

PAN SIZE	FULL SIZE 12 3/4" x 20 3/4"			2/3 SIZE 13 3/4" x 12 3/4"			1/2 SIZE 12 3/4" x 10 3/8"			1/2 SIZE LONG 20 3/4" x 6 7/16"			1/3 SIZE 12 3/4" x 6 7/8"			1/4 SIZE 10 3/8" x 6 3/8"			1/6 SIZE 6 7/8" x 6 1/4"			1/9 SIZE 6 3/4" x 4 1/4"	
	2-1/2"	4"	6"	2-1/2"	4"	6"	2-1/2"	4"	6"	2-1/2"	4"	6"	2-1/2"	4"	6"	2-1/2"	4"	6"	2-1/2"	4"	6"	2-1/2"	4"
Cups	36	60	88	24	40	57	16	28	40	16	28	40	10.5	18	26	6.4	12	19	10.5	18	26	2.5	5
Quarts	9	15	22	6	10	14.25	4	7	10	4	7	10	2.6	4.5	6.5	1.6	3	4.75	2.6	4.5	6.5	.63	1.25

- Pans by others. Full complement of 1/6 size pans, 4" deep, and divider bars are included. Pan sizes are industry standard, but actual sizes may vary slightly by manufacturer.

FULL SIZE PAN EQUIVALENCY CHART



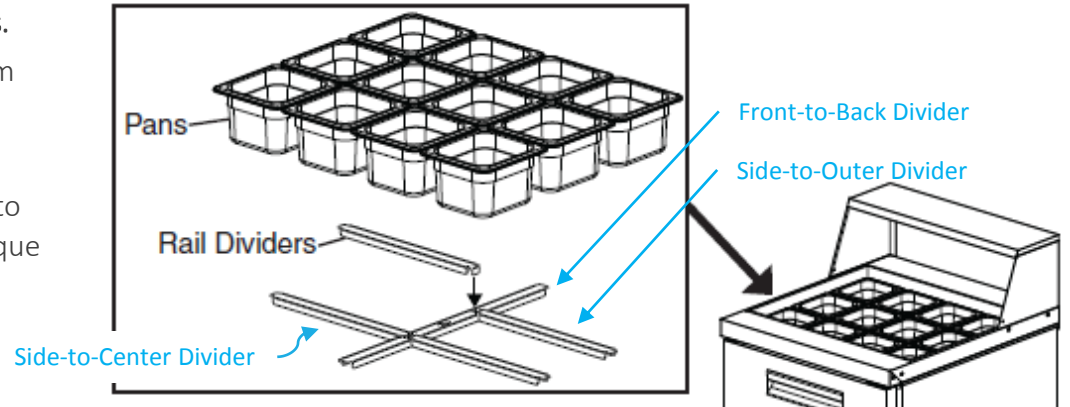
- Additional divider bars may be required to accommodate above pan layouts (Individual divider bars sold as Accessories).

➡ Divider bars on the back...



Center divider bars have notches to accept interlocking side divider bars.

- Provides stability for pan placement by preventing side bars from sliding out of position that could allow pans to fall into cabinet below.
- Increased flexibility for user because center notches allow user to easily re-configure bars to accept desired pan sizes for their unique menu.
- Made of high quality stainless steel insures long life.



↪ Pan Capacity on the front...

Front-to-Back Divider



HS-5184 – All Mega Top models
One divider bar per kit

Side-to-Outer Divider



HS-5185 – All Mega Top models
One divider bar per kit

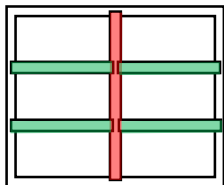
Side-to-Center Divider



HS-5186 – 15M, 18M & 30M
One divider bar per kit

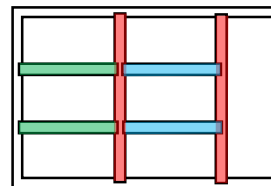
INCLUDED DIVIDER BARS

CRMR27-12M, CRMR48-12M, CRMR60-12M



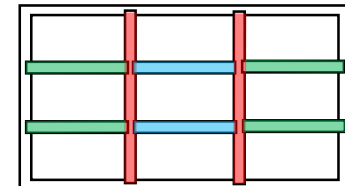
- (1) **HS-5184**: Front-to-Back Divider (20-3/4"; 526 mm)
- (4) **HS-5185**: Side-to-Outer Divider (12-1/2"; 319 mm)

CRMR36-15M



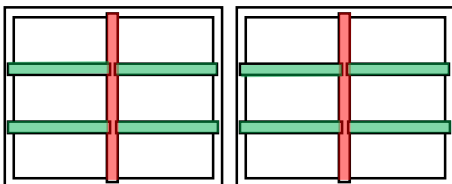
- (2) **HS-5184**: Front-to-Back Divider (20-3/4"; 526 mm)
- (2) **HS-5185**: Side-to-Outer Divider (12-1/2"; 319 mm)
- (2) **HS-5186**: Side-to-Center Divider (12-1/2"; 316 mm)

CRMR48-18M, CRMR60-18M, CRMR72-18M



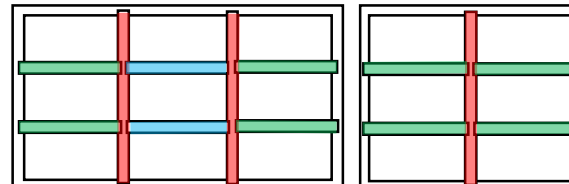
- (2) **HS-5184**: Front-to-Back Divider (20-3/4"; 526 mm)
- (4) **HS-5185**: Side-to-Outer Divider (12-1/2"; 319 mm)
- (2) **HS-5186**: Side-to-Center Divider (12-1/2"; 316 mm)

CRMR60-24M, CRMR72-24M



- (2) **HS-5184**: Front-to-Back Divider (20-3/4"; 526 mm)
- (8) **HS-5185**: Side-to-Outer Divider (12-1/2"; 319 mm)

CRMR72-30M



- (3) **HS-5184**: Front-to-Back Divider (20-3/4"; 526 mm)
- (8) **HS-5185**: Side-to-Outer Divider (12-1/2"; 319 mm)
- (2) **HS-5186**: Side-to-Center Divider (12-1/2"; 316 mm)