



CFIS-FGY

Commercial Series Glass Door Freezers



CFIS-FGY
11/30/15
Item # 13378



- Stainless steel interior with stainless steel exterior front and sides
- Refrigerant flow is controlled with a thermostatic expansion valve (TXV)
- Unique “ducted” air distribution system
- Energy efficient fluorescent light with independent on/off switch
- Solid state digital controller with temperature alarms and LED display (Fahrenheit or Celsius)
- Cabinet is insulated with 2-3/8” of CFC free, foamed in place polyurethane
- Glass doors are energy efficient Multi Pane, Argon filled with locks
- Spring assisted self closing doors with stay open feature
- Sturdy 8 gauge stainless steel hinge plate with welded hinge pin
- One piece, full length, chrome handle
- Field reversible doors (with optional kit)
- Evaporator coils are epoxy electrocoated (E-Coat) to help fight corrosion
- Energy efficient automatic hot gas condensate evaporator
- Stainless steel shelf supports
- (3) epoxy coated wire shelves per section are standard
- Standard with 4” casters (two with brakes)
- Stackable (two units high) to conserve warehouse floor space
- Three years parts and labor warranty
- Five year compressor warranty
- 8 ft. cord and plug

* CFIS-FGY is ENERGY STAR qualified

Dimensions / Capacity

| Model # | One Section CFIS-FGY |
|---------------------------------------|----------------------|
| Interior Storage Capacity (CF) | 23.3 ft ³ |
| Interior Storage Capacity (CF) (AHAM) | 20.9 ft ³ |
| Overall Width x Depth | 27.5" x 33.75" |
| Height (including 4" casters) | 79.75" |
| Door Opening Width x Height | 22" x 59.50" |
| Depth with Door Open at 90° | 57.25" |
| Adjustable Shelves | 3 |
| Shelf Dimensions (W x D) | 21.25" x 26" |
| Crated Shipping Weight | 360 lbs |
| Crated Height x Width x Depth | 83" x 31.5" x 39.5" |

Electrical / Refrigeration Data

| Model # | One Section CFIS-FGY |
|--------------------------------------|----------------------|
| Amperage | 9 |
| Energy Consumption (kwh/day) @ASHRAE | 9.6 |
| Heat Rejection (BTU/Hr.) @NSF | 1450 |
| Approx. Nominal Compres. BTU/HR (HP) | 2466 (1/2HP) |

Hoshizaki America, Inc. reserves the right to change specifications without notice.

Item #

Project:

Qty:

*AutoCad available on KCL

CFIS-FGY Dimensions W x D x H

1 Section - 27.5" x 33.75" x 79.75"*

*with 4" casters

Electrical/Refrigeration

Voltage 115/60/1

HACR Breaker

1 Section - 15.0 Amps

Electrical Connection (NEMA)

1 Section - 5-15P

Voltage Range 104-126

Ambient Temp. Range 45° to 80°F

Control Setpoint Range -10° to +12°F

Refrigerant R-404A

Warranty

Valid in United States, Canada, Puerto Rico, and U.S. Territories. Contact factory for warranty in other countries.

- Three Year - Parts & Labor on entire machine.
- Five Year - Parts on: Compressor.

Options

- Door reversal kit
- Additional epoxy shelves
- Stainless steel shelves
- Tray/Pan slides
- Air filter



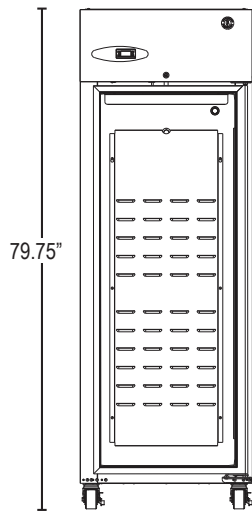
© HOSHIZAKI AMERICA, INC.

618 Hwy, 74 S., Peachtree City, GA 30269
TEL 800-438-6087
FAX 800-345-1325
www.hoshizaki.com

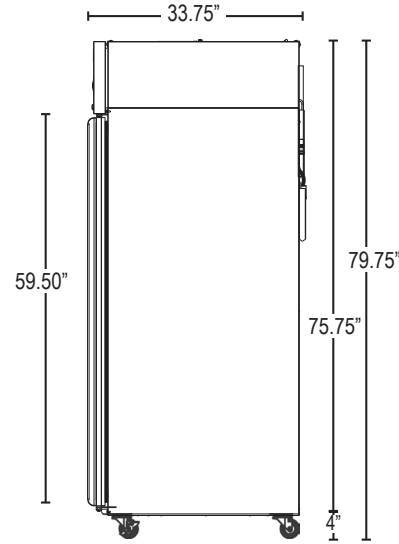


CFIS-FGY

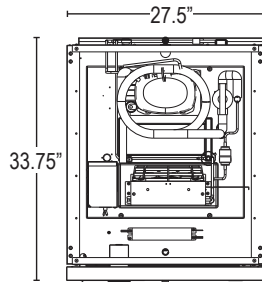
Commercial Series Glass Door Freezers



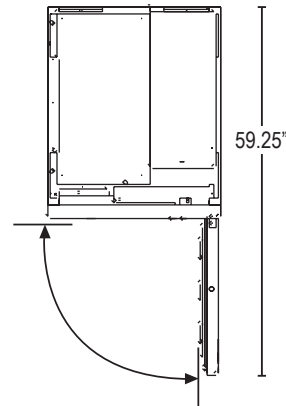
FRONT VIEW



SIDE VIEW



PLAN VIEW



Cabinet Construction

The exterior cabinet front, and sides, are constructed of high quality stainless steel. The exterior top, back, and bottom are constructed of coated steel. The cabinet interior is constructed of stainless steel with a unique "ducted" air flow system. Three (3) heavy duty epoxy coated shelves per section are standard. Mounted on stainless steel pilasters shelves are adjustable in 1" increments. Cabinet walls and doors are insulated with 2-3/8" of environmentally friendly, CFC free, foamed in place polyurethane. An interior fluorescent light is provided with independent on/off switch. 4" polyolefin casters (two with brakes) are standard.

Door Construction

Glass doors are constructed of high grade silver anodized aluminum with a full length chrome handle. Door glass is energy efficient multi pane, argon filled with locks. The door hinges are all metal and include an adjustable torsion spring closure that will not wear out like traditional cam-lift hinges. Hinge plates are constructed of heavy duty stainless steel. Doors stay open at 90° and are self-closing at 75°. Snap-in magnetic door gaskets are durable and easily removed for cleaning. Door hinging is field reversible (with an optional door reversal hinge kit).

Refrigeration System

The high efficiency refrigeration system is self-contained with an epoxy electrocoated (E-Coat) evaporator for extended life. Top mounted refrigeration system is easily accessible for service. The refrigeration system components are assembled on a high density expanded polypropylene platform that is removable from the main unit. A unique ducted air flow system achieves uniform air distribution within the cabinet to eliminate hot spots. Condensate removal is accomplished with an energy efficient non-electric evaporation system. A thermostatic expansion valve (TXV) controls the flow of environmentally friendly R-404A refrigerant through the evaporator. Refrigeration system utilizes a heated defrost to eliminate any ice on the evaporator coil. Solid state digital controls monitor the operation and performance of the refrigeration system. The controls also provide visual high and low temperature and high and low voltage alarms. A LED display shows the cabinet temperature and is adjustable to Fahrenheit or Celsius. 115 volt units are equipped with an eight foot cord and plug (20.0 amps or less).