



CRMF48-WD4

Commercial Series Worktop Freezer with Drawers



CRMF48-WD4
08/29/17
Item # 13364

W x D x H
48" x 30" x 40"*
*with 6" casters

CRMF48-WD4



Dimensions / Capacity

Two Section CRMF48-WD4

Interior Storage Capacity (CF)	13.66 ft ³
Interior Storage Capacity (CF) (AHAM)	11.95 ft ³
Overall Width x Depth (including 1" bumper)	48" x 31"
Height (including 6" casters)	40"
Door Opening Width x Height	19.5" x 22.9"
Depth with Drawer Fully Open (including 1" bumper)	50.25"
Pan Capacity	(1) 1/2 size and (1) 1/3 size, 6" deep
Crated Weight	263 lbs.
Crated Width x Depth x Height	52.5" x 34" x 40.5"

Electrical / Refrigeration

Two Section CRMF48-WD4

Voltage	115/60/1
HACR Breaker	15.0 Amps
Electrical Connection (NEMA)	5-15P Ⓢ
Voltage Range	104-126
Ambient Temp. Range	45° to 100°F
Control Setpoint Range	-10° to 10°F
Amperage	6
Energy Consumption (kWh/day) @NSF	6.6
Heat Rejection (BTU/Hr.) @NSF	945
Approx. Nominal Compres. BTU/HR (HP)	1527(1/3HP)
Refrigerant / Charge Amount (oz)	R-134a (9.2 oz)

Options

Warranty

- 2.25" Casters
- 4" Casters
- 6" Legs
- Overshelves
- Stainless steel back
- Drawer divider bars

* 3 Year - parts and Labor on entire machine.
5 Year - Parts on Compressor
Valid in United States, Canada, Puerto Rico and U.S. Territories. Contact factory for warranty in other countries.

Item #: _____
Project: _____
Qty: _____
AIA#: _____

Features

- ▶ Engineered to maintain NSF-7 temperatures in 100°F ambient.
- ▶ Stainless steel exterior front, sides, and top with stainless steel interior sides, back, and floor
- ▶ Front breathing air flow design
 - Cabinet and drawers are insulated with 2" CFC free, foamed in place polyurethane
 - Drawer slides are constructed of 16 gauge stainless steel with acetal rollers
 - Drawers will accommodate (1) 1/2 and (1) 1/3 size pans, 6" deep (pan by others)
 - Extruded aluminum flush mount drawer handle
 - Magnetic drawer gasket is easily removable for cleaning
 - Enamel coated evaporator coil
 - Standard with 6" casters (two with brakes)
- Three year parts and labor warranty
- Five year compressor warranty
- 8 ft. cord and plug



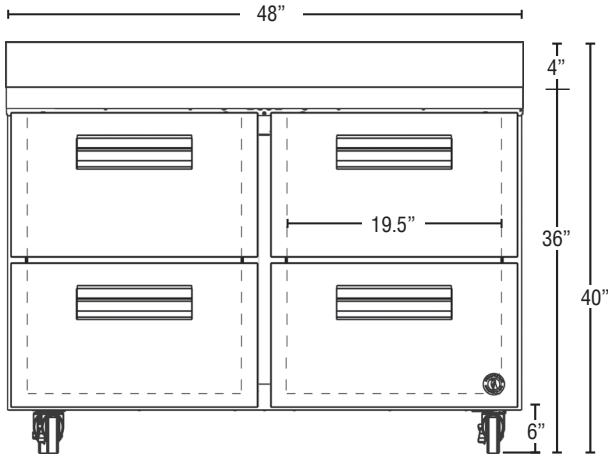
CRMF48-WD4

Commercial Series Worktop Freezer with Drawers



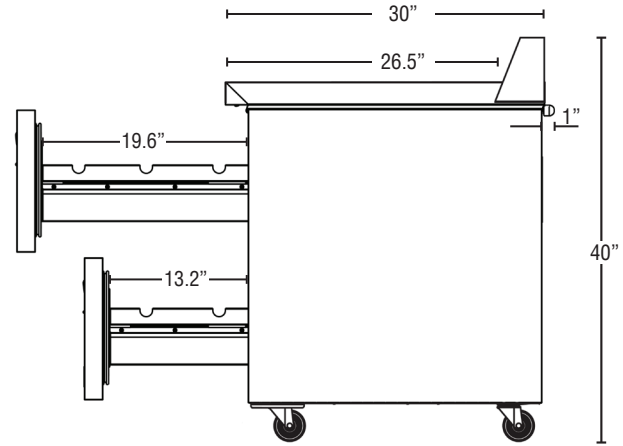
CRMF48-WD4
08/29/17
Item # 13364

FRONT VIEW



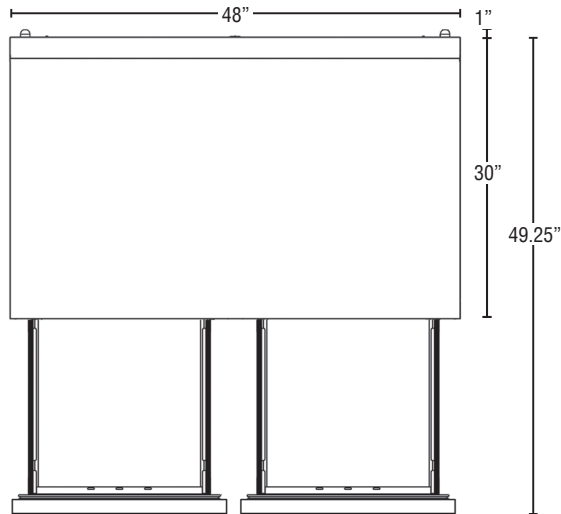
CRMF48-WD4

SIDE VIEW



CRMF48-WD4

PLAN VIEW



CRMF48-WD4

Cabinet Construction

The exterior cabinet top, front, and sides, are constructed of high quality stainless steel. The exterior back and bottom are constructed of coated steel. The cabinet interior features stainless steel back, sides, and floor with a stainless steel top. One heavy duty epoxy coated shelf per section is standard. Mounted on anodized aluminum pilasters the shelves are adjustable in 1/2" increments. Cabinet walls and doors are insulated with 2" of environmentally friendly, CFC free, foamed in place polyurethane. 6" polyolefin, stem casters (two with brakes) are standard.

Drawer Construction

Drawer fronts are constructed of high grade stainless steel inside and out and are insulated with R-134a CFC free foamed in place polyurethane. Each drawer accommodates (1) 1/2 size and (1) 1/3 size pan per drawer, 6" deep (pans by others). Drawer frames are formed of 14 gauge stainless steel and securely fastened in the cabinet. The drawer slides are 16 gauge stainless steel with acetal rollers to prevent metal to metal contact between the drawer slides and reduce wear. The drawer slides have a dynamic load capacity of 175 lbs. and have been life tested (fully loaded) three hundred thousand openings and closings without showing significant wear. The flush mount handles are constructed of extruded aluminum. Snap-in magnetic drawer gaskets are durable and easily removed for cleaning.

Refrigeration System

The high efficiency refrigeration system is self-contained with an enamel coated evaporator for extended life. Condensate removal is accomplished with an energy efficient non-electric evaporation system. A capillary tube controls the flow of environmentally friendly R-134a refrigerant through the evaporator. Unit is provided with automatic time heated defrost to remove any ice on the evaporator coil. 115 volt units are equipped with an eight foot cord and plug (20.0 amps or less).

Printed in the U.S.A.