



CRMR48-18MD2/CRMR60-24MD2

Commercial Series Mega Top Refrigerator
with Two Drawers and One Door



CRMR48-18MD2
CRMR60-24MD2
04/01/17
Item # 13415

W x D x H
48" x 30" x 45.25"*
*with 6" casters

W x D x H
60" x 30" x 45.25"*
*with 6" casters

CRMR48-18MD2

CRMR60-24MD2



Dimensions / Capacity

	Two Section	
	CRMR48-18MD2	CRMR60-24MD2
Interior Storage Capacity (CF)	13.66 ft ³	17.6 ft ³
Interior Storage Capacity (CF) (AHAM)	11.95 ft ³	16.6 ft ³
Overall Width x Depth (including 1" bumper)	48" x 31"	60" x 31"
Height (including 6" casters)	45.25"	45.25"
Depth with Cutting Board Installed	37.3"	37.3"
Door Opening Width x Height	19.5" x 23"	25.5" x 23"
Depth with Drawer Fully Open (including 1" bumper)	50.25"	50.25"
Depth with Door Open at 90° (including 1" bumper)	52.5"	58.5"
Pan Capacity (# of 1/6 size x 4" deep) Max. Pan Depth 6"	18	24
Adjustable Shelves / Shelf Dimensions (WxD)	(1) / 21.25" x 16"	(1) / 27.25" x 16"
Crated Weight	242 lbs.	335 lbs.
Crated Width x Depth x Height	52.5" x 34" x 45.75"	64.5" x 34" x 45.75"

Electrical / Refrigeration

	Two Section	
	CRMR48-18MD2	CRMR60-24MD2
Voltage	115/60/1	115/60/1
HACR Breaker	15.0 Amps	15.0 Amps
Electrical Connection (NEMA)	5-15P Ⓢ	5-15P Ⓢ
Voltage Range	104-126	104-126
Ambient Temp. Range	45° to 100°F	45° to 100°F
Control Setpoint Range	32° to 52°F	32° to 52°F
Amperage	2.6	6.0
Energy Consumption (kWh/day) @NSF	4.0	3.9
Heat Rejection (BTU/Hr.) @NSF	567	556
Approx. Nominal Compress. BTU/HR (HP)	1029(1/6HP)	2607(1/3HP)
Refrigerant / Charge Amount (oz)	R-134a (6.5 oz)	R-134a (8.8 oz)

Options

- 2.25" Casters
- 4" Casters
- Stainless steel lift off covers
- Additional Epoxy Shelves
- Stainless steel back
- Overshelves
- Drawer divider bars
- Rail adapter bars

Warranty

* 3 Year - parts and Labor on entire machine.
5 Year - Parts on Compressor
Valid in United States, Canada, Puerto Rico and U.S. Territories. Contact factory for warranty in other countries.

Item #: _____
Project: _____
Qty: _____
AIA#: _____

Features

- ▶ Engineered to maintain NSF-7 temperatures in 100°F ambient. (Certified to NSF-7 temperatures in 86°F ambient.)
- ▶ Stainless steel exterior front, sides and top
- ▶ Stainless steel interior sides and back with stainless steel interior floor
- Cabinet, doors, and drawers are insulated with 2" CFC free, foamed in place polyurethane
- Front breathing air flow design
- Innovative air distribution system distributes air evenly to maintain product temperature
- Drawer slides are constructed of 16 gauge stainless steel with acetal rollers
- Drawer frames are formed of 14 gauge stainless steel and securely fastened in the cabinet
- CRMR48-18MD2: Drawers will accommodate (1) 1/2 and (1) 1/3 size pans 6" deep (pans by others)
- CRMR60-24MD2: Drawers will accommodate (1) full size pan 6" deep (pans by others)
- Provided with a full complement of polycarbonate plastic 1/6th size pans, 4" deep and adapter bars
- Rails will also accept 6" deep pans for 50% more pan volume
- Full length, 10" deep, 1/2" thick white polyethylene cutting board is standard
- One epoxy coated shelf per door section is standard
- Extruded aluminum flush mount drawer handle
- Magnetic door gasket is easily removable for cleaning
- Enamel coated evaporator coil
- Standard with 6" stem casters (two with brakes)
- Three year parts and labor warranty
- Five year compressor warranty
- 8 ft. cord and plug

Note: Made to order. Allow 4-6 weeks.



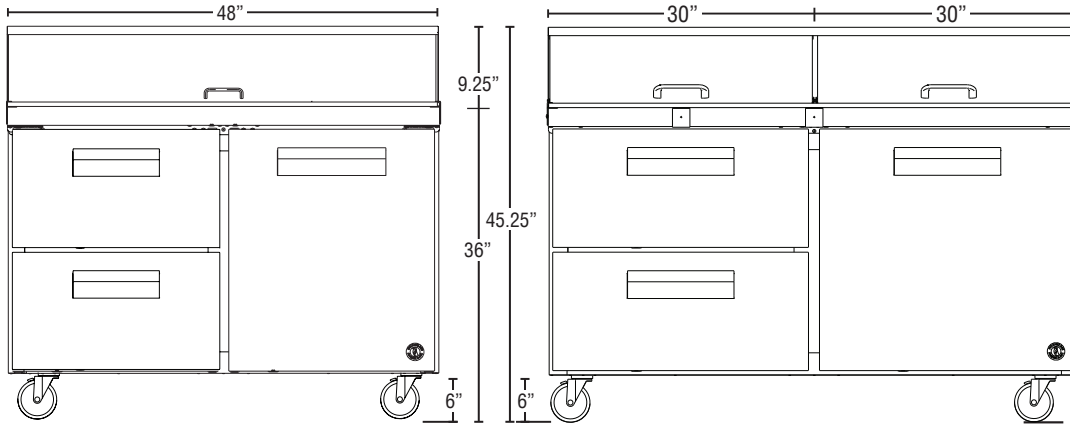
CRMR48-18MD2/CRMR60-24MD2

Commercial Series Mega Top Refrigerator with Two Drawers and One Door



CRMR48-18MD2
CRMR60-24MD2
04/01/17
Item # 13415

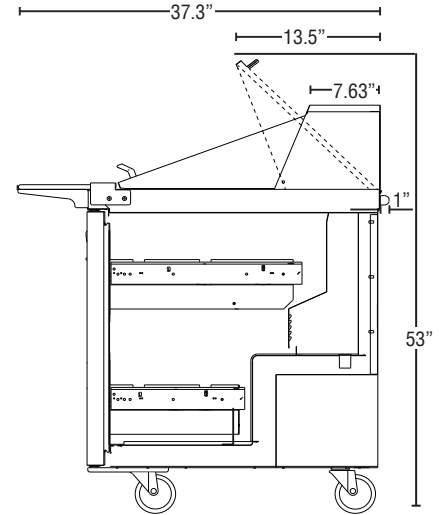
FRONT VIEW



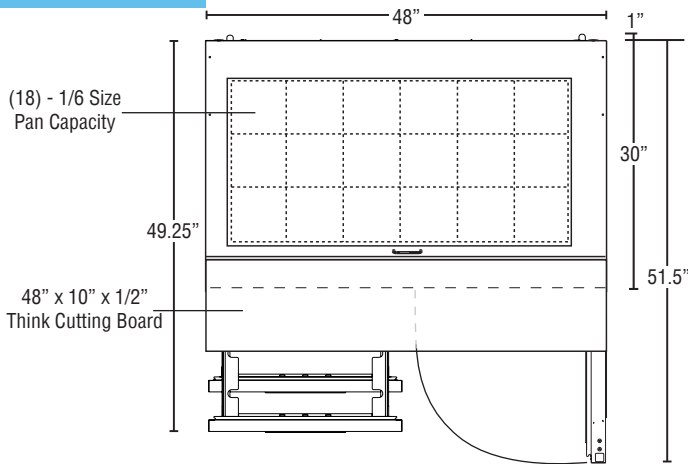
CRMR48-18MD2

CRMR60-24MD2

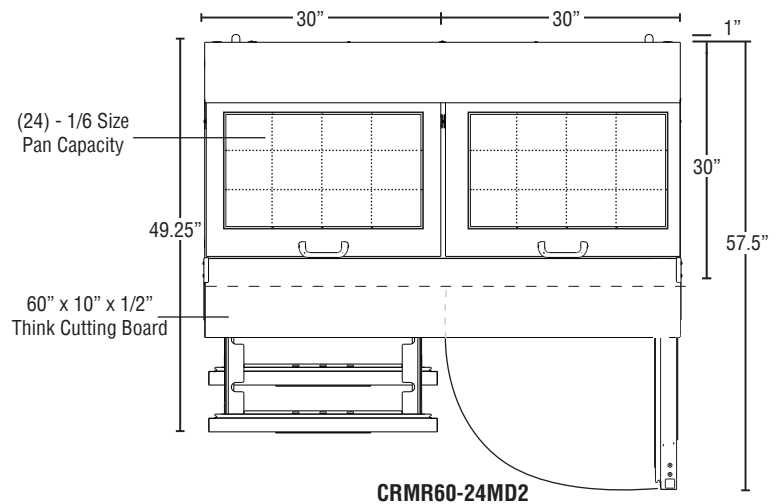
SIDE VIEW



PLAN VIEW



CRMR48-18MD2



CRMR60-24MD2

Cabinet Construction

The exterior cabinet top, front, and sides, are constructed of high quality stainless steel. Cabinet is provided with a stainless steel top enclosure and an easily removable stainless steel insulated lift-up cover. The exterior back and bottom are constructed of coated steel. The cabinet interior back and sides are stainless steel with an ABS ceiling and stainless steel floor. Cabinet walls and drawers are insulated with 2" of environmentally friendly, CFC free, foamed in place polyurethane. 6" polyolefin, stem casters (two with brakes) are standard. Preparation tables are supplied with a full length, 10" deep x 1/2" thick N.S.F. approved white polyethylene cutting board.

Drawer Construction

Drawer fronts are constructed of high grade stainless steel inside with stainless steel interior liners and are insulated with R-134a CFC free foamed in place polyurethane. CRMR48-18MD2 drawers will accommodate (1) 1/2 & (1) 1/3 size pans, 6" deep (pans by others). CRMR60-24MD2 drawers will accommodate (1) full size pan per drawer, 6" deep (pans by others). Drawer frames are formed of 14-gauge stainless steel and securely fastened in the cabinet. The drawer slides are constructed of heavy duty 16-gauge stainless steel and durable acetal rollers with stainless steel ball bearings to prevent metal to metal contact. The drawer slides have a dynamic load capacity of 175 lbs. and have been life tested (fully loaded) three hundred thousand openings and closings without showing significant wear.

Door Construction

Doors are constructed of high grade stainless steel exterior with an ABS interior liner. Hoshizaki's exclusive "stepped" design protects the gasket while product is removed from the cabinet. Spring assisted self-closing doors are equipped with a stay open feature past 90 degrees. Field reversible door hinging is standard.

Doors & drawers are provided with a one piece, extruded aluminum, flush mount handle. Snap-in magnetic door gaskets are durable and easily removed for cleaning.

Refrigeration System

Front breathing refrigeration system allows unit to be built into any enclosure with zero side or rear clearance. The high efficiency refrigeration system is self-contained with an enamel coated evaporator for extended life. Condensate removal is accomplished with an energy efficient non-electric evaporation system. A capillary tube controls the flow of environmentally friendly R-134A refrigerant through the evaporator. Refrigeration system utilizes a heated defrost to eliminate any ice on the evaporator coil. An innovative air distribution system distributes air evenly around the pans. Engineered to maintain NSF-7 temperatures in 100°F ambient. (Certified to NSF-7 temperatures in 86°F ambient.) Preparation tables are supplied with a full complement of N.S.F. approved plastic 1/6 size pans, 4" deep and stainless steel adapter bars. Units will also accommodate 6" deep pans. Pans are located 1.5" below the top to keep food product within easy reach. 115 volt units are equipped with an eight foot cord and NEMA rated plug (20.0 amps or less).

Printed in the U.S.A.