



DCM-270BAH-OS

OPTI-SERVE SERIES SANITARY CUBELET ICE MACHINE/DISPENSER



DCM-270BAH-OS
02/10/20
Item # 13159

Item #: _____
Project: _____
Qty: _____
AIA#: _____

W x D x H
16⁹/₁₆" x 24¹/₈" x 31¹¹/₁₆" *
*with 4" legs

SD-270
16¹/₂" x 24" x 35³/₁₆"

Ice Machine Shipping Dimensions
30¹/₂" x 20³/₄" x 37¹/₂"


DCM-270BAH-OS
Air-Cooled
Shown with optional
SD-270 Stand


*SD-270 door is reversible

**Hands-free sensor designed for use
with opaque containers.
Not intended for outdoor use - avoid
placement in direct sunlight.*



Features

- ▶ Durable stainless steel exterior
- ▶ Advanced CleanCycle24™ design 
- ▶ Stainless steel auger with greaseless bearing

- Up to 288 lbs. of ice production per 24 hours
- Built-in storage capacity of 0.3ft³/10 lbs.*
- 2 second flush cycle every hour
- Easy to chew, cubelet ice
- Sealed LED housing prevents moisture from entering, eliminating the possibility of an electrical short
- Self-contained design reducing opportunities for cross contamination
- Flush cycle removes sediment for cleaner ice
- Protected by H-GUARD Plus Antimicrobial Agent 
- Dispenses ice and water
- 6 ft. cord with a NEMA 5-15 plug
- R-404A Refrigerant

Warranty:

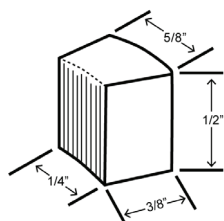
3 Year Parts & Labor on entire machine. 5 Year Parts on Compressor; air-cooled condenser coil. Valid in United States, Canada, Puerto Rico and U.S. Territories. Contact factory for warranty in other countries.

*Rated in accordance with AHRI Standard 820(I-P). Capacity based on 100% of total volume x 30 lb/ft³ average density of ice.



Condenser	Model	ICE PRODUCTION		WATER USAGE		ELECTRICAL			Heat Rejection BTU/hr.	Refrigerant Charge Amount	Net / Ship Weight (lbs.)	
		Air / Water Temp Lbs. per 24 hours 70°/ 50°F 90°/ 70°F		Potable Gal. per 100 lbs. 90°/ 70°F	Condenser Gal. per 100 lbs. 90°/ 70°F	kWh Used per 100 lbs. 90°/ 70°F	Max. Fuse Size or HACR Circuit Breaker	Amperage				Voltage
Air-Cooled	DCM-270BAH-OS	288	220	12.0	N/A	7.3	15A	8.5A	115V/60/1	3,532	14.8 oz	152 / 170

Cubelet Dimensions*



* approximate size in inches, image not to scale

Operating Limits

- Ambient Temp Range 45 - 100°F
- Water Temp Range 45 - 90°F
- Water Pressure 10 - 113 PSIG
- Voltage Range 104 - 127V

Service

- Allow 6" (15cm) clearance at rear and left side, 10" (25cm) at right side, and 20" (51cm) at top for proper air circulation and ease of maintenance/ service should they be required.

Not intended for outdoor use - avoid placement in direct sunlight.

Plumbing

- Icemaker Water Supply Line: Minimum 1/4" Nominal ID Copper Water Tubing or Equivalent
- Icemaker Drain Line: Minimum 3/4" Nominal ID Hard Pipe or Equivalent

Water Filter

Please refer to water filter specification sheet for recommendations.

Hoshizaki reserves the right to change specifications without notice.



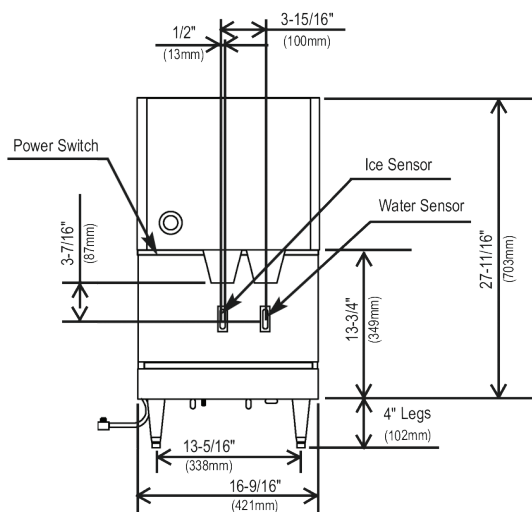
DCM-270BAH-OS

OPTI-SERVE SERIES SANITARY CUBELET ICE MACHINE/DISPENSER



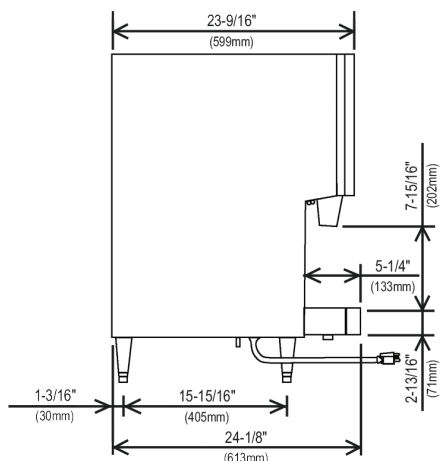
DCM-270BAH-OS
02/10/20
Item # 13159

FRONT VIEW



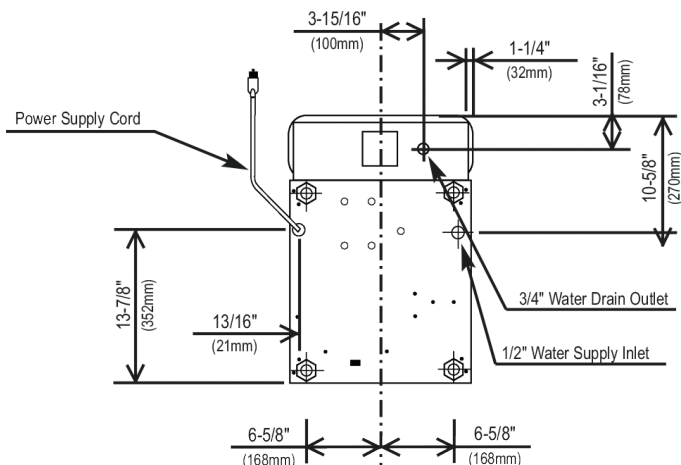
AIR-COOLED

SIDE VIEW



AIR-COOLED

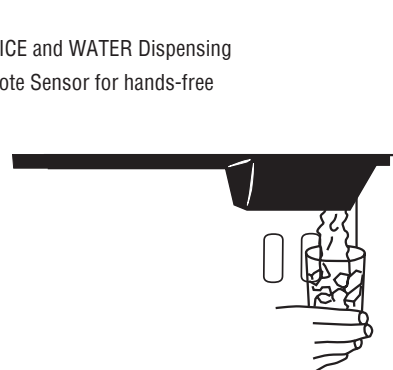
BOTTOM VIEW



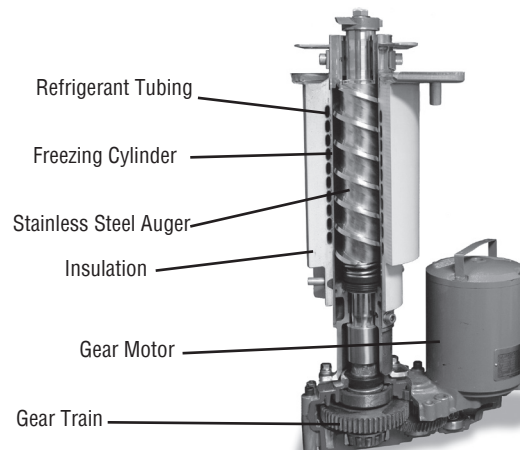
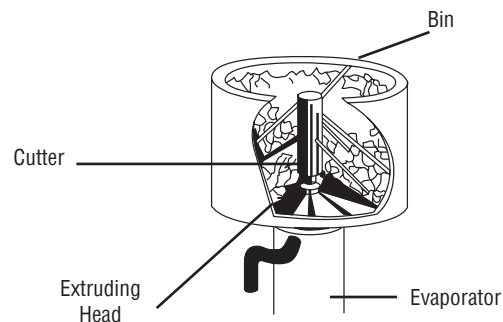
AIR-COOLED

inch
[mm]

- Separate ICE and WATER Dispensing
- LED Remote Sensor for hands-free operation



Flaked ice compacted into cubelets by extruding head cutter and stored in an insulated bin with continuous agitation during dispensing and direct dispensing auger



EVAPORATOR

- Circuit breaker or fuse protects gear motor from overload.
- Gear motor runs one minute after termination of ice making to clear all ice from evaporator.