



DCM-751B_H

SANITARY CUBELET ICE MACHINE/DISPENSER



DCM-751B_H
03/31/17
Item # 13290

Item #: _____
 Project: _____
 Qty: _____
 AIA#: _____


- W x D x H**
34^{1/16}" x 28^{1/2}" x 48^{1/16}"*
- SD-700**
34^{1/4}" x 28^{1/4}" x 32^{1/2}"
- SD-750**
34" x 28" x 32^{3/4}"




DCM-751BAH
Air-Cooled
Shown with optional
SD-750 Stand

DCM-751BWH
Water-Cooled

Features

- ▶ Durable stainless steel exterior
- ▶ Advanced CleanCycle24™ design 
- ▶ Stainless steel auger with greaseless bearing

- Up to 801 lbs. of ice production per 24 hours, with 70 lbs.* built-in storage
- 2 second flush cycle every hour
- Easy to chew, cubelet ice
- Self-contained design reducing opportunities for cross contamination
- Flush cycle removes sediment for cleaner ice
- Protected by H-GUARD Plus Antimicrobial Agent 
- Removable air filters (Air-cooled model only)
- Dispenses ice and water
- R-404A Refrigerant

Warranty:

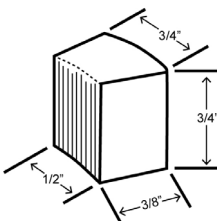
3 Year Parts & Labor on entire machine.
 5 Year Parts on Compressor; air-cooled condenser coil.
 Valid in United States, Canada, Puerto Rico and U.S. Territories. Contact factory for warranty in other countries.

*Rated in accordance with AHRI Standard 820 (I-P)



| Condenser | Model | ICE PRODUCTION | | | WATER USAGE | | | ELECTRICAL | | | Heat Rejection BTU/hr. | Shipping Weight | ENERGY STAR® |
|--------------|------------|--|-----------|-------------------------------|-------------------------------------|---------------------------------------|---------------------------------|--|----------|-----------|------------------------|-----------------|--------------|
| | | Air / Water Temp Lbs. per 24 hours 70°/ 50°F | 90°/ 70°F | Type of Ice (Hardness Rating) | Potable Gal. per 100 lbs. 90°/ 70°F | Condenser Gal. per 100 lbs. 90°/ 70°F | kWh Used per 100 lbs. 90°/ 70°F | Max. Fuse Size or HACR Circuit Breaker | Amperage | Voltage | | | |
| Air-Cooled | DCM-751BAH | 801 | 583 | Cubelet (90) | 12.0 | N/A | 5.94 | 20A | 7.3A | 115V/60/1 | 9,300 | 345 lbs. | |
| Water-Cooled | DCM-751BWH | 782 | 678 | Cubelet (84.1) | 12.0 | 96 | 4.76 | 20A | 7.9A | 115V/60/1 | 7,600 | 345 lbs. | |

Cubelet Dimensions*



* approximate size in inches, image not to scale

Operating Limits

- Ambient Temp Range 45 - 100°F
- Water Temp Range 45 - 90°F
- Water Pressure 10 - 113 PSIG
- Voltage Range 104 - 127V

Service

- Allow 6" (15 cm) clearance at rear and sides for proper air circulation and ease of maintenance/ service should they be required. Allow 24" (61 cm) clearance at top to allow for removal of the auger.

Plumbing

- Icemaker Water Supply Line: Minimum 1/4" Nominal ID Copper Water Tubing or Equivalent
 - Icemaker Drain Line: Minimum 3/4" Nominal ID Hard Pipe or Equivalent
- Water-Cooled Model (Lines Must Be Independent of Icemaker)
- Condenser Water Supply Line: Minimum 1/4" Nominal ID Copper Water Tubing or Equivalent
 - Condenser Drain/Return Line: Minimum 1/4" Nominal ID Hard Pipe (open drain system) or Copper Water Tubing (closed loop system) or Equivalent



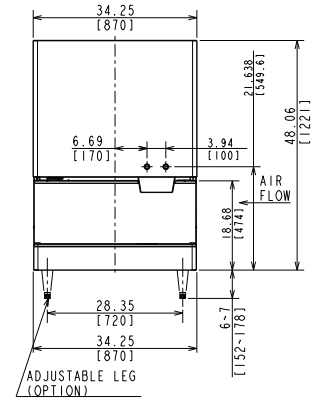
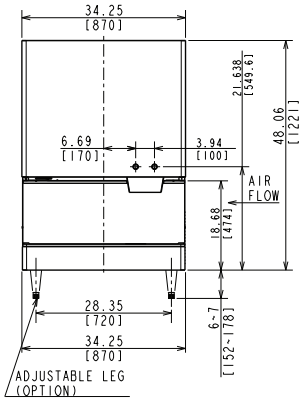
DCM-751B_H

SANITARY CUBELET ICE MACHINE/DISPENSER



DCM-751B_H
03/31/17
Item # 13290

FRONT VIEW

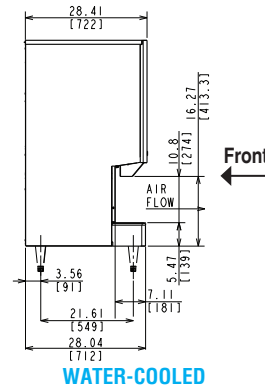
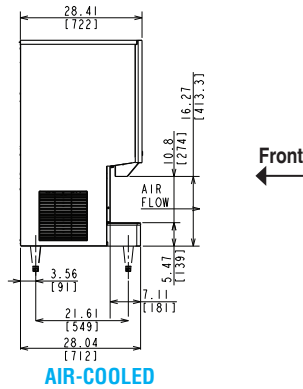


inch
[mm]

AIR-COOLED

WATER-COOLED

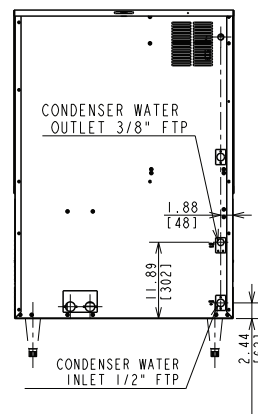
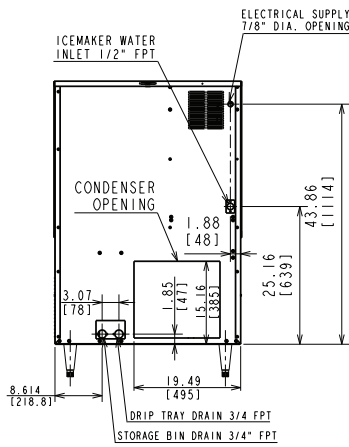
SIDE VIEW



AIR-COOLED

WATER-COOLED

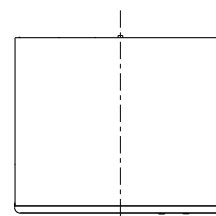
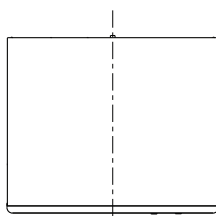
REAR VIEW



AIR-COOLED

WATER-COOLED

TOP VIEW



Front ↑
AIR-COOLED

Front ↑
WATER-COOLED