

DCM-751B_H-OS

OPTI-SERVE SERIES

SANITARY CUBELET ICE MACHINE/DISPENSER

Item # _____

Project: _____

Qty: _____

*AutoCad available on KCL

DCM-751B_H-OS

5/1/15

Item #13291

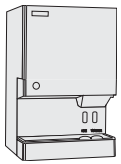
DIMENSIONS

W x D x H

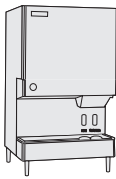
DCM-751B_H-OS
34^{1/16} x 28^{1/2} x 48^{1/16}

SD-700
34^{1/4} x 28^{1/4} x 32^{1/2}

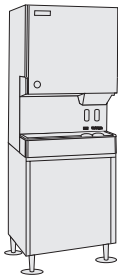
SD-750
34 x 28 x 32^{3/4}



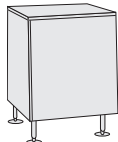
DCM-751
Countertop



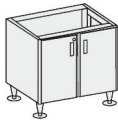
DCM-751
Countertop
with optional
6" legs



DCM-751
Floor Model
with optional
stand



SD-700
optional
stand



SD-750
optional
stand



DCM-751BAH-OS

Air-Cooled
Shown on an optional
SD-750 Stand

DCM-751BWH-OS

Water-Cooled

DCM-751B_H-OS

- Advanced CleanCycle24™  CleanCycle
- LED Remote sensor for hands-free operation
- Sealed LED housing prevents moisture from entering, eliminating the possibility of an electrical short
- Corrosion resistant stainless steel exterior
- Up to 801 lbs. of ice production per 24 hours, with 95 lbs. built-in storage
- Easy to chew, cubelet ice
- Self contained design reducing opportunities for cross contamination
- Dispenses ice and water
- Removable air filters (Air-cooled model only)
- Protected by H-GUARD Plus Antimicrobial Agent 
- R-404A Refrigerant

SD-700 Stand / SD-750 Stand

- Heavy duty stand for floor model icemaker/dispenser
- Corrosion resistant stainless steel exterior
- Easy cleaning with attractive appearance
- Locking doors standard on SD-750



*Hands-free sensor designed for use with opaque containers. Not intended for outdoor use - avoid placement in direct sunlight.

Warranty

Valid in United States, Canada, Puerto Rico, & U.S. Territories. Contact factory for warranty in other countries.

Three Year - Parts & Labor on entire machine. (Serial numbers Vxxxxxj) and after.)

Five Year - Parts on: Compressor, air-cooled condenser.



DCM-75IB_H-OS SANITARY CUBELET ICE MACHINE/DISPENSER - OPTI-SERVE SERIES

DIMENSIONS

W x D x H		
DCM-75IB_H-OS	$34\frac{1}{16}''$	$28\frac{1}{2}''$ x $48\frac{1}{16}''$
SD-700	$34\frac{1}{4}''$	$28\frac{1}{4}''$ x $32\frac{1}{2}''$
SD-750	$34''$	$28''$ x $32\frac{3}{4}''$

- Hands-free ice machine/dispenser
- Optional stand
- Optional stand with locking doors

AIR-COOLED

Water Temp° F.	50°	70°	90°	
Air Temp° F.	70°	801	757	725
	80°	695	666	639
	90°	612	583	562

WATER-COOLED

Water Temp° F.	50°	70°	90°	
Air Temp° F.	70°	782	767	745
	80°	724	703	683
	90°	664	678	627

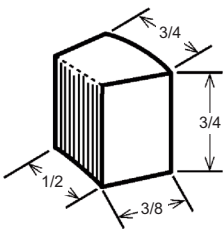
UTILITY CONSUMPTION

Model Number	KWH per 100 LBS. 90/70	Potable Water Gal. per 100 lbs.	Condenser Water Gal. per 100 lbs.
DCM-751BAH-OS	5.94	12.0	N/A
DCM-751BWH-OS	4.76	12.0	96

SPECIFICATIONS

Model Number	Condenser	Min. Circuit Ampacity	Shipping Weight
DCM-751BAH-OS	Air-Cooled	20	345 lbs.
DCM-751BWH-OS	Water-Cooled	20	345 lbs.
SD-700	N/A	N/A	165 lbs.
SD-750	N/A	N/A	125 lbs.

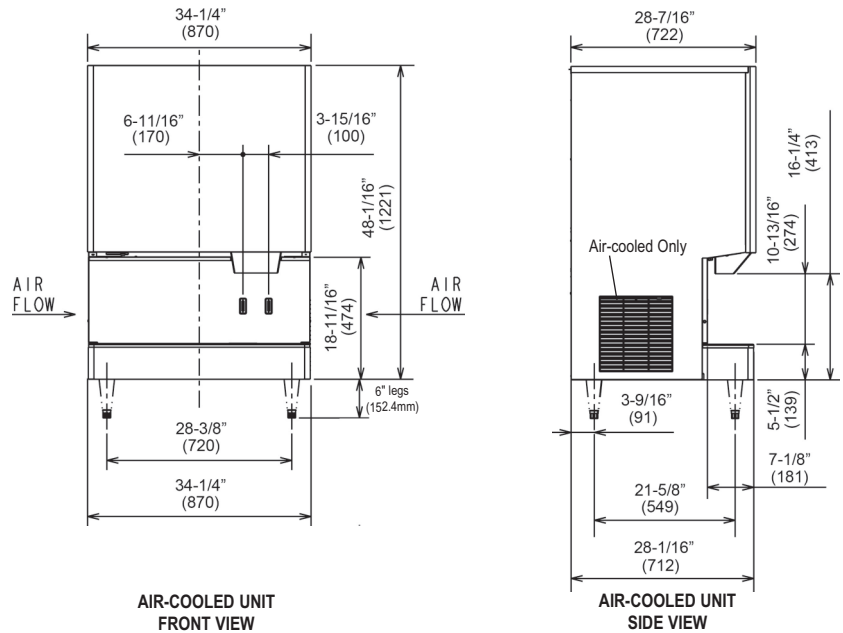
*CUBELET DIMENSIONS



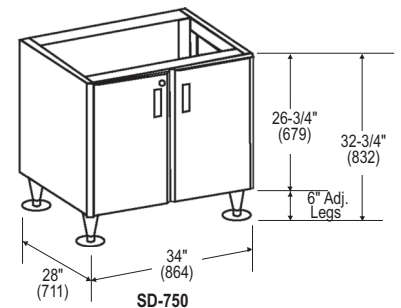
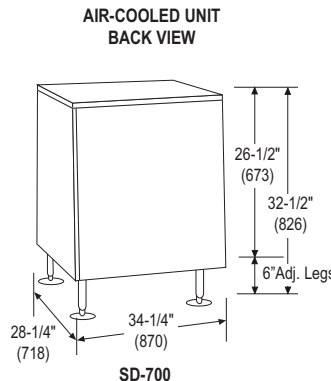
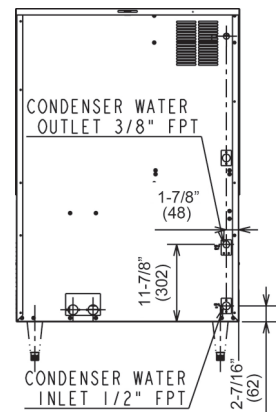
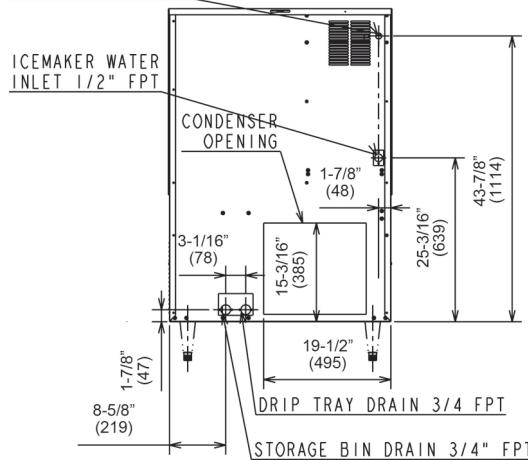
*approximate size in inches, image not to scale

ELECTRICAL & PLUMBING/DCM-75IB_H

- 115V/60/1
- 20 amp Max Fuse Size
- Icemaker Water Supply Line: Minimum 1/4" Nominal ID Copper Water Tubing or Equivalent
- Icemaker Drain Line: Minimum 3/4" Nominal ID Hard Pipe or Equivalent
- Water-Cooled Model (Lines Must be Independent of Icemaker)
- Condenser Water Supply Line: Minimum 1/4" Nominal ID Copper Water Tubing or Equivalent
- Condenser Drain/Return Line: Minimum 1/4" Nominal ID Hard Pipe (open drain system) or Copper Water Tubing (closed loop system) or Equivalent



ELECTRICAL SUPPLY
7/8" DIA. OPENING



OPERATING LIMITS

- Ambient Temp Range 45 - 100°F
- Water Temp Range 45 - 90°F
- Water Pressure 10 - 113psig
- Voltage Range 104 - 127V

SERVICE

- Panels easily removed and all components accessible for service.
- Removable/cleanable air filter. (Air-cooled model only)

