

# F-1501M\_H

## MODULAR FLAKER ICE MACHINE

Item # \_\_\_\_\_

Project: \_\_\_\_\_

Qty: \_\_\_\_\_  
 \*AutoCad available on KCL

F-1501M\_H

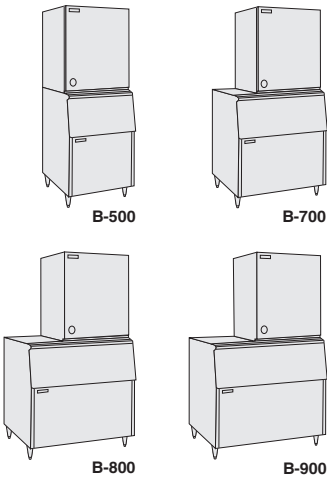
4/22/16

Item #13339

### FLAKER DIMENSIONS

W x D x H

**F-1501M\_H**  
 30 x 27<sup>1/2</sup> x 34<sup>7/16</sup>



Also available on Large Bins:  
 B-1150SS  
 B-1300SS  
 B-1500SS  
 B-1650SS



### F-1501MAH

Air-Cooled  
 Shown on an optional  
 B-900

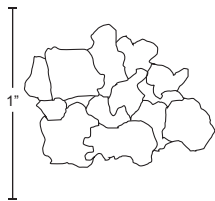
### F-1501MWH

Water-Cooled


### F-1501MRH

Remote Air-Cooled

### \*FLAKED ICE DIMENSIONS



\*approximate size, image not to scale

- Up to 1590 lbs. of ice production per 24 hours
- Durable stainless steel exterior
- Advanced CleanCycle24™ Design 
- Removes sediment
- Cleaner ice
- Longer life and easy maintenance
- R-404A Refrigerant

\* The F-1501MAH and F-1501MRH are ENERGY STAR qualified.

### Warranty

Valid in United States, Canada, Puerto Rico, & U.S. Territories. Contact factory for warranty in other countries.

**Three Year** - Parts & Labor on entire machine. (Serial numbers Vxxxxxj and after.)

**Five Year** - Parts on Compressor, air-cooled condenser coil.



© HOSHIZAKI AMERICA, INC.

618 Hwy. 74 S., Peachtree City, GA 30269

TEL 1-800-438-6087

FAX 1-800-345-1325

www.hoshizaki.com



# HOSHIZAKI

# F-150IM\_H FLAKER ICE MACHINE MODULAR SERIES

**DIMENSIONS**  
W x D x H  
**F-150IM H**  
30 x 27<sup>1/2</sup> x 34<sup>7/16</sup>

- Air-cooled
- Water-cooled
- Remote Air-cooled

### AIR-COOLED

Water Temp° F.	50°	70°	90°
Air Temp° F.			
70°	1590	1514	1447
80°	1382	1321	1262
90°	1206	<b>1110</b>	1100

### WATER-COOLED

Water Temp° F.	50°	70°	90°
Air Temp° F.			
70°	1460	1446	1409
80°	1374	1340	1306
90°	1273	<b>1265</b>	1210

### REMOTE AIR-COOLED

Water Temp° F.	50°	70°	90°
Air Temp° F.			
70°	1585	1532	1484
80°	1439	1394	1351
90°	1309	<b>1237</b>	1230

### UTILITY CONSUMPTION

Model Number	KWH per 100 LBS. 90/70	Potable Water Gal. per 100 lbs.
F-1501MAH	4.03	12.0
F-1501MWH	3.40	12.0
F-1501MRH	3.85	12.0

### SPECIFICATIONS

Model Number	Condenser	Amperage	Min. Circuit Ampacity	Shipping Weight
F-1501MAH	Air-Cooled	15.93	20	325 lbs.
F-1501MWH	Water-Cooled	15.44	20	325 lbs.
F-1501MRH	Remote Air-Cooled	18.44	20	315 lbs.

### STORAGE BINS

Model Number	AHRI-Rated Capacity*
B-500	360 lbs.
B-700	550 lbs.
B-800	600 lbs.
B-900	660 lbs.
B-1150	900 lbs.
B-1300	950 lbs.
B-1500	1120 lbs.
B-1650	1210 lbs.

\*Rated in accordance with AHRI Standard 820 (I-P)

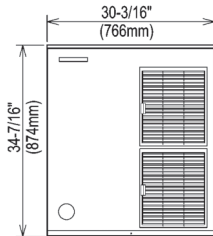
### ELECTRICAL & PLUMBING/F-150IM\_H

- 208-230V/60/1 (3 wire with dedicated neutral for 115V)
- Ice maker Water Supply Line: Minimum 1/4" Nominal ID Copper Water Tubing or Equivalent
- Ice maker Drain Line: Minimum 3/4" Nominal ID Hard Pipe or Equivalent

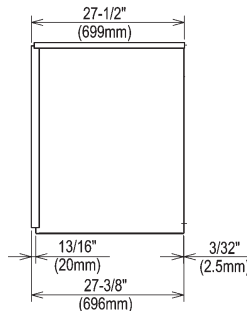


© HOSHIZAKI AMERICA, INC.

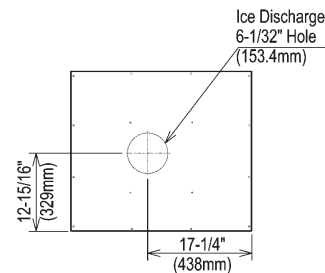
618 Hwy. 74 S., Peachtree City, GA 30269



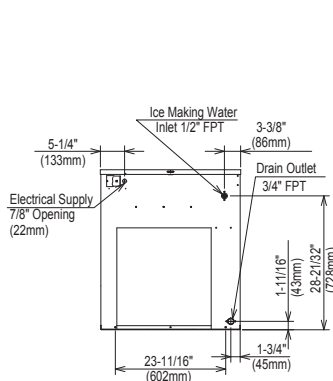
FRONT VIEW



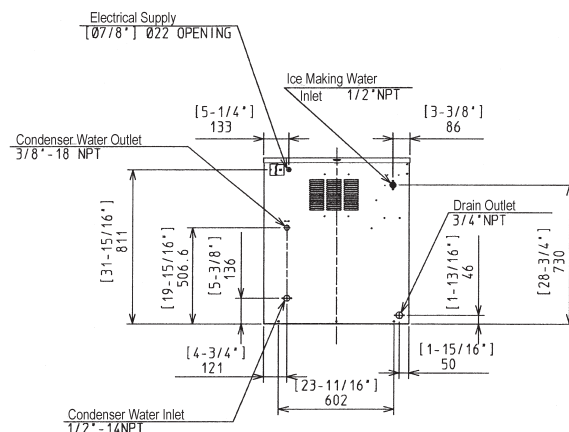
SIDE VIEW



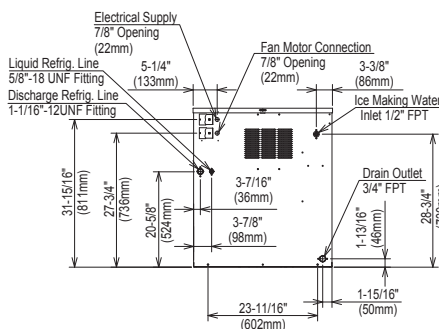
ICE DROP ZONE



AIR-COOLED UNIT

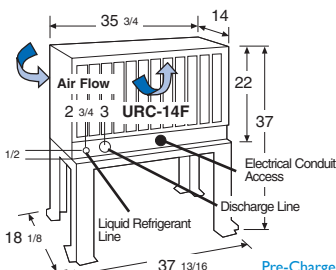


WATER-COOLED UNIT



REMOTE AIR-COOLED UNIT

URC-14F Remote Condenser (Sold Separately)  
For Use with F-1501MRH-C



Pre-Charged Tubing Kits  
(Sold Separately)  
20' R404-2068-2  
35' R404-3568-2  
55' R404-5568-2

Voltage supply for the URC Remote Condenser is supplied from the Ice Maker. No additional circuit is required.

### OPERATING LIMITS

- Ambient Temp Range 45 - 100°F
- Water Temp Range 45 - 90°F
- Water Pressure 10 - 113psig
- Voltage Range 104 - 127V

### SERVICE

- Panels easily removed and all components accessible for service.
- Removable/cleanable air filter. (Air-Cooled models only)

TEL 1-800-438-6087

FAX 1-800-345-1325

www.hoshizaki.com

Printed in U.S.A.

