



F-2001MRH-C

Modular Cubelet Ice Machine



F-2001MRH-C
03/31/17
Item # 13342

W x D x H
30" x 27¹/₂" x 34⁷/₁₆"*

F-2001MRH-C*
Remote Air-Cooled
Shown on optional bin B-900





ISO9001-15014001



Item #: _____
Project: _____
Qty: _____
AIA#: _____

Features

- ▶ Durable stainless steel exterior
- ▶ Advanced CleanCycle24™ design 
- ▶ Stainless steel auger with greaseless bearing

- Up to 1814 lbs. of ice production per 24 hours
- Mount two units, side-by-side, in only 60" of floor space for double the amount of ice production
- 2 second flush cycle every hour
- Flush cycle removes sediment for cleaner ice
- Protected by H-GUARD Plus Antimicrobial Agent 
- R-404A Refrigerant

Available on Bins:

B-250PF B-700PF/SF B-900PF/SF B-1300SS B-1650SS
B-500PF/SF B-800PF/SF B-1150SS B-1500SS

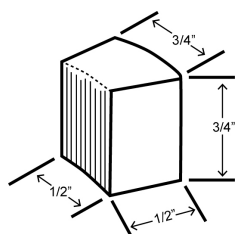
Top kit may be required. See Bin Spec Sheets.

Warranty:

3 Year Parts & Labor on entire machine. 5 Year Parts on Compressor; air-cooled condenser coil. Valid in United States, Canada, Puerto Rico and U.S. Territories. Contact factory for warranty in other countries.

Condenser	Model	ICE PRODUCTION			WATER USAGE			ELECTRICAL			Heat Rejection BTU/hr.	Shipping Weight	ENERGY STAR®
		Air / Water Temp Lbs. per 24 hours 70°/ 50°F 90°/ 70°F	Type of Ice (Hardness Rating)	Potable Gal. per 100 lbs. 90°/ 70°F	Condenser Gal. per 100 lbs. 90°/ 70°F	kWh Used per 100 lbs. 90°/ 70°F	Max. Fuse Size or HACR Circuit Breaker	Amperage	Voltage				
Remote Air-Cooled	F-2001MRH-C	1814 1496	Flaked (84)	12.0	N/A	5.1	15A	19.94A	208-230V/60/1	17,500	360 lbs.		

Cubelet Dimensions*



* approximate size in inches, image not to scale

Operating Limits

- Ambient Temp Range 45 - 100°F
- Water Temp Range 45 - 90°F
- Water Pressure 10 - 113 PSIG
- Voltage Range 104-127V

Service

- Panels easily removed and all components accessible for service.
- Allow 6" (15 cm) clearance at rear and sides, and 24" (61 cm) clearance at top for proper air circulation and ease of maintenance/service.

Plumbing

- Icemaker Water Supply Line: Minimum 1/4" Nominal ID Copper Water Tubing or Equivalent
- Icemaker Drain Line: Minimum 3/4" Nominal ID Hard Pipe or Equivalent



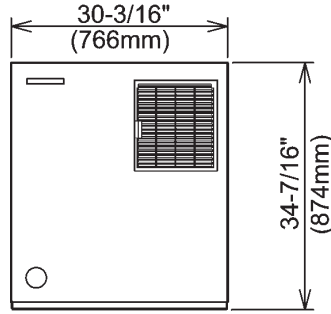
F-2001MRH-C

Modular Cubelet Ice Machine



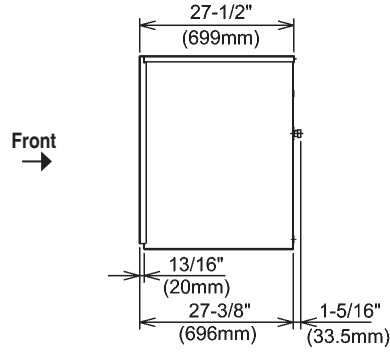
F-2001MRH-C
03/31/17
Item # 13342

FRONT VIEW

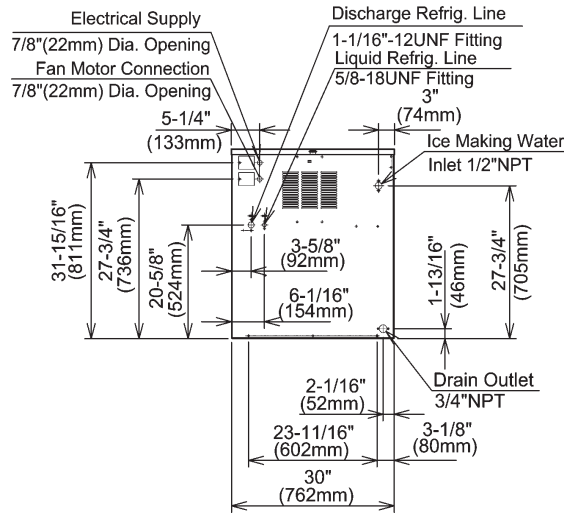


mm
[inch]

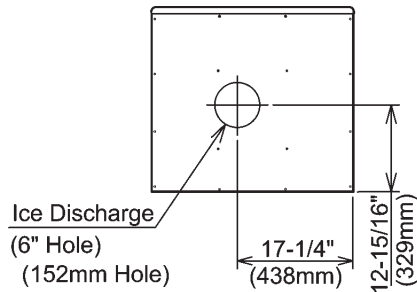
SIDE VIEW



REAR VIEW



BOTTOM VIEW



URC-22F Remote Condenser (Sold Separately)
(W x D x H) 46 3/8 x 14 1/16 x 40 1/2
For Use with F-2001MRH-C



Pre-Charged Tubing Kits
(Sold Separately)
20' R404-20610
35' R404-35610
55' R404-55610

Voltage supply for the URC Remote Condenser is supplied from the Ice Maker. No additional circuit is required.

