



FM-23-HC(-BLK/-WHT)

FM-23-HC(-BLK/-WHT)
02/06/24
Item # 13572

Glass Door Freezer Merchandiser with Swing Door

Item #: _____
 Project: _____
 Qty: _____
 AIA#: _____

W x D x H

30" x 29.75" x 78"



FM-23-HC



FM-23-HC-BLK



FM-23-HC-WHT

Features

- ▶ Silver painted galvanized steel exterior and interior with NSF approved white steel interior and stainless steel floor
- ▶ Forced air evaporator for quick temperature pull down
- ▶ Energy saving hot gas loop and an electric glass door heater
- Environmentally friendly R290 hydrocarbon refrigerant
- Listed under NSF/ANSI Standard 7 for the storage and/or display of packaged or bottled products
- Large glass door is energy efficient Low-E multi pane glass
- Doors are standard with locks
- (5) white epoxy coated shelves per section with product stops are standard
- LED illuminated exterior graphic display
- Energy efficient vertical LED interior lights illuminate products on display
- Door is mounted on heavy duty hinges with self-closing mechanism
- Time-initiated automatic defrost
- Environmentally friendly CFC-Free Polyurethane insulation with cyclopentane blowing agent
- Stainless steel shelf clips adjustable in 1/2" increments on anodized aluminum supports
- Refrigerant flow is controlled with a capillary tube
- 8 Foot cord and plug
- 2 inch leveling legs standard



Dimensions / Capacity

Cabinet Volume (AHAM)	20.71 ft ³
Overall Width x Depth	30" x 29.75"
Height	78"
Interior Dimensions (W x D x H)	25.25" x 25.25" x 60.5"
Depth with Door Open at 90°	58.75"
Adjustable Shelves	5
Shelf Dimensions (W x D)	24.56" x 23.25"
Crated Shipping Weight	385 lbs.
Crated Length x Depth x Height	33" x 32.5" x 85.25"

One Section FM-23-HC/-BLK/-WHT

Electrical / Refrigeration

Voltage	115/60/1
HACR Breaker	15 amps
Electrical Connection (NEMA)	5-15P
Voltage Range	104-127V
Ambient Temp. Range	60°F to 86°F
Control Setpoint Range	-10° to -0°F
Amperage	4.8
Refrigerant / Charge Amount (oz)	R290 (10.58 oz.)

One Section FM-23-HC/-BLK/-WHT

Options

- 4" Casters
- Reversible Hinging



If GFCI is required, a GFCI breaker MUST be used in lieu of GFCI receptacle

Valid in United States, Canada, Puerto Rico and U.S. Territories. Contact factory for warranty in other countries.

Hoshizaki reserves the right to change specifications without notice.

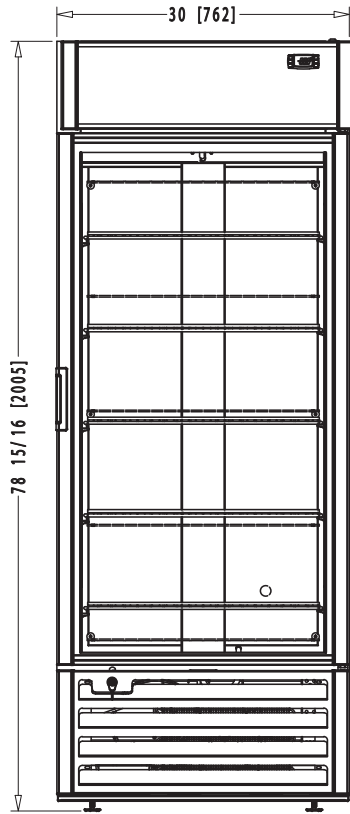


FM-23-HC(-BLK/-WHT)

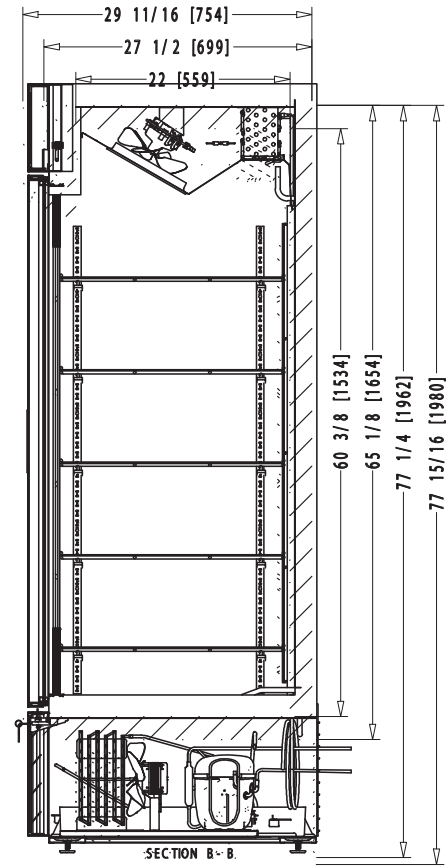
FM-23-HC(-BLK/-WHT)
02/06/24
Item # 13572

Glass Door Freezer Merchandiser with Swing Door

FRONT VIEW

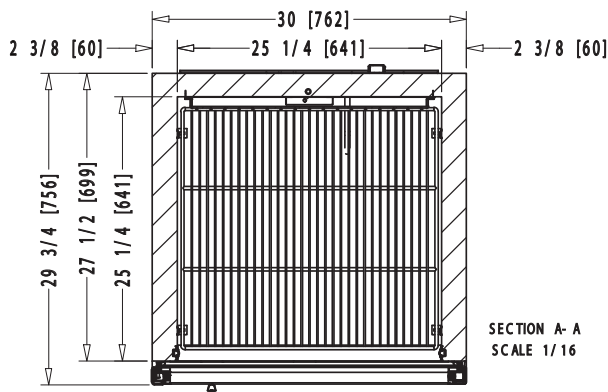


SIDE VIEW

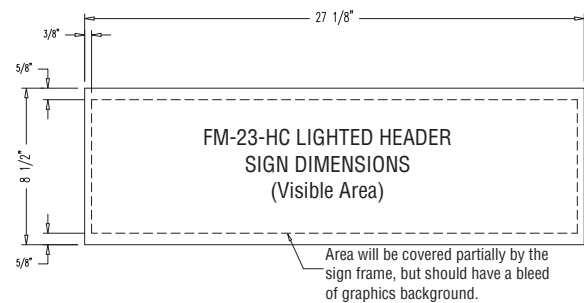


inch [mm]

PLAN VIEW



HEADER DIMS



Graphic Requirements:

- 360 dpi resolution. Scale 1=1
- Colors for CMYK process
- Image with 1/4" of excess by side
- Graphics must be saved in photoshop (with layers) (or your sign company file type requirements)
- Include a full color print out

Material Requirements:

- Thickness: 1/16" (1.5mm)
- Good- Acrylic/Pexiglass, Better - high impact acrysteel, acrylite SG
- Best- Super impact Lexan, Lexan SG Polycarbonate

Note: Texts and important parts of the image should be within the visible area. The visible area is illustrated by dotted lines when it applies.