



KM-1301SAH-E

STACKABLE ICE CUBER



KM-1301SAH-E
10/30/17
Item # 13055

Item #: _____
 Project: _____
 Qty: _____
 AIA#: _____


W x D x H
122 x 69.5 x 69.5 cm



Shipping Dimensions
131.5 x 83.8 x 85.1 cm

KM-1301SAH-E
Air-Cooled 1 Phase
Shown on optional bin: B900



Features

- ▶ Individual crescent cube
- ▶ Stainless steel evaporator
- ▶ CycleSaver™ design 

- Up to 505 kg of ice production per 24 hours
- Stackable for 1010 kg per 24 hours ice production in the same floor space
- Durable stainless steel exterior
- Protected by H-Guard Plus  Antimicrobial Agent
- EverCheck™ alert system 
- Removable air filters
- R-404A Refrigerant

Available on Bins:

B-800 **B-1150SS** **B-1500SS** *Top kit may be required.*
B-900 **B-1300SS** **B-1650SS** *See Bin Spec Sheets.*

Warranty:

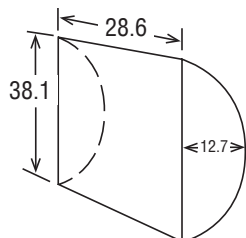
Call factory for warranty information.



Condenser	Model	ICE PRODUCTION		WATER USAGE			ELECTRICAL*					Net / Ship Weight (kg.)	
		Air / Water Temp kg per 24 hours 21° / 10°C 32° / 21°C		Potable Liters per 45 kg 32° / 21°C	Condenser Liters per 45 kg 32° / 21°C	kWh Used per 45 kg 32° / 21°C	Max. Fuse Size or HACR Circuit Breaker	Amperage	Voltage	Circuit Wires (including ground)	Heat Rejection BTU/hr.		Charge Amount
Air	KM-1301SAH-E	505	455	59.0	N/A	5.1	20A	11.8A	220-240V/50/1	3	19,000	1620g	125 / 143 kg

*If neutral is not available transformer kit (HS-5030) is required. Refer to instruction manual for installation and electrical requirements.

KM Cube Dimensions*



* approximate size in millimeters, image not to scale

Operating Limits

- Ambient Temp Range 7 - 38°C
- Water Temp Range 7 - 32°C
- Water Pressure 0.7 - 8 kg/cm²
- Voltage Range 198 - 254V

Service

- Panels easily removed and all components accessible for service.
- Allow 15 cm clearance at rear, sides, and top for proper air circulation and ease of maintenance/ service.

Plumbing

- Icemaker Water Supply Line: Min. 10 mm Nominal OD Copper Water Tubing or Equivalent
- Icemaker Drain Line: Min. 18 mm Nominal OD Hard Pipe or Equivalent

Water Filter

Please refer to water filter spec sheet for recommended configurations.



KM-1301SAH-E

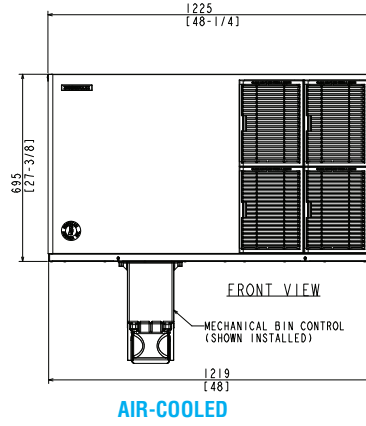
STACKABLE ICE CUBER



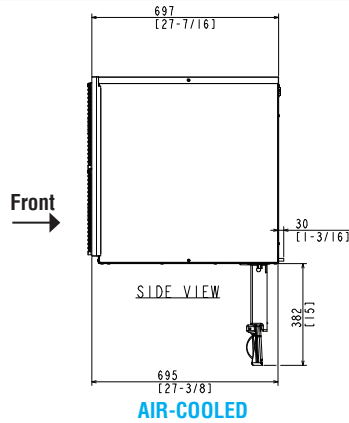
KM-1301SAH-E
10/30/17
Item # 13055

mm
[inches]

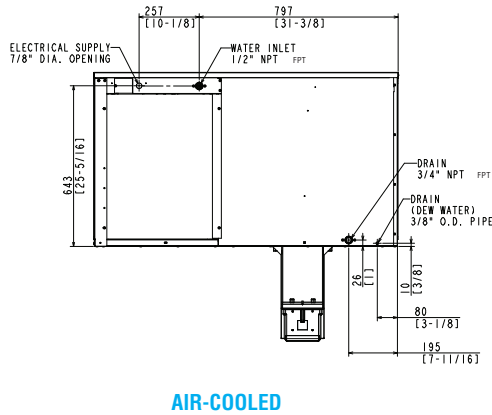
FRONT VIEW



SIDE VIEW



BACK VIEW



BOTTOM VIEW

