



# KM-1340M\_J(Z)(3)

MODULAR CRESCENT CUBER



KM-1340M\_J(Z)(3)  
07/02/24  
Item # 13249

Item #: \_\_\_\_\_  
Project: \_\_\_\_\_  
Qty: \_\_\_\_\_  
AIA#: \_\_\_\_\_

**W x D x H**  
30" x 27<sup>3/8</sup>" x 41<sup>1/2</sup>"

## KM|EDGE™

**KM-1340MAJ** ★  
Air-Cooled 1 Phase  
Shown on optional bin: B900


**KM-1340MWJ**  
Water-Cooled 1 Phase


**KM-1340MRJZ**  
Remote Air-Cooled 1 Phase

**KM-1340MRJZ3** ★  
Remote Air-Cooled 3 Phase



## Features

- ▶ Individual crescent cube
- ▶ Stainless steel evaporator
- ▶ CycleSaver™ design 

- Up to 1428 lbs. of ice production per 24 hours
- Mount two units, side-by-side, in only 60" of floor space for double the amount of ice production
- Durable stainless steel exterior
- EverCheck alert system 
- Removable air filters (Air-cooled model only)
- R-404A Refrigerant

### Available on Bins:

**B-500SF B-800SF B-1150SS B-1500SS**  
**B-700SF B-900SF B-1300SS B-1650SS**

Top kit may be required. See Bin Spec Sheets.

### Warranty:

3 Year Parts & Labor on entire machine. 5 Year Parts & Labor on Evaporator. 5 Year Parts on Compressor; air-cooled condenser coil. Valid in United States, Canada, Puerto Rico and U.S. Territories. Contact factory for warranty in other countries.

Shipping: (LxWxH) 33.5" x 33.25" X 48" Volume: 30.94ft<sup>3</sup>



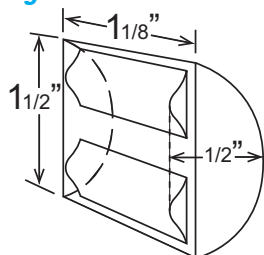
Condenser	Model	ICE PRODUCTION		WATER USAGE		ELECTRICAL								
		Air / Water Temp Lbs. per 24 hours 70°/50°F 90°/70°F	Potable Gal. per 100 lbs. 90°/70°F	Condenser Gal. per 100 lbs. 90°/70°F	kWh Used per 100 lbs. 90°/70°F	Min. Circuit/ Max. Fuse Size	Amperage	Voltage	Circuit Wires (including ground)	Heat Rejection BTU/hr.	Refrigerant Charge Amount	Net / Ship Weight (lbs.)		
1 Phase	Air	KM-1340MAJ	1275	1089	23.6	N/A	4.81	20A	13.2A	208-230V/60/1	4*	21,000	4 lbs. 10.1 oz.	285 / 315
	Water	KM-1340MWJ	1323	1280	17.8	128.5	3.60	20A	11.0A	208-230V/60/1	4*	18,500	2 lbs. 1.5 oz.	285 / 315
	Remote	KM-1340MRJZ	1371	1177	17.5	N/A	4.54	20A	14.0A	208-230V/60/1	4*	19,900	6 lbs. 9.8 oz. 11 lbs. 0.4 oz.†	259 / 289
3 Phase	Remote	KM-1340MRJZ3	1428	1266	17.5	N/A	4.12	20A	12.5A	208-230V/60/3	4	18,000	6 lbs. 9.8 oz. 11 lbs. 0.4 oz.†	259 / 289

\*If neutral is not available transformer kit (HS-5030) is required. Refer to instruction manual for installation and electrical requirements.

†(with condenser)

Power cord not included. Must be hard-wired at site.

## KMEdge™ Cube Dimensions\* Operating Limits



\* approximate size in inches, image not to scale

- Ambient Temp Range 45 - 100°F
- Water Temp Range 45 - 90°F
- Water Pressure 10 - 113 PSIG
- Voltage Range 187 - 253V
- If GFCI is required, a GFCI breaker MUST be used in lieu of GFCI receptacle

### Service

- Panels easily removed and all components accessible for service.
- Allow 6" (15cm) clearance at rear, sides, and top for proper air circulation and ease of maintenance/service.

## Plumbing

- Icemaker Water Supply Line: Min. 3/8" Nominal ID Copper Water Tubing or Equivalent
- Icemaker Drain Line: Min. 3/4" Nominal ID Hard Pipe or Equivalent Water-Cooled Model (Lines Must Be Independent of Icemaker)
- Condenser Water Supply Line: Min. 3/8" Nominal ID Copper Water Tubing or Equivalent
- Condenser Drain/Return Line: Min. 3/8" Nominal ID Hard Pipe (open drain system) or Copper Water Tubing (closed loop system) or Equivalent

## Water Filter

Please refer to water filter spec sheet for recommended configurations.

Hoshizaki reserves the right to change specifications without notice.



# KM-1340M\_J(Z)(3)

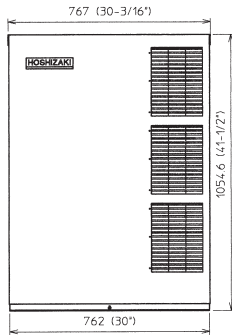
## MODULAR CRESCENT CUBER

KM-1340M\_J(Z)(3)

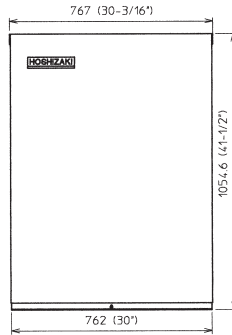
07/02/24

Item # 13249

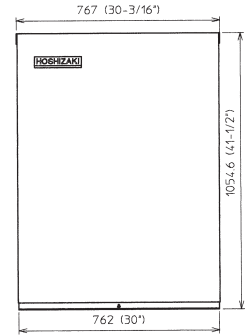
FRONT VIEW



**AIR-COOLED**

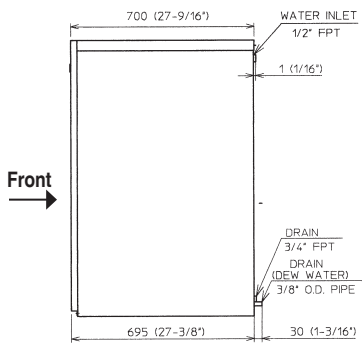


**WATER-COOLED**

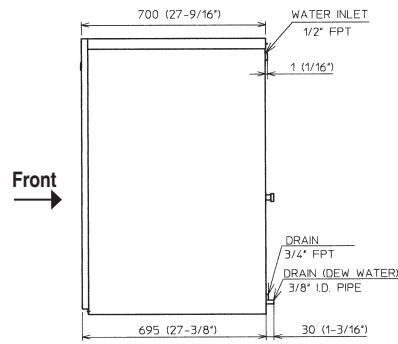


**REMOTE AIR-COOLED**

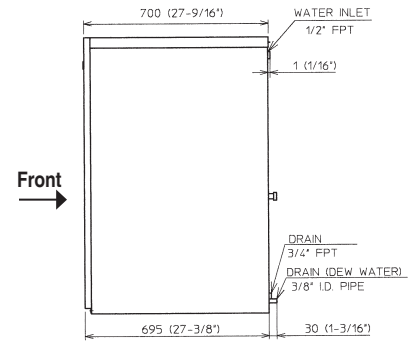
SIDE VIEW



**AIR-COOLED**

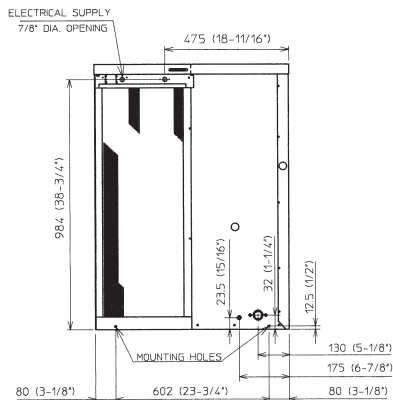


**WATER-COOLED**

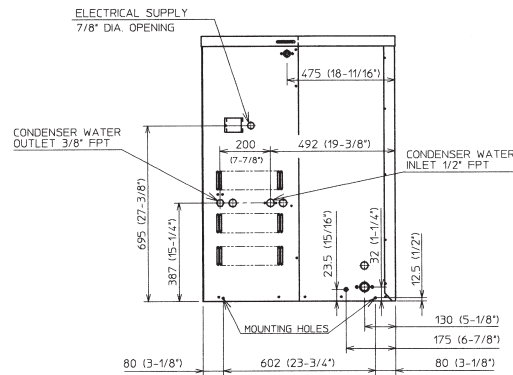


**REMOTE AIR-COOLED**

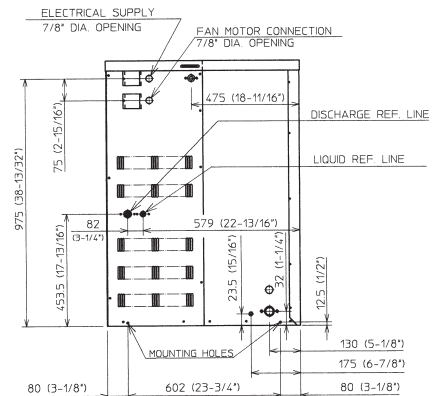
BACK VIEW



**AIR-COOLED**

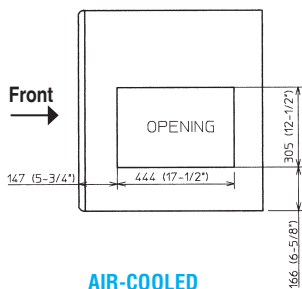


**WATER-COOLED**



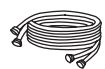
**REMOTE AIR-COOLED**

BOTTOM VIEW



**AIR-COOLED  
WATER-COOLED  
REMOTE AIR-COOLED**

- Brazed Line Sets (Sold Separately)**
- 25' HS-5604
  - 35' HS-5605
  - 55' HS-5606



Voltage supply for the URC Remote Condenser is supplied from the Ice Maker. No additional circuit is required.

**URC-14FZ Remote Condenser (Sold Separately)**  
(W x D x H) 35 11/16 x 14 1/16 x 36 1/2

For Use with KM-1340MRJZ(3)

