



KM-1900S_J(Z)(3)

STACKABLE CRESCENT CUBER



KM-1900S_J(Z)(3)
07/02/24
Item # 13190

W x D x H
48" x 27^{3/8}" x 36^{7/16}"

KM|EDGE™

KM-1900SAJ ★

Air-Cooled 1 Phase
Shown on optional bin: B-900

KM-1900SWJ

Water-Cooled 1 Phase

KM-1900SRJZ ★

Remote Air-Cooled 1 Phase

KM-1900SAJ3 ★

Air-Cooled 3 Phase

KM-1900SWJ3

Water-Cooled 3 Phase

KM-1900SRJZ3 ★

Remote Air-Cooled 3 Phase



Item #: _____
Project: _____
Qty: _____
AIA#: _____

Features

▶ Individual crescent cube

▶ Stainless steel evaporator

▶ CycleSaver™ design

- Up to 1933 lbs. of ice production per 24 hours
- Stackable for 3866 lbs. per 24 hours ice production in the same floor space
- Durable stainless steel exterior
- EverCheck™ alert system
- R-404A Refrigerant

Available on Bins:

B-800 **B-1150SS** **B-1500SS** *Top kit may be required.*
B-900 **B-1300SS** **B-1650SS** *See Bin Spec Sheets.*

Warranty:

Valid in United States, Canada, Puerto Rico and U.S. Territories.
Contact factory for warranty in other countries.

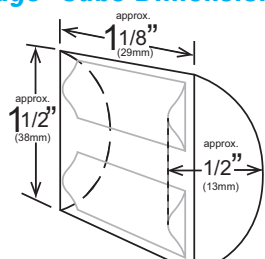
Shipping: (LxWxH) 51.75" x 33" X 43" Volume: 42.5ft³

	Condenser	Model	ICE PRODUCTION		WATER USAGE			ELECTRICAL				Heat Rejection BTU/hr.	Refrigerant Charge Amount	Net / Ship Weight (lbs.)
			Air / Water Temp Lbs. per 24 hours 70°/50°F	90°/70°F	Potable Gal. per 100 lbs. 90°/70°F	Condenser Gal. per 100 lbs. 90°/70°F	kWh Used per 100 lbs. 90°/70°F	Min. Circuit/Max. Fuse Size	Amperage	Voltage	Circuit Wires (including ground)			
1 Phase	Air	KM-1900SAJ	1875	1675	19.0	N/A	3.90	30A	14.5A	208-230V/60/1	4*	21,200	4 lb. 10.1 oz.	390 / 415
	Water	KM-1900SWJ	1880	1875	21.0	85	3.20	30A	15.8A	208-230V/60/1	4*	21,500	3 lb. 1.4 oz.	390 / 415
	Remote	KM-1900SRJZ	1933	1700	19.0	N/A	3.90	30A	15.9A	208-230V/60/1	4*	24,200	13 lb. 12.5 oz. 21 lbs. 7.9 oz. ¹	390 / 415
3 Phase	Air	KM-1900SAJ3	1865	1675	19.0	N/A	3.90	20A	8.9A	208-230V/60/3	4	20,900	4 lb. 10.1 oz.	390 / 415
	Water	KM-1900SWJ3	1880	1875	21.0	85	3.20	20A	8.9A	208-230V/60/3	4	21,900	3 lb. 1.4 oz.	390 / 415
	Remote	KM-1900SRJZ3	1933	1700	19.0	N/A	3.90	20A	13.5A	208-230V/60/3	4	20,700	13 lb. 12.5 oz. 21 lbs. 7.9 oz. ¹	390 / 415

*If neutral is not available, transformer kit (HS-5030) is required. Refer to Instruction Manual for installation and electrical requirements.

¹with condenser
Power cord not included

KMEdge™ Cube Dimensions*



* approximate size in inches, image not to scale

Operating Limits

- Ambient Temp Range 45 - 100°F
- Water Temp Range 45 - 90°F
- Water Pressure 10 - 113 PSIG
- Voltage Range 187 - 253V
- If GFCI is required, a GFCI breaker MUST be used in lieu of GFCI receptacle

Service

- Panels easily removed and all components accessible for service.
- Allow 6" (15 cm) clearance at rear, sides, and top for proper air circulation and ease of maintenance/service.

Plumbing

- Icemaker Water Supply Line: Min. 3/8" Nominal ID Copper Water Tubing or Equivalent
- Icemaker Drain Line: Min. 3/4" Nominal ID Hard Pipe or Equivalent **Water-Cooled Model (Lines Must Be Independent of Icemaker)**
- Condenser Water Supply Line: Min. 3/8" Nominal ID Copper Water Tubing or Equivalent
- Condenser Drain/Return Line: Min. 3/8" Nominal ID Hard Pipe (open drain system) or Copper Water Tubing (closed loop system) or Equivalent

Water Filter

Please refer to water filter spec sheet for recommended configurations.

Hoshizaki reserves the right to change specifications without notice.

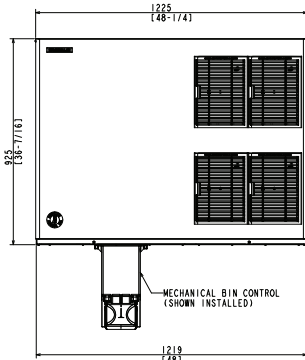


KM-1900S_J(Z)(3)

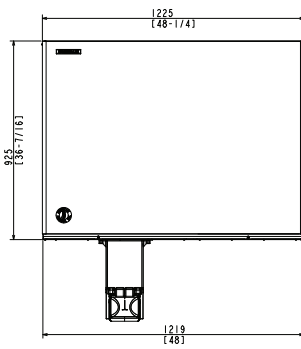
STACKABLE CRESCENT CUBER

KM-1900S_J(Z)(3)
07/02/24
Item # 13190

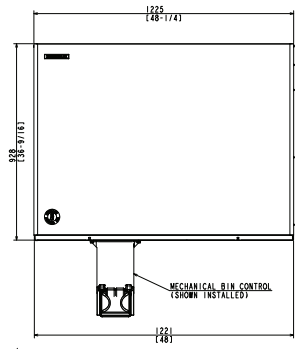
FRONT VIEW



AIR-COOLED

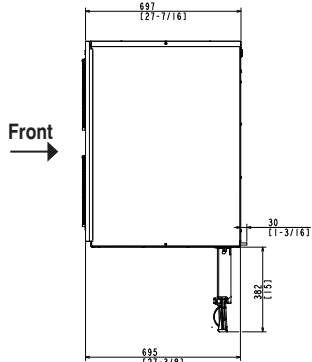


WATER-COOLED

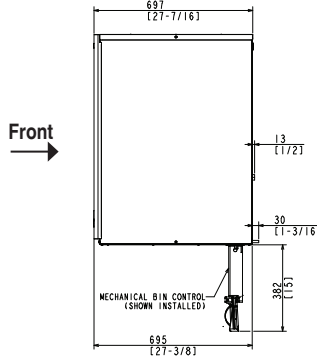


REMOTE AIR-COOLED

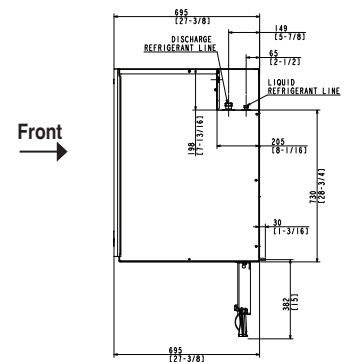
SIDE VIEW



AIR-COOLED

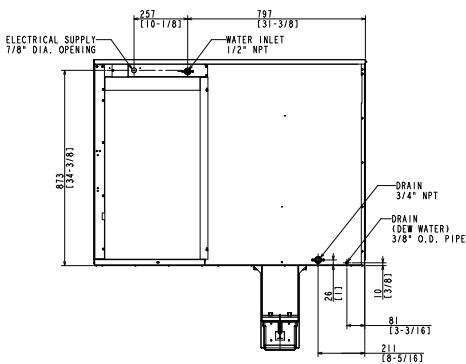


WATER-COOLED

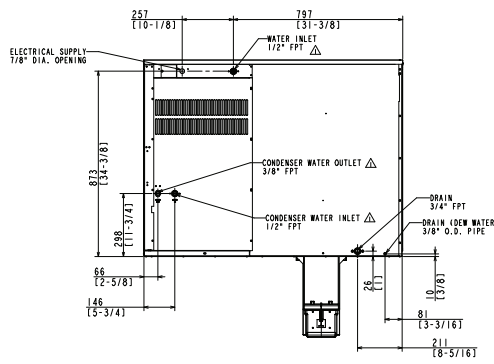


REMOTE AIR-COOLED

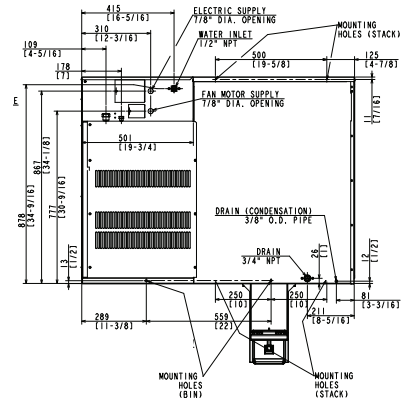
REAR VIEW



AIR-COOLED

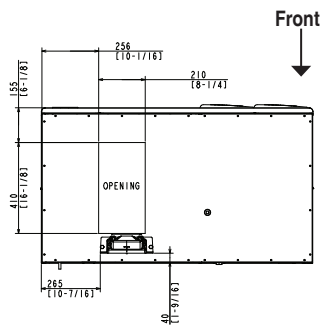


WATER-COOLED

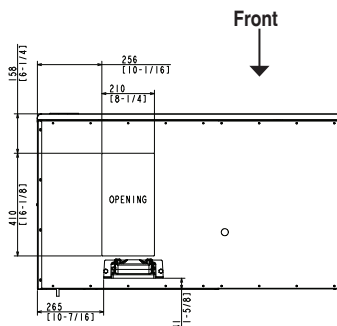


REMOTE AIR-COOLED

BOTTOM VIEW

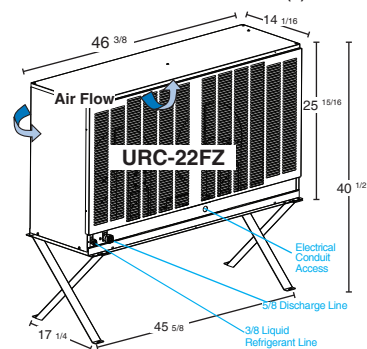


AIR-COOLED
WATER-COOLED



REMOTE AIR-COOLED

URC-22FZ Remote Condenser (Sold Separately)
(W x D x H) 46 3/8 X 14 1/16 X 40 1/2
For Use with KM-1900SRJ(3)



Braze Line Sets
(Sold Separately)
25' HS-5323
35' HS-5324
55' HS-5325



Voltage supply for the URC Remote Condenser is supplied from the Ice Maker. No additional circuit is required.