



KM-201BAH


SELF-CONTAINED CUBER
WITH BUILT-IN STORAGE BIN




KM-201BAH
09/15/17
Item # 13238

Item #: _____
Project: _____
Qty: _____
AIA#: _____

Features

- ▶ Individual crescent cube
- ▶ Stainless steel evaporator
- ▶ CycleSaver™ design 

- Up to 215 lbs. of ice production per 24 hours
- Built-in storage capacity of 2.7ft³/80 lbs.*
- Durable stainless steel exterior
- Front in, front out airflow
- Ice bin opening is ADA compliant
- EverCheck™ alert system 
- Removable air filter (Air-cooled model only)
- R-404A Refrigerant

Warranty:

3 Year Parts & Labor on entire machine. 5 Year Parts & Labor on Evaporator. 5 Year Parts on Compressor; air-cooled condenser coil. Valid in United States, Canada, Puerto Rico and U.S. Territories. Contact factory for warranty in other countries. *Rated in accordance with AHRI Standard 820(I-P). Capacity based on 100% of total volume x 30 lb/ft³ average density of ice.

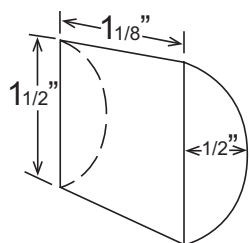
W x D x H
24" x 28" x 39" *
*including 6" legs

KM-201BAH ★
Air-Cooled
Shown



Condenser	Model	ICE PRODUCTION				WATER USAGE			ELECTRICAL			Heat Rejection BTU/hr.	Shipping Weight	ENERGY STAR®
		Air / Water Temp Lbs. per 24 hours		Per Cycle		Potable Gal. per 100 lbs.	Condenser Gal. per 100 lbs.	kWh Used per 100 lbs.	Max. Fuse Size or HACR Circuit Breaker	Amperage	Voltage			
		70°/50°F	90°/70°F	Lbs.	Cubes	90°/70°F	90°/70°F	90°/70°F						
Air-Cooled	KM-201BAH	201	165	4.0	182	22.0	N/A	7.5	15A	6.1A	115V/60/1	3,450	177 lbs.	★

KM Cube Dimensions*



* approximate size in inches, image not to scale

Operating Limits

- Ambient Temp Range 45 - 100°F
- Water Temp Range 45 - 90°F
- Water Pressure 10 - 113 PSIG
- Voltage Range 104 - 127V

Service

- Allow enough space at rear for water supply and drain connections. Allow at least 2" (5 cm) on right side for proper air circulation and at least 0.6" (15 mm) clearance at top for service/maintenance.

Plumbing

- Icemaker Water Supply Line: Minimum 1/4" Nominal ID Copper Water Tubing or Equivalent
- Icemaker Drain Line: Minimum 3/4" Nominal ID Hard Pipe or Equivalent



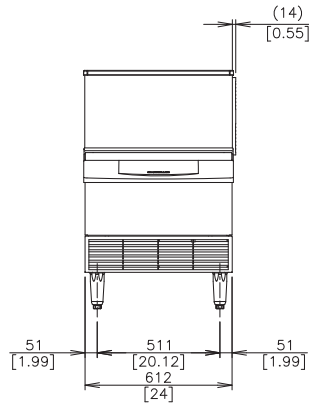
KM-201BAH

**SELF-CONTAINED CUBER
WITH BUILT-IN STORAGE BIN**



KM-201BAH
09/15/17
Item # 13238

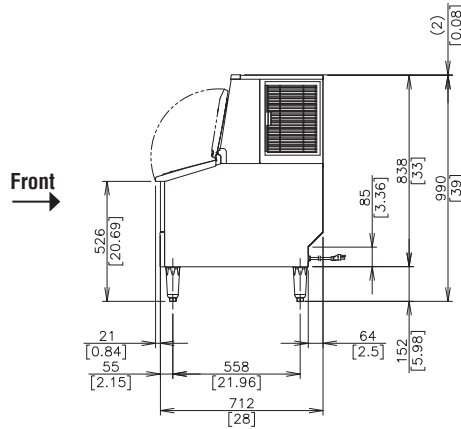
FRONT VIEW



AIR-COOLED

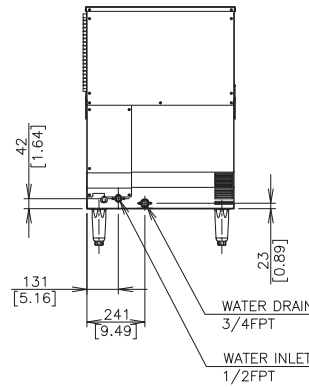
mm
[inch]

SIDE VIEW



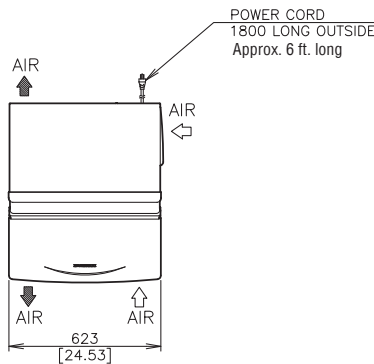
AIR-COOLED

REAR VIEW



AIR-COOLED

TOP VIEW



AIR-COOLED