



KM-230B_J

SELF-CONTAINED CUBER WITH BUILT-IN STORAGE BIN



KM-230BAJ
06/28/18
Item # 13192

Item #: _____
 Project: _____
 Qty: _____
 AIA#: _____

W x D x H
24" x 28" x 39" *
*including 6" legs

ADA Compliant

KM Edge DESIGN

KM-230BAJ
Air-Cooled
Shown



Features

- ▶ Individual crescent cube
- ▶ Stainless steel evaporator
- ▶ CycleSaver™ design

- Up to 230 lbs. of ice production per 24 hours
- Built-in storage capacity of 2.7ft³/80 lbs.*
- Durable stainless steel exterior
- Front-in, front-out airflow
- Removable air filter (Air-cooled model only)
- Ice bin opening is ADA compliant
- 6 ft. (1800 mm) power cord with NEMA 5-15P plug
- H-GUARD Plus Antimicrobial adds extra protection to the ice scoop (included)
- EverCheck™ alert system
- R-404A Refrigerant

Warranty:

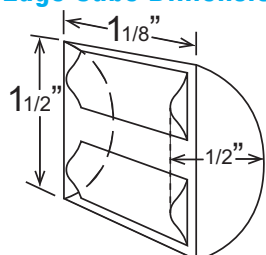
3 Year Parts & Labor on entire machine. 5 Year Parts & Labor on Evaporator. 5 Year Parts on Compressor; air-cooled condenser coil. Valid in United States, Canada, Puerto Rico and U.S. Territories. Contact factory for warranty in other countries.



Condenser	Model	ICE PRODUCTION		WATER USAGE		ELECTRICAL			Heat Rejection BTU/hr.	Refrigerant Charge Amount	Net / Ship Weight (lbs.)	
		Air / Water Temp Lbs. per 24 hours 70°/50°F 90°/70°F		Potable Gal. per 100 lbs. 90°/70°F	Condenser Gal. per 100 lbs. 90°/70°F	kWh Used per 100 lbs. 90°/70°F	Min. Circuit Amp.-Max. Fuse/Breaker	Amperage				Voltage
Air-Cooled	KM-230BAJ	230	165	22.5	N/A	7.78	15A	6.5A	115V/60/1	3,750	11.3 oz.	137 / 165

Power cord included.

KM Edge Cube Dimensions*



* approximate size in inches, image not to scale

Operating Limits

- Ambient Temp Range 45 - 100°F
- Water Temp Range 45 - 90°F
- Water Pressure 10 - 113 PSIG
- Voltage Range 104 - 127V

Service

- Allow enough space at rear for water supply and drain connections. Allow at least 2" (5 cm) on right side for proper air circulation and at least 0.6" (15 mm) clearance at top for service/maintenance.

Plumbing

- Icemaker Water Supply Line: Minimum 1/4" Nominal ID Copper Water Tubing or Equivalent
- Icemaker Drain Line: Minimum 3/4" Nominal ID Hard Pipe or Equivalent

Water Filter

Please refer to water filter spec sheet for recommended configurations.



KM-230BAJ

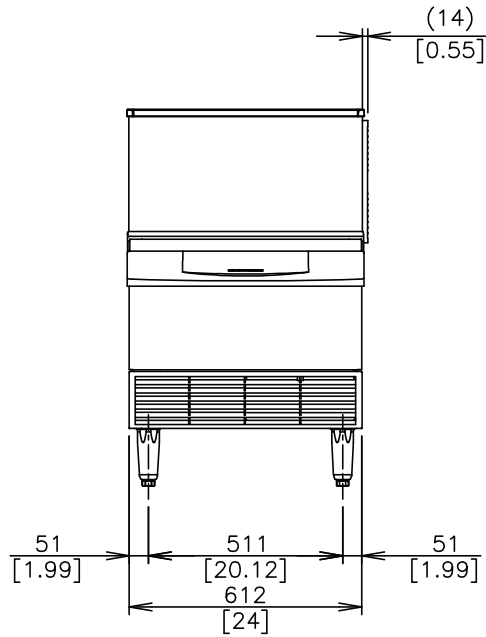
SELF-CONTAINED CUBER
WITH BUILT-IN STORAGE BIN



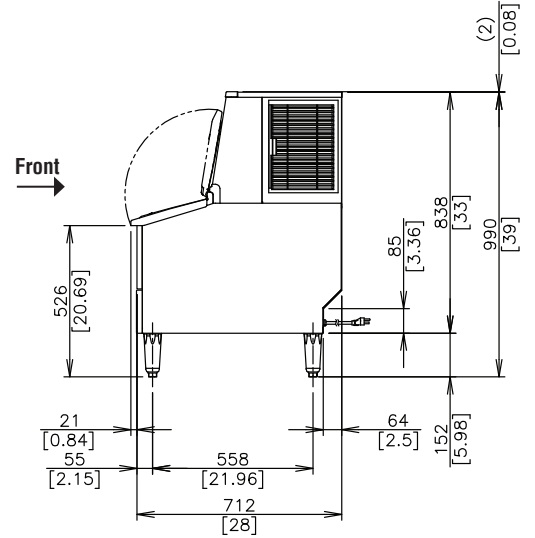
KM-230BAJ
06/28/18
Item # 13192

mm
[inch]

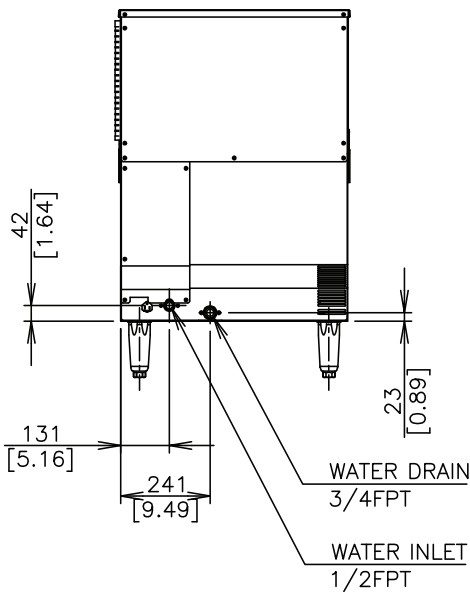
FRONT VIEW



SIDE VIEW



REAR VIEW



TOP VIEW

