



KM-260B_H


**SELF-CONTAINED CUBER
WITH BUILT-IN STORAGE BIN**




KM-260B_H
01/18/18
Item # 13239

Item #: _____
Project: _____
Qty: _____
AIA#: _____

Features

- ▶ Individual crescent cube
- ▶ Stainless steel evaporator
- ▶ CycleSaver™ design 

- Up to 268 lbs. of ice production per 24 hours
- Built-in storage capacity of 3.3ft³/100 lbs.*
- Durable stainless steel exterior
- Front in, front out airflow
- Ice bin opening is ADA compliant
- EverCheck™ alert system 
- Removable air filter (Air-cooled model only)
- R-404A Refrigerant

Warranty:

3 Year Parts & Labor on entire machine. 5 Year Parts & Labor on Evaporator. 5 Year Parts on Compressor; air-cooled condenser coil. Valid in United States, Canada, Puerto Rico and U.S. Territories. Contact factory for warranty in other countries.
*Rated in accordance with AHRI Standard 820(I-P). Capacity based on 100% of total volume x 30 lb/ft³ average density of ice.

W x D x H
30" x 28" x 39"*
*including 6" legs

Shipping Dimensions
33" x 31" x 40"

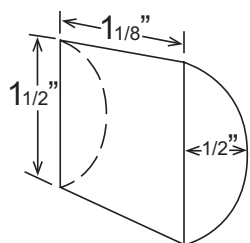
KM-260BAH
Air-Cooled
Shown

KM-260BWH
Water-Cooled



Condenser	Model	ICE PRODUCTION		WATER USAGE		ELECTRICAL						
		Air / Water Temp Lbs. per 24 hours 70°/50°F 90°/70°F	90°/70°F	Potable Gal. per 100 lbs. 90°/70°F	Condenser Gal. per 100 lbs. 90°/70°F	kWh Used per 100 lbs. 90°/70°F	Max. Fuse Size or HACR Circuit Breaker	Amperage	Voltage	Heat Rejection BTU/hr.	Refrigerant Charge Amount	Net / Ship Weight (lbs.)
Air-Cooled	KM-260BAH	263	200	20.3	N/A	7.6	15A	7.6A	115V/60/1	3,500	12.7 oz.	154 / 204
Water-Cooled	KM-260BWH	268	237	26.3	121	6.4	15A	7.5A	115V/60/1	3,600	12.7 oz.	154 / 204

KM Cube Dimensions*



* approximate size in inches, image not to scale

Operating Limits

- Ambient Temp Range 45 - 100°F
- Water Temp Range 45 - 90°F
- Water Pressure 10 - 113 PSIG
- Voltage Range 104 - 127V

Service

- Allow enough space at rear for water supply and drain connections. Allow at least 2" (5 cm) on right side for proper air circulation and at least 0.6" (15 mm) clearance at top for service/maintenance.

Plumbing

- Icemaker Water Supply Line: Minimum 1/4" Nominal ID Copper Water Tubing or Equivalent
- Icemaker Drain Line: Minimum 3/4" Nominal ID Hard Pipe or Equivalent
- Water-Cooled Model (Lines Must Be Independent of Icemaker)
- Condenser Water Supply Line: Minimum 1/4" Nominal ID Copper Water Tubing or Equivalent
- Condenser Drain/Return Line: Minimum 1/4" Nominal ID Hard Pipe (open drain system) or Copper Water Tubing (closed loop system) or Equivalent



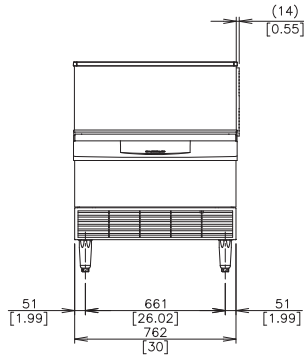
KM-260B_H

**SELF-CONTAINED CUBER
WITH BUILT-IN STORAGE BIN**

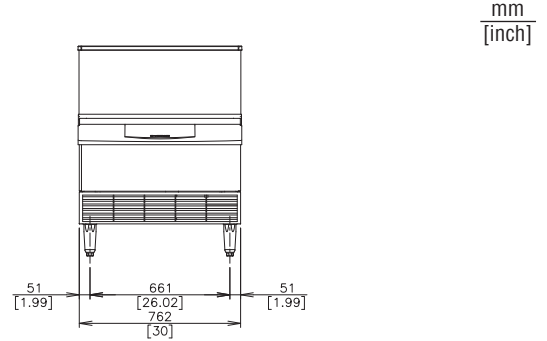


KM-260B_H
01/18/18
Item # 13239

FRONT VIEW



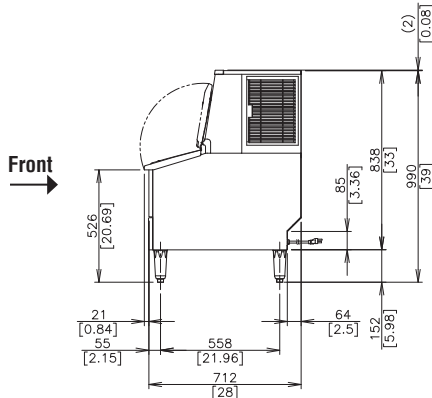
AIR-COOLED



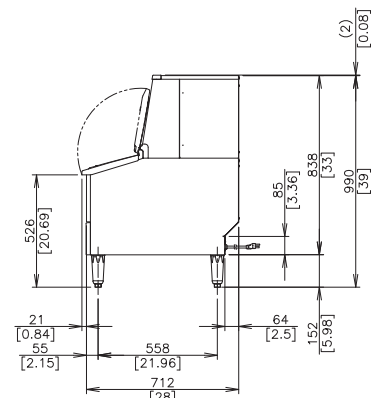
WATER-COOLED

mm
[inch]

SIDE VIEW

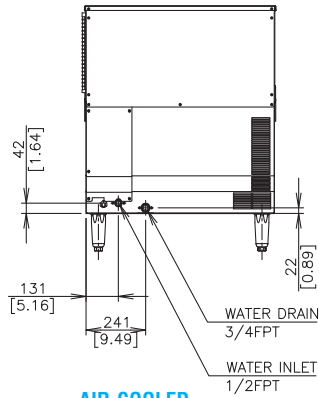


AIR-COOLED

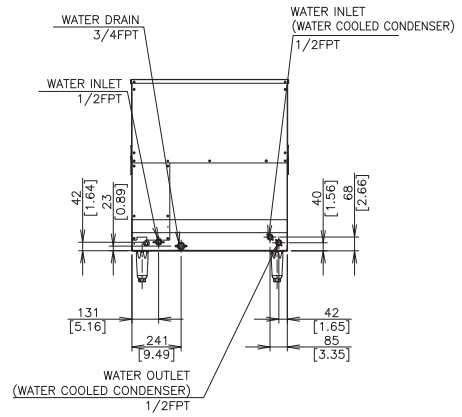


WATER-COOLED

REAR VIEW

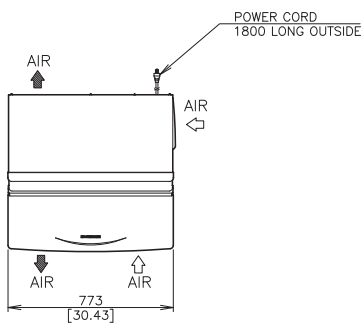


AIR-COOLED

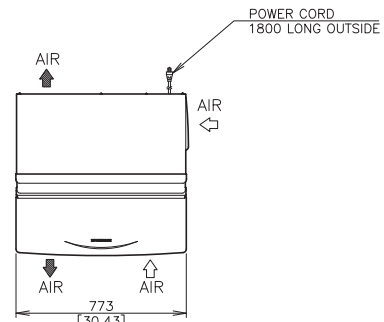


WATER-COOLED

TOP VIEW



AIR-COOLED



WATER-COOLED