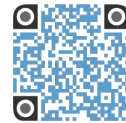




KM-600MAH

SLIM-LINE MODULAR CRESCENT CUBER



KM-600MAH
03/30/17
Item # 13231

Item #: _____
 Project: _____
 Qty: _____
 AIA#: _____

W x D x H
22" x 27^{3/8}" x 37^{7/16}"

KM-600MAH ★
Air-Cooled
Shown on optional bin B-300



Features

- ▶ Individual crescent cube
- ▶ Stainless steel evaporator
- ▶ CycleSaver™ design

- Up to 592 lbs. of ice production per 24 hours
- Durable stainless steel exterior
- Protected by H-GUARD Plus Antimicrobial Agent
- EverCheck™ alert system
- Mount two units side-by-side for 1,184 lbs. per 24 hours (in only 44" of floor space)
- Removable air filters (Air-cooled model only)
- R-404A Refrigerant

Available on Bins:

B-300PF/SF B-700PF/SF B-900PF/SF B-1300SS B-1650SS
B-500PF/SF B-800PF/SF B-1150SS B-1500SS

Top kit may be required. See Bin Spec Sheets.

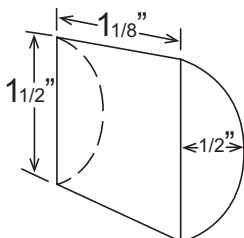
★ Warranty:

3 Year Parts & Labor on entire machine. 5 Year Parts & Labor on Evaporator. 5 Year Parts on Compressor; air-cooled condenser coil. Valid in United States, Canada, Puerto Rico and U.S. Territories. Contact factory for warranty in other countries.



| Condenser | Model | ICE PRODUCTION | | Per Cycle | | WATER USAGE | | | ELECTRICAL | | | Heat Rejection BTU/hr. | Shipping Weight | ENERGY STAR® |
|------------|-----------|--|-----------|-----------|-------|-------------------------------------|---------------------------------------|---------------------------------|--|----------|---------------|------------------------|-----------------|--------------|
| | | Air / Water Temp Lbs. per 24 hours 70°/ 50°F | 90°/ 70°F | Lbs. | Cubes | Potable Gal. per 100 lbs. 90°/ 70°F | Condenser Gal. per 100 lbs. 90°/ 70°F | kWh Used per 100 lbs. 90°/ 70°F | Max. Fuse Size or HACR Circuit Breaker | Amperage | Voltage | | | |
| Air-Cooled | KM-600MAH | 592 | 503 | 14.3 | 720 | 19.7 | N/A | 5.7 | 15A | 12.0A | 115-120V/60/1 | 9,500 | 200 lbs. | ★ |

KM Cube Dimensions*



* approximate size in inches, image not to scale

Operating Limits

- Ambient Temp Range 45 - 100°F
- Water Temp Range 45 - 90°F
- Water Pressure 10 - 113 PSIG
- Voltage Range 104-127V

Service

- Panels easily removed and all components accessible for service.
- Allow 6" (15 cm) clearance at rear, sides, and top for proper air circulation and ease of maintenance/service.

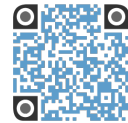
Plumbing

- Icemaker Water Supply Line: Minimum 1/4" Nominal ID Copper Water Tubing or Equivalent
- Icemaker Drain Line: Minimum 3/4" Nominal ID Hard Pipe or Equivalent
- Water-Cooled Model (Lines Must Be Independent of Icemaker)
- Condenser Water Supply Line: Minimum 1/4" Nominal ID Copper Water Tubing or Equivalent
- Condenser Drain/Return Line: Minimum 1/4" Nominal ID Hard Pipe (open drain system) or Copper Water Tubing (closed loop system) or Equivalent



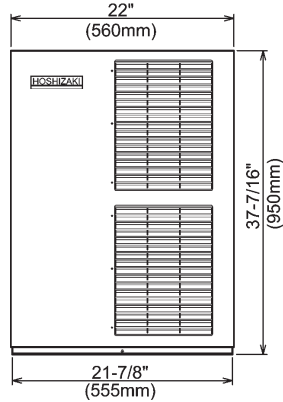
KM-600MAH

SLIM-LINE MODULAR CRESCENT CUBER



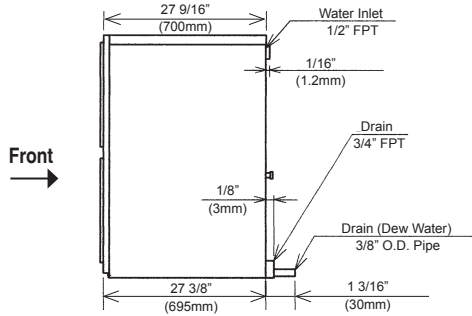
KM-600MAH
03/30/17
Item # 13231

FRONT VIEW



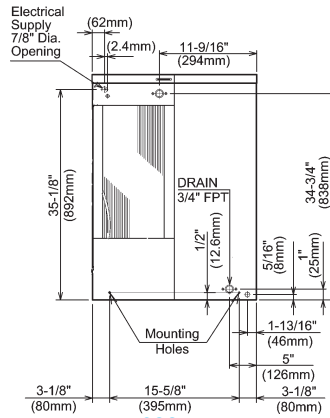
AIR-COOLED

SIDE VIEW



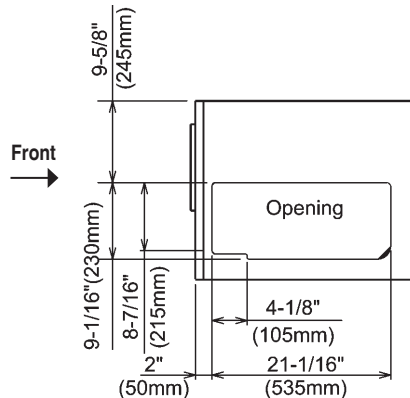
AIR-COOLED

REAR VIEW



AIR-COOLED

BOTTOM VIEW



AIR-COOLED