



KM-61BAH

**SELF-CONTAINED CUBER
WITH BUILT-IN STORAGE BIN**



KM-61BAH
01/18/18
Item # 13216


W x D x H
17³/₄" x 24¹/₄" x 39" *
*including 6" legs


Shipping Dimensions
21" x 27" x 39¹/₂"

KM-61BAH
Air-Cooled



Features

- ▶ Individual crescent cube
- ▶ Stainless steel evaporator
- ▶ CycleSaver™ design 

- Up to 71 lbs. of ice production per 24 hours
- Built-in storage capacity of 1.3ft³/38 lbs.*
- Durable stainless steel exterior
- Front in, front out airflow
- Slide in door
- Removable air filter
- Power switch accessible without panel removal
- Built-in install without legs is 33"H
- EverCheck™ alert system 
- H-GUARD Plus Antimicrobial adds extra protection to the ice scoop (included)
- R-134a Refrigerant
- *Optional Drain pump assembly - HS-5061*

Warranty:

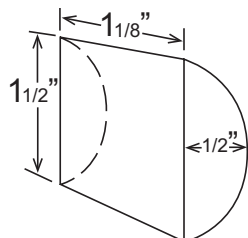
3 Year Parts & Labor on entire machine. 5 Year Parts & Labor on Evaporator. 5 Year Parts on Compressor; air-cooled condenser coil. 1 Year - HS-5061 Drain Pump Assembly - Parts & Labor. Valid in United States, Canada, Puerto Rico and U.S. Territories. Contact factory for warranty in other countries. *Rated in accordance with AHRI Standard 820(I-P). Capacity based on 100% of total volume x 30 lb/ft³ average density of ice.



ICE PRODUCTION WATER USAGE ELECTRICAL

Condenser	Model	Air / Water Temp		Potable	Condenser	kWh Used	Max. Fuse Size	Amperage	Voltage	Heat Rejection BTU/hr.	Refrigerant Charge Amount	Net / Ship Weight (lbs.)
		Lbs. per 24 hours	70°/ 50°F	90°/ 70°F	Gal. per 100 lbs.	Gal. per 100 lbs.	per 100 lbs.					
Air-Cooled	KM-61BAH	71	50	20.6	N/A	10.6	15A	3.4A	115V/60/1	1,350	7.1 oz.	92 / 121

KM Cube Dimensions*



* approximate size in inches, image not to scale

Operating Limits

- Ambient Temp Range 45 - 100°F
- Water Temp Range 45 - 90°F
- Water Pressure 10 - 113 PSIG
- Voltage Range 104 - 127V

Service

- Allow enough space at rear for water supply and drain connections, at least 12" (30 cm) clearance at front and at least 0.6" (15 mm) clearance at top for maintenance.

Plumbing

- Icemaker Water Supply Line: Minimum 1/4" Nominal ID Copper Water Tubing or Equivalent
- Icemaker Drain Line: Minimum 3/4" Nominal ID Hard Pipe or Equivalent



KM-61BAH

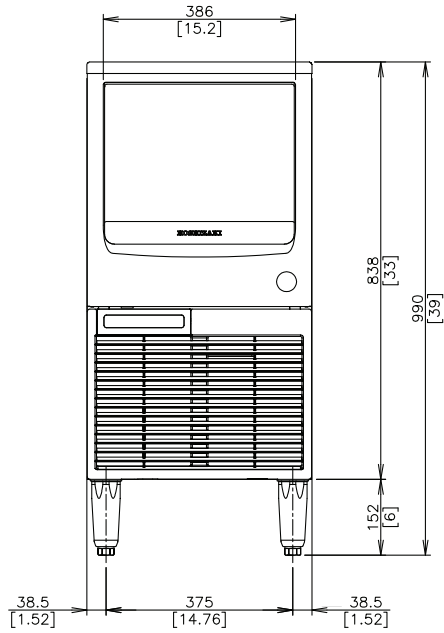
**SELF-CONTAINED CUBER
WITH BUILT-IN STORAGE BIN**



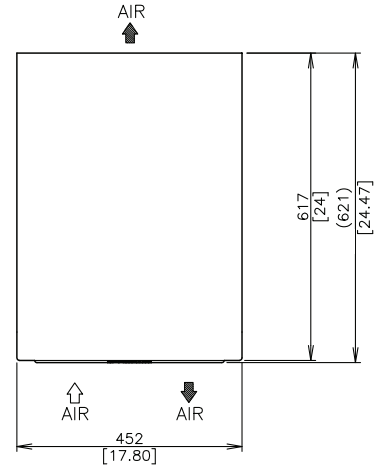
KM-61BAH
01/18/18
Item # 13216

mm
[inch]

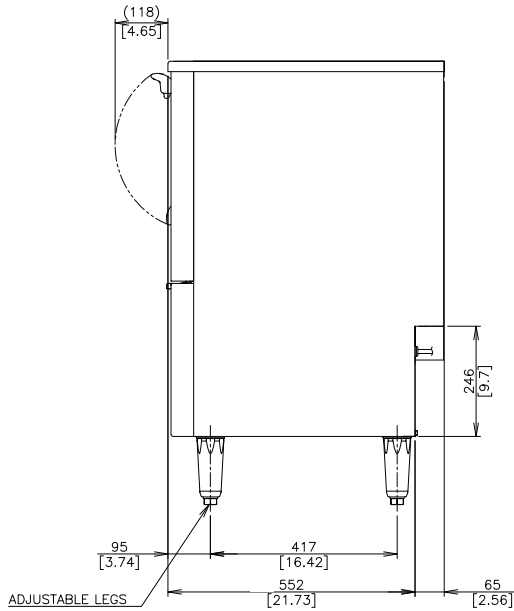
FRONT VIEW



TOP VIEW



SIDE VIEW



POWER CORD 2000 LONG OUT SIDE

REAR VIEW

