



# KM-901M\_H(3)

## MODULAR CRESCENT CUBER



KM-901M\_H(3)  
08/05/21  
Item # 13223

Item #: \_\_\_\_\_  
 Project: \_\_\_\_\_  
 Qty: \_\_\_\_\_  
 AIA#: \_\_\_\_\_

**W x D x H**  
30" x 27<sup>3</sup>/<sub>8</sub>" x 37<sup>7</sup>/<sub>16</sub>"

Shipping Dimensions  
33<sup>1</sup>/<sub>4</sub>" x 33<sup>1</sup>/<sub>2</sub>" x 44"



### KM-901MAH

Air-Cooled

Shown on optional bin B-900

### KM-901MWH

Water-Cooled

### KM-901MRH

Remote Air-Cooled 1 Phase

### KM-901MRH3

Remote Air-Cooled 3 Phase

## Features

- ▶ Individual crescent cube
- ▶ Stainless steel evaporator
- ▶ CycleSaver™ design

- Up to 928 lbs. of ice production per 24 hours
- Durable stainless steel exterior
- Protected by H-GUARD Plus Antimicrobial Agent
- EverCheck™ alert system
- Removable air filters (Air-cooled model only)
- R-404A Refrigerant

### Available on Bins:

B-250PF B-700PF/SF B-900PF/SF B-1300SS B-1650SS\*  
B-500PF/SF B-800PF/SF B-1150SS B-1500SS\*

Top kit may be required. See Bin Spec Sheets. \*Two unit application only.

### Warranty:

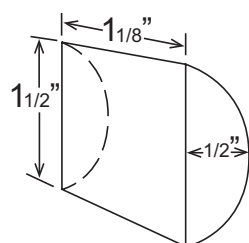
3 Year Parts & Labor on entire machine. 5 Year Parts & Labor on Evaporator. 5 Year Parts on Compressor; air-cooled condenser coil. Valid in United States, Canada, Puerto Rico and U.S. Territories. Contact factory for warranty in other countries.



	Condenser	Model	ICE PRODUCTION		WATER USAGE			ELECTRICAL*				Heat Rejection BTU/hr.	Refrigerant Charge Amount	Net / Ship Weight (lbs.)
			Air / Water Temp Lbs. per 24 hours 70°/ 50°F	90°/ 70°F	Potable Gal. per 100 lbs. 90°/ 70°F	Condenser Gal. per 100 lbs. 90°/ 70°F	kWh Used per 100 lbs. 90°/ 70°F	Max. Fuse Size or HACR Circuit Breaker	Amperage	Voltage	Circuit Wires (including ground)			
1 Phase	Air	KM-901MAH	920	813	16.0	N/A	5.1	20A	11.4A	208-230/60/1	3	15,600	15,600	196 / 256
	Water	KM-901MWH	928	864	20.8	128	4.5	15A	8.7A	208-230/60/1	3	10,100	10,100	189 / 249
3 Phase	Remote	KM-901MRH	889	785	19.3	N/A	5.4	20A	11.6A	208-230/60/1	3	14,000	14,000	189 / 249
	Remote	KM-901MRH3	899	815	18.0	N/A	5.4	20A	7.0A	208-230/60/3	4	14,100	14,100	198 / 258

\*If neutral is not available transformer kit (HS-5030) is required. Refer to instruction manual for installation and electrical requirements.

### KM Cube Dimensions\*



\* approximate size in inches, image not to scale

### Operating Limits

- Ambient Temp Range 45 - 100°F
- Water Temp Range 45 - 90°F
- Water Pressure 10 - 113 PSIG
- Voltage Range 187-253V

### Service

- Panels easily removed and all components accessible for service.
- Allow 6" (15 cm) clearance at rear, sides, and top for proper air circulation and ease of maintenance/ service.

### Plumbing

- Icemaker Water Supply Line: Min. 1/2" Nominal ID Copper Water Tubing or Equivalent
- Icemaker Drain Line: Min. 3/4" Nominal ID Hard Pipe or Equivalent
- Water-Cooled Model (Lines Must Be Independent of Icemaker)
- Condenser Water Supply Line: Min. 1/2" Nominal ID Copper Water Tubing or Equivalent
- Condenser Drain/Return Line: Min. 3/8" Nominal ID Hard Pipe (open drain system) or Copper Water Tubing (closed loop system) or Equivalent

### Water Filter

Please refer to water filter spec sheet for recommended configurations.

Hoshizaki reserves the right to change specifications without notice.



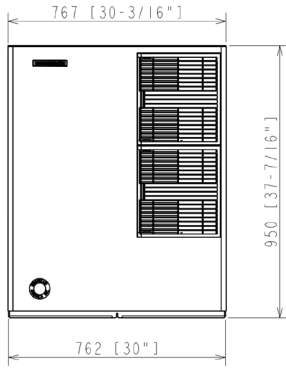
# KM-901M\_H(3)

MODULAR CRESCENT CUBER

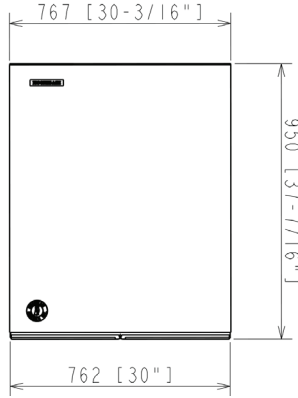


KM-901M\_H(3)  
08/05/21  
Item # 13223

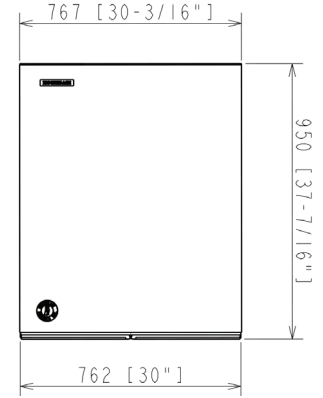
## FRONT VIEW



**AIR-COOLED**

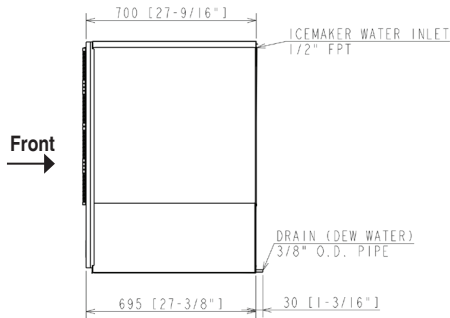


**WATER-COOLED**

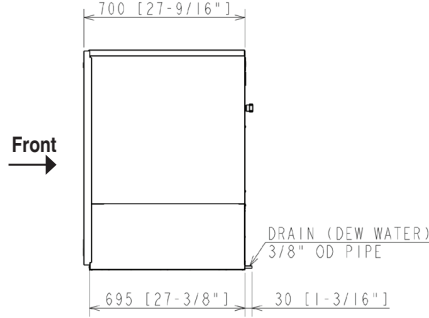


**REMOTE AIR-COOLED**

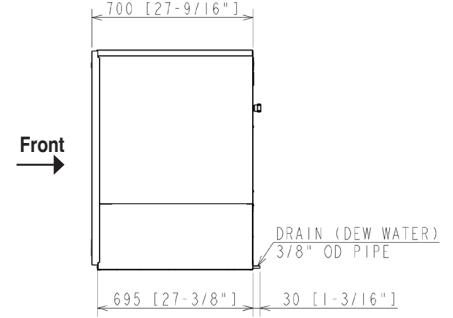
## SIDE VIEW



**AIR-COOLED**

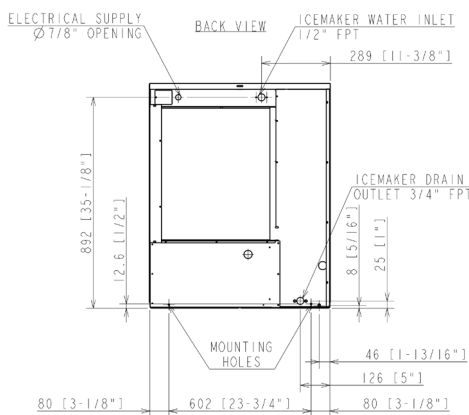


**WATER-COOLED**

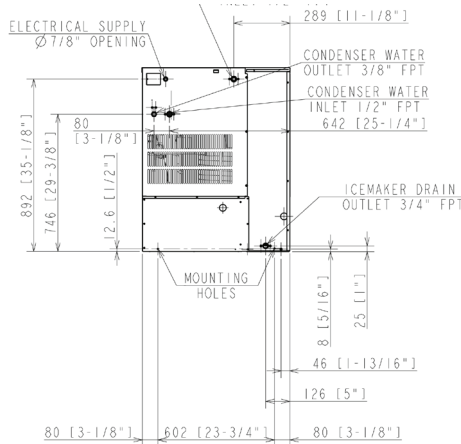


**REMOTE AIR-COOLED**

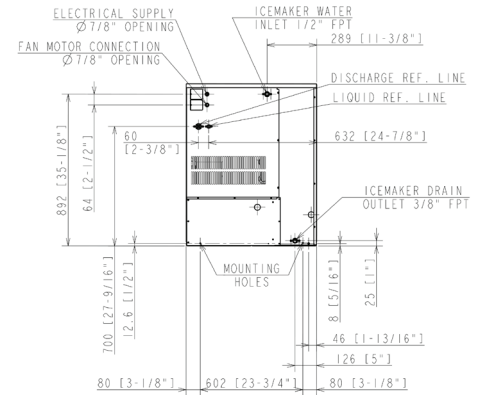
## REAR VIEW



**AIR-COOLED**

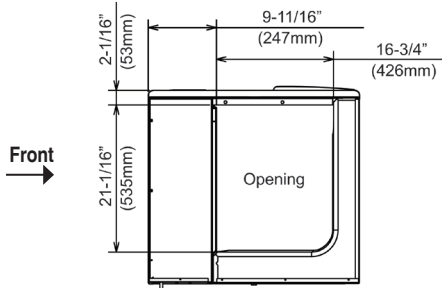


**WATER-COOLED**



**REMOTE AIR-COOLED**

## BOTTOM VIEW



**AIR-COOLED  
WATER-COOLED  
REMOTE AIR-COOLED**

**Pre-Charged Tubing Kits (Sold Separately)**  
20' R404-2068-2  
35' R404-3568-2  
55' R404-5568-2



Voltage supply for the URC Remote Condenser is supplied from the Ice Maker. No additional circuit is required.

**URC-9F Remote Condenser (Sold Separately)**  
(W x D x H) 35<sup>11/16</sup> x 14<sup>1/16</sup> x 36<sup>1/2</sup>  
For Use with KM-901MRH(3)

