

KML-451M_H

LOW-PROFILE MODULAR CRESCENT CUBER

Item # _____

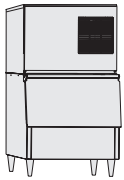
Project: _____

Qty: _____
 *AutoCad available on KCL

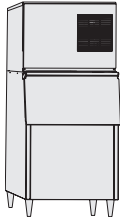
KML-451M_H
 04/05/16
 Item # 13211

CUBER DIMENSIONS W x D x H

KML-451M_H
 30 x 27^{3/8} x 22



B-250



B-500

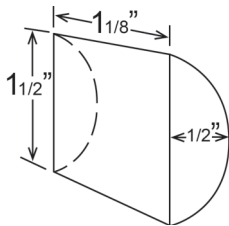


DB-200

Also available on
 Bins:
 B-700PF/SF
 B-800PF/SF
 B-900PF/SF

Large Bins:
 B-1150SS
 B-1300SS
 B-1500SS
 B-1650SS

*KM CUBE DIMENSIONS



*approximate size in inches, image not to scale



KML-451MAH

Air-Cooled
 Shown on an optional
 B-500

KML-451MWH

Water-Cooled

- Up to 429 lbs. of ice production per 24 hours
- Durable stainless steel exterior
- Individual crescent cube
- Protected by H-GUARD Plus Antimicrobial Agent
- CycleSaver™ Design
- EverCheck™ alert system
- Stainless steel evaporator
- Removable air filters
- R-404A Refrigerant

* The KML-451MAH is ENERGY STAR qualified.

Warranty

Valid in United States, Canada, Puerto Rico, & U.S. Territories. Contact factory for warranty in other countries.

Three Year - Parts & Labor on entire machine.

Five Year - Parts & Labor on: Evaporator.

Five Year - Parts on: Compressor, air-cooled condenser coil.



© HOSHIZAKI AMERICA, INC.



DIMENSIONS
W x D x H
KML-45IM_H
30 x 27^{3/8} x 22

- Air-cooled
- Water-cooled

AIR-COOLED

Water Temp ° F.	50°	70°	90°
Air Temp ° F.			
70°	401	386	355
80°	389	366	329
90°	386	349	314

WATER-COOLED

Water Temp ° F.	50°	70°	90°
Air Temp ° F.			
70°	429	425	408
80°	426	421	396
90°	425	417	395

UTILITY CONSUMPTION

Model Number	Ice Production Per Cycle		KWH per 100 LBS. 90/70	Potable Water Gal. per 100 lbs.	Condenser Water Gal. per 100 lbs.
	Lbs.	Cubes			
KML-451MAH	7.6	360	6.1	18.0	NA
KML-451MWH	7.8	360	5.2	20.0	110

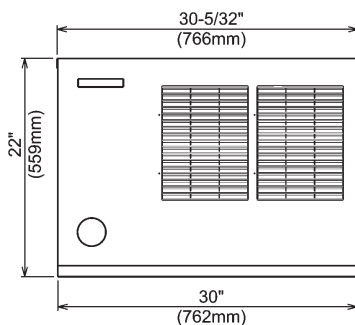
SPECIFICATIONS

Model Number	Condenser	Amperage	Min. Circuit Ampacity	Shipping Weight
KML-451MAH	Air-Cooled	9.5	20A	185 lbs.
KML-451MWH	Water-Cooled	9.8	20A	185 lbs.

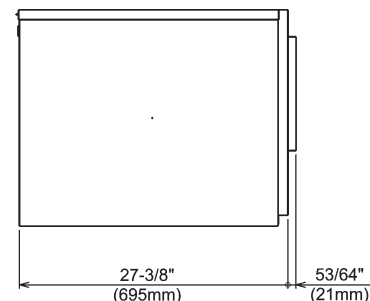
STORAGE BINS

Model Number	ARI-Rated Storage Capacity*
B-250	230 lbs.
B-500	360 lbs.
B-700	550 lbs.
B-800	600 lbs.
B-900	660 lbs.
B-1150	900 lbs.
B-1300	950 lbs.
B-1500	1120 lbs.
B-1650	1210 lbs.

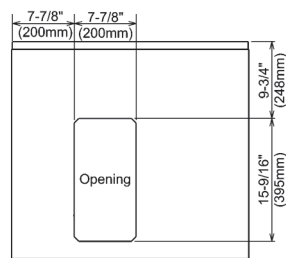
* Rated in accordance with AHRI Standard 820 (I-P)



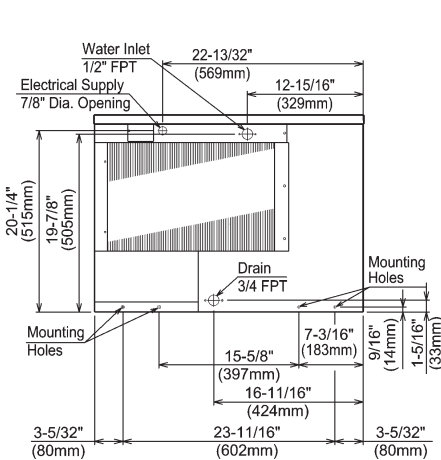
FRONT VIEW



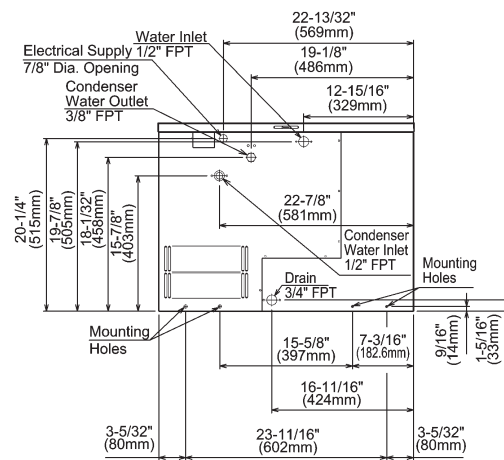
SIDE VIEW



ICE DROP ZONE



AIR-COOLED UNIT



WATER-COOLED UNIT

ELECTRICAL & PLUMBING/KML-45IM_H

- 115/60/1
- 20 Amp Max Fuse/HACR Breaker Size
- Icemaker Water Supply Line: Minimum 1/4" Nominal ID Copper Water Tubing or Equivalent
- Icemaker Drain Line: Minimum 3/4" Nominal ID Hard Pipe or Equivalent



© HOSHIZAKI AMERICA, INC.

ELECTRICAL & PLUMBING

Water-Cooled Model (Lines Must be Independent of Icemaker)

- Condenser Water Supply Line: Minimum 1/4" Nominal ID Copper Water Tubing or Equivalent
- Condenser Drain/Return Line: Minimum 1/4" Nominal ID Hard Pipe (open drain system) or Copper Water Tubing (closed loop system) or Equivalent

OPERATING LIMITS

- Ambient Temp Range 45 - 100°F
- Water Temp Range 45 - 90°F
- Water Pressure 10 - 113psi
- Voltage Range 104 - 127V

SERVICE

- Panels easily removed and all components accessible for service.
- Removable/cleanable air filters. (Air-cooled models only)

