

# KML-631M\_H

## LOW-PROFILE MODULAR CRESCENT CUBER

Item # \_\_\_\_\_

Project: \_\_\_\_\_

Qty: \_\_\_\_\_

\*AutoCad available on KCL

KML-631M\_H

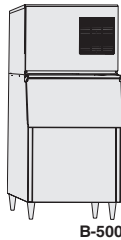
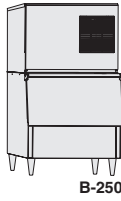
04/04/15

Item # 13192

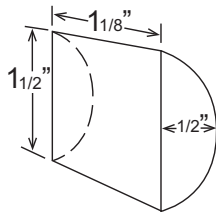
### CUBER DIMENSIONS

W x D x H

**KML-631M\_H**  
30 x 27<sup>3/8</sup> x 26



### \*KM CUBE DIMENSIONS



\*approximate size in inches, image not to scale



### KML-631MAH




Air-Cooled  
Shown on an optional  
B-500

### KML-631MWH

Water-Cooled

### KML-631MRH

Remote Air-Cooled

- Up to 671 lbs. of ice production per 24 hours
- Durable stainless steel exterior
- Individual crescent cube
- Protected by H-GUARD Plus Antimicrobial Agent 
- CycleSaver™ Design 
- EverCheck™ alert system 
- Stainless steel evaporator
- Removable air filters (Air-cooled models only)
- R-404A Refrigerant

\* The KML-631MAH and KML-631MRH are ENERGY STAR qualified.

### Warranty

Valid in United States, Canada, Puerto Rico, & U.S. Territories. Contact factory for warranty in other countries.

**Three Year** - Parts & Labor on entire machine.

**Five Year** - Parts & Labor on: Evaporator

**Five Year** - Parts on: Compressor, air-cooled condenser coil.



© HOSHIZAKI AMERICA, INC.



# Hoshizaki

## KML-63IM\_H LOW-PROFILE MODULAR CRESCENT CUBER

**DIMENSIONS**  
W x D x H  
**KML-63IM\_H**  
30 x 27<sup>3/8</sup> x 26

- Air-cooled
- Water-cooled
- Remote Air-cooled

### AIR-COOLED

Water Temp ° F.	50°	70°	90°	
Air Temp ° F.	70°	605	577	538
80°	584	541	500	
90°	577	<b>510</b>	469	

### WATER-COOLED

Water Temp ° F.	50°	70°	90°	
Air Temp ° F.	70°	671	656	622
80°	660	636	595	
90°	656	<b>620</b>	581	

### REMOTE AIR-COOLED

Water Temp ° F.	50°	70°	90°	
Air Temp ° F.	70°	645	632	591
80°	635	614	561	
90°	632	<b>600</b>	551	

### UTILITY CONSUMPTION

Model Number	Ice Production Per Cycle		KWH per 100 LBS. 90/70	Potable Water Gal. per 100 lbs.	Condenser Water Gal. per 100 lbs.
	Lbs.	Cubes			
KML-631MAH	10.5	480	5.7	16.0	N/A
KML-631MWH	10.5	480	4.2	16.0	120
KML-631MRH	10.7	480	5.3	16.0	N/A

### SPECIFICATIONS

Model Number	Condenser	Amperage	Min. Circuit Ampacity	Shipping Weight
KML-631MAH	Air-Cooled	8.1	20 A	220 lbs.
KML-631MWH	Water-Cooled	8.0	20 A	217 lbs.
KML-631MRH	Remote Air-Cooled	7.6	20 A	220 lbs.

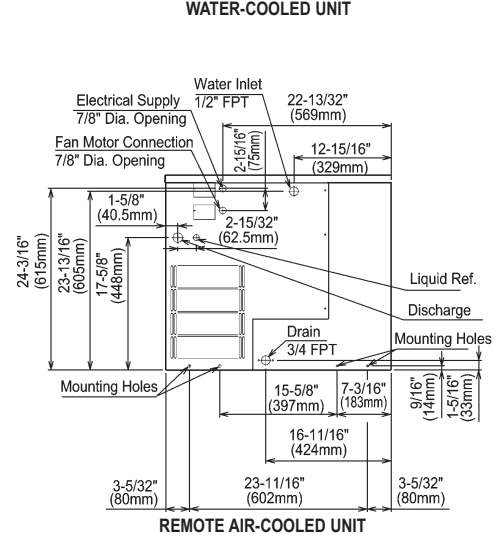
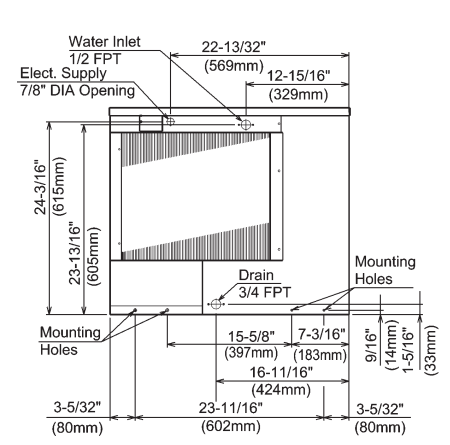
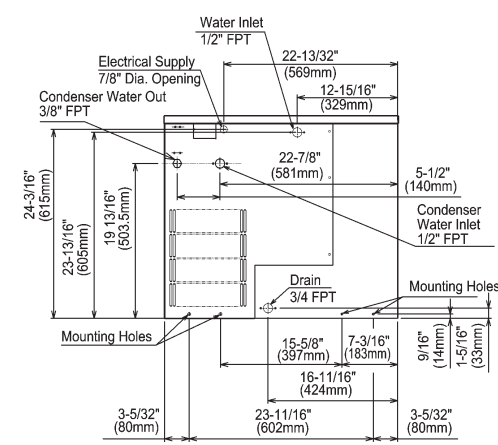
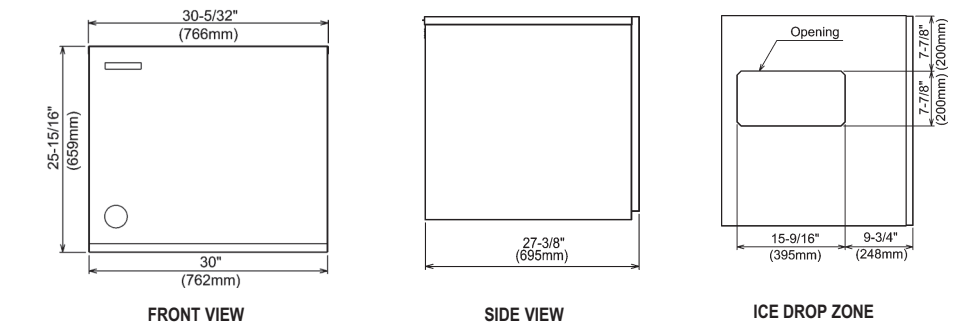
### STORAGE BINS

Model Number	AHRI-Rated Storage Capacity*
B-250	230 lbs.
B-500	360 lbs.
B-700	550 lbs.
B-800	600 lbs.
B-900	660 lbs.
B-1150	900 lbs.
B-1300	950 lbs.
B-1500	1120 lbs.
B-1650	1210 lbs.

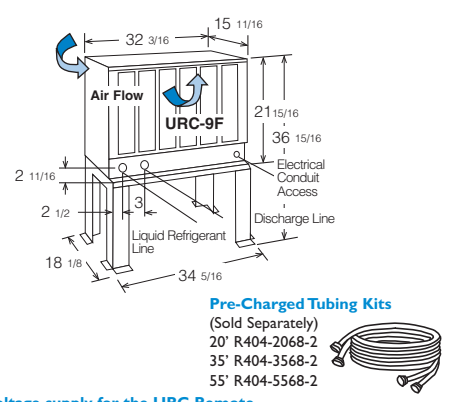
\* Rated in accordance with AHRI Standard 820 (I-P)

### ELECTRICAL & PLUMBING/KML-63IM\_H

- 208-230/60/1 (3 wire with dedicated neutral for 115V)
- 20 Amp Max Fuse/HACR Breaker Size
- Ice Maker Water Supply Line: Minimum 1/4" Nominal ID Copper Water Tubing or Equivalent
- Ice Maker Drain Line: Minimum 3/4" Nominal ID Hard Pipe or Equivalent



**URC-9F Remote Condenser** (Sold Separately)  
For Use with KML-631MRH



Voltage supply for the URC Remote Condenser is supplied from the Ice Maker. No additional circuit is required.

### ELECTRICAL & PLUMBING

- Water-Cooled Model (Lines Must Be Independent of Ice Maker)
- Condenser Water Supply Line: Minimum 1/4" Nominal ID Copper Water Tubing or Equivalent
  - Condenser Drain/Return Line: Minimum 1/4" Nominal ID Hard Pipe (open drain system) or Copper Water Tubing (closed loop system) or Equivalent

### SERVICE

- Panels easily removed and all components accessible for service.
- Removable/cleanable air filters (Air-cooled models only)

### OPERATING LIMITS

- Ambient Temp Range 45 - 100°F
- Water Temp Range 45 - 90°F
- Water Pressure 10 - 113psig
- Voltage Range 187 - 253V

### CONDENSING UNIT

- Voltage Range 104 - 127V
- Ambient Temp Range -22 - 122°F

