



KMS-822MLH


SERENITY SERIES CUBER ICE MACHINE





KMS-822MLH
03/31/2017
Item # 13269

Item #: _____
Project: _____
Qty: _____
AIA#: _____

Features

- ▶ Individual crescent cube
- ▶ Stainless steel evaporator
- ▶ CycleSaver™ design 

- Up to 839 lbs. of ice production per 24 hours
- Durable stainless steel exterior
- Protected by H-GUARD Plus  Antimicrobial Agent
- EverCheck™ alert system 
- Less heat in the kitchen
- Minimized noise
- CFC / HFC Free Foam
- R-404A Refrigerant
- Not recommended for side-by-side application

Warranty:

3 Year Parts & Labor on entire machine. 5 Year Parts & Labor on Evaporator. 5 Year Parts on Compressor; air-cooled condenser coil. Valid in United States, Canada, Puerto Rico and U.S. Territories. Contact factory for warranty in other countries.

W x D x H
22" x 24^{5/8}" x 28"

Installation Dimension*
SRK-10H
52^{3/8}" x 19^{1/2}" x 43"

*Dimensions include legs

Actual Dimension
SRK-10H
50" x 17" x 28"

KMS-822MLH
Remote Air-Cooled
Shown on optional
Lancer 22" Dispenser



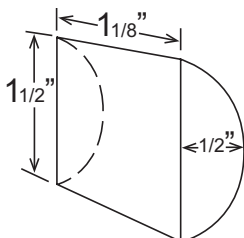
Condenser	Model	ICE PRODUCTION		WATER USAGE		ELECTRICAL			Heat Rejection BTU/hr.	Shipping Weight	ENERGY STAR®			
		Air / Water Temp Lbs. per 24 hours 70°/50°F 90°/70°F	Per Cycle Lbs. Cubes	Potable Gal. per 100 lbs. 90°/70°F	Condenser Gal. per 100 lbs. 90°/70°F	kWh Used per 100 lbs. 90°/70°F	Max. Fuse Size or HACR Circuit Breaker	Amperage				Voltage		
Remote Air-Cooled	KMS-822MLH	839	774	13.6	624	19.3	N/A	5.6	20A	11.5A	115-120V/60/1*	16,200	152 lbs.	

Condenser	Model	LINE SETS - Brazing Required			TEMP RANGE	ELECTRICAL			Heat Rejection BTU/hr.	Shipping Weight	ENERGY STAR®	
		25' Length	35' Length	55' Length	Ambient (Outdoor Use)	Voltage Range	Max. Fuse Size or HACR Circuit Breaker	Amperage				Voltage
Remote	SRK-10H	HS-0250*	HS-0251*	HS-0252*	-20 - 122°	187-253VAC	20A	11.5A	208-230V/60/1	16,200	273 lbs.	

* Voltage supply for KMS Ice Maker is supplied from the SRK Remote Condenser

* line sets require refrigerant

KM Cube Dimensions*



* approximate size in inches, image not to scale

Operating Limits KMS-822MLH

- Ambient Temp Range 45 - 100°F
- Water Temp Range 45 - 90°F
- Water Pressure 10 - 113 PSIG
- Voltage Range 187-253V*

Service KMS-822MLH

- Allow 6" (15 cm) clearance at rear, sides, and top for proper air circulation and ease of maintenance/service.
- Allow 28" (71 cm) clearance on left side for removal of cube guides
- Panels easily removed and all components accessible for service.

* Voltage supply for KMS Ice Maker is supplied from the SRK Remote Condenser

Plumbing KMS-822MLH

- Icemaker Water Supply Line: Minimum 1/4" Nominal ID Copper Water Tubing or Equivalent
- Icemaker Drain Line: Minimum 3/4" Nominal ID Hard Pipe or Equivalent

Service- SRK-10H

- Allow 24" (61 cm) clearance in both front and rear for proper air circulation and ease of maintenance/service.
- For best performance the Remote Condenser should not be more than 33 feet above the icemaker or no more than 10 feet below it. These distances are measure from fitting to fitting.



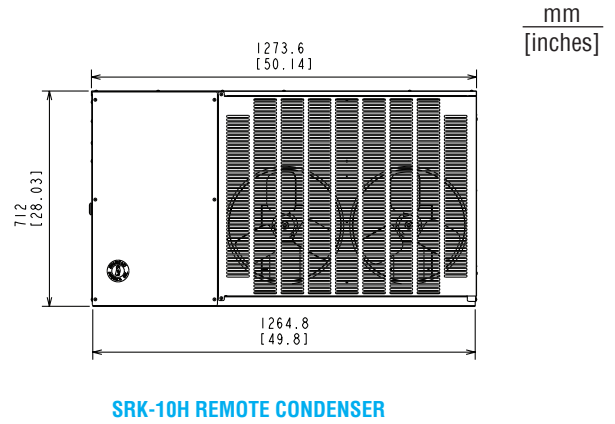
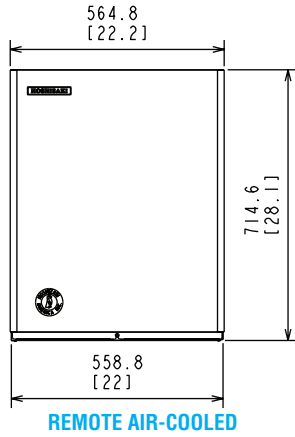
KMS-822MLH

SERENITY SERIES CUBER ICE MACHINE

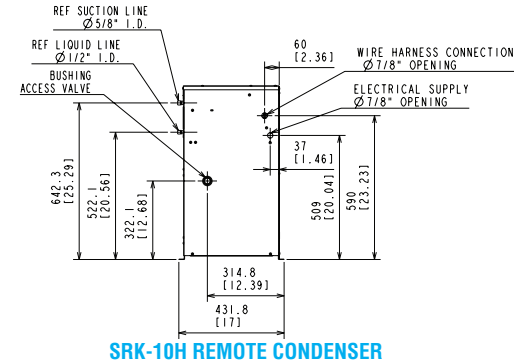
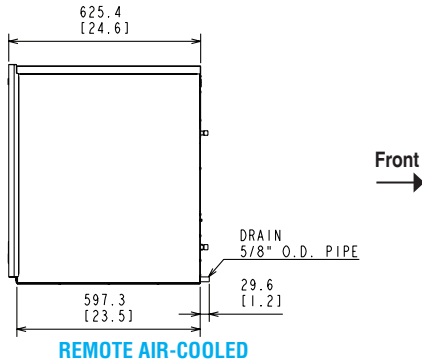


KMS-822MLH
03/31/2017
Item # 13269

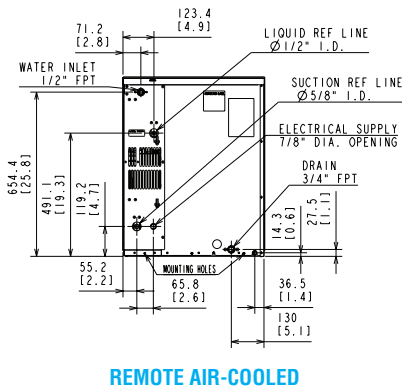
FRONT VIEW



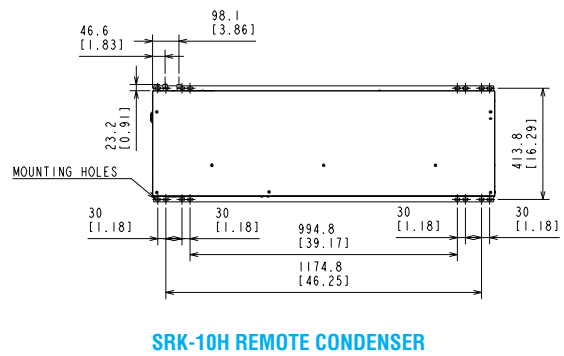
SIDE VIEW



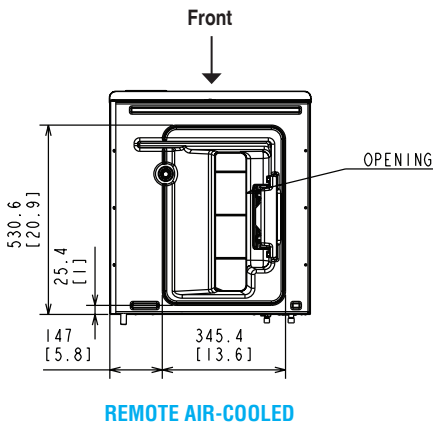
REAR VIEW



TOP VIEW



BOTTOM VIEW



Tubing Kits - Requires Field Brazing

(Sold Separately)

25' HS-0250

35' HS-0251

55' HS-0252

Voltage supply for the KMS Ice Maker

is supplied from the SRK Remote Condenser.

SRK-10H Remote Condenser (Sold Separately)
(W x D x H) 52^{3/8} x 19^{1/2} x 43
For Use with KMS-822MLH

