



# Overshelves

## Commercial Series Overshelves



Overshelves  
04/03/17  
Item # 13393

Item #: \_\_\_\_\_  
Project: \_\_\_\_\_  
Qty: \_\_\_\_\_  
AIA#: \_\_\_\_\_



### Features

- ▶ Heavy duty 16 gauge stainless steel construction
- ▶ Adjustable top and bottom pass-thru shelving
- ▶ Provides convenient storage

- Easily secures to base cabinet without special tools
- For use on undercounters, worktops, sandwich prep and mega top models, including drawer models.\*
- Durable stainless steel 1 1/2" tubular-style poles
- Top shelf adjustable 2 or 4 inches
- Bottom shelf adjustable 2 or 3 inches

#### Warranty:

90 day - Parts only. Valid in United States, Canada, Puerto Rico and U.S. Territories. Contact factory for warranty in other countries.



Accessory Number	Number of Shelves	Models	Exterior Dimensions W x D x H* <small>*Height of poles</small>	Shipping Dimensions W x D x H	Shipping Weight
HS-5172	Single	27" Cabinet	27" x 12" x 48"	55.25" x 18" x 5.5"	27 lbs.
HS-5236	Single	36" Cabinet	36" x 12" x 48"	55.25" x 18" x 5.5"	28 lbs.
HS-5173	Single	48" Cabinet	48" x 12" x 48"	55.25" x 18" x 5.5"	29 lbs.
HS-5174	Single	60" Cabinet	60" x 12" x 48"	67" x 16" x 5.5"	33 lbs.
HS-5175	Single	72" Cabinet	72" x 12" x 48"	79" x 17" x 5.5"	38 lbs.
HS-5163	Double	27" Cabinet	27" x 12" x 48"	55.25" x 18" x 5.5"	34 lbs.
HS-5237	Double	36" Cabinet	36" x 12" x 48"	55.25" x 18" x 5.5"	40 lbs.
HS-5164	Double	48" Cabinet	48" x 12" x 48"	55.25" x 18" x 5.5"	43 lbs.
HS-5165	Double	60" Cabinet	60" x 12" x 48"	67" x 16" x 5.5"	50 lbs.
HS-5166	Double	72" Cabinet	72" x 12" x 48"	79" x 17" x 5.5"	58 lbs.

\*Compatible with models manufactured since March 2016. (Serial # FXXXXXC and after)



# Overshelves

Commercial Series Overshelves



Overshelves  
04/03/17  
Item # 13393

## FRONT VIEW



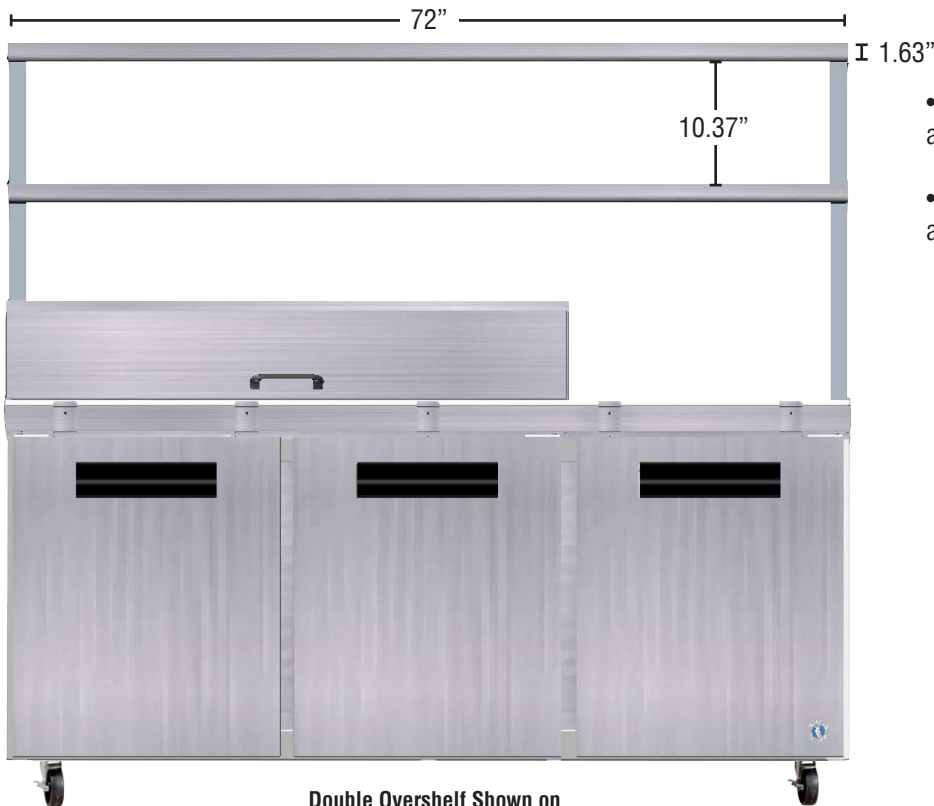
Double Overshelf Shown on  
CRMR27-12M

Double Overshelf Shown on  
CRMR48-12M

Double Overshelf Shown on  
CRMR60-12M

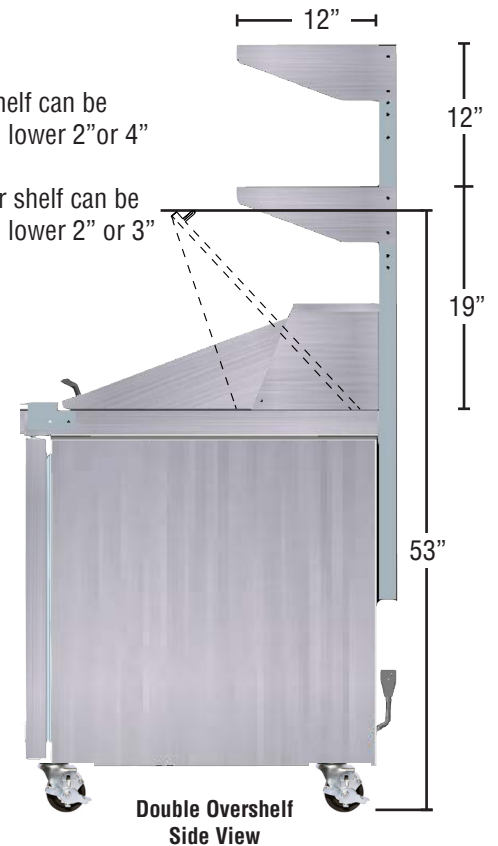
\*Overall height is 64.63" when used with Undercounter models

## FRONT VIEW



Double Overshelf Shown on  
CRMR72-18M

## SIDE VIEW



Double Overshelf  
Side View