



RM-26-HC

Glass Door Merchandiser with Swing Door



RM-26-HC
04/08/24
Item # 13518

W x D x H

29.75" x 29.75" x 79.75"



RM-26-HC



RM-26-HC-BLK



RM-26-HC-WHT



Dimensions / Capacity

One Section RM-26-HC

Interior Storage Capacity (CF)	26 ft ³
Overall Width x Depth	29.75" x 29.75"
Height	79.75"
Depth with Door Open	58.1"
Adjustable Shelves	5
Shelf Dimensions (W x D)	25.75" x 24"
Crated Shipping Weight	331 lbs.
Crated Length x Depth x Height	34" x 34" x 82"

Electrical / Refrigeration

One Section RM-26-HC

Voltage	115/60/1
HACR Breaker	15.0 Amps
Electrical Connection (NEMA)	5-15P ⓘ
Voltage Range	104-126
Ambient Temp. Range	60° to 86°F
Control Setpoint Range	32° to 39°F
Amperage	3.5
Energy Consumption (kWh/day) @ASHRAE	1.81
Approx. Nominal Compres. BTU/HR (HP)	1217(1/3HP)
Refrigerant / Charge Amount (oz)	R290 / (2.5oz)

Options

- Organizer shelf (HS-5291)
- Price tag holder (HS-5292)
- Epoxy Shelf (HS-5317)
- 4" Casters (HS-5288)

Warranty

3 Year - Parts and Labor on entire machine.
5 Year - Parts on Compressor
Valid in United States, Canada, Puerto Rico and U.S. Territories. Contact factory for warranty in other countries.

Item #: _____
Project: _____
Qty: _____
AIA#: _____

Features

- ▶ Curved vertical corners with silver/black/white aluminum exterior provide enhanced product display
- ▶ Forced air evaporator for quick temperature pull down
- ▶ Energy saving hot gas loop on front edge of cabinet helps prevent condensation

- Environmentally friendly R290 hydrocarbon refrigerant
- Listed under NSF/ANSI Standard 7 for the storage and/or display of packaged or bottled products
- Large glass door is energy efficient Low-E multi pane glass
- Doors are standard with locks
- (5) white epoxy coated shelves per section with product stops are standard
- LED illuminated exterior graphic display
- Energy efficient vertical LED interior lights illuminate products on display
- Door is mounted on heavy duty hinges with self-closing mechanism
- Silver painted aluminum exterior with NSF approved white steel interior and stainless steel floor
- Time-initiated automatic defrost
- Environmentally friendly CFC-Free Polyurethane insulation with cyclopentane blowing agent
- Stainless steel shelf clips adjustable in 1/2" increments on anodized aluminum supports
- Refrigerant flow is controlled with a capillary tube
- 8 Foot cord and plug
- 2 inch leveling legs standard
- Exterior finish available in silver, white, and black

Capacity:
20 oz. bottles: 360
12 oz. bottles: 900

Container Qty: 28

If GFCI is required, a GFCI breaker MUST be used in lieu of GFCI receptacle
Hoshizaki reserves the right to change specifications without notice.

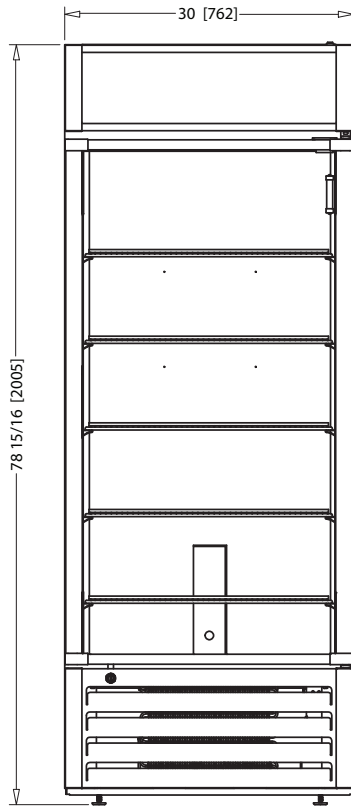


RM-26-HC

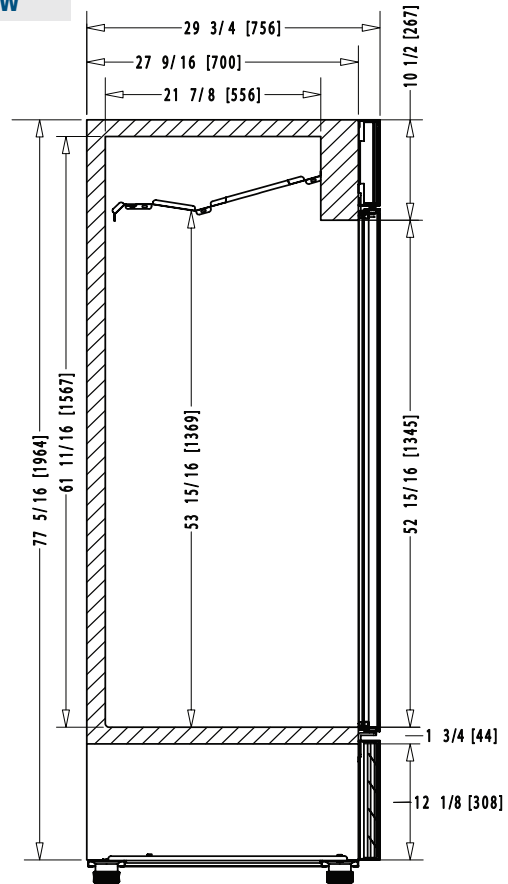
Glass Door Merchandiser with Swing Door

RM-26-HC
04/08/24
Item # 13518

FRONT VIEW

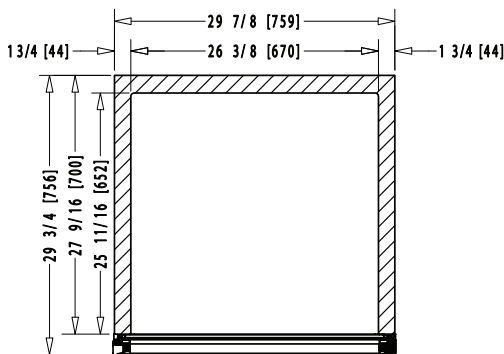


SIDE VIEW

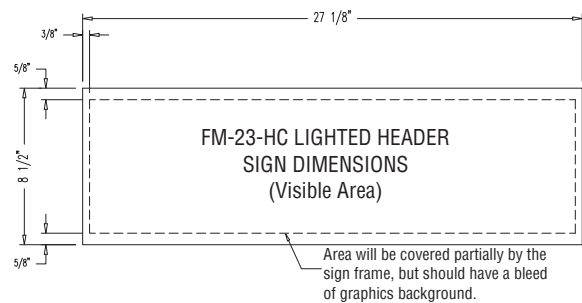


inch [mm]

PLAN VIEW



HEADER DIMS



Graphic Requirements:

- 360 dpi resolution. Scale 1=1
- Colors for CMYK process
- Image with 1/4" of excess by side
- Graphics must be saved in photoshop (with layers) (or your sign company file type requirements)
- Include a full color print out

Material Requirements:

- Thickness: 1/16" (1.5mm)
- Good- Acrylic/Pexiglass, Better - high impact acrysteel, acrylite SG
Best- Super impact Lexan, Lexan SG Polycarbonate

Note: Texts and important parts of the image should be within the visible area. The visible area is illustrated by dotted lines when it applies.