

ROX-20TB2-U

WATER ELECTROLYZER

Item # _____

Project: _____

Qty: _____

*AutoCad available on KCL

ROX-20TB2-U

6/13

Item # 13121

ROX-20TB2-U

Water Electrolyzer



ROX-20TB2-U

- Multiple-application liquid solution generator
- HACCP plan adaptable for streamlined cleaning practices, food safety and industrial hygiene management
- Operation: basic non-contact, on-demand remote faucet or optional storage system
- Patented designs
- Compact profile
- Low operating cost
- Easy routine maintenance

* All rules and regulations set forth by the State Board of Health

* EPA Est. 072799-JPN-001



Warranty

Warranty valid in United States, Canada, Puerto Rico, & U.S. Territories. Contact factory for warranty in other countries.

One Year - Parts & Labor on entire unit: excluding electrodes

One Year or 3000 Hours - Parts on: electrodes

(Units log & display hours of usage.)



Hoshizaki

ROX-20TB2-U WATER ELECTROLYZER

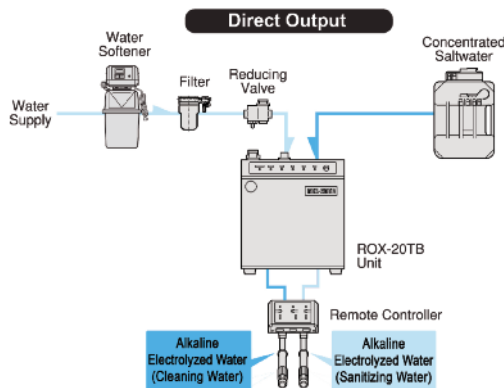
ROX-20TB2-U • Water Electrolyzer

UTILITY INFORMATION

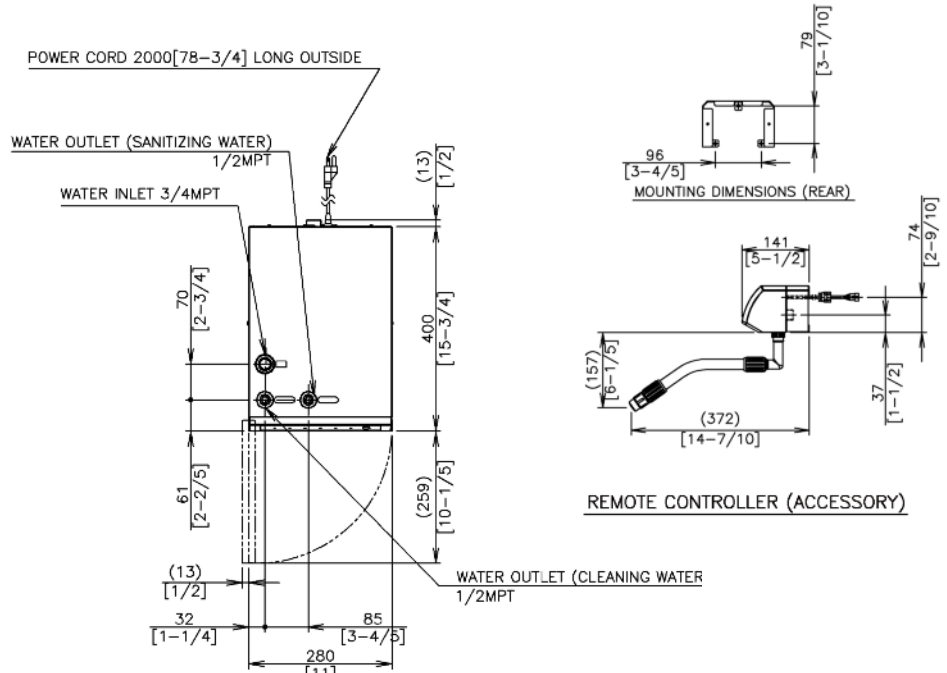
| | | |
|--------------------------------|--|--|
| Power Supply | 1-Phase 115 Vac, 60 Hz | |
| Amperage | 3.0 A | |
| Standard Performance | Electrolyzed Water Production Rate | Acidic electrolyzed water (sanitizing water) / Alkaline electrolyzed water (cleaning water): Approx. 2.0 L/min (0.52 gal/min) |
| | Available Chlorine | Sanitizing Water: 20 mg/kg or more |
| | Electrolyzed Water pH | Sanitizing Water: Approx. 3 or less, Cleaning Water: Approx. 11 or more, [Note] Water Temp. 25° C (75° F), Electrolytic Voltage 12V, Electrolytic Current 10A (Peachtree City Water) |
| Reference Performance | Electrolyzed Water Production Rate | Sanitizing/Cleaning Water: Approx. 1.5 - 3.0 L/min (0.4 - 0.8 gal/min) (Min. water supply pressure of 0.15 Mpa (22 psig) required to ensure 2.0 - 3.0 L/min (0.52 - 0.8 gal/min)) |
| | Available Chlorine | Sanitizing Water: Min. 10 ⁻³ mg/kg (Production Rate: Approx. 3 L/min (0.8 gal/min)) |
| | Electrolyzed Water pH | Sanitizing Water: Approx. 3.3 or less Cleaning Water: Approx. 10.5 or more [Note] Depends on raw water quality, temperature, and electrolytic conditions |
| Exterior Dimensions | W: 280mm [11], D: 400mm [15-3/4], H: 310mm [12-3/16] | |
| Connections | Supply: G3/4 (reducing valve G1/2); outlet G1/2; drain G1/2 | |
| Weight | Approx. 22 kg (44 lbs) | |
| Water Supply | Must conform to waterworks standards, with water softener and filter required | |
| Usage Temperature Range | Ambient Temperature Range: 5-35°C (40-95°F) | |
| Installation Siting | Must meet interior specifications, with ventilation required | |
| Salt | Table salt (sodium chloride) from Salt Industry Center (min. purity 99%) | |
| Accessories | Saltwater Tank (5 L (1.32 gal)), Caps (2), Connection Hose Assy, Hose Clamps, pH Tester (TB, AZY), Chlorine Tester, Measuring Cup, Gaskets, Pressure Reducing Valve (0.15 Mpa (22 psig)), Operation Sheet, Braided Hose, Remote Controller, Elbow & Union Fittings, Rubber Dropper | |

Important Notes:
 1. Proper grounding is required. 2. The installation site must be clean, dust-free and well-ventilated. 3. External piping must be insulated to prevent condensation. 4. Pipe must have uniform resistance. 5. Rated properties are based on measurements at ambient temperature 30°C (86°F), water temperature 25°C (77°F), electrolytic voltage 12V, electrolytic current 10A, and production rate 2 L/min (0.52 gal/min) using water supplied by Peachtree City, GA. 6. Ensure the system is installed properly in accordance with conditions regarding placement, water supply and drainage, power supply, and other stipulations contained in the operation manual and installation manual. As actual space for installation may vary, allow approximately 10mm additional space in dimensions (space for ventilation and piping is in addition to the space for installation of the unit).

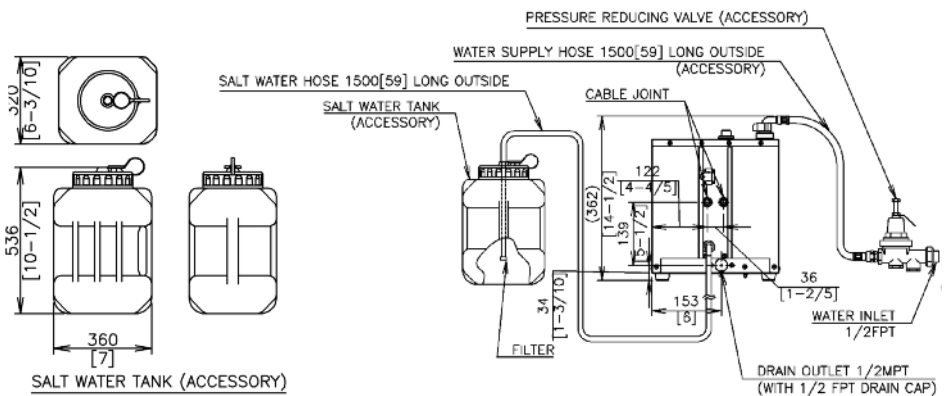
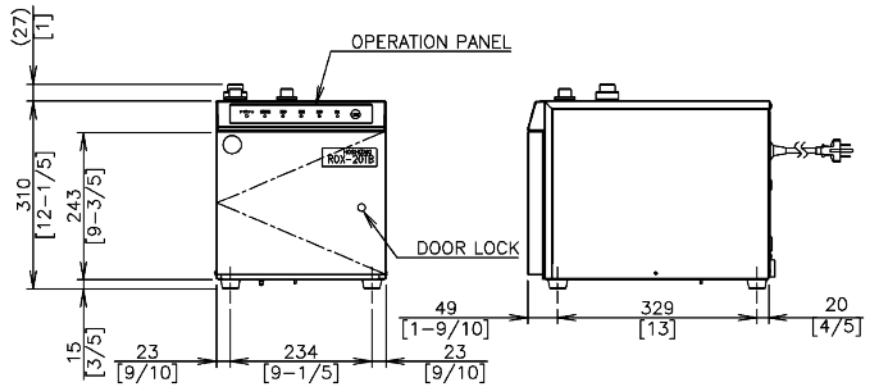
Piping Diagrams



*Dimensions in [] are in inches



REMOTE CONTROLLER (ACCESSORY)



ELECTRICAL/ROX-20TB2-U

• 115Vac/60Hz/1 Phase



© HOSHIZAKI AMERICA, INC.

618 Hwy. 74 S., Peachtree City, GA 30269

OPERATING LIMITS

- Ambient Temp Range: 40 - 95°F
- Water Temp: 40 - 85°F
- Water Pressure: 22 - 109psig
- Rated Voltage: ±10%

OPTIONS

- Water Connection Kit
- Storage System Float Switches
- Softener
- Filter

TEL 1-800-438-6087

FAX 1-800-345-1325

www.hoshizaki.com

Printed in U.S.A.

