



# UF27A-GLP01

Undercounter 27" Freezer with Glass Door



UF27A-GLP01  
11/07/18  
Item # 13452

Item #: \_\_\_\_\_

Project: \_\_\_\_\_

Qty: \_\_\_\_\_


AIA#: \_\_\_\_\_

### W x D x H

27" x 31.5" x 31.9"\*  
\*with 2.25" casters



## Features

- ▶ Engineered to maintain NSF-7 temperatures in 100°F ambient.
- ▶ Energy efficient LED interior lights with on/off switch
- ▶ Meets ADA requirements 



• Environmentally friendly R290 hydrocarbon refrigerant

• Stainless steel interior and exterior sides and top

• Cabinet and doors are insulated with 2" CFC free, foamed in place polyurethane

• Exclusive "stepped" door design to protect door gasket

• Spring assisted self-closing doors with stay open feature

• Extruded aluminum flush mount door handle

• Field reversible doors with kit

• Magnetic door gasket is easily removable for cleaning

• E-coated evaporator coil

• One epoxy coated shelf per section is standard

• Anodized aluminum shelf supports adjustable in 1/2" increments

• Standard with 2.25" casters (two with brakes)


• 10 ft. cord and plug

### Dimensions / Capacity

<b>Interior Storage Capacity</b> (CF)	7.21 ft <sup>3</sup>
<b>Interior Storage Capacity</b> (CF) (AHAM)	6.22 ft <sup>3</sup>
<b>Overall Width x Depth</b> (including 1" bumper)	27" x 31"
<b>Height</b> (including 2.25" casters)	32"
<b>Door Opening Width x Height</b>	22.6" x 23"
<b>Depth with Door Open at 90°</b> (including 1" bumper)	55.5"
<b>Adjustable Shelves</b>	1
<b>Shelf Dimensions</b> (W x D)	22" x 16"
<b>Crated Weight</b>	156 lbs.
<b>Crated Length x Width x Height</b>	36" x 31.5" x 35.5"

### One-Section UF27A-GLP01

### Electrical / Refrigeration

<b>Voltage</b>	115/60/1
<b>HACR Breaker</b>	15.0 Amps
<b>Electrical Connection</b> (NEMA)	5-15P 
<b>Voltage Range</b>	104-126
<b>Ambient Temp. Range</b>	45° to 100°F
<b>Control Setpoint Range</b>	-10° to 10°F
<b>Amperage</b>	2.5
<b>Energy Consumption</b> (kWh/day) @ASHRAE	2.08
<b>Heat Rejection</b> (BTU/Hr.) @NSF	463
<b>Approx. Nominal Compress.</b> BTU/HR (HP)	798 (1/5HP)
<b>Refrigerant / Charge Amount</b> (oz)	R290 (2.1 oz)

### One-Section UF27A-GLP01

### Options

- Additional epoxy shelves
- Door reversal kit
- Stainless steel shelves
- 4" casters
- 6" casters
- Overshelves

### Warranty

\* 3 Year - parts and Labor on entire machine.  
5 Year - Parts on Compressor  
Valid in United States, Canada, Puerto Rico and U.S. Territories. Contact factory for warranty in other countries.

*Hoshizaki reserves the right to change specifications without notice.*



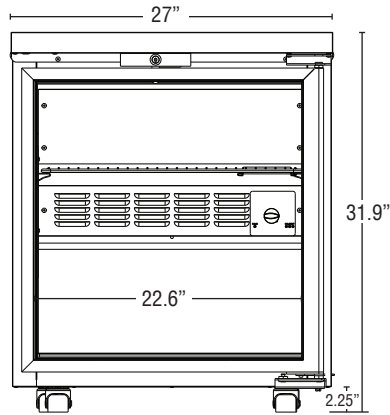
# UF27A-GLP01

Undercounter 27" Freezer with Glass Door

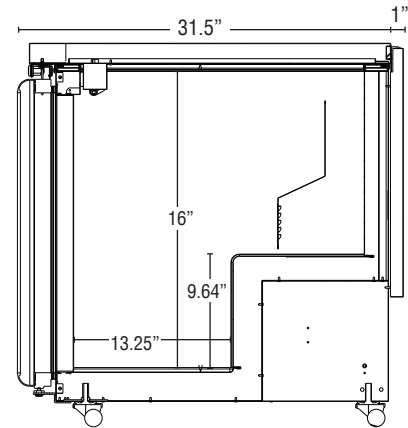


UF27A-GLP01  
11/07/18  
Item # 13452

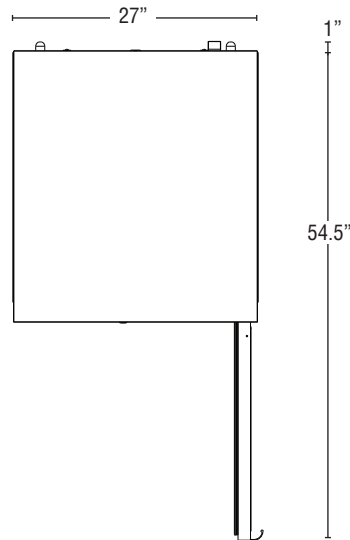
FRONT VIEW



SIDE VIEW



PLAN VIEW



### Cabinet Construction

The exterior cabinet top, front, and sides, are constructed of high quality stainless steel. The exterior back and bottom are constructed of coated steel. The cabinet interior features stainless steel back, sides, floor and ceiling. One heavy duty epoxy coated shelf per section is standard. Mounted on anodized aluminum pilasters the shelves are adjustable in 1/2" increments. Cabinet are insulated with 2" CFC free foamed in place polyurethane. 2.25" polyolefin, stem casters (two with brakes) are standard.

### Door Construction

Doors are constructed of high grade stainless steel exterior with an ABS interior liner and are insulated with 2" CFC free foamed in place polyurethane. Hoshizaki's exclusive "stepped" design protects the gasket while product is removed from the cabinet. Doors are provided with a one piece, extruded aluminum, flush mount handle. Spring assisted self-closing doors are equipped with a stay open feature past 90° degrees. Snap-in magnetic door gaskets are durable and easily removed for cleaning. Door hinging is field reversible (with an optional door reversal hinge kit).

### Refrigeration System

The high efficiency refrigeration system is self-contained with an E-coated evaporator for extended life. Condensate removal is accomplished with an energy efficient non-electric evaporation system. A capillary tube controls the flow of environmentally friendly R290 refrigerant through the evaporator. Unit is provided with an automatic time initiated heated defrost to remove any ice on the evaporator coil. 115 volt units are equipped with a ten foot cord and plug (20.0 amps or less).