



UR48A-GLP01

Undercounter 48" Refrigerator with Glass Door



UR48A-GLP01
11/07/18
Item # 13455

Item #: _____

Project: _____

Qty: _____


AIA#: _____

W x D x H

48" x 31.5" x 31.9"*
*with 2.25" casters



Features

- ▶ Engineered to maintain NSF-7 temperatures in 100°F ambient.
- ▶ Energy efficient LED interior lights with on/off switch
- ▶ Meets ADA requirements 

- Environmentally friendly R290 hydrocarbon refrigerant
- Stainless steel interior and exterior sides and top
- Cabinet is insulated with 2" of CFC free, foamed in place polyurethane
- Glass doors with locks are energy efficient multi-pane, argon filled
- Field reversible glass door (with optional kit)
- Innovative air distribution system distributes air evenly to maintain product temperature
- Spring assisted self-closing door with stay open feature
- One piece, full length chrome handle
- Front breathing air flow design
- Magnetic door gasket is easily removable for cleaning
- E-coated evaporator coil
- Anodized aluminum shelf supports adjustable in 1/2" increments
- Standard with 2.25" casters (two with brakes)
- 10 ft. cord and plug




Dimensions / Capacity

| | |
|--|-----------------------|
| Interior Storage Capacity (CF) | 13.66 ft ³ |
| Interior Storage Capacity (CF) (AHAM) | 12 ft ³ |
| Overall Width x Depth (including 1" bumper) | 48" x 32.5" |
| Height (including 2.25" casters) | 31.9" |
| Door Opening Width x Height | 19.5" x 23" |
| Depth with Door Open at 90° (including 1" bumper) | 52" |
| Adjustable Shelves | 1 |
| Shelf Dimensions (W x D) | 21.38" x 16" |
| Crated Weight | 265 lbs. |
| Crated Length x Width x Height | 52.5" x 36" x 35.5" |

Two-Section UR48A-GLP01

Electrical / Refrigeration

| | |
|---|---|
| Voltage | 115/60/1 |
| HACR Breaker | 15.0 Amps |
| Electrical Connection (NEMA) | 5-15P  |
| Voltage Range | 104-126 |
| Ambient Temp. Range | 45° to 100°F |
| Control Setpoint Range | 32° to 52°F |
| Amperage | 2.6 |
| Energy Consumption (kWh/day) @ASHRAE | 1.15 |
| Heat Rejection (BTU/Hr.) @NSF | 465 |
| Approx. Nominal Compres. BTU/HR (HP) | 798 (1/5HP) |
| Refrigerant / Charge Amount (oz) | R290 (2.6oz) |

Two-Section UR48A-GLP01

Options

- Additional epoxy shelves
- Door reversal kit
- Stainless steel shelves
- 4" casters
- 6" casters
- Overshelves

Warranty

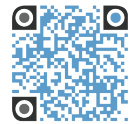
* 3 Year - parts and Labor on entire machine.
5 Year - Parts on Compressor
Valid in United States, Canada, Puerto Rico and U.S. Territories. Contact factory for warranty in other countries.

Hoshizaki reserves the right to change specifications without notice.



UR48A-GLP01

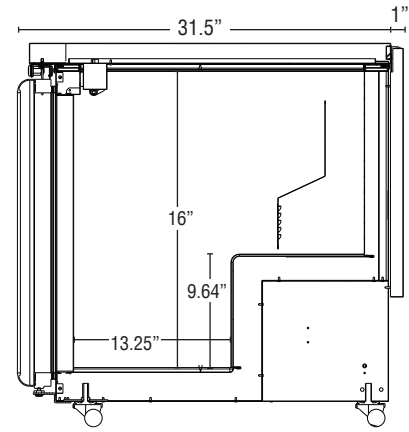
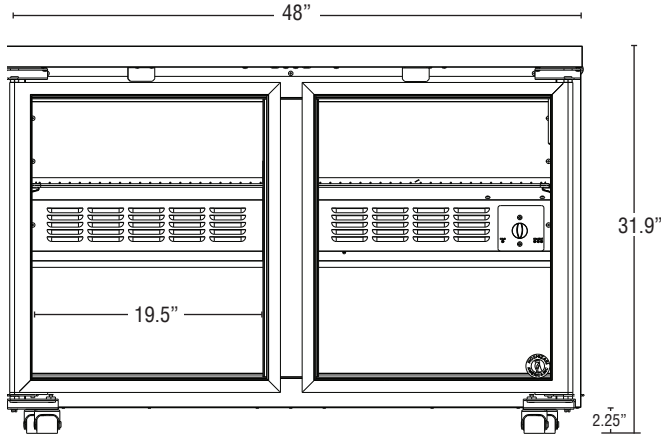
Undercounter 48" Refrigerator with Glass Door



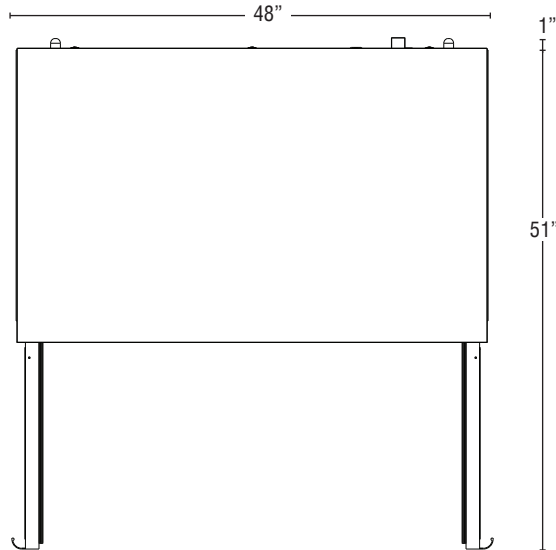
UR48A-GLP01
11/07/18
Item # 13455

FRONT VIEW

SIDE VIEW



PLAN VIEW



Cabinet Construction

The exterior cabinet top, front, and sides, are constructed of high quality stainless steel. The exterior back and bottom are constructed of coated steel. The cabinet interior features stainless steel back, sides, floor and ceiling. One heavy duty epoxy coated shelf per section is standard. Mounted on anodized aluminum pilasters the shelf is adjustable in 1/2" increments. Cabinet walls and doors are insulated with 2" of environmentally friendly, CFC free, foamed in place polyurethane. 2.25" polyolefin, stem casters (two with brakes) are standard.

Door Construction

Glass doors are constructed of high grade silver anodized aluminum with a full length chrome handle. Door glass is energy efficient multi pane, argon filled with locks. The door hinges are all metal and include an adjustable torsion spring closure that will not wear out like traditional cam-lift hinges. Hinge plates are constructed of heavy duty stainless steel. Doors stay open at 90° and are self-closing at 75°. Snap-in magnetic door gaskets are durable and easily removed for cleaning. Door hinging is field reversible (with an optional door reversal hinge kit).

Refrigeration System

The high efficiency refrigeration system is self-contained with an E-coated evaporator for extended life. Condensate removal is accomplished with an energy efficient non-electric evaporation system. A capillary tube controls the flow of environmentally friendly R290 refrigerant through the evaporator. Refrigeration system utilizes an "off cycle" defrost to eliminate any ice on the evaporator coil. 115 volt units are equipped with a ten foot cord and plug (20.0 amps or less).