



HOSHIZAKI

Service Manual

Self-Contained Cuber

Models

AM-50BAE

AM-50BAE-DS

AM-50BAE-AD

AM-50BAE-ADDS



hoshizakiamerica.com

Number: 73126
Issued: 12-22-2004
Revised: 8-9-2016

⚠ WARNING

Only qualified service technicians should install and service the appliance. To obtain the name and phone number of your local Hoshizaki Certified Service Representative, visit www.hoshizaki.com. No service should be undertaken until the technician has thoroughly read this Service Manual. Failure to service and maintain the appliance in accordance with this manual will adversely affect safety, performance, component life, and warranty coverage and may result in costly water damage. Proper installation is the responsibility of the installer. Product failure or property damage due to improper installation is not covered under warranty.

Hoshizaki provides this manual primarily to assist qualified service technicians in the service of the appliance.

Should the reader have any questions or concerns which have not been satisfactorily addressed, please call, send an e-mail message, or write to the Hoshizaki Technical Support Department for assistance.

Phone: 1-800-233-1940; (770) 487-2331

Fax: 1-800-843-1056; (770) 487-3360

E-mail: techsupport@hoshizaki.com

HOSHIZAKI AMERICA, INC.

618 Highway 74 South

Peachtree City, GA 30269

Attn: Hoshizaki Technical Support Department

Web Site: www.hoshizaki.com

NOTE: To expedite assistance, all correspondence/communication **MUST** include the following information:

- Model Number _____
- Serial Number _____
- Complete and detailed explanation of the problem.

IMPORTANT

This manual should be read carefully before the appliance is serviced. Read the warnings and guidelines contained in this manual carefully as they provide essential information for the continued safe use, service, and maintenance of the appliance. Retain this manual for any further reference that may be necessary.

CONTENTS

Important Safety Information	4
I. Construction and Water/Refrigeration Circuit Diagram	7
A. Construction	7
B. Water/Refrigeration Circuit Diagram	8
II. Sequence of Operation and Service Diagnosis	9
A. Sequence of Operation Flow Chart	9
B. Service Diagnosis	10
1. Diagnostic Procedure: Auxiliary Code C-0 and Earlier	11
2. Diagnostic Procedure: Auxiliary Code C-1 and Later	14
C. Bin Control Check	17
D. Thermistor Check	18
E. Diagnostic Tables	19
III. Control Board	22
A. Control Board Layout	23
1. Auxiliary Code C-0 and Earlier	23
2. Auxiliary Code C-1 and Later	24
B. Settings and Adjustments	25
C. LED Lights Auxiliary Code C-1 and Later	26
D. Control Switch	26
IV. Refrigeration Circuit and Component Service Information	27
A. Refrigeration Circuit Service Information	27
B. Component Service Information	29
V. Maintenance	30
A. Maintenance Schedule	30
B. Optional Drain Pump HS-0248 or HS-5061	31
VI. Preparing the Icemaker for Periods of Non-Use	33
VII. Disposal	34
VIII. Technical Information	35
A. Specification and Performance Data	35
B. Wiring Diagrams	36
1. Auxiliary Code C-0 and Earlier	36
2. Auxiliary Code C-1 to F-0	37
3. Auxiliary Code F-1 and Later	38
4. HS-0248 and HS-5061 Optional Drain Pump	39

Important Safety Information

Throughout this manual, notices appear to bring your attention to situations which could result in death, serious injury, damage to the appliance, or damage to property.

⚠ WARNING Indicates a hazardous situation which could result in death or serious injury.


NOTICE Indicates a situation which could result in damage to the appliance or property.

IMPORTANT Indicates important information about the use and care of the appliance.

⚠ WARNING

The appliance should be destined only to the use for which it has been expressly conceived. Any other use should be considered improper and therefore dangerous. The manufacturer cannot be held responsible for injury or damage resulting from improper, incorrect, and unreasonable use. Failure to service and maintain the appliance in accordance with this manual will adversely affect safety, performance, component life, and warranty coverage and may result in costly water damage.

To reduce the risk of death, electric shock, serious injury, or fire, follow basic precautions including the following:

- Only qualified service technicians should install and service the appliance.
- The appliance must be installed in accordance with applicable national, state, and local codes and regulations. Failure to meet these code requirements could result in death, electric shock, serious injury, fire, or damage.
- To reduce the risk of electric shock, do not touch the control switch or plug with damp hands.
- Make sure the control switch is in the "OFF" position before plugging in or unplugging the appliance.
- Before servicing, move the control switch to the "OFF" position. Unplug the appliance from the electrical outlet.
- The appliance requires an independent power supply of proper capacity. See the nameplate for electrical specifications. Failure to use an independent power supply of proper capacity can result in a tripped breaker, blown fuse, damage to existing wiring, or component failure. This could lead to heat generation or fire.
- **THE APPLIANCE MUST BE GROUNDED:** The appliance is equipped with a NEMA 5-15 three-prong grounding plug  to reduce the risk of potential shock hazards. It must be plugged into a properly grounded, independent 3-prong wall outlet. If the outlet is a 2-prong outlet, it is your personal responsibility to have a qualified electrician replace it with a properly grounded, independent 3-prong wall outlet. Do not remove the ground prong from the power cord and do not use an adapter plug. Failure to properly ground the appliance could result in death or serious injury.
- The GREEN ground wire in the factory-installed power cord is connected to the appliance. If it becomes necessary to remove or replace the power cord, be sure to connect the power cord's ground wire.

⚠ WARNING, continued

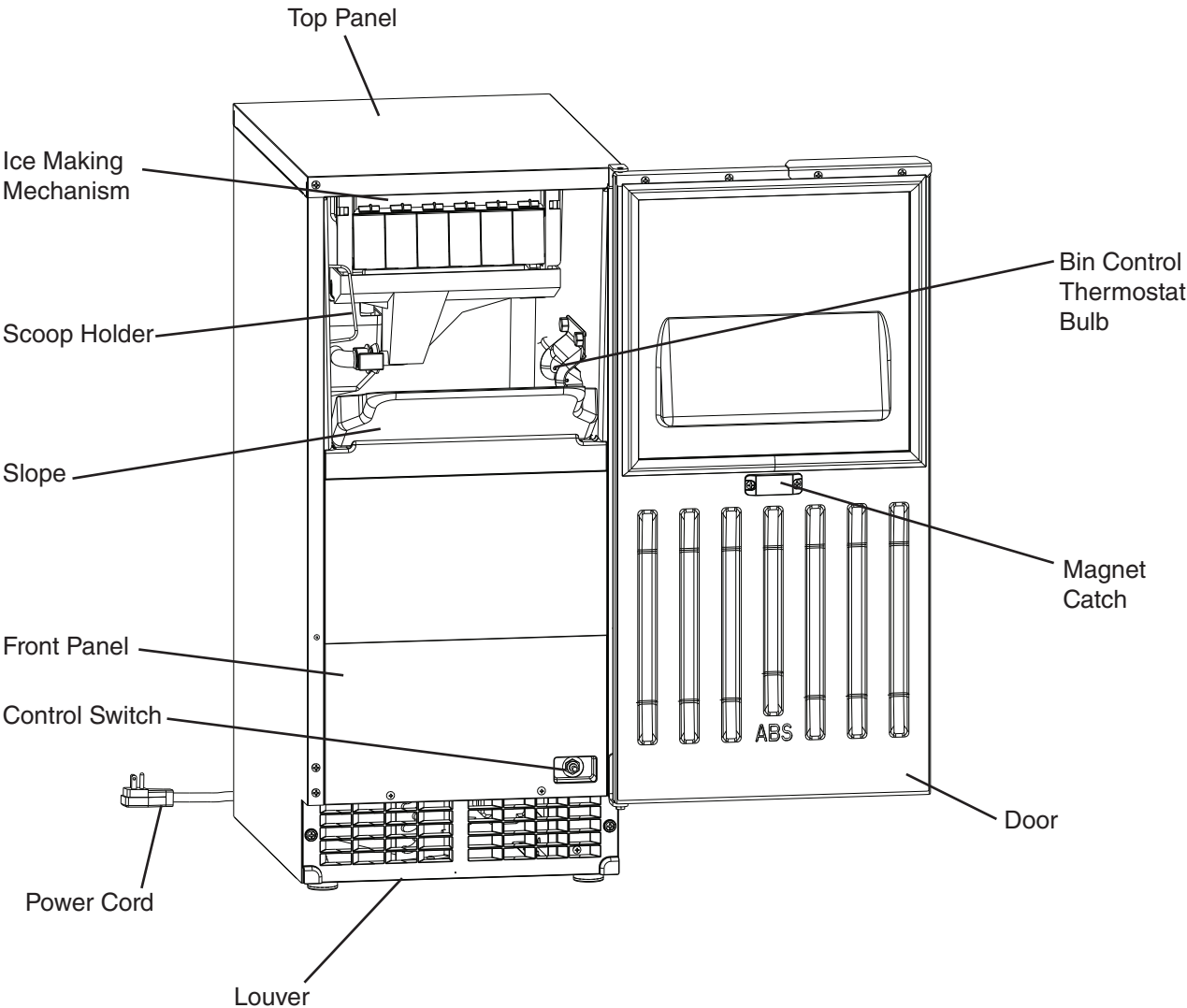
- Do not make any alterations to the appliance. Alterations could result in electric shock, serious injury, fire, or damage.
- Do not use an extension cord.
- Do not use an appliance with a damaged power cord. The power cord should not be altered, jerked, bundled, weighed down, pinched, or tangled. Such actions could result in electric shock or fire. To unplug the appliance, be sure to pull the plug, not the cord, and do not jerk the cord.
- This appliance is not intended for use by persons (including children) with reduced physical, sensory, or mental capabilities, or lack of experience and knowledge, unless they have been given supervision or instruction concerning use of the appliance by a person responsible for their safety.
- Children should be properly supervised around this appliance.
- Do not climb, stand, or hang on the appliance or appliance door or allow children or animals to do so. Do not climb into the appliance or allow children or animals to do so. Death or serious injury could occur or the appliance could be damaged.
- Be careful not to pinch fingers when opening and closing the door. Be careful when opening and closing the door when children are in the area.
- Open and close the door with care. Door opened too quickly or forcefully may cause injury or damage to the appliance or surrounding equipment.
- Do not use combustible spray or place volatile or flammable substances near the appliance. They might catch fire.
- Keep the area around the appliance clean. Dirt, dust, or insects in the appliance could cause harm to individuals or damage to the appliance.
- Do not place anything on top of the appliance. Foreign objects or moisture could enter the appliance and result in electric shock or fire.

NOTICE

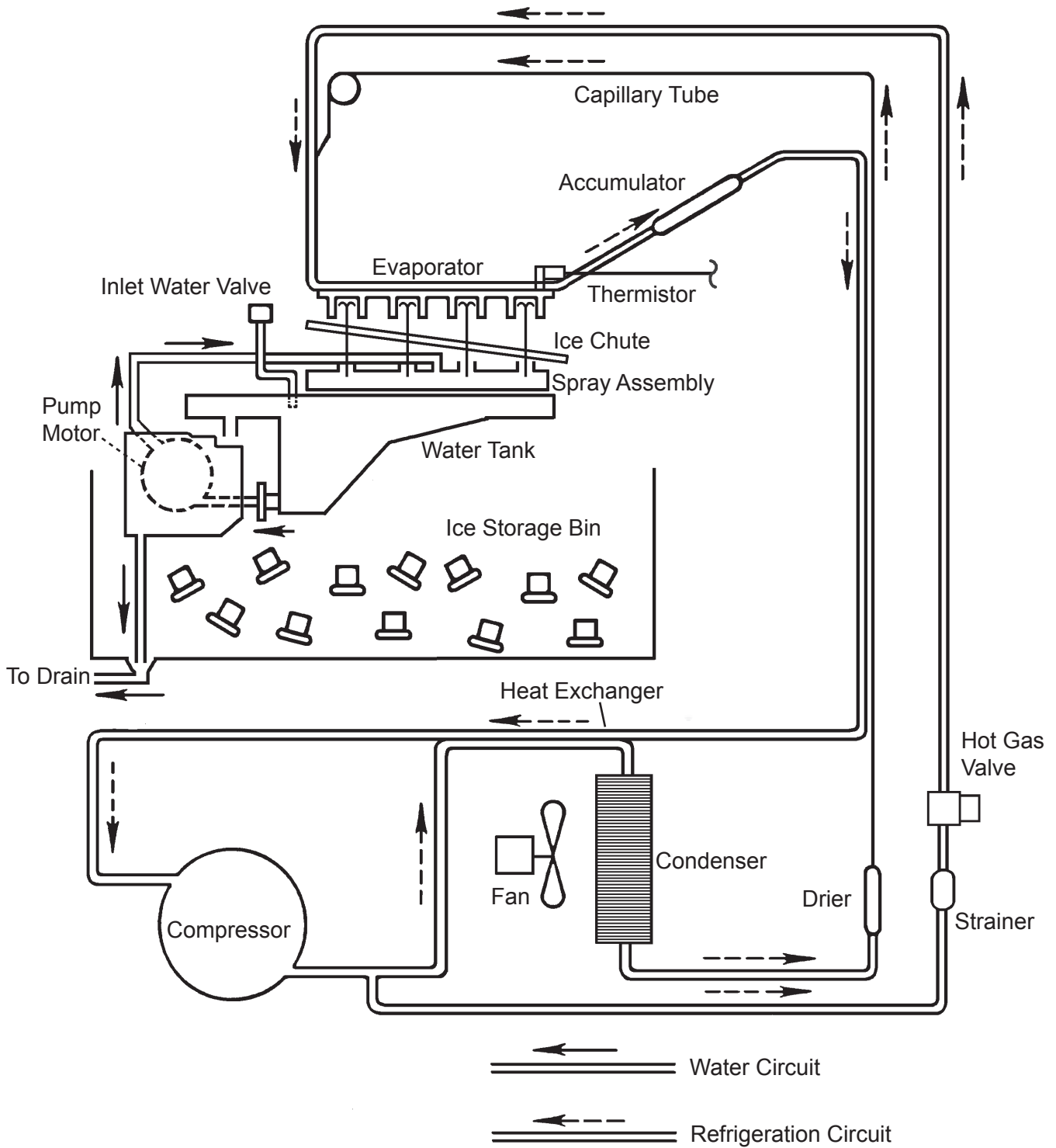
- Protect the floor when moving the appliance to prevent damage to the floor.
- When making water supply or drain line repairs, follow the requirements found in the instruction manual to reduce the risk of costly water damage.
- In areas where water damage is a concern, confirm appliance is installed in a contained area with a floor drain.
- Confirm the appliance is in a location that stays above freezing. Normal operating ambient temperature must be within 45°F to 100°F (7°C to 38°C).
- If using the optional drain pump (HS-0248 or HS-5061), test its operation every time the appliance is cleaned and sanitized. See "V.B. Optional Drain Pump HS-0248 or HS-5061" for details. If the optional drain pump is not operating properly or not primed properly (HS-0248), water could back up and overflow, leading to costly water damage.
- If water collects in the bin and will not drain, turn off the appliance and close the water supply line shut-off valve.
- If water seeps from the base of the appliance, turn off the appliance and close the water supply line shut-off valve. Failure to do so could lead to costly water damage.
- Do not leave the appliance on during extended periods of non-use, extended absences, or in sub-freezing temperatures. To properly prepare the appliance for these occasions, follow the instructions in "VI. Preparing the Appliance for Periods of Non-Use."
- Keep ventilation openings, in the appliance enclosure or in the built-in structure, clear of obstruction.
- Do not place objects on top of the appliance.
- The ice storage bin is for ice use only. Do not store anything else in the ice storage bin.

I. Construction and Water/Refrigeration Circuit Diagram

A. Construction



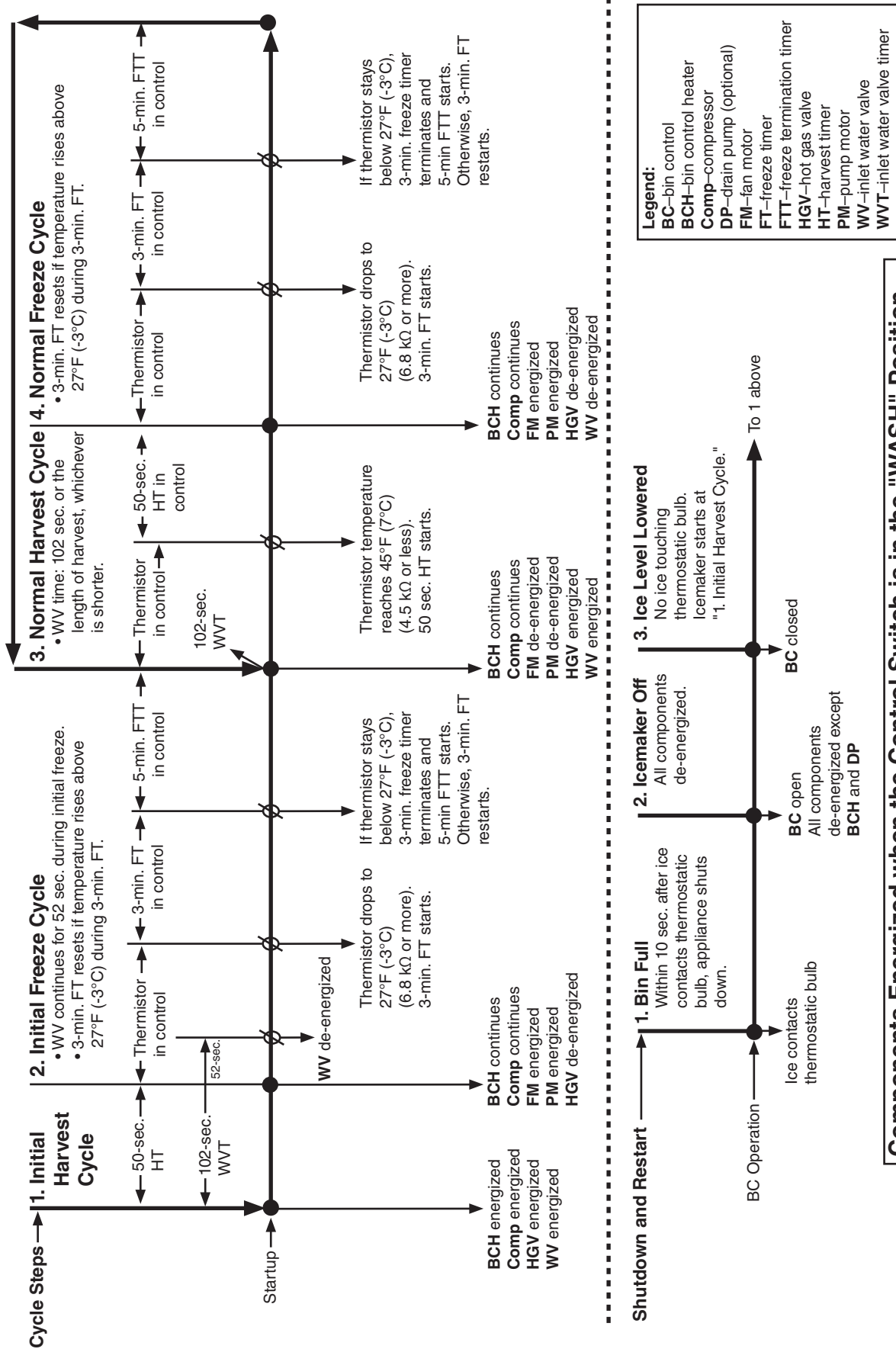
B. Water/Refrigeration Circuit Diagram



II. Sequence of Operation and Service Diagnosis

A. Sequence of Operation Flow Chart

AM-50BAE Series Sequence Flow Chart



Components Energized when the Control Switch is in the "WASH" Position
 The "WASH" position on the control switch is used when cleaning and sanitizing the icemaker. When in the "WASH" position, power is supplied to the pump motor and fan motor. The cleaner and sanitizer flow over the evaporator plate assembly.

B. Service Diagnosis

WARNING

- The appliance should be diagnosed and repaired only by qualified service personnel to reduce the risk of death, electric shock, serious injury, or fire.
- Risk of electric shock. Use extreme caution and exercise safe electrical practices.
- Risk of electric shock. Control switch in "OFF" position does not de-energize all loads (optional drain pump).
- Moving parts (e.g., fan blade) can crush and cut. Keep hands clear.
- **CHOKING HAZARD:** Ensure all components, fasteners, and thumbscrews are securely in place after the appliance is serviced. Make sure that none have fallen into the ice storage bin.
- Make sure all food zones in the appliance are clean after service.

The diagnostic procedure is a sequence check that allows you to diagnose the electrical system and components. Before proceeding, check for correct installation, proper voltage per nameplate, and adequate water supply.

Note: • When checking high-voltage (115VAC), always choose a white (W) neutral wire to establish a good neutral connection.

- When checking low-voltage (24VAC) (auxiliary code C-1 and later), always choose a light blue (LBU) neutral wire to establish a good neutral connection.
- When checking component voltage from CB, pull CB connectors out slightly to allow room for multimeter test leads contact.
- BCH energizes at startup and continues until the control switch is turned off or power is disconnected.
- Optional drain pump (HS-0248 or HS-5061) has 115VAC power supply as soon as the appliance is plugged into the electrical outlet.

- 1) Access the control box and move the control switch to the "OFF" position.
- 2) Clear any ice from BC.

1. Diagnostic Procedure: Auxiliary Code C-0 and Earlier

- 3) **Power On/Initial Harvest Cycle.** Move the control switch to the "ICE" position. Comp, HGV, and WV energize. Initial harvest cycle starts. 50-sec. HT and 102-sec. WVT start.
- a) **Power On Diagnosis:** If Comp, HGV, and WV do not energize, confirm appliance is plugged into electrical outlet. If optional drain pump HS-0248 or HS-5061 is installed, confirm the water level in the drain pump reservoir is not high enough to close the drain pump safety switch. When the water level lowers enough to open the drain pump upper float switch, power is restored to the icemaker. The pump motor remains energized as long as the drain pump lower float switch is closed. If optional drain pump is not installed, check that jumper connection is good. Next, check for 115VAC at control switch #2 (BR) to neutral (W) then at control switch #1 (O) to neutral (W). If 115VAC is present at #2 (BR) to neutral (W) and not at #1 (O) to neutral (W), replace control switch. Check BC continuity. If open, warm BC thermostat bulb with hand. See "II.D. Bin Control Check." If BC does not close, replace BC. If BC is closed and HGV or WV is not energized, check for 115VAC at CB U (BK) to CB V (W). If 115VAC is not present, check wiring. If 115VAC is present, see "d) HGV Diagnosis" or "e) WV Diagnosis" below.
 - b) **BCH Diagnosis:** If BCH does not energize, check BCH continuity. If open, replace BCH.
 - c) **Comp Diagnosis:** If Comp does not energize, check PTC relay continuity. If open, replace PTC. If closed, check Comp external protector and motor winding continuity. Replace as needed.
 - d) **HGV Diagnosis:** If Comp is energized and evaporator is not warming, check that HGV energizes and opens. If not, check for 115VAC at CB C1 (BK) to neutral (W) and at CB B1 (P) to neutral (W). If 115VAC is present at CB C1 (BK) to neutral (W) and not at CB B1 (P) to neutral (W), replace CB. If 115VAC is not present at CB C1 (BK), check wiring connections from BC. If 115VAC is present, check HGV coil continuity. Replace as needed.
 - e) **WV Diagnosis:** Check that water enters the water tank. If not, check that the water supply line shut-off valve is open and screens or external filters are clear. Check for 115VAC at CB C2 (BK) to neutral (W) and CB A2 (V) to neutral (W). If 115VAC is not present at CB C2 (BK), check wiring from BC. If 115VAC is present at CB C2 (BK) to neutral (W) and not at CB A2 (V) to neutral (W), replace CB. If 115VAC is present and WV does not energize, check WV coil continuity. If open, replace WV.
 - f) **Initial Harvest Cycle Termination Diagnosis:** 50-sec. HT terminates and freeze cycle starts. If not, replace CB.

- 4) **Initial Freeze Cycle.** Comp and 102-sec. WV (WV continues another 52 sec. in freeze cycle) continue. FM and PM energize. HGV de-energizes. When 102-sec. WV terminates, WV de-energizes. CB monitors the cooling of the evaporator via the thermistor located on the evaporator for freeze termination. When the thermistor drops to 27°F (-3°C), CB reads 6.8 kΩ from the thermistor and starts 3-min. FT. 27°F (-3°C) or lower must be maintained the entire 3 min. If reading rises above 27°F (-3°C) before 3-min. FT terminates, 3-min. FT resets. When 27°F (-3°C) or lower is maintained for 3 min., 5-min. FTT starts.
- a) **Comp Diagnosis:** If Comp de-energizes, check PTC relay continuity. If open, replace PTC. If closed, check Comp external protector and motor winding continuity. Replace as needed. If Comp is energized but evaporator is not cooling, check for an inefficient Comp. See "VIII.B. Performance Data."
 - b) **FM and PM Diagnosis:** If FM and PM do not energize, check for 115VAC at CB C1 (BR) to neutral (W) and at CB A1 (LBU) to neutral (W). If 115VAC is present at CB C1 (BR) to neutral (W) and not at CB A1 (LBU) to neutral (W), replace CB. If 115VAC is present at CB A1 (LBU) to neutral (W), check FM or PM motor winding continuity, fan blade or PM impeller for binding, and PM capacitor.
 - c) **HGV and WV Diagnosis:** Confirm HGV and WV de-energize. If HGV is energized, check for 115VAC at CB B1 (P) to neutral (W). If 115VAC is present after PM energizes, replace CB. If 115VAC is not present and HGV is bypassing, replace HGV. If WV does not de-energize 52 sec. after freeze cycle starts, check for 115VAC at CB A2 (V) to neutral (W). If 115VAC is present 52 sec. or later after PM energizes, replace CB. If 115VAC is not present and WV is leaking by, replace WV.
 - d) **Initial Freeze Cycle Termination Diagnosis:** 5-min. FTT terminates, harvest cycle starts. If not, check evaporator temperature where thermistor is mounted and check the thermistor. See "II.E. Thermistor Check." If evaporator temperature is below 27°F (-3°C) for more than 8 min. and freeze does not terminate, replace CB.
- 5) **Normal Harvest Cycle.** Comp continues. HGV and WV energize. FM and PM de-energize. 102-sec. WV timer starts. CB monitors the warming of the evaporator via the thermistor located on the evaporator. When the thermistor reaches 47°F (7°C), CB reads 4.5 kΩ from the thermistor and turns harvest termination over to the 50-sec. HT. WV is energized during harvest for a maximum of 102 sec. or the length of harvest, whichever is shorter.
- Note: Appliance continues to cycle until BC is satisfied or power is turned off.
The appliance always restarts at the initial harvest cycle.
- a) **Comp Diagnosis:** Check that evaporator is warming. If not, confirm Comp is energized. If not, check for 115VAC at PTC and check PTC relay continuity. If open, replace PTC. If closed, check Comp external protector and motor winding continuity. Replace as needed.
 - b) **HGV Diagnosis:** If Comp is energized and evaporator is not warming, check that HGV energizes and opens. If not, check for 115VAC at CB C1 (BK) to neutral (W) and at CB B1 (P) to neutral (W). If 115VAC is present at CB C1 (BK) to neutral (W) and not at CB B1 (P) to neutral (W), replace CB. If 115VAC is not present at CB C1 (BK) to neutral (W), check wiring connections from BC. If 115VAC is present, check HGV coil continuity. Replace as needed.

- c) **WV Diagnosis:** Check that water enters the water tank. If not, check that the water supply line shut-off valve is open and screens or external filters are clear. Check for 115VAC at CB C2 (BK) to neutral (W) and CB A2 (V) to neutral (W). If 115VAC is not present at CB C2 (BK) to neutral (W), check wiring from BC. If 115VAC is present at CB C2 (BK) to neutral (W) and not at CB A2 (V) to neutral (W), replace CB. If 115VAC is present and WV does not energize, check WV coil continuity. If open, replace WV.
- d) **FM and PM Diagnosis:** Confirm FM and PM de-energize. If not, check for 115VAC at CB A1 (LBU) to neutral (W) and CB B1 (P) to neutral (W). If 115VAC is present at CB A1 (LBU) and not at CB B1 (P), CB defective. Replace as needed.
- e) **Normal Harvest Cycle Termination Diagnosis:** For a thermistor check, see "II.D. Thermistor Check." If evaporator is warming, thermistor reading is correct, and harvest does not terminate, replace CB.
- 6) **Normal Freeze Cycle.** Comp continues. FM and PM energize. HGV and WV de-energize. CB monitors the cooling of the evaporator via the thermistor located on the evaporator for freeze termination. When the thermistor drops to 27°F (-3°C), CB reads 6.8 kΩ from the thermistor and starts 3-min. FT. 27°F (-3°C) or lower must be maintained the entire 3 min. If reading rises above 27°F (-3°C) before 3-min. FT terminates, 3-min. FT resets. When 27°F (-3°C) or lower is maintained for 3 min., 5-min. FTT starts.
- a) **Comp Diagnosis:** If Comp de-energizes, check PTC relay continuity. If open, replace PTC. If closed, check Comp external protector and motor winding continuity. Replace as needed. If Comp is energized but evaporator is not cooling, check for an inefficient Comp. See "VIII.B. Performance Data."
- b) **FM and PM Diagnosis:** If FM and PM do not energize, check for 115VAC at CB B1 (P) to neutral (W) and CB A1 (LBU) to neutral (W). If 115VAC is present at CB B1 (P) to neutral (W) and not at CB A1 (LBU) to neutral (W), replace CB. If 115VAC is present at CB A1 (LBU) to neutral (W), check FM or PM motor winding continuity, fan blade or PM impeller for binding, and PM capacitor.
- c) **HGV and WV Diagnosis:** Confirm HGV and WV de-energize. If HGV is energized, check for 115VAC at CB B1 (P) to neutral (W). If 115VAC is present after PM energizes, replace CB. If 115VAC is not present and HGV is bypassing, replace HGV. If WV is energized, check for 115VAC at CB A2 (V) to neutral (W). If 115VAC is present, replace CB. If 115VAC is not present and WV is leaking by, replace WV.
- d) **Normal Freeze Cycle Termination Diagnosis:** 5-min. FTT terminates, harvest cycle starts. If not, check evaporator temperature where thermistor is mounted and check the thermistor. See "II.E. Thermistor Check." If evaporator temperature is below 27°F (-3°C) for more than 8 min. and freeze does not terminate, replace CB.
- 7) **Shutdown.** When the appliance is running, hold ice in contact with the thermostatic bulb. BC switch opens within 10 sec., shutting down the appliance. BC is factory set and generally no adjustment is required. However, adjustment may be needed in some conditions, particularly at higher altitude locations.

Legend: **BC**—bin control; **CB**—control board; **Comp**—compressor; **FM**—fan motor; **FT**—freeze timer; **FTT**—freeze termination timer; **HGV**—hot gas valve; **HT**—harvest timer; **PM**—pump motor; **WV**—inlet water valve; **WVT**—inlet water valve timer

2. Diagnostic Procedure: Auxiliary Code C-1 and Later

- 3) **Power On/Initial Harvest Cycle – LED 1 is flashing and LED 3 is on.** Move the control switch to the "ICE" position. LEDs 1 (green), 3 (green), and 4 (orange) turn on briefly then turn off. Then LED 1 starts flashing, LED 3 turns on and Comp, HGV, and WV energize. Initial harvest cycle starts. 50-sec. HT and 102-sec. WVT start.

Note: 24VAC to CB is confirmed with a flashing LED 1.

- a) **Power On Diagnosis:** Confirm green LED 1 is flashing. If not, confirm appliance is plugged into electrical outlet. If optional drain pump HS-0248 or HS-5061 is installed, confirm the water level in the drain pump reservoir is not high enough to close the drain pump safety switch. When the water level lowers enough to open the drain pump upper float switch, power is restored to the icemaker. The pump motor remains energized as long as the drain pump lower float switch is closed. If optional drain pump is not installed, check that jumper connection is good. Next, check for 115VAC at control switch #2 (BR) to neutral (W) then at control switch #1 (BR) to neutral (W). If 115VAC is present at #2 (BR) to neutral (W) and not at #1 (BR) to neutral (W), replace control switch. Check BC continuity. If open, warm BC thermostat bulb with hand. See "II.D. Bin Control Check." If BC does not close, replace BC. If BC is closed and LED 1 is not flashing, check for 115VAC primary voltage and 24VAC secondary voltage at CT. If 115VAC is present and 24VAC is not, replace CT. If 24VAC is present, check for 24VAC at CB B (R) to CB W (LBU). If 24VAC is not present, check low-voltage wiring. If 24VAC is present and LED 1 is not on and flashing, replace CB.
- b) **BCH Diagnosis:** If BCH does not energize, check BCH continuity. If open, replace BCH.
- c) **Comp Diagnosis:** If Comp does not energize, check PTC relay continuity. If open, replace PTC. If closed, check Comp external protector and motor winding continuity. Replace as needed.
- d) **HGV Diagnosis:** If Comp is energized and evaporator is not warming, check that HGV energizes and opens. If not, check for 115VAC at CB C1 (BR) to neutral (W) and at CB B1 (P) to neutral (W). If 115VAC is present at CB C1 (BR) to neutral (W) and not at CB B1 (P) to neutral (W), replace CB. If 115VAC is not present at CB C1 (BR) to neutral (W), check wiring connections from BC. If 115VAC is present, check HGV coil continuity. Replace as needed.
- e) **WV Diagnosis:** Confirm LED 3 is on. If not, replace CB. If LED 3 is on, check that water enters the water tank. If not, check that the water supply line shut-off valve is open and screens or external filters are clear. Check for 115VAC at CB C2 (BR) to neutral (W) and CB A2 (O) to neutral (W). If 115VAC is not present at CB C2 (BR) to neutral (W), check wiring from BC. If 115VAC is present at CB C2 (BR) to neutral (W) and not at CB A2 (O) to neutral (W), replace CB. If 115VAC is present and WV does not energize, check WV coil continuity. If open, replace WV.
- f) **Initial Harvest Cycle Termination Diagnosis:** 50-sec. HT terminates and freeze cycle starts. If not, replace CB.

- 4) **Initial Freeze Cycle – LED 1 is flashing and LEDs 3 and 2 are on.** Comp and 102-sec. WVT (WV continues another 52 sec. in freeze cycle) continue. FM and PM energize. HGV de-energizes. When 102-sec. WVT terminates, LED 3 turns off and WV de-energizes. CB monitors the cooling of the evaporator via the thermistor located on the evaporator for freeze termination. When the thermistor drops to 27°F (-3°C), CB reads 6.8 kΩ from the thermistor and starts 3-min. FT. 27°F (-3°C) or lower must be maintained the entire 3 min. If reading rises above 27°F (-3°C) before 3-min. FT terminates, the 3-min. FT resets. When 27°F (-3°C) or lower is maintained for 3 min., 5-min. FTT starts.
- a) **Comp Diagnosis:** If Comp de-energizes, check PTC relay continuity. If open, replace PTC. If closed, check Comp external protector and motor winding continuity. Replace as needed. If Comp is energized but evaporator is not cooling, check for an inefficient Comp. See "VIII.B. Performance Data."
 - b) **FM and PM Diagnosis:** If FM and PM do not energize, check for 115VAC at CB C1 (BR) to neutral (W) and at CB A1 (DBU) to neutral (W). If 115VAC is present at CB C1 (BR) to neutral (W) and not at CB A1 (DBU) to neutral (W), replace CB. If 115VAC is present at CB A1 (DBU) to neutral (W), check FM or PM motor winding continuity, fan blade or PM impeller for binding, and PM capacitor (F-0 and earlier).
 - c) **HGV and WV Diagnosis:** Confirm HGV and WV de-energize. If HGV is energized, check for 115VAC at CB B1 (P) to neutral (W). If 115VAC is present after PM energizes, replace CB. If 115VAC is not present and HGV is bypassing, replace HGV. If LED 3 does not turn off and WV does not de-energize 52 sec. after freeze cycle starts, check for 115VAC at CB A2 (O) to neutral (W). If 115VAC is present 52 sec. or later after PM energizes, replace CB. If 115VAC is not present and WV is leaking by, replace WV.
 - d) **Initial Freeze Cycle Termination Diagnosis:** 5-min. FTT terminates, harvest cycle starts. If not, check evaporator temperature where thermistor is mounted and check the thermistor. See "II.E. Thermistor Check." If evaporator temperature is below 27°F (-3°C) for more than 8 min. and freeze does not terminate, replace CB.
- 5) **Normal Harvest Cycle – LED 1 is flashing and LED 3 is on.** Comp continues. HGV and WV energize. FM and PM de-energize. 102-sec. WV timer starts. CB monitors the warming of the evaporator via the thermistor located on the evaporator. When the thermistor reaches 47°F (7°C), CB reads 4.5 kΩ from the thermistor and turns harvest termination over to the 50-sec. HT. WV is energized during harvest for a maximum of 102 sec. or the length of harvest, whichever is shorter.
- Note: Appliance continues to cycle until BC is satisfied or power is turned off.
The appliance always restarts at the initial harvest cycle.
- a) **Comp Diagnosis:** Check that evaporator is warming. If not, confirm Comp is energized. If not, check for 115VAC at PTC and check PTC relay continuity. If open, replace PTC. If closed, check Comp external protector and motor winding continuity. Replace as needed.

- b) **HGV Diagnosis:** If Comp is energized and evaporator is not warming, check that HGV energizes and opens. If not, check for 115VAC at CB C1 (BR) to neutral (W) and CB B1 (P) to neutral (W). If 115VAC is present at CB C1 (BR) to neutral (W) and not at CB B1 (P) to neutral (W), replace CB. If 115VAC is not present at CB C1 (BR) to neutral (W), check wiring connections from BC. If 115VAC is present, check HGV coil continuity. Replace as needed.
 - c) **WV Diagnosis:** Confirm LED 3 is on. If not, replace CB. If LED 3 is on, check that water enters the water tank. If not, check that the water supply line shut-off valve is open and screens or external filters are clear. Check for 115VAC at CB C2 (BR) to neutral (W) and CB A2 (O) to neutral (W). If 115VAC is not present at CB C2 (BR) to neutral (W), check wiring from BC. If 115VAC is present at CB C2 (BR) to neutral (W) and not at CB A2 (O) to neutral (W), replace CB. If 115VAC is present and WV does not energize, check WV coil continuity. If open, replace WV.
 - d) **FM and PM Diagnosis:** If FM and PM continue after LED 2 turns off, replace CB.
 - e) **Normal Harvest Cycle Termination Diagnosis:** For a thermistor check, see "II.D. Thermistor Check." If evaporator is warming, thermistor reading is correct, and harvest does not terminate, replace CB.
- 6) **Normal Freeze Cycle – LED 1 is flashing and LED 2 is on.** Comp continues. FM and PM energize. HGV and WV de-energize. CB monitors the cooling of the evaporator via the thermistor located on the evaporator for freeze termination. When the thermistor drops to 27°F (-3°C), CB reads 6.8 kΩ from the thermistor and starts 3-min. FT. 27°F (-3°C) or lower must be maintained the entire 3 min. If reading rises above 27°F (-3°C) before 3-min. FT terminates, 3-min. FT resets. When 27°F (-3°C) or lower is maintained for 3 min., 5-min. FTT starts.
- a) **Comp Diagnosis:** If Comp de-energizes, check PTC relay continuity. If open, replace PTC. If closed, check Comp external protector and motor winding continuity. Replace as needed. If Comp is energized but evaporator is not cooling, check for an inefficient Comp. See "VIII.A. Specification and Performance Data."
 - b) **FM and PM Diagnosis:** If FM and PM do not energize, check for 115VAC at CB C1 (BR) to neutral (W) and CB A1 (DBU) to neutral (W). If 115VAC is present at CB C1 (BR) to neutral (W) and not at CB A1 (DBU) to neutral (W), replace CB. FM-If 115VAC is present at CB A1 (DBU) to neutral (W), check FM or PM motor winding continuity, fan blade or PM impellar for binding and PM capacitor (F-0 and earlier).
 - c) **HGV and WV Diagnosis:** Confirm HGV and WV de-energize. If HGV is energized, check for 115VAC at CB B1 (P) to neutral (W). If 115VAC is present after PM energizes, replace CB. If 115VAC is not present and HGV is bypassing, replace HGV. If LED 3 is on after LED 2 turns on, replace CB. When LED 3 turns off, make sure WV is not leaking by. If WV is leaking by, replace WV.
 - d) **Normal Freeze Cycle Termination Diagnosis:** 5-min. FTT terminates, harvest cycle starts. If not, check evaporator temperature where thermistor is mounted and check the thermistor. See "II.E. Thermistor Check." If evaporator temperature is below 27°F (-3°C) for more than 8 min. and freeze does not terminate, replace CB.

- 7) **Shutdown.** When the appliance is running, hold ice in contact with the thermostatic bulb. BC switch opens within 10 sec., shutting down the appliance. BC is factory set, and generally no adjustment is required. However, adjustment may be needed in some conditions, particularly at higher altitude locations.

Legend: **BC**–bin control; **CB**–control board; **Comp**–compressor; **FM**–fan motor; **FT**–freeze timer; **FTT**–freeze termination timer; **HGV**–hot gas valve; **HT**–harvest timer; **PM**–pump motor; **WV**–inlet water valve; **WVT**–inlet water valve timer

C. Bin Control Check

BC shuts down the icemaker within 10 sec. when ice contacts the thermostatic bulb, regardless of the cycle at activation.

NOTICE

When the ambient temperature is below 45°F (7°C), BC opens and shuts down the appliance even if the ice storage bin is empty. When BC is set in the prohibited range, the appliance operates continuously even if the ice storage bin is filled with ice. Setting in the prohibited range may result in severe damage to the appliance.

BC is factory set, and generally no adjustment is required. However, adjustment may be needed in some conditions, particularly at higher altitude locations.

To check BC, follow the steps below.

- 1) Move the control switch to the "OFF" position.
- 2) Unplug the appliance.
- 3) Remove the control box cover. Loosen the control box from the base and slide it out for easy access. Next, clear any ice away from BC bulb.
- 4) Disconnect BC wires from BC switch.
- 5) Hold your hand around the bulb to warm it up.
- 6) Check for continuity across BC switch. If closed, continue to step 7. If open, adjust or replace BC.
- 7) With the multimeter test leads still in place, hold ice in contact with BC bulb. Within 10 sec., BC switch should open. If it remains closed, adjust or replace BC.

Legend: **BC**–bin control

D. Thermistor Check

To check thermistor resistance, follow the steps below.

- 1) Move the control switch to the "OFF" position.
- 2) Unplug the appliance.
- 3) Remove the control box cover.
- 4) Remove the thermistor from the evaporator.
- 5) Immerse the thermistor sensor portion in a glass containing ice and water for 2 or 3 min.
- 6) Disconnect the thermistor connector from CB and check the resistance between thermistor leads. Normal range is 5.5 to 6.5 k Ω . If outside the normal range, replace the thermistor. See "IV.B. Important Notes for Component Replacement." If within the normal range, continue to the next step.
- 7) Replace the thermistor in its correct position. See "IV.B. Important Notes for Component Replacement."
- 8) Reconnect the thermistor connector to CB.
- 9) Replace the control box cover in its correct position.
- 10) Plug the appliance back into the electrical outlet.
- 11) Move the control switch to the "ICE" position.

Legend: **CB**—control board; **Comp**—compressor

E. Diagnostic Tables

1. No Ice Production

No Ice Production - Possible Cause	
1. Power Supply	a) Unplugged, off, blown fuse, or tripped breaker.
	b) Not within specifications.
2. Water Supply	a) Water supply off or improper water pressure.
	b) External water filters clogged.
3. Optional Drain Pump (HS-0248 or HS-5061)	a) Safety switch open.
	b) Connector loose or disconnected.
	c) Clogged or kinked hose.
	d) Defective.
4. Control Switch	a) In "OFF" or "WASH" position.
	b) Bad contacts.
5. Thermostatic Bin Control See "II.C. Bin Control Check"	a) Out of adjustment.
	b) Open with bin filled with ice.
	c) Ambient temperature too cool.
	d) Bulb out of position.
	e) Bin control heater defective.
	f) Defective.
6. Control Transformer (115VAC/24VAC) (Auxiliary Code C-1 and Later)	a) Defective.
7. Control Board	a) Defective.
8. Compressor	a) External protector defective.
	b) PTC defective.
	c) Inefficient.
	d) Open windings.
9. Inlet Water Valve	a) Screen or orifice clogged.
	b) Coil winding open.
	c) Inlet water valve remains open longer than 52 sec. in initial freeze cycle or remains open in normal freeze cycle.
10. Hot Gas Valve	a) Closed in harvest cycle.
	b) Open in freeze cycle.
11. Inlet Water Valve	a) Screen or orifice clogged.
	b) Coil winding open.
	c) Water valve open in freeze cycle.
12. Hot Gas Valve	a) Closed in harvest cycle.
	b) Open in freeze cycle.
13. Thermistor See "II.E. Thermistor Check"	a) Loose, disconnected, or defective.
14. Pump Motor	a) Motor winding open.
	b) Bearing worn out or locked rotor.
	c) Defective capacitor (F-0 and earlier).
15. Fan Motor	a) Motor winding open.
	b) Bearing worn out or locked rotor.

2. Freeze-Up

Defrost and clean the icemaker prior to diagnosing freeze-up. Fill out a freeze-up checklist. See the Hoshizaki America Technician's Pocket Guide or contact your local distributor for a copy of the freeze-up checklist.

Freeze-Up - Possible Cause	
Harvest Cycle	
1. Evaporator	a) Scaled up. b) Damaged.
2. Ice Chute	a) Out of position. b) Damaged.
3. Control Board See "III.B. Settings and Adjustments."	a) Harvest control set too short. Do not adjust. b) Freeze control set too long. c) Defective.
4. Bin Control See "II.C. Bin Control Check"	a) Bin control heater defective. b) Defective.
5. Thermistor See "II.D. Thermistor Check"	a) Loose, disconnected, or defective.
6. Refrigerant Charge	a) Low.
7. Hot Gas Valve	a) Closed or restricted.
Freeze Cycle	
1. Evaporator	a) Scaled up. b) Damaged.
2. Spray Assembly	a) Nozzles dirty. b) Ice chute out of position.
3. Control Board See "III.B. Settings and Adjustments."	a) Freeze control set incorrectly. b) Defective.
4. Thermistor See "II.E. Thermistor Check"	a) Defective.
5. Refrigerant Charge	a) Low.
6. Inlet Water Valve	a) Leaking by.
7. Pump Motor	a) RPM too slow. b) Impeller damaged. c) Defective.

3. Low Ice Production

Low Ice Production - Possible Cause	
Long Harvest Cycle	
1. Evaporator	a) Scaled up, dirty.
2. Ice Chute	a) Out of position.
	b) Damaged.
3. Refrigerant Charge	a) Low.
4. Control Board See "III.B. Settings and Adjustments."	a) Thermistor connection loose.
	b) Harvest control moved from factory setting.
	c) Defective.
5. Thermistor See "II.E. Thermistor Check"	a) Loose, disconnected, or defective.
6. Hot Gas Valve	a) Erratic or closed.
7. Inlet Water Valve	a) Screen or orifice clogged.
8. Compressor	a) Inefficient or off.
Long Freeze Cycle	
1. Evaporator	a) Scaled up, dirty.
2. Inlet Water Valve	a) Leaking by.
3. Hot Gas Valve	a) Erratic or open.
4. Condenser	a) Clogged.
5. Thermistor See "II.E. Thermistor Check"	a) Loose, disconnected, or defective.
6. Control Board See "III.B. Settings and Adjustments."	a) Freeze control set too long.
	b) Defective.
7. Refrigerant Charge	a) Low.
8. Compressor	a) Inefficient or off.
9. Pump Motor	a) RPM too slow.
	b) Defective.

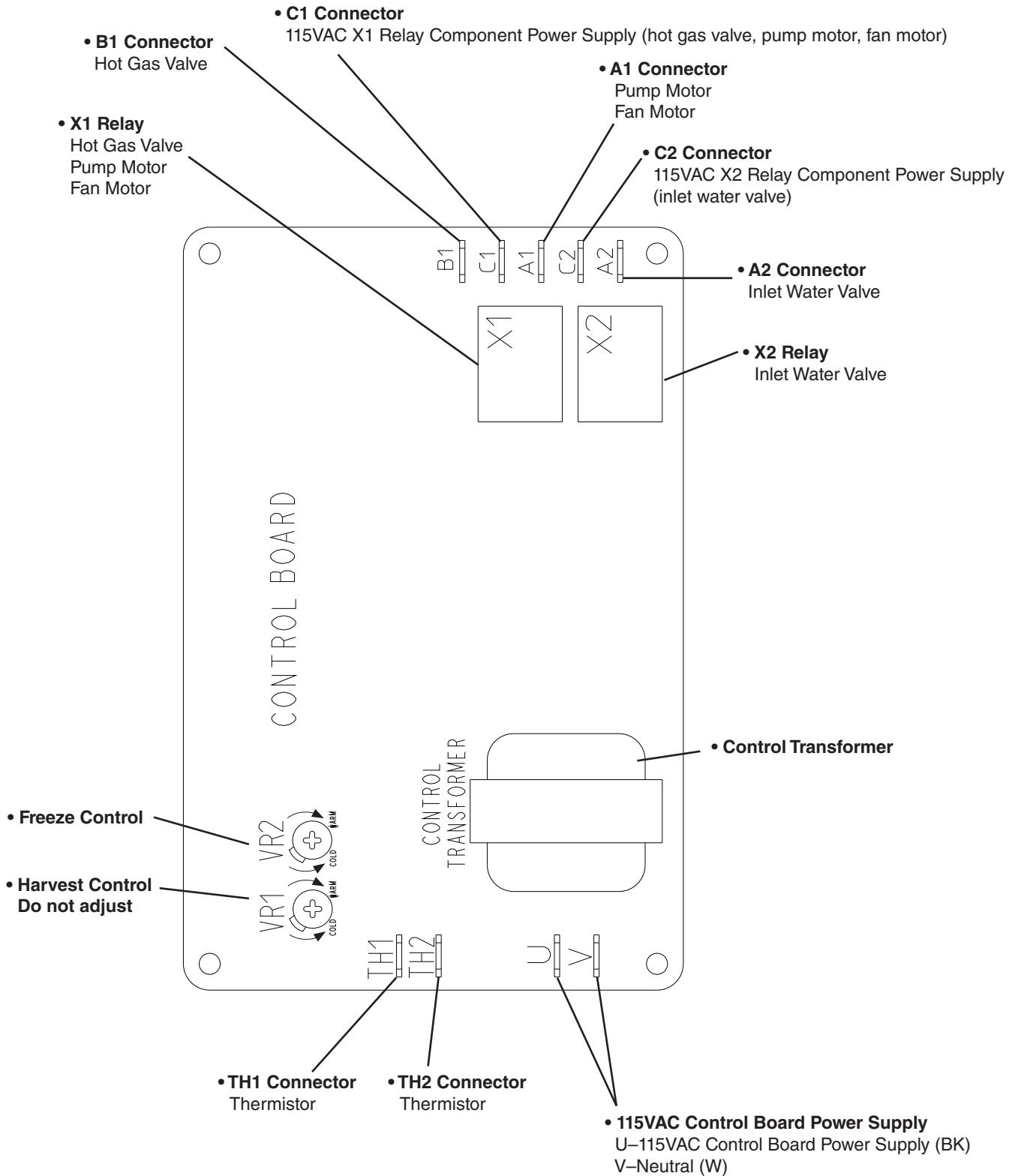
III. Control Board

- A Hoshizaki exclusive control board is employed in AM series appliances.
- All models are pretested and factory adjusted.

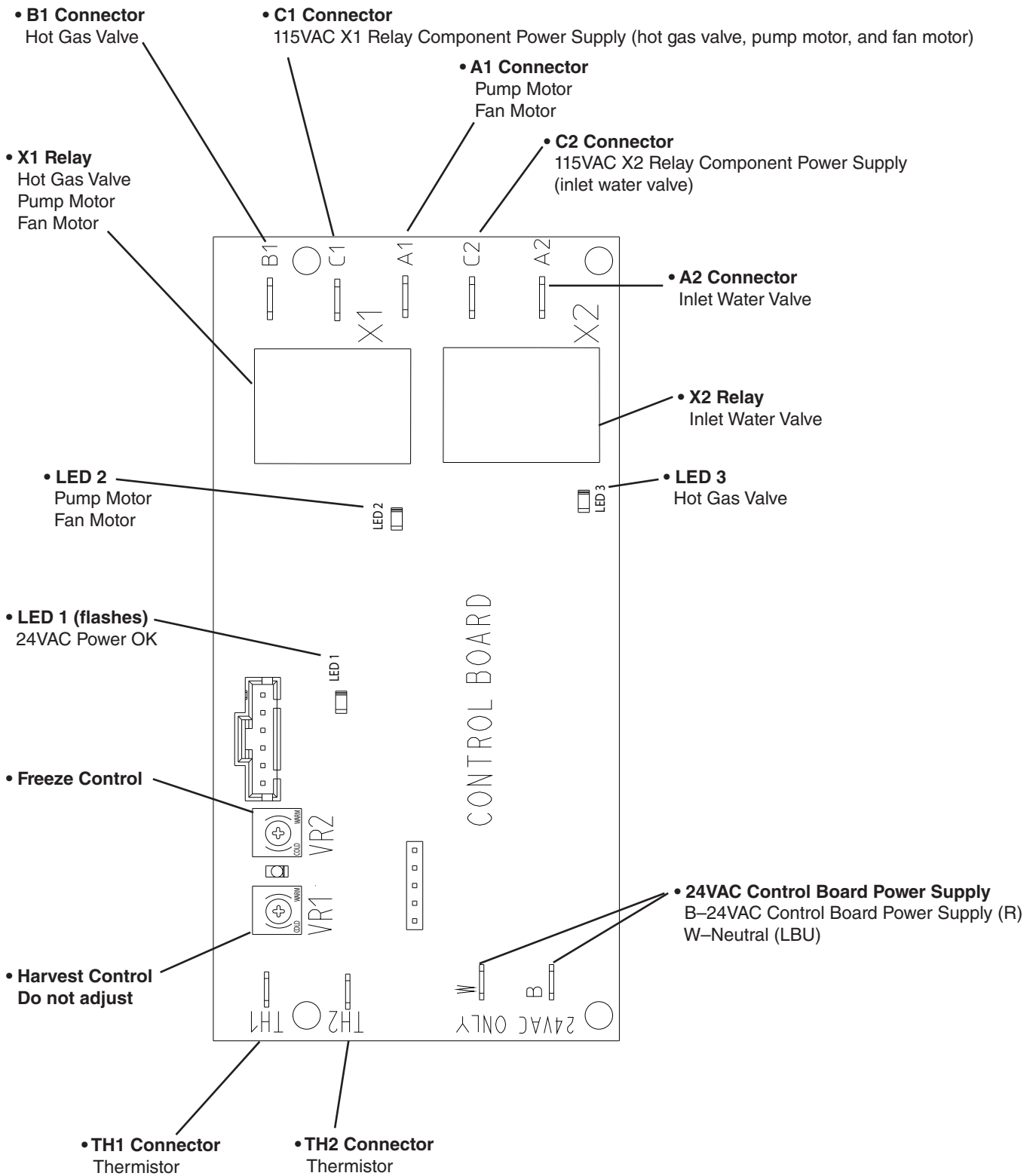
<i>NOTICE</i>
<ul style="list-style-type: none">• Fragile, handle very carefully.• The control board contains integrated circuits, which are susceptible to failure due to static discharge. It is especially important to touch the metal part of the icemaker when handling or replacing the control board.• Do not touch the electronic devices on the control board or the back of the control board.• Do not change wiring and connections.• Do not short out power supply to test for voltage.• Always replace the whole control board assembly if it goes bad.

A. Control Board Layout

1. Auxiliary Code C-0 and Earlier



2. Auxiliary Code C-1 and Later



B. Settings and Adjustments

1) VR1 Harvest Control

VR1 harvest control is for adjustment of the harvest cycle completion temperature. Factory set, do not adjust.

NOTICE

Do not adjust VR1 harvest control. VR1 harvest control is factory set for proper operation. Adjustment outside of the factory default setting will result in freeze up and/or damage to the appliance.

- a) **Initial Harvest:** Terminated by 50 sec. harvest timer. No temperature requirement.
- b) **Normal Harvest:** Terminated by temperature (47°F (7°C)) and time (50 sec. harvest timer).
Once the thermistor warms to 47°F (7°C), CB reads 4.5 kΩ from the thermistor and turns harvest termination over to the 50-sec. harvest timer.

2) VR2 Freeze Control

VR2 freeze control is for adjustment of the freeze cycle completion temperature (controls size of hole in ice cube). If adjustment to cube hole size is desired, follow the instructions below. See Fig. 1.

NOTICE

Do not adjust VR2 to the lowest temperature setting. This will result in freeze up.

- a) **Larger Hole:** Turn VR2 freeze control clockwise for a higher freeze cycle completion temperature (WARM) for shorter freeze time and ice cubes with larger diameter holes.
- b) **Smaller Hole:** Turn VR2 freeze control counterclockwise for a lower freeze cycle completion temperature (COLD) for longer freeze time and ice cubes with smaller diameter holes.

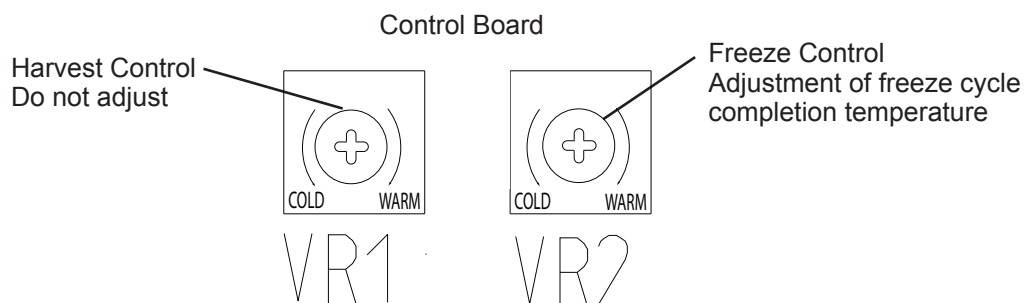


Fig. 1

C. LED Lights Auxiliary Code C-1 and Later

1) LED 1 24VAC

Green LED 1 flashes to indicate proper 24VAC and continues to flash unless BC is open, control switch is moved to the "OFF" position, or appliance is unplugged.

2) LED 2 Freeze

Green LED 2 (PM) turns on at freeze cycle initiation and turns off at freeze cycle termination.

3) LED 3 Harvest

Green LED 3 (HGV) turns on at harvest cycle initiation and turns off at harvest cycle termination.

D. Control Switch

The control switch has three positions: "OFF," "ICE," and "WASH." In the "OFF" position power is still present at the DP connector and DP (if applicable). In the "WASH" position, PM and FM energize after the 50 sec. HT terminates (C-0 and earlier).

Note: When in the "WASH" position, FM also energizes.

Legend: **BC**—bin control; **DP**—drain pump; **HGV**—hot gas valve; **HT**—harvest timer; **FM**—fan motor; **PM**—pump motor

IV. Refrigeration Circuit and Component Service Information

⚠ WARNING

- This appliance should be diagnosed and repaired only by qualified service personnel to reduce the risk of death, electric shock, serious injury, or fire.
- Move the control switch to the "OFF" position, then unplug the appliance from the electrical outlet before servicing.
- **CHOKING HAZARD:** Ensure all components, fasteners, and thumbscrews are securely in place after the icemaker is serviced. Make sure that none have fallen into the ice storage bin.
- Make sure all food zones in the icemaker and ice storage bin are clean after service.

A. Refrigeration Circuit Service Information

⚠ WARNING

- Repairs requiring the refrigeration circuit to be opened must be performed by properly trained and EPA-certified service personnel.
- Use an electronic leak detector or soap bubbles to check for leaks. Add a trace of refrigerant to the system (if using an electronic leak detector), and then raise the pressure using nitrogen gas (140 PSIG). Do not use R-134a as a mixture with pressurized air for leak testing.

NOTICE

- Always recover the refrigerant and store it in an approved container. Do not discharge the refrigerant into the atmosphere.
- Do not leave the system open for longer than 15 min. when replacing or servicing parts. The Polyol Ester (POE) oils used in R-134a applications can absorb moisture quickly. Therefore it is important to prevent moisture from entering the system when replacing or servicing parts.
- Always install a new drier every time the sealed refrigeration system is opened. Do not replace the drier until after all other repair or replacement has been made. Install the new drier with the arrow on the drier in the direction of the refrigerant flow.
- When brazing, protect the drier by using a wet cloth to prevent the drier from overheating. Do not allow the drier to exceed 250°F (121°C).

1. Refrigerant Recovery

No refrigerant access valves are provided on this appliance. Using proper refrigerant practices, utilize a temporary tap-line valve on the high side to recover the refrigerant. Store the refrigerant in an approved container. Do not discharge the refrigerant into the atmosphere. After recovery is complete, replace the tap-line valve with a proper, permanent access valve.

2. Brazing

⚠ WARNING

- R-134a itself is not flammable at atmospheric pressure and temperatures up to 212°F (100°C).
- R-134a itself is not explosive or poisonous. However, when exposed to high temperatures (open flames), R-134a can be decomposed to form hydrofluoric acid and carbonyl fluoride both of which are hazardous.
- Do not use silver alloy or copper alloy containing arsenic.

1) Braze all fittings while purging with nitrogen gas flowing at a pressure of 3 to 4 PSIG.

NOTICE

- Always install a new drier every time the sealed refrigeration system is opened.
- Do not replace the drier until after all other repair or replacement has been made. Install the new drier with the arrow on the drier in the direction of the refrigerant flow.
- When brazing, protect the drier by using a wet cloth to prevent the drier from overheating. Do not allow the drier to exceed 250°F (121°C).

2) Use an electronic leak detector or soap bubbles to check for leaks. Add a trace of refrigerant to the system (if using an electronic leak detector), and then raise the pressure using nitrogen gas (140 PSIG). Do not use R-134a as a mixture with pressurized air for leak testing.

3. Evacuation and Recharge (R-134a)

1) Attach a vacuum pump to the system. Be sure the high-side charging hose is connected to the field-installed high-side access valve.

IMPORTANT

The vacuum level and vacuum pump may be the same as those for current refrigerants. However, the rubber hose and gauge manifold to be used for evacuation and refrigerant charge should be exclusively for POE oils.

- 2) Turn on the vacuum pump. Open the gauge manifold valves. Never allow the oil in the vacuum pump to flow backwards.
- 3) Allow the vacuum pump to pull down to a 29.9" Hg vacuum. Evacuating period depends on pump capacity.
- 4) Close the high-side valve on the gauge manifold.
- 5) Disconnect the gauge manifold hose from the vacuum pump and attach it to a refrigerant service cylinder. Remember to loosen the connection and purge the air from the hose. For the required refrigerant charge, see the rating label inside the icemaker. Hoshizaki recommends only virgin refrigerant or reclaimed refrigerant which meets ARI Standard 700 (latest edition) be used.

- 6) A liquid charge is recommended when charging an R-134a system. Place the service cylinder on the scales; if the service cylinder is not equipped with a dip tube, invert the service cylinder, then place it on the scales. Open the high-side valve on the gauge manifold.
- 7) Allow the system to charge with liquid until the proper charge weight is met.
- 8) Close the high-side valve on the gauge manifold, then close the refrigerant access valve (if applicable). Disconnect the gauge manifold hose.
- 9) Cap the access valve to prevent a possible leak.

B. Component Service Information

NOTICE
When replacing a component listed below, see the notes to help ensure proper operation.

Component	Notes
Compressor	Install a new drier and PTC relay.
Hot Gas Valve	<ul style="list-style-type: none"> • Replace the strainer. • Use copper tube of the same diameter and length when replacing valve lines.
Pump Motor	<p>F-0 and earlier units must order SP-5219: This kit includes pump motor 3A8334-01 and wiring label.</p> <p>For F-1 and later units, order 3A8334-01.</p> <p>The 3A8334-01 pump motor does not utilize a capacitor or a ground wire.</p>
Thermistor	<ul style="list-style-type: none"> • Attach the new thermistor to the evaporator in the same location as the previous thermistor. • Smoothly fill the recessed area of the thermistor holder with high thermal conductive type sealant. Hoshizaki America part number 4A0683-01 (Silicone Heat Sink Compound 10-8108 manufactured by GC Electronics), KE-4560 RTV (manufactured by ShinEtsu Silicones), or equivalent are recommended. • Secure the thermistor with the holder. • Be very careful to prevent damage to the leads.

V. Maintenance

This appliance must be maintained in accordance with the instruction manual and labels provided with the appliance. Consult with your local Hoshizaki Certified Service Representative about maintenance service.

⚠ WARNING

- Only qualified service technicians should service this appliance.
- Failure to install, operate, and maintain the appliance in accordance with this manual will adversely affect safety, performance, component life, and warranty coverage.
- Move the control switch to the "OFF" position and unplug the appliance from the electrical outlet before servicing.
- To reduce the risk of electric shock, do not touch the control switch or plug with damp hands.
- **CHOKING HAZARD:** Ensure all components, fasteners, and thumbscrews are securely in place after any maintenance is performed. Make sure that none have fallen into the ice storage bin.
- After service, make sure that there are no wires pinched between the panels and appliance. Make sure you do not damage or pinch the water supply line, drain line, or power cord.

A. Maintenance Schedule

The maintenance schedule below is a guideline. More frequent maintenance may be required depending on water quality, the appliance's environment, and local sanitation regulations.

Maintenance Schedule		
Frequency	Area	Task
Weekly	Scoop	Clean the scoop using a neutral cleaner. Rinse thoroughly after cleaning.
Monthly	External Water Filters	Check for proper pressure and change if necessary.
	Appliance Exterior	Wipe down with clean, soft cloth. Use a damp cloth containing a neutral cleaner to wipe off oil or dirt build up. Clean any chlorine staining (rust colored spots) using a non-abrasive cleaner like Zud or Bon Ami.
Every 3 Months	Ice Storage Bin Drain	Maintain as outlined in the instruction manual or maintenance label.
Yearly	Appliance and Ice Storage Bin	Clean and sanitize per the cleaning and sanitizing instructions provided in the instruction manual.
	Optional Drain Pump (HS-0248 or HS-5061)	Test as outlined in "V.B. Optional Drain Pump HS-0248 or HS-5061."
	Water Supply Inlet	Close the icemaker water supply line shut-off valve and drain the water system. Clean the water supply inlet screen.
	Condenser	Inspect. Clean if necessary.
	Water Hoses	Inspect the water hoses and clean/replace if necessary.

B. Optional Drain Pump HS-0248 or HS-5061

If the optional drain pump (HS-0248 or HS-5061) is installed, test its operation at least once a year as outlined below. Note that the pump has power even when the control switch is in the "OFF" position.

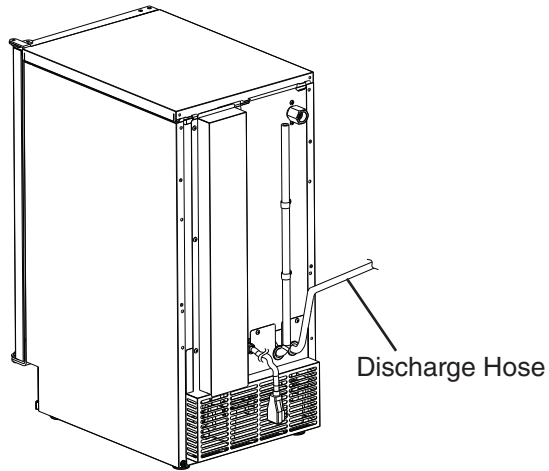
NOTICE

If the optional drain pump is not operating properly or not primed properly (HS-0248), it will adversely affect performance, component life, and warranty coverage and may result in costly water damage.

- 1) Move the control switch to the "OFF" position, then unplug the appliance from the electrical outlet. **WARNING! To reduce the risk of electric shock, do not touch the control switch or plug with damp hands.**
- 2) Remove all ice from the ice storage bin.
- 3) Plug the appliance back in.
- 4) Slowly pour 24 to 30 oz. (710 to 890 ml) of water over the ice storage bin drain hole in the ice storage bin.
- 5a) HS-0248: If water pumps out properly and the drain pump then de-energizes, proceed to step 6. If water does not pump out properly and/or the drain pump does not de-energize, follow the steps below to prime the drain pump.
Priming Instructions
 - a. Disconnect the appliance's power cord from the electrical outlet, then reconnect to the electrical outlet. **WARNING! To reduce the risk of electric shock, do not touch the power cord with damp hands.**
 - b. Slowly pour another 24 to 30 oz. (710 to 890 ml) of water over the storage bin drain hole in the storage bin. If not already energized, the drain pump should energize.
 - c. Confirm that water is discharged through the discharge hose. The drain pump should then de-energize. If not, repeat steps a through c until water is discharged through the discharge hose and the drain pump de-energizes. The drain pump is primed when the drain pump de-energizes.
 - d. If water now pumps out properly and the drain pump de-energizes, proceed to step 6. If water still does not pump out properly and/or the drain pump does not de-energize, replace as needed.
- 5b) HS-5061: If water pumps out properly and the drain pump then de-energizes, proceed to step 6. If water does not pump out, confirm 115VAC to drain pump, replace as needed. Priming does not apply to HS-5061.
- 6) Move the control switch to the "ICE" position.
- 7) Pour another 24 to 30 oz. (710 to 890 ml) of water into the ice storage bin, then completely restrict the discharge hose while the drain pump is operating. See Fig. 2. Pour more water into the ice storage bin until the appliance turns off. The drain pump will continue to operate. Check for leaks.

- 8) Remove the discharge hose restriction and allow the water to be pumped out normally. Power to the appliance will be restored when the water in the drain pump returns to a normal level.
- 9) If the appliance fails to turn off with the discharge hose restricted or the drain pump fails to pump out the water, replace the drain pump.

Fig. 2



VI. Preparing the Icemaker for Periods of Non-Use

During extended periods of non-use, extended absences, or in sub-freezing temperatures, follow the instructions below. When the appliance is not used for two or three days under normal conditions, it is sufficient to move the control switch to the "OFF" position.

⚠ WARNING

Only qualified service technicians should service this appliance.

NOTICE

During extended periods of non-use, extended absences, or in sub-freezing temperatures, follow the instructions below to reduce the risk of costly water damage.
--

- 1) Close the water supply line shut-off valve, then open the water supply line drain valve.
- 2) Allow the line to drain by gravity.
- 3) Attach a compressed air or carbon dioxide supply to the water supply line drain.
- 4) Move the control switch to the "ICE" position.
- 5) Blow the water supply line out using the compressed air or carbon dioxide supply.
- 6) Move the control switch to the "OFF" position.
- 7) Unplug the appliance.
- 8) Close the water supply line drain valve.
- 9) Remove the water tank hose and drain the water tank.
- 10) Optional drain pump: remove the drain pump and empty the drain pump reservoir. Replace the drain pump in its original position.
- 11) Remove all ice from the ice storage bin. Clean the ice storage bin liner using a neutral cleaner. Rinse thoroughly after cleaning.

VII. Disposal

This appliance contains refrigerant and must be disposed of in accordance with applicable national, state, and local codes and regulations. Refrigerant must be recovered by properly certified service personnel.

VIII. Technical Information

We reserve the right to make changes in specifications and design without prior notice.

A. Specification and Performance Data

Pressure data is recorded at 5 min. into freezing cycle. The data not in bold should be used for reference only.

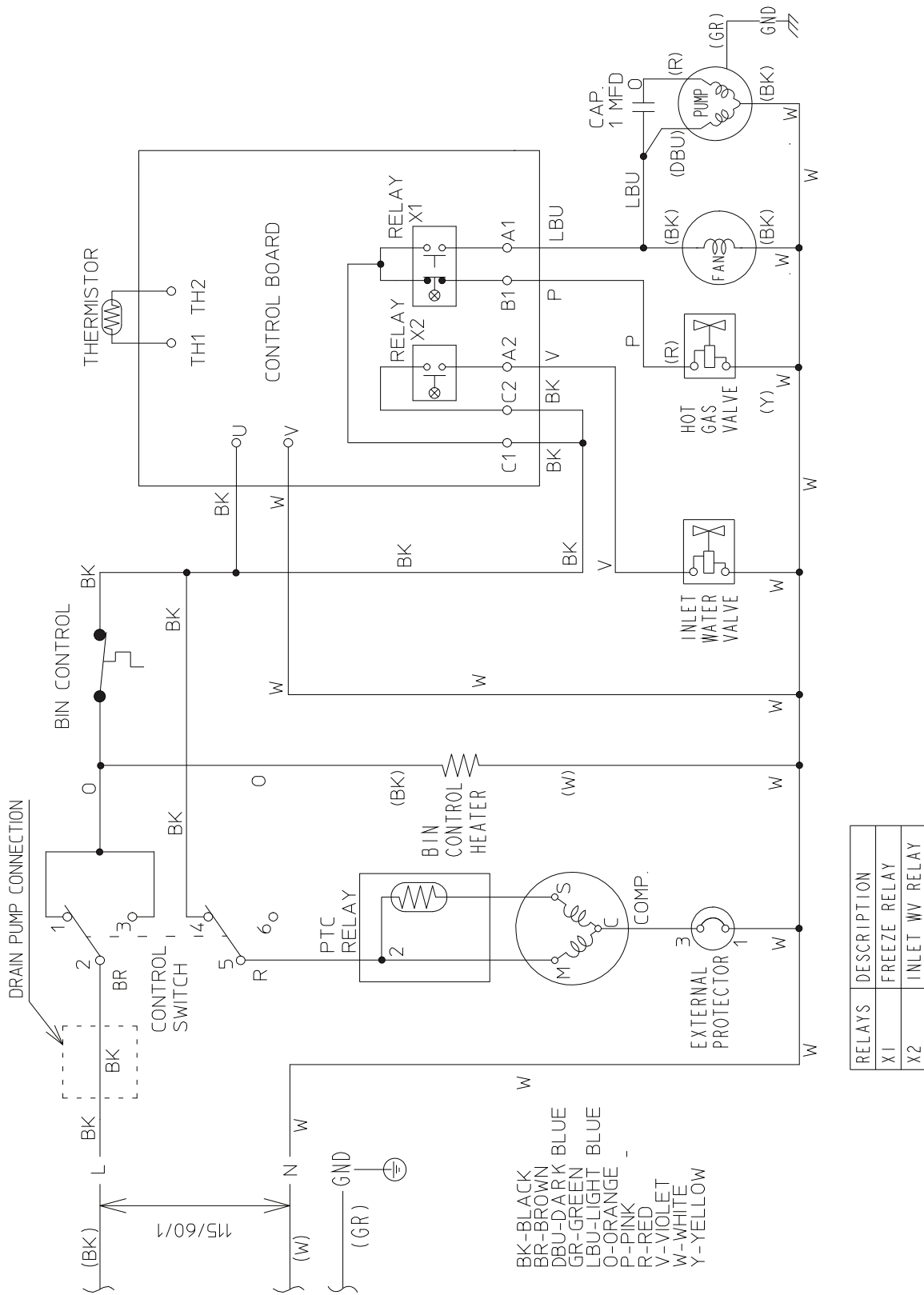
SPECIFICATION SHEET		MODEL: AM-50BAE, AM-50BAE-DS, AM-50BAE-AD, AM-50BAE-ADDS	
AC SUPPLY VOLTAGE		115/60/1	
AMPERAGE		Aux. Code E-0 and Earlier and F-0:	3.4 A (5 Min. Freeze AT 104°F / WT 80°F)
		Aux. Code E-1 and F-1 and Later:	3.8 A (5 Min. Freeze AT 104°F / WT 80°F)
MINIMUM CIRCUIT AMPACITY		15 A	
MAXIMUM FUSE SIZE		15 A	
ELECTRIC & WATER CONSUMPTION		90/70°F	
ELECTRIC W (kWH/100 lbs.)		238 (16.8)	227 (9.9)
WATER gal./24HR (gal./100 lbs.)		22.0 (63.9)	30.0 (53.7)
ICE PRODUCTION PER CYCLE		0.65 lbs. (0.29 kg) 24 pcs.	
APPROXIMATE STORAGE CAPACITY		27 lbs. (12.5 kg) [Bin Control Setting 22 lbs. (10.0 kg)]	
REFRIGERANT CHARGE		R134a 4.2 oz. (120 g)	

PERFORMANCE DATA		MODEL: AM-50BAE, AM-50BAE-DS, AM-50BAE-AD, AM-50BAE-ADDS					
APPROXIMATE ICE PRODUCTION PER 24 HR.	AMBIENT TEMP. (°F/°C)	WATER TEMP. (°F/°C)					
		50/10		70/21		90/32	
	70/21	55	<u>25</u>	49	<u>22</u>	46	<u>21</u>
	80/27	50	<u>23</u>	41	<u>19</u>	41	<u>19</u>
	90/32	49	<u>22</u>	34	<u>15</u>	33	<u>15</u>
lbs./day kg./day	100/38	42	<u>19</u>	34	<u>15</u>	32	<u>15</u>
APPROXIMATE ELECTRIC CONSUMPTION	70/21	227		230		237	
	80/27	229		234		243	
	90/32	230		238		246	
	100/38	236		240		253	
APPROXIMATE WATER CONSUMPTION PER 24 HR.	70/21	30	<u>0.11</u>	27	<u>0.10</u>	24	<u>0.09</u>
	80/27	28	<u>0.11</u>	24	<u>0.09</u>	22	<u>0.08</u>
	90/32	27	<u>0.10</u>	22	<u>0.08</u>	19	<u>0.08</u>
	100/38	24	<u>0.09</u>	21	<u>0.08</u>	17	<u>0.06</u>
FREEZING CYCLE TIME	70/21	15		17		20	
	80/27	16		19		23	
	90/32	17		21		25	
	100/38	20		22		29	
HARVEST CYCLE TIME	70/21	2.5		2.5		2.5	
	80/27	2.5		2		2	
	90/32	2		2		2	
	100/38	2		2		2	
HEAD PRESSURE	70/21	145	<u>10.2</u>	161	<u>11.3</u>	182	<u>12.8</u>
	80/27	157	<u>11.0</u>	182	<u>12.8</u>	202	<u>14.2</u>
	90/32	161	<u>11.3</u>	200	<u>14.1</u>	221	<u>15.5</u>
	100/38	165	<u>11.6</u>	205	<u>14.4</u>	240	<u>16.9</u>
SUCTION PRESSURE	70/21	18	<u>1.3</u>	22	<u>1.5</u>	25	<u>1.8</u>
	80/27	21	<u>1.5</u>	26	<u>1.8</u>	28	<u>2.0</u>
	90/32	22	<u>1.5</u>	30	<u>2.1</u>	33	<u>2.3</u>
	100/38	22	<u>1.5</u>	31	<u>2.2</u>	35	<u>2.5</u>

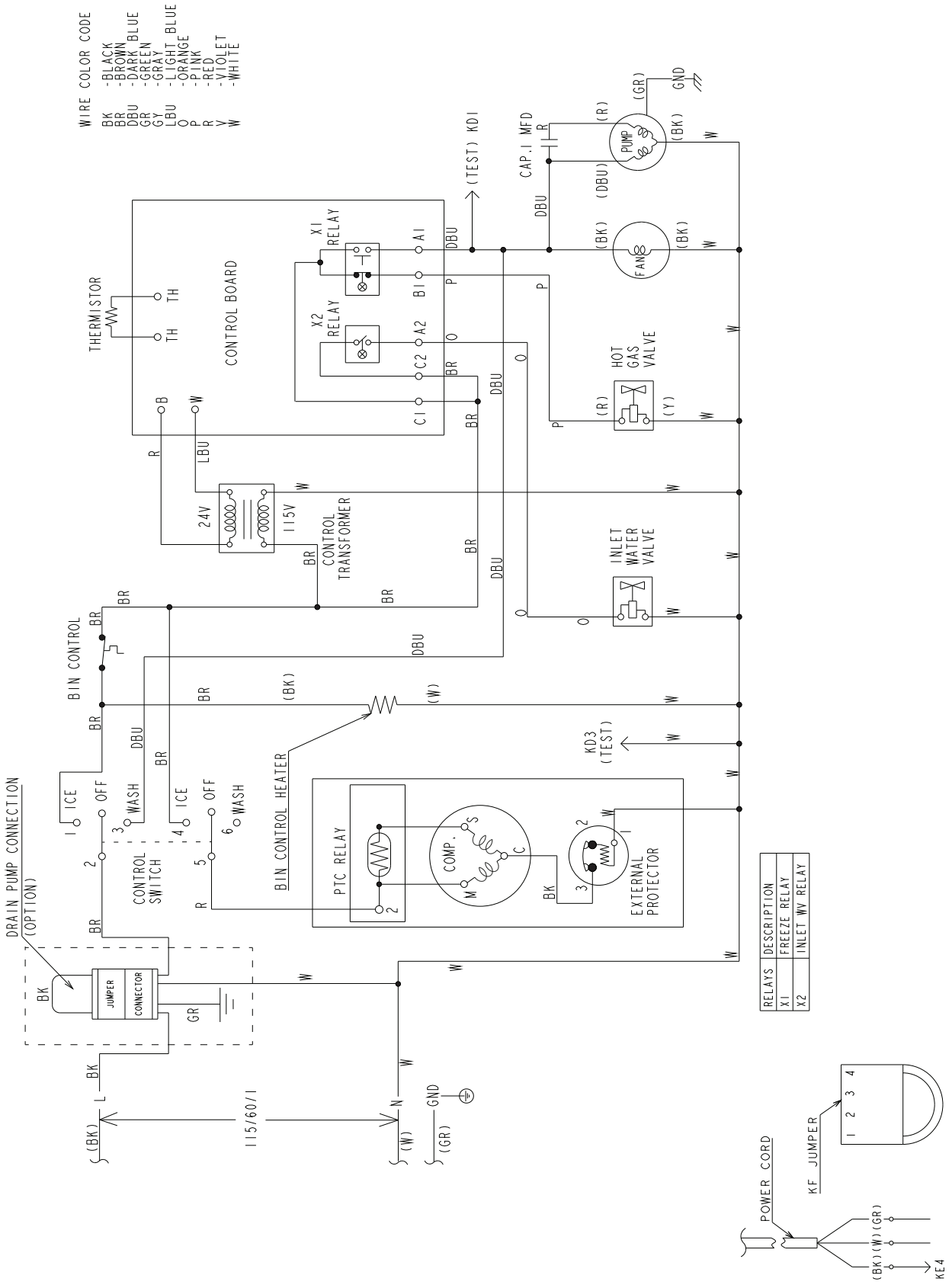
TOTAL HEAT OF REJECTION FROM CONDENSER 1850 BTU/h [AT 90°F (32°C) / WT 70°F (21°C)]

B. Wiring Diagrams

1. Auxiliary Code C-0 and Earlier

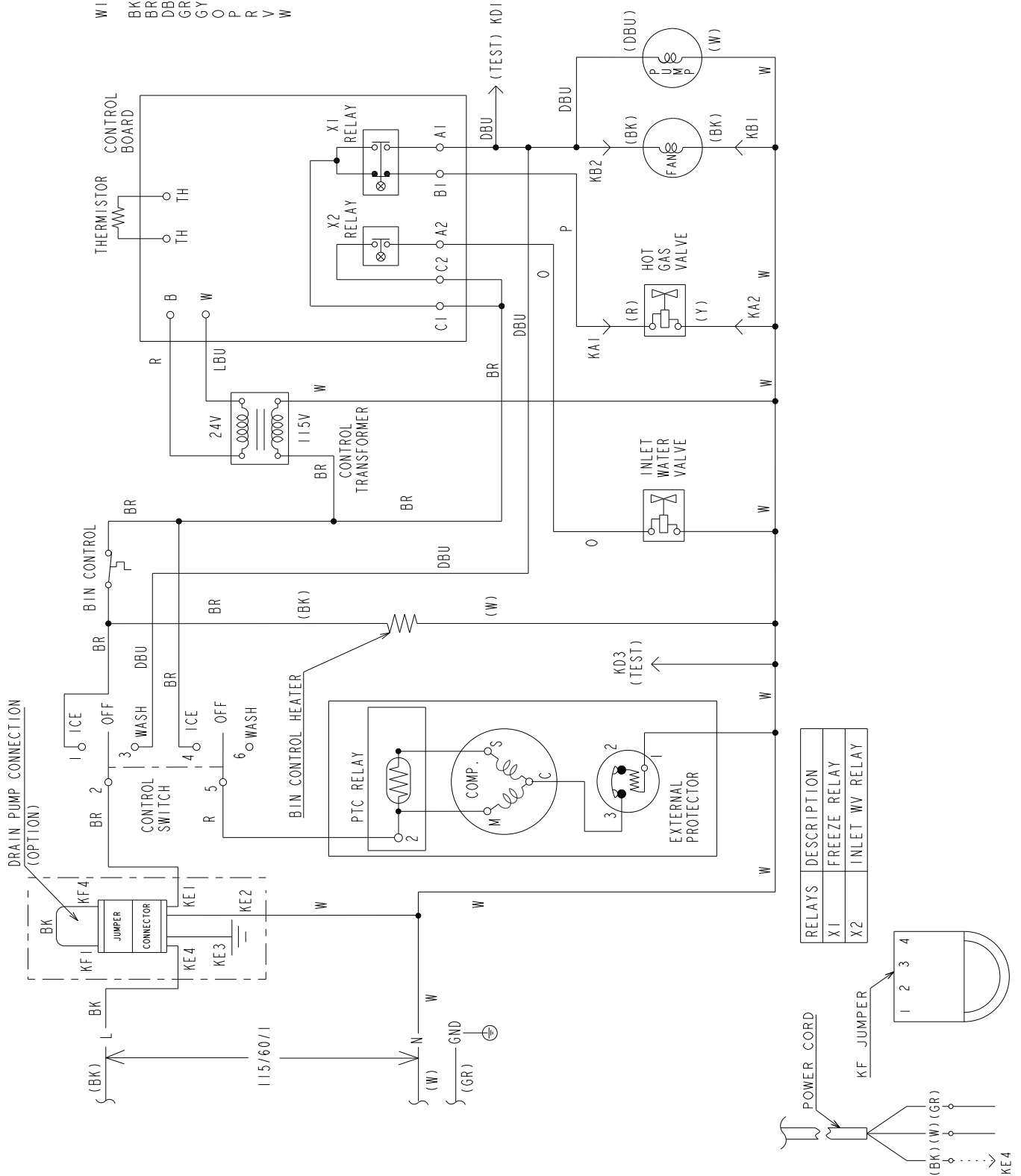


2. Auxiliary Code C-1 to F-0



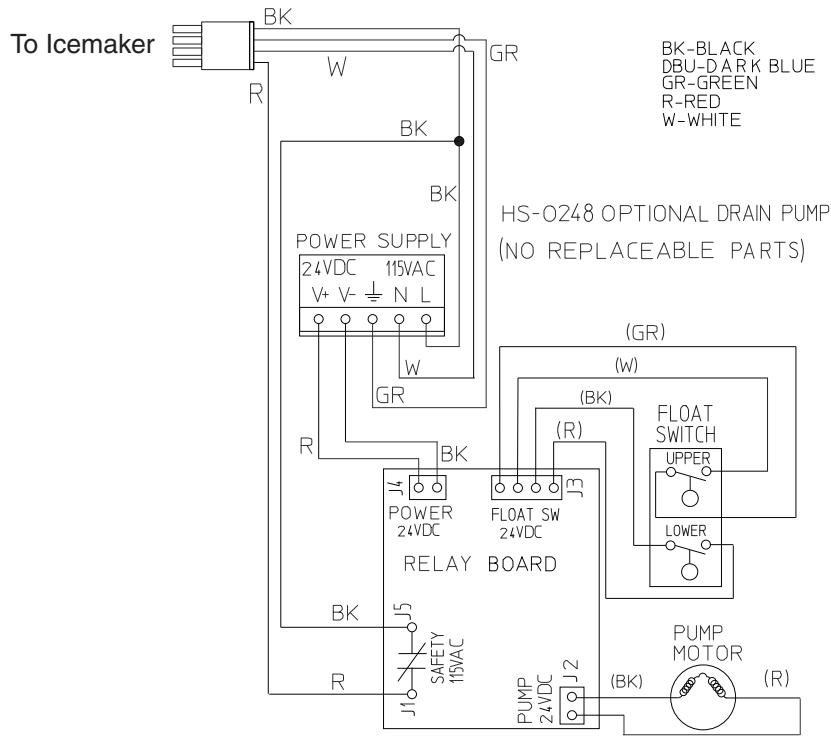
3. Auxiliary Code F-1 and Later

- WIRE COLOR CODE:
- BLACK BK
 - BROWN BR
 - DARK BLUE DBU
 - GREEN GR
 - ORANGE O
 - PINK P
 - RED R
 - VIOLET V
 - WHITE W



4. HS-0248 and HS-5061 Optional Drain Pump

a) HS-0248



b) HS-5061

