

Hoshizaki America, Inc.

Ice Dispensing Bin

Models
DB-130H



“A Superior Degree
of Reliability”

www.hoshizaki.com

INSTRUCTION MANUAL



Issued: 6-5-2001
Revised: 12-10-2003

IMPORTANT

Only qualified service technicians should attempt to install, service or maintain this ice dispenser. No installation, service or maintenance should be undertaken until the technician has thoroughly read this Instruction Manual. Likewise, the owner/manager should not proceed to operate the ice dispenser until the installer has instructed them on its proper operation.

HOSHIZAKI provides this manual primarily to assist qualified service technicians in the installation, maintenance and service of the ice dispenser.

Should the reader have any questions or concerns which have not been satisfactorily addressed, please call or write to the HOSHIZAKI Technical Support Department for assistance.

HOSHIZAKI AMERICA, INC.
618 Highway 74 South
Peachtree City, GA 30269

Attn: HOSHIZAKI Technical Support Department

Phone: 1-800-233-1940 Technical Service
(770) 487-2331
Fax: (770) 487-3360

NOTE: To expedite assistance, all correspondence/communication **MUST** include the following information:

- Model Number
- Serial Number
- Complete and detailed explanation of the problem

- Please review this manual. It should be read carefully before the ice dispenser is installed and operated. Only qualified service technicians should install, service and maintain the ice dispenser. This manual should be made available to the technician prior to installation, maintenance or service.
- Keep this manual with the dispenser for later reference.

CONTENTS

	PAGE
I. SPECIFICATIONS	4
1. NAMEPLATE RATING	4
2. DIMENSIONS/CONNECTIONS	5
II. INSTALLATION AND OPERATING INSTRUCTIONS	6
1. CHECKS BEFORE INSTALLATION	6
2. LOCATION	7
3. SET UP	8
4. ELECTRICAL CONNECTION	10
5. DRAIN CONNECTIONS	11
6. FINAL CHECK LIST	11
7. START UP	13
8. PREPARING THE ICE DISPENSING BIN FOR LONG STORAGE	13
III. CLEANING AND MAINTENANCE INSTRUCTIONS	14
1. CLEANING INSTRUCTIONS	14
[a] CLEANING PROCEDURE	14
[b] SANITIZING PROCEDURE	16
2. MAINTENANCE	16

I. SPECIFICATIONS

1. NAMEPLATE RATING

HOSHIZAKI ICE DISPENSING BIN	
MODEL NUMBER	DB-130H
SERIAL NUMBER	
AC SUPPLY VOLTAGE	115/60/1
AMPERES	1.4 AMPS
MAXIMUM FUSE SIZE	15 AMPS
MAX. HACR BREAKER (USA ONLY)	15 AMPS
MAX. CIRC. BREAKER (CANADA ONLY)	15 AMPS
MINIMUM CIRCUIT AMPACITY	15 AMPS

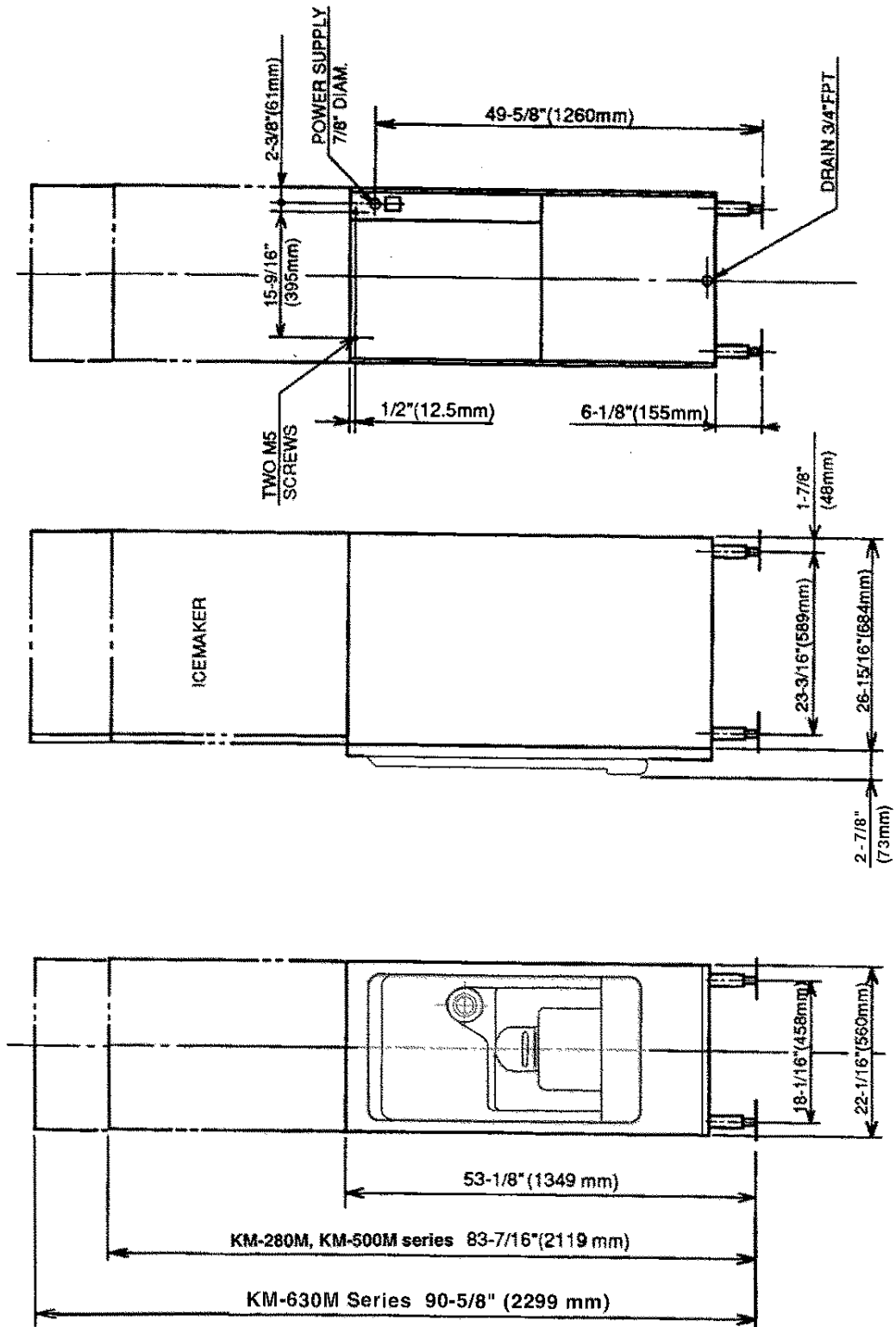
HOSHIZAKI AMERICA, INC.
Peachtree City, GA

 LISTED ACCESORY OF ICE MAKER 946Z		 COMPONENT [®]
--	---	--

See NAMEPLATE for electrical specifications. The nameplate is located on the upper part of the right side panel.

We reserve the right to make changes in specifications and design without prior notice.

2. DIMENSIONS/CONNECTIONS



II. INSTALLATION AND OPERATING INSTRUCTIONS

1. CHECKS BEFORE INSTALLATION

IMPORTANT

1. This ice dispensing bin is designed and intended to be used in combination with a Hoshizaki Modular Crescent Ice Cuber, Models KM-280M, KM-500M, or KM-630M.

It cannot be recommended to use this ice dispensing bin in combination with any cuber or flaker other than a Hoshizaki Modular Crescent Ice Cuber.

2. Remove shipping carton, tape(s) and packing to prevent damage to the ice dispensing bin.

3. Ensure all components, fasteners and thumbscrews are securely in place.

- 1) Remove the Front panel to prevent damage before installing.
- 2) Remove the package containing the accessories.
- 3) Remove the protective plastic film from the Side Panels. If the ice dispensing bin has been exposed to the sunlight or to direct heat, it should be allowed to cool before removing the protective film.
- 4) See the Nameplate, located on the upper part of the Right Side Panel. Check that the voltage supplied corresponds with the voltage specified on the Nameplate.

2. LOCATION

WARNING

This ice dispensing bin is not intended for outdoor use. Normal operating ambient temperature should be within +45°F to +100°F. To the icemaker, water temperature should be within +45°F to +90°F.

Extended periods of operation at temperatures outside of these limitations may cause unsatisfactory results.

For best operating results:

- Ice dispensing bin should not be located next to ovens, grills or other high heat producing equipment.
- Location should provide a firm and level foundation for the equipment.
- Always avoid a site where dripping is not allowed.
- Allow 6" clearance at rear and sides for ease of maintenance and/or service should they be required. More space is needed especially on the left side of the dispensing bin to service the drive system.

CAUTION

The icemaker will not work in sub-freezing temperatures. To prevent damage to the water supply line, always drain the icemaker when air temperature is 32°F or below.

3. SET UP - See Fig. 1.

CAUTION

It is especially important that the icemaker/ice dispensing bin is leveled in both left-to-right and front-to-rear directions. If it is not level, the result could be the production of smaller or irregular shaped cubes or of overflow into the ice dispensing bin. See the "LOCATION" instructions on the icemaker.

- 1) Unpack the ice dispensing bin, and remove all shipping cartons, tape(s) and packing before operating the unit. Attach four (4) adjustable legs [adjustable within max. 6-13/32" (188 mm.) to min. 6" (152 mm.)] to the bottom of the ice dispensing bin. Remove the front panel to prevent damage, and be careful not to damage the other panels when installing the ice dispensing bin. Remove the screws, and pull up and toward you to remove the Front Panel.
- 2) Position the ice dispensing bin in a selected permanent site. Clean and wipe the interior with a clean cloth.
- 3) Unpack the icemaker, and remove all shipping cartons, tape(s) and packaging.
- 4) See the "SET UP" instructions on the icemaker when installing the icemaker.
- 5) Attach the icemaker to the top of the ice dispensing bin, and secure the icemaker by using two Universal Braces and four (4) Hexagon Head bolts (KM accessory).
- 6) Level the icemaker/ice dispensing bin in both the left-to-right and front-to-rear directions.
- 7) Place exterior panels in position on both the icemaker and the ice dispensing bin. See the "SET UP" instructions on the icemaker.

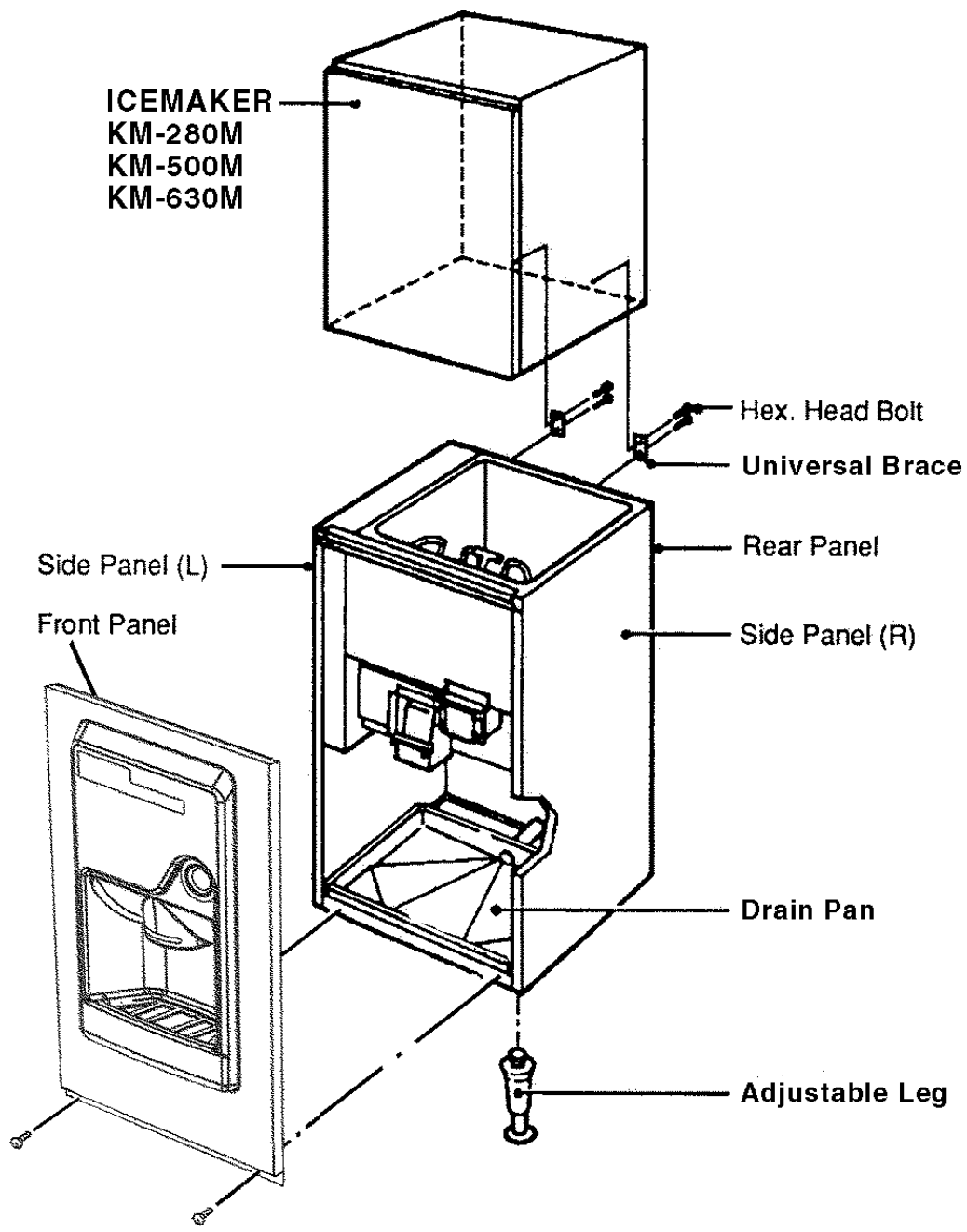


Fig. 1

4. ELECTRICAL CONNECTION

WARNING

1. Electrical connection must be made in accordance with the instructions on a "WARNING" tag, provided with the pigtail leads in the Junction Box.
2. To prevent possible electrical shock to individuals or extensive damage to the equipment, install a proper ground wire to the ice dispensing bin that meets local code requirements.

- The white lead must be connected to the neutral conductor of the power source. Miswiring results in severe damage to the ice dispensing bin. See Fig. 2.
- The ice dispensing bin must have a separate power supply or receptacle of proper capacity. See the Nameplate.
- Check that the ice dispensing switch and the safety switch are operating correctly. See Fig. 3.

Ice Dispensing Switch

Push the button, and the unit should operate. You can hear the operating sound.

Safety Switch

Continue pushing the button, and move the spout toward you. Then the safety switch should operate to stop the unit.

- Usually an electrical permit and services of a licensed electrician are required.

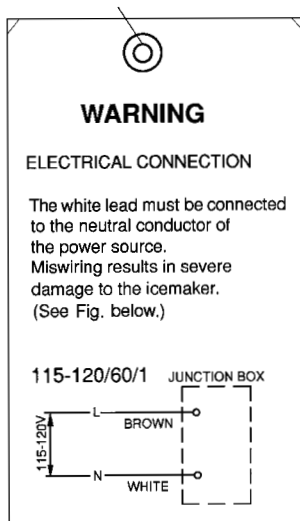


Fig. 2

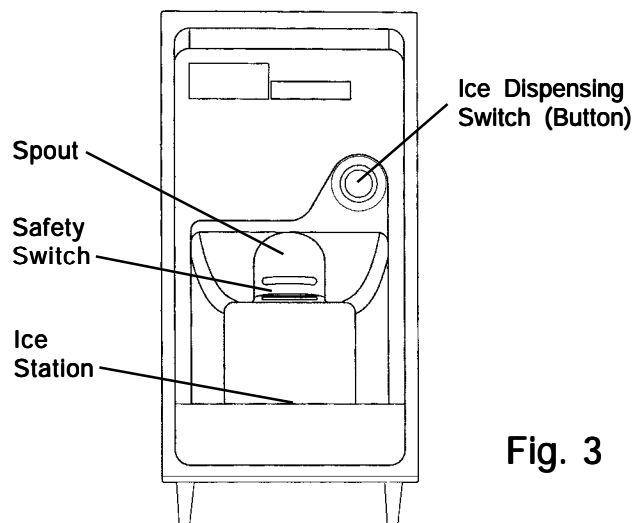


Fig. 3

5. DRAIN CONNECTIONS - See Fig. 4

- A drain outlet, 3/4" female thread, is located at the rear of the ice dispensing bin.
- The drain must have 1/4" fall per foot on horizontal runs to get a good flow.
- The ice dispensing bin drain connection must be made separately from the icemaker drains. See the "WATER SUPPLY AND DRAIN CONNECTIONS" instructions on the icemaker.
- A plumbing permit and services of a licensed plumber may be required in some areas.

6. FINAL CHECK LIST

- 1) Is the icemaker/ice dispensing bin level?
- 2) Is the icemaker/ice dispensing bin in a site where the ambient temperature is within +45°F to +100°F all year around?
- 3) Is there at least 6" clearance around the icemaker/ice dispensing bin for easy maintenance and service, and for good ventilation?
- 4) Have all shipping carton, tape(s) and packing been removed from the icemaker?
- 5) Are all components, fasteners and thumbscrews securely in place?
- 6) Have all electrical and piping connections been made?
- 7) Has the power supply voltage been checked or tested against the nameplate rating?
Has a proper ground been installed in the icemaker/ice dispensing bin?
- 8) Has the ice dispensing bin been cleaned and wiped with a clean cloth?
- 9) Has the end user been given the instruction manual, and instructed on how to operate the icemaker/ice dispensing bin and the importance of the recommended periodic maintenance?
- 10) Has the end user been given the name and telephone number of the contracted service representative?
- 11) Has the warranty tag been filled out and forwarded to the factory for warranty registration?

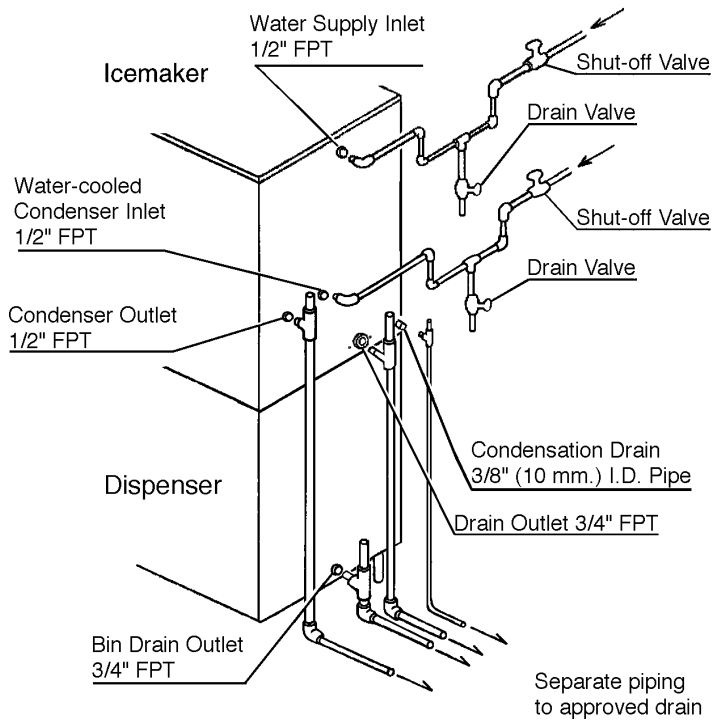
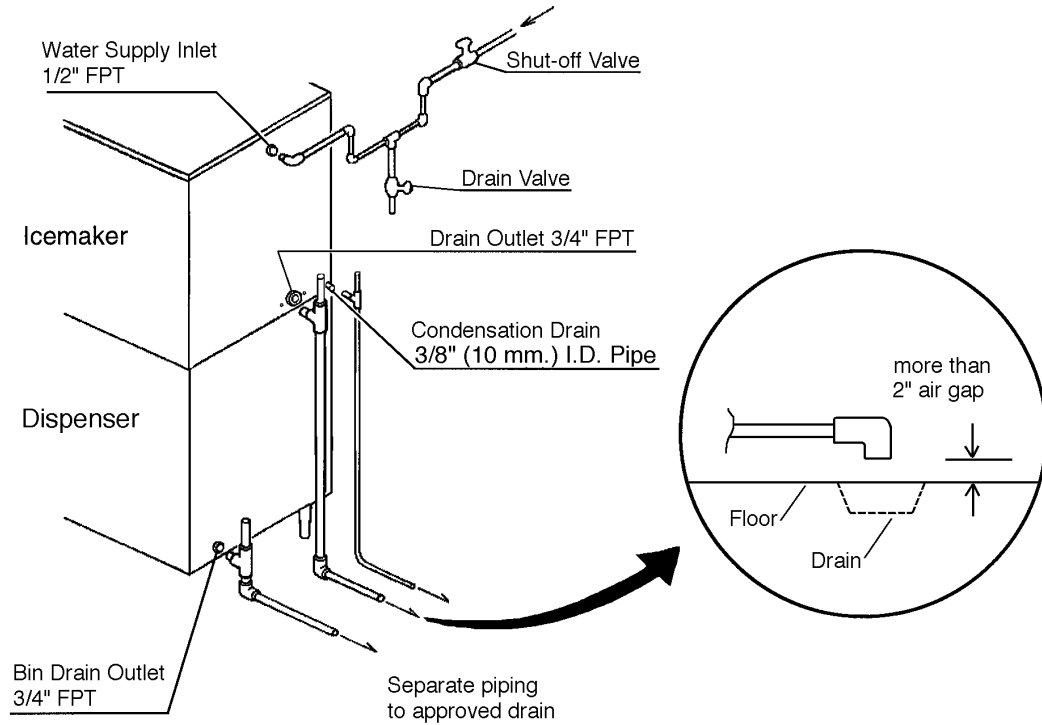


Fig. 4

7. START UP

- 1) Start up the icemaker. See the "START UP" instructions on the icemaker.
- 2) Allow at least three cycles of ice production, and then place a proper container in the ice station.
- 3) Push the ice dispensing switch, to dispense ice cubes.

8. PREPARING THE ICE DISPENSING BIN FOR LONG STORAGE

WARNING

Drain the icemaker and remove all ice from the ice dispensing bin, when shutting off the icemaker/ice dispensing bin for storage. The ice dispensing bin should be cleaned and wiped dry for sanitizing.

- 1) Shut off the icemaker. See the "PREPARING THE CUBER FOR LONG STORAGE" instructions on the icemaker.
- 2) Turn off the power supply switches for both the icemaker and the ice dispensing bin after removing all ice.
- 3) The ice dispensing bin should be cleaned and wiped dry.

III. CLEANING AND MAINTENANCE INSTRUCTIONS

IMPORTANT

Ensure all components, fasteners and thumbscrews are securely in place after any maintenance or cleaning is done to the equipment.

1. CLEANING INSTRUCTIONS

WARNING

1. HOSHIZAKI recommends cleaning this unit at least once a year. (See the "CLEANING INSTRUCTIONS" on the icemaker.) More frequent cleaning, however, may be required in some existing water conditions.
2. To prevent injury to individuals and damage to the icemaker/ice dispensing bin, do not use ammonia type cleaners.
3. Always wear liquid-proof gloves for safe handling of the cleaning and sanitizing solution. This will prevent irritation in case the solution comes into contact with the skin.

[a] CLEANING PROCEDURE

- 1) Clean and sanitize the ice dispensing bin/icemaker (see the cleaning instructions on the icemaker) as conditions require.
- 2) Remove all ice from the bin.
- 3) Disconnect electrical power to the ice dispensing bin/icemaker.
- 4) Remove the Drain Gate and simply lift out the Chute for cleaning.
- 5) Remove or reposition the icemaker to allow access to the inside. Be sure that the icemaker is secured and cannot fall.
- 6) Scrub the inside of the bin, the Agitator, the Spout of the Bin, the Spout of the front panel and Chute using a nylon scouring pad, brushes and cleaning solution, such as 5 oz. Hoshizaki "Scale Away" or "Lime-A-Way" (Economics Laboratories Inc.), in one gallon of water.

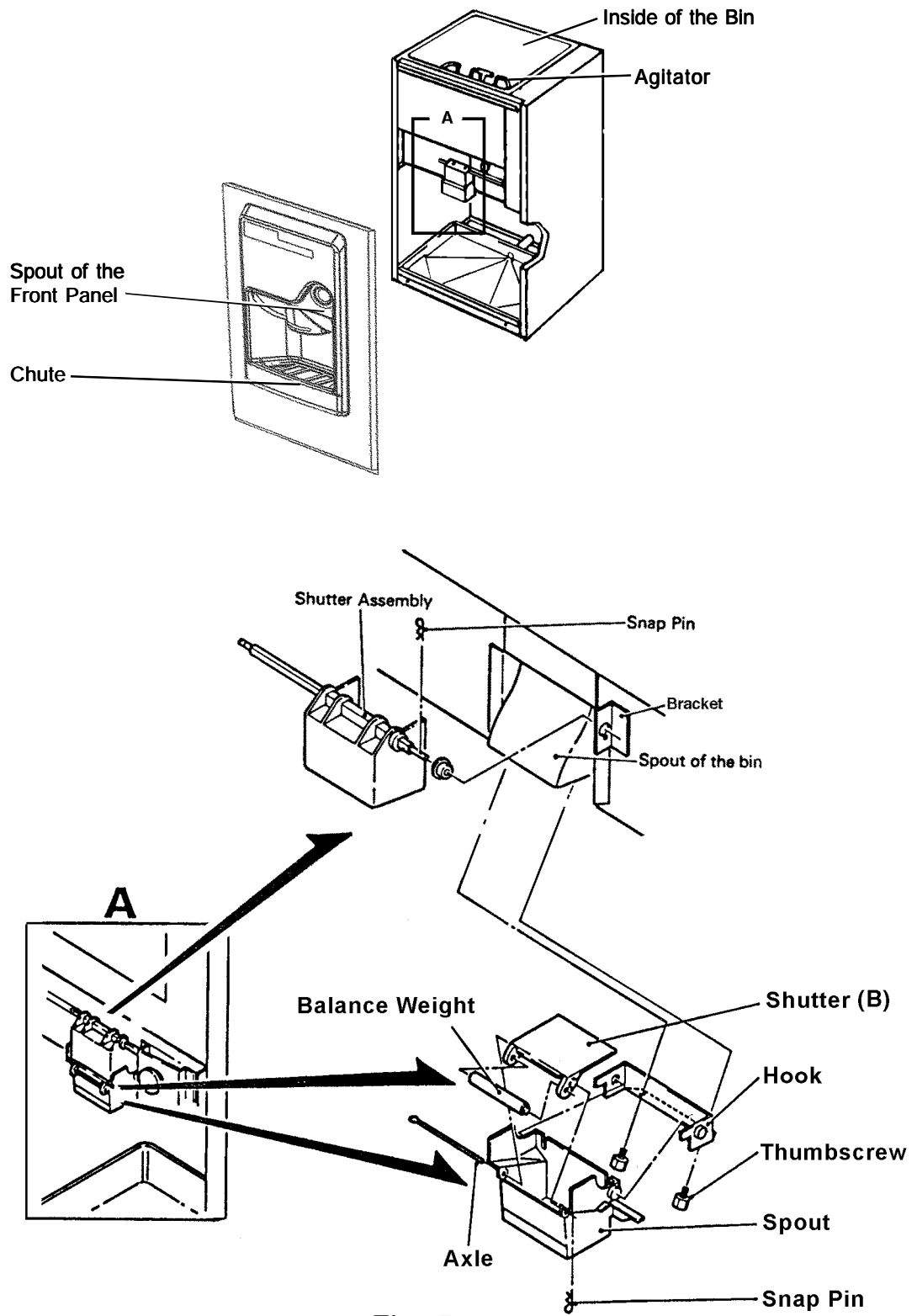


Fig. 5

- 7) Remove the Shutter Assembly and Spout and scrub them using the cleaning solution made in step 6. See Fig. 5.
 - a) Remove the Snap Pin fitted to the Shutter Shaft and shift the Shaft to the right. Then the Shutter Assembly can be removed from the bin.
 - b) Pull out on the sides of the Hook to release the Spout. Lift the Spout up and out from the bin.
 - c) Remove the Thumbscrews holding the Hook and take it off the Spout. Take off the Snap Pin and the Axle from the Shutter (B). Open out the Shutter (B) and remove the Balance Weight.
- 8) Rinse all parts thoroughly with clean water.

[b] SANITIZING PROCEDURE - Following Cleaning Procedure

- 1) Wash all parts in steps 5) and 6) using the following sanitizing solution: 1/2 fl. oz. of a 5.25% sodium hypochlorite solution (chlorine bleach) diluted in 1 gallon of water.
- 2) Rinse all parts thoroughly with clean water.
- 3) Reassemble in the reverse order of the removal procedure.
- 4) Turn on the icemaker/ice dispensing bin.
- 5) Check for proper operation. (See the "ELECTRICAL CONNECTION" instructions.)

2. MAINTENANCE

1) Exterior Panels

To prevent corrosion, wipe occasionally with a clean, soft cloth. Use a damp cloth containing a neutral cleaner to wipe off oil or dirt build up.

- 2) In view of the simple design of this ice dispensing bin, and the limited operating time, very little maintenance is required.

Inspect and oil the chain (2 or 3 drops) annually. Adjust as necessary for 3/8" to 1/2" free play.

HOSHIZAKI AMERICA, INC.

618 Hwy. 74 S., Peachtree City, GA 30269 USA | TEL (770) 487-2331 | FAX (770) 487-3360 | www.hoshizaki.com | 91A4JA10C