



# HOSHIZAKI

## Parts List

Modular Flaker

Models

FD-650MAH-C, MWH-C, MRH-C



[hoshizakiamerica.com](http://hoshizakiamerica.com)

Number: 71351  
Issued: 12-16-2013  
Revised: 3-19-2018

## CONTENTS

Auxiliary Codes.....	3
Note About Ordering Parts .....	3
A. Main Assembly & Refrigeration Circuit .....	4
FD-650MAH-C .....	4
FD-650MWH-C .....	6
FD-650MRH-C .....	8
B. Icemaking Unit.....	10
C. Water Circuit.....	13
D. Control Box Assembly.....	15
E. Accessories & Labels .....	17

## **Auxiliary Codes**

### **FD-650MAH-C**

C-0 June 2013  
D-0 January 2014  
D-1 September 2014  
E-0 March 2015  
F-0 January 2016  
G-0 January 2017  
G-1 April 2017  
H-0 January 2018

### **FD-650MWH-C**

C-0 November 2013  
D-0 February 2014  
D-1 September 2014  
F-0 April 2015  
G-0 January 2017  
G-1 May 2017

### **FD-650MRH-C**

C-0 December 2013  
D-0 March 2014  
D-1 September 2014  
E-0 June 2015  
F-0 January 2016  
G-0 January 2017  
G-1 April 2017  
H-0 January 2018

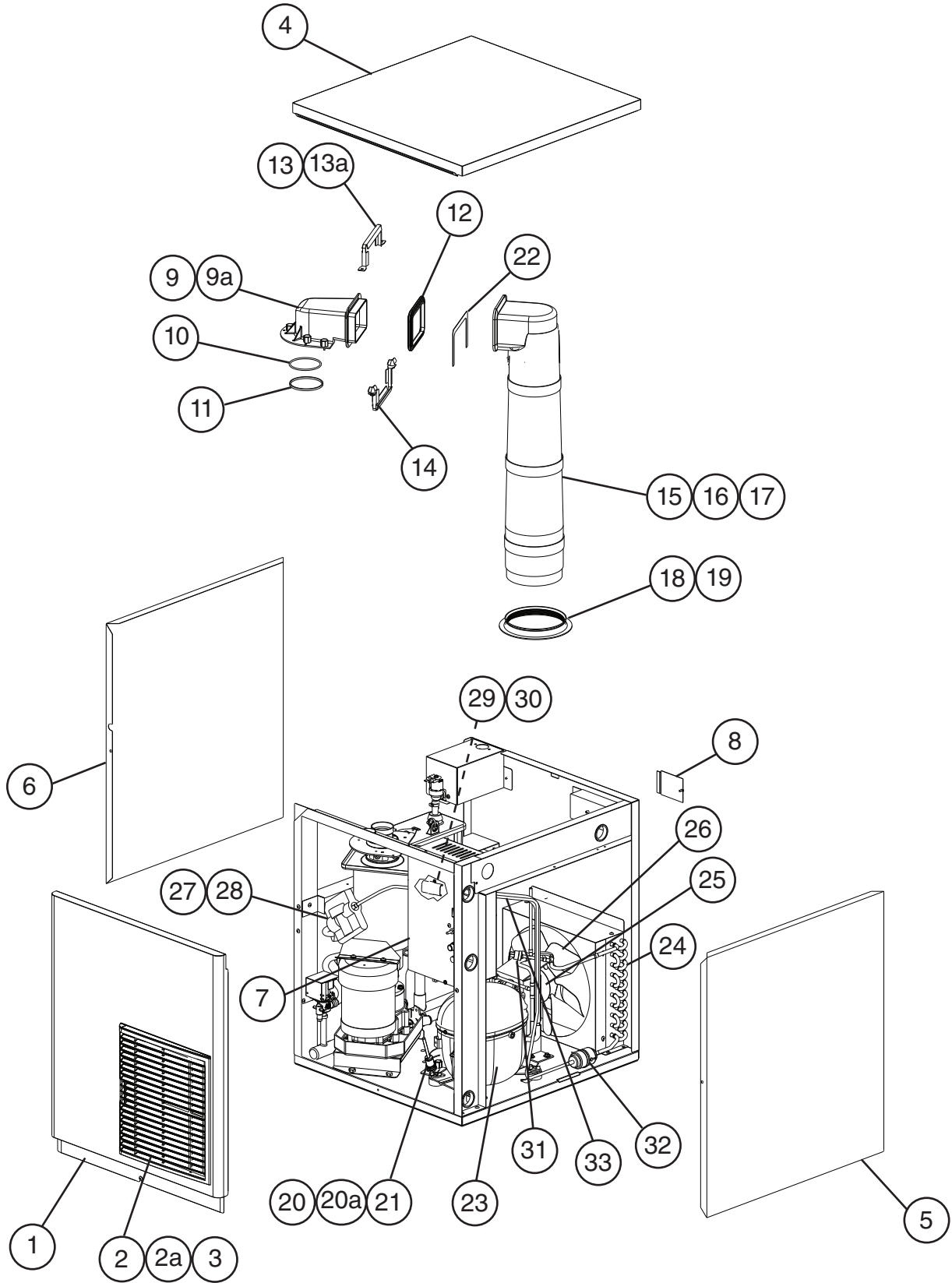
## **Auxiliary Code Breakdown**

The auxiliary code is the first two characters in the serial number. The first character indicates the year. Years progress or regress in alphabetical order. The series runs from "A" through "V" and the letters "I" and "O" are skipped. The second character indicates significant part changes within a year. Base is "0" and this number advances for each change. In cases where there is a letter in parentheses, this designates the month. This is the last character in the serial number. The series runs from "(A)" through "(M)" and the letter "(I)" is skipped. This designation is only included when identifying a parts change within an auxiliary code.

## **Note About Ordering Parts**

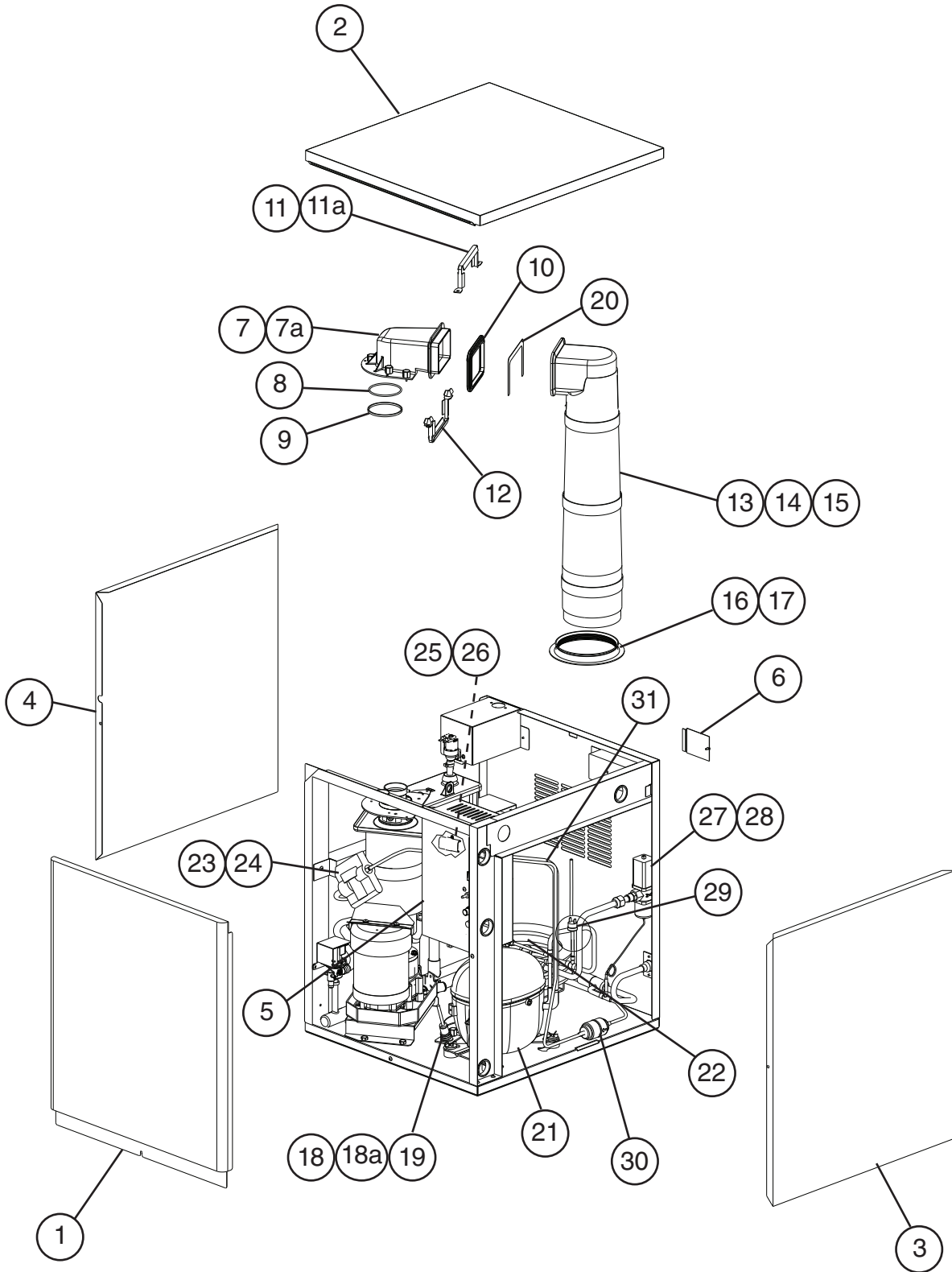
Most assemblies cannot be ordered as complete units; parts in the assemblies generally must be ordered separately.

**A. Main Assembly & Refrigeration Circuit**  
**FD-650MAH-C**  
 C-0 to H-0



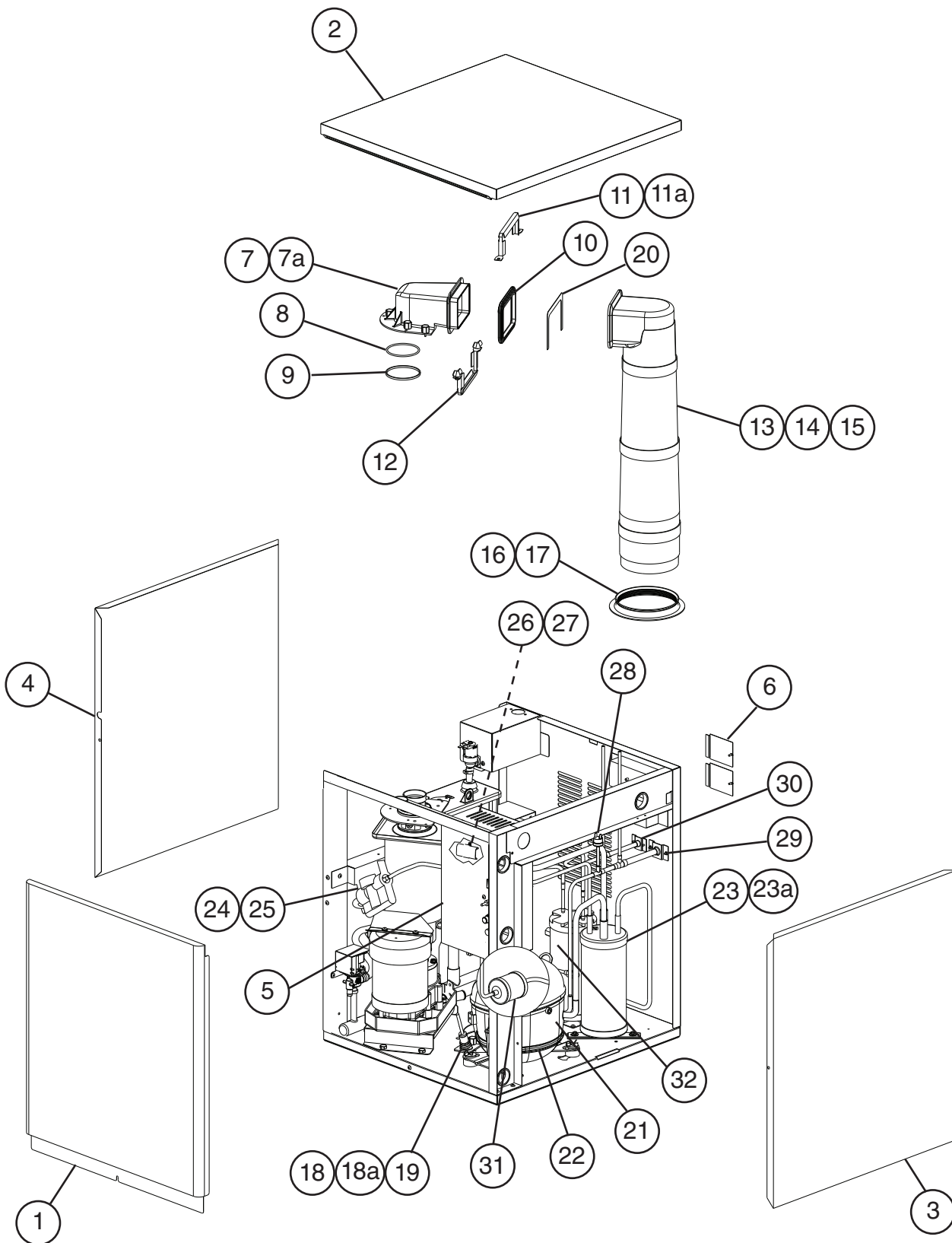
Title: A. Main Assembly & Refrigeration Circuit Model: FD-650MAH-C												
Index No.	Description	Material or Model Number	Part Number	Required Number								
				C-0 to G-0	G-1 H-0							
<b>Main Assembly</b>												
1	Front Panel		2A7086-01	1	1							
2	Louver		1A0547-01	1	1							
2a	Push Retainer		4A2414-01	3	3							
3	Air Filter		2A2062G01	1	1							
4	Top Panel		2A7090-01	1	1							
5	Right Side Panel		2A4432G01	1	1							
6	Left Side Panel		2A3897G01	1	1							
7	Control Box Cover		3A0411-01	1	1							
8	Junction Box Cover		433410-01	1	1							
9	Spout		104797-01	1	1							
9a	Thumbscrew		415949G12	5	5							
10	O-Ring		4A4755-03	1	1							
11	Nylon Ring		432661-02	1	1							
12	Spout-to-Chute Packing		321037-01	1	1							
13	Upper Spout Strap		328703-02	1	1							
13a	Wing Nut		7E12-0600	2	2							
14	Lower Spout Strap		321038G02	1	1							
15	Chute		2A1919-03	1	1							
16	Chute Insulation		2A1920-01	1	1							
17	Chute Tie		436531G01	3	-							
18	Chute Packing		432877-01	1	1							
19	Ring		3A1017-01	1	1							
20	Bin Control Housing (infrared sensor)		3A3478-01	1	1							
20a	Thumbscrew		415949G12	1	1							
21	Bin Control (infrared sensor)		4A4469-01	1	1							
22	Spout-to-Chute Bracket		4A1712-01	1	1							
<b>Refrigeration Circuit</b>												
23	Compressor		4A4479-01	1	1							
24	Condenser		2A7092-01	1	1							
25	Fan Motor		4A3158-01	1	1							
26	Fan Blade (includes set screw)		444898-01	1	1							
27	Thermostatic Expansion Valve		4A1117-01	1	1							
28	Thermostatic Expansion Valve Cover		4A1168-01	1	1							
29	Thermostatic Expansion Valve Bulb Holder		3A0112-01	1	1							
30	Clamp		443461-01	1	1							
31	High-Pressure Switch		463180-04	1	1							
32	Drier		4A1113-01	1	1							
33	Heat Exchanger		2A7045G01	1	1							

**A. Main Assembly & Refrigeration Circuit**  
**FD-650MWH-C**  
 C-0 to G-1



Title: A. Main Assembly & Refrigeration Circuit Model: FD-650MWH-C												
Index No.	Description	Material or Model Number	Part Number	Required Number								
				C-0 to G-0	G-1							
<b>Main Assembly</b>												
1	Front Panel		2A4601-01	1	1							
2	Top Panel		2A7090-01	1	1							
3	Right Side Panel		2A4432G01	1	1							
4	Left Side Panel		2A3897G01	1	1							
5	Control Box Cover		3A0411-01	1	1							
6	Junction Box Cover		433410-01	1	1							
7	Spout		104797-01	1	1							
7a	Thumbscrew		415949G12	5	5							
8	O-Ring		4A4755-03	1	1							
9	Nylon Ring		432661-02	1	1							
10	Spout-to-Chute Packing		321037-01	1	1							
11	Upper Strap		328703-02	1	1							
11a	Wing Nut		7E12-0600	2	2							
12	Lower Strap		321038G02	1	1							
13	Chute		2A1919-03	1	1							
14	Chute Insulation		2A1920-01	1	1							
15	Chute Tie		436531G01	3	-							
16	Chute Packing		432877-01	1	1							
17	Ring		3A1017-01	1	1							
18	Bin Control Housing (infrared sensor)		3A3478-01	1	1							
18a	Thumbscrew		415949G12	1	1							
19	Bin Control (infrared sensor)		4A4469-01	1	1							
20	Spout-to-Chute Bracket		4A1712-01	1	1							
<b>Refrigeration Circuit</b>												
21	Compressor		4A5090-01	1	1							
22	Condenser		3A7321-01	1	1							
23	Thermostatic Expansion Valve		4A1117-01	1	1							
24	Thermostatic Expansion Valve Cover		4A1168-01	1	1							
25	Thermostatic Expansion Valve Bulb Holder		3A0112-01	1	1							
26	Clamp		443461-01	1	1							
27	Water Regulating Valve		4A0911-06	1	1							
28	Male Connector		4A1087-01	1	1							
29	High-Pressure Switch		463180-05	1	1							
30	Drier		4A1113-01	1	1							
31	Heat Exchanger		2A7045G01	1	1							

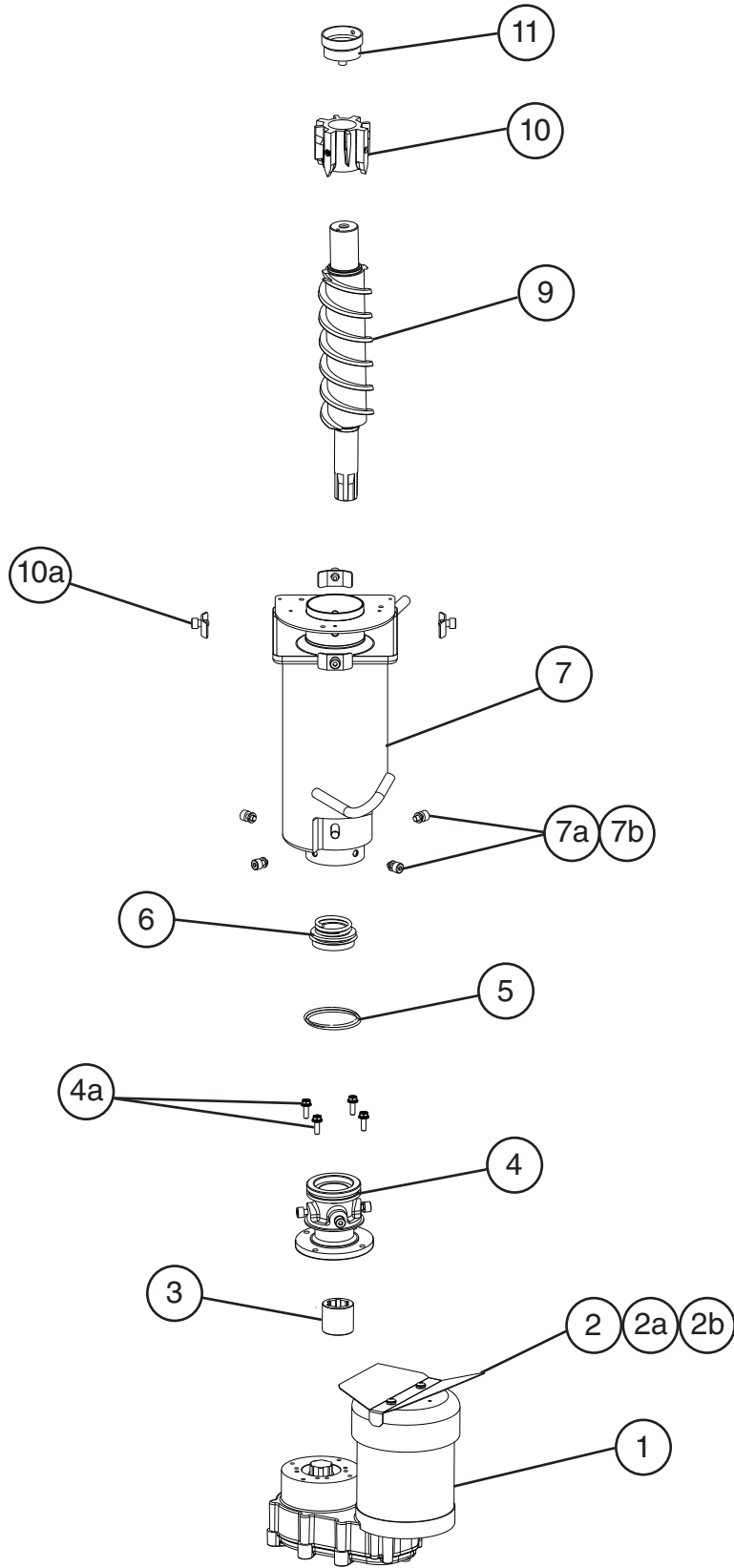
**A. Main Assembly & Refrigeration Circuit**  
**FD-650MRH-C**  
 C-0 to H-0



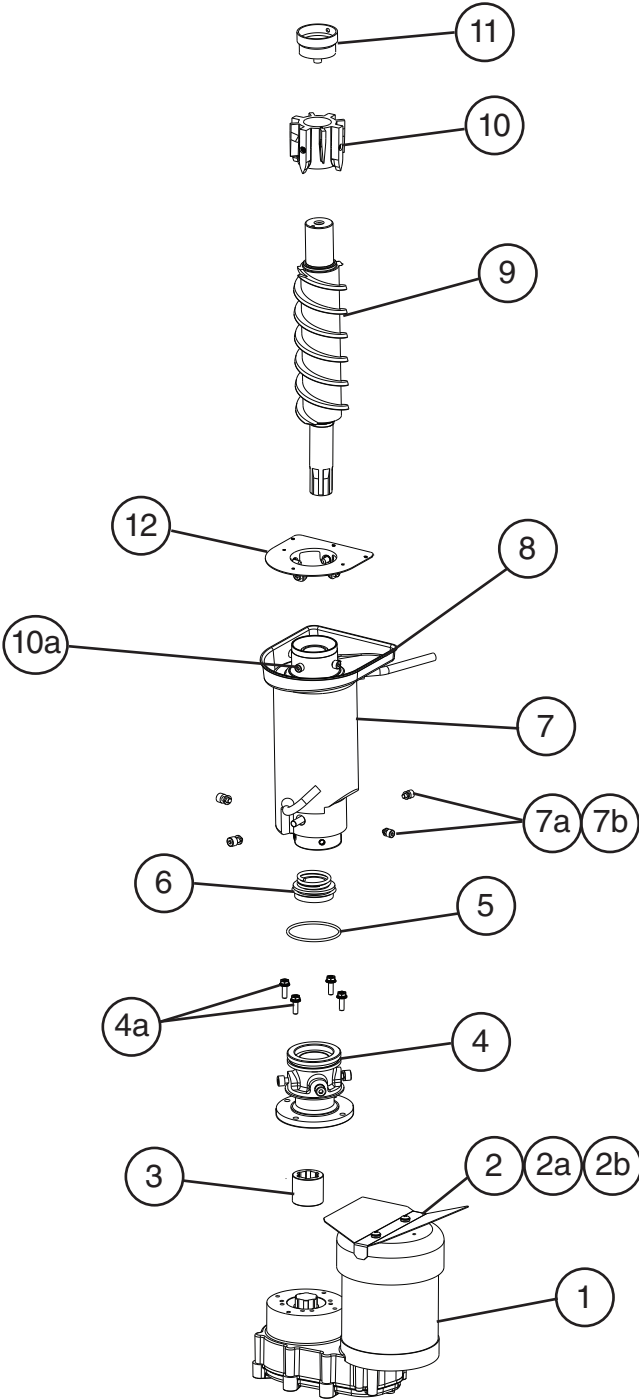


Title: A. Main Assembly & Refrigeration Circuit Model: FD-650MRH-C												
Index No.	Description	Material or Model Number	Part Number	Required Number								
				C-0 to G-0	G-1 H-0							
<b>Main Assembly</b>												
1	Front Panel		2A4601-01	1	1							
2	Top Panel		2A7090-01	1	1							
3	Right Side Panel		2A4432G01	1	1							
4	Left Side Panel		2A3897G01	1	1							
5	Control Box Cover		3A0411-01	1	1							
6	Junction Box Cover		433410-01	2	2							
7	Spout		104797-01	1	1							
7a	Thumbscrew		415949G12	5	5							
8	O-Ring		4A4755-03	1	1							
9	Nylon Ring		432661-02	1	1							
10	Spout-to-Chute Packing		321037-01	1	1							
11	Upper Spout Strap		328703-02	1	1							
11a	Wing Nut		7E12-0600	2	2							
12	Lower Spout Strap		321038G02	1	1							
13	Chute		2A1919-03	1	1							
14	Chute Insulation		2A1920-01	1	1							
15	Chute Tie		436531G01	3	-							
16	Chute Packing		432877-01	1	1							
17	Ring		3A1017-01	1	1							
18	Bin Control Housing (infrared sensor)		3A3478-01	1	1							
18a	Thumbscrew		415949G12	1	1							
19	Bin Control (infrared sensor)		4A4469-01	1	1							
20	Spout-to-Chute Bracket		4A1712-01	1	1							
<b>Refrigeration Circuit</b>												
21	Compressor		4A5090-01	1	1							
22	Crankcase Heater		4A5091-01	1	1							
23	Accumulator		3A6803-01	1	1							
23a	Bolts		7B0230512	2	2							
24	Thermostatic Expansion Valve		4A3493-01	1	1							
25	Thermostatic Expansion Valve Cover		4A1168-01	1	1							
26	Thermostatic Expansion Valve Bulb Holder		3A0112-01	1	1							
27	Clamp		443461-01	1	1							
28	High-Pressure Switch		463180-04	1	1							
29	Discharge Line Coupling		434132G01	1	1							
30	Liquid Line Coupling		433751G01	1	1							
31	Drier		4A1338-01	1	1							
32	Reciever		437596-01	1	1							

**B. Icemaking Unit**  
**FD-650M\_H-C**  
C-0 to D-1



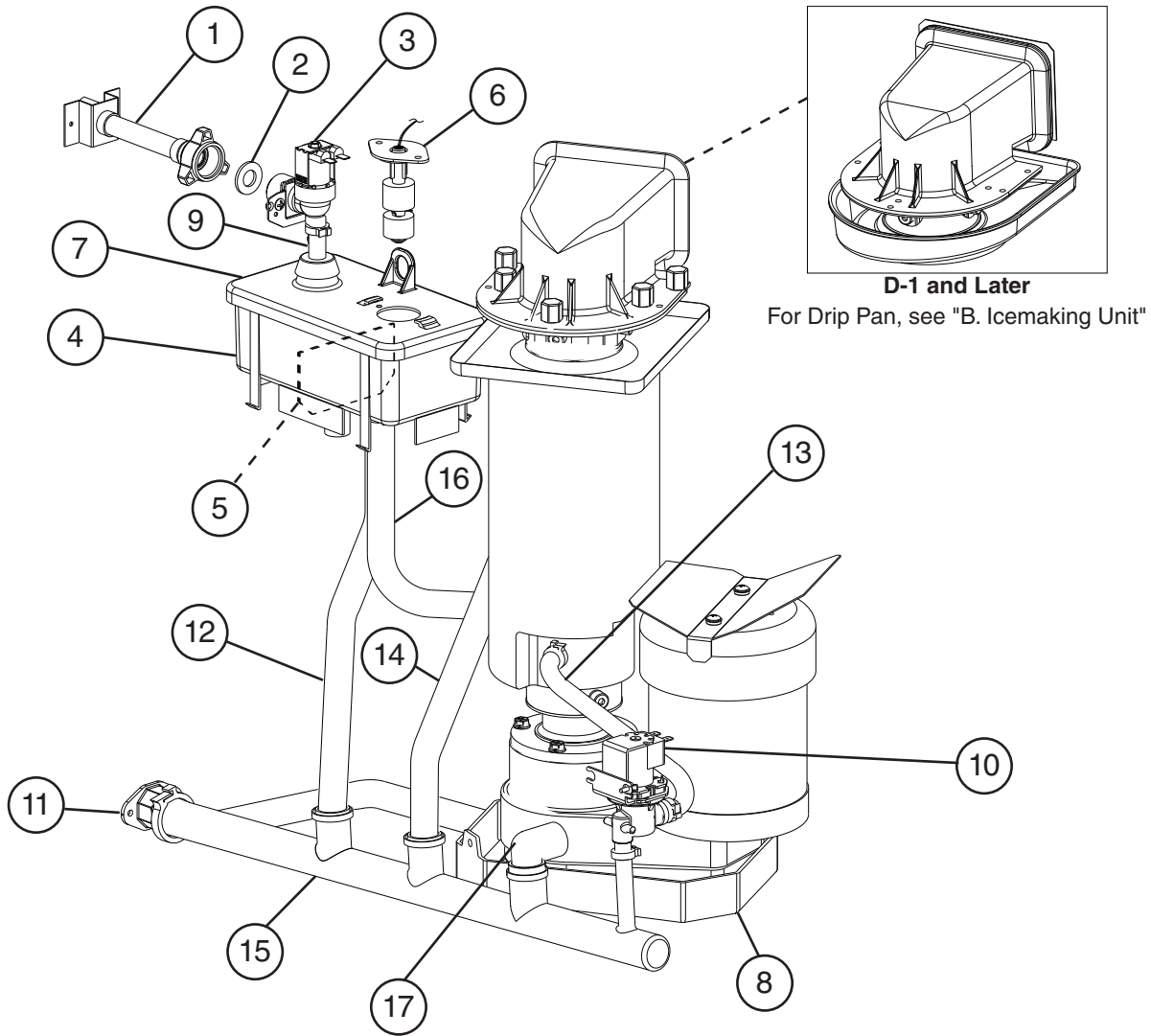
**B. Icemaking Unit**  
**FD-650M\_H-C**  
D-1 to H-0



**Title: B. Icemaking Unit    Model: FD-650M\_H-C**

Index No.	Description	Material or Model Number	Part Number	Required Number									
				C-0 to D-0	D-1 H-0								
1	Gear Motor		4A5650-01	1	1								
2	Gear Motor Cover		3A4584-01	1	1								
2a	Truss Head Screw		7C32-0508	2	2								
2b	Rubber Washer		4A5268-02	2	2								
3	Spline Coupling		4A3204-01	1	1								
4	Housing		2A0947G01	1	1								
4a	Hex Bolt	6x20	4A1989-01	4	4								
5	O-Ring		4A4755-02	1	1								
6	Mechanical Seal		432492-01	1	1								
7	Evaporator		2A3312G01	1	-								
			2A7209G01		1								
7a	Socket Head Cap Screw		7S12-0812	4	4								
7b	Split Lock Washer		7L22-0800	4	4								
8	Drip Pan		2A7187-01		1								
9	Auger		120863G02	1	1								
10	Extruding Head		3A2176G01	1	1								
10a	Seal Bolt		P01768-02	4	4								
11	Cutter		427183G01	1	1								
12	Flange		352713-01		1								

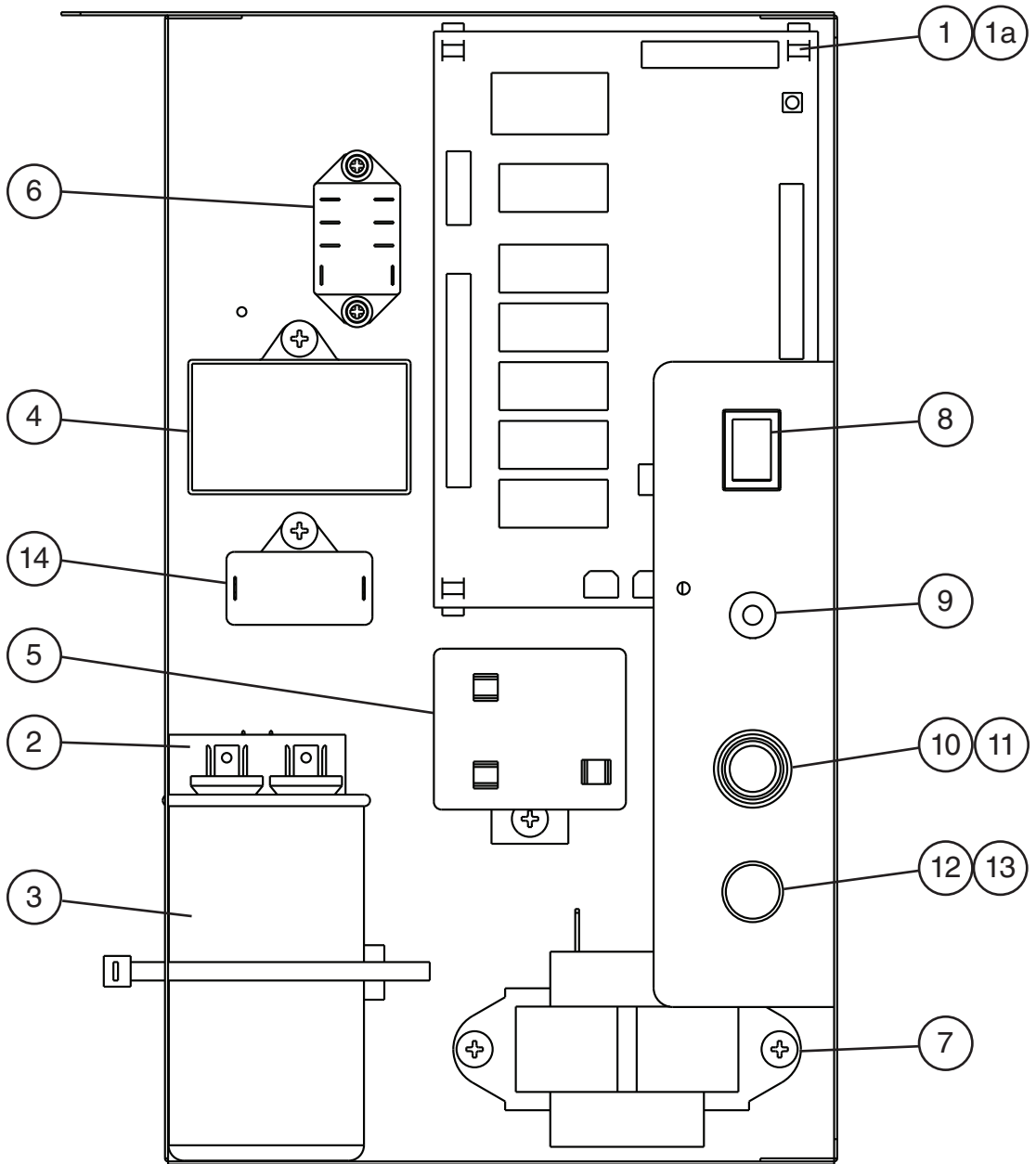
**C. Water Circuit**  
**FD-650M\_H-C**  
C-0 to H-0



**Title: C. Water Circuit Model: FD-650M\_H-C**

Index No.	Description	Material or Model Number	Part Number	Required Number									
				C-0 to D-0	D-1 H-0								
1	Water Supply Pipe		4A4026G02	1	1								
2	Rubber Gasket		413854-03	1	1								
3	Inlet Water Valve		4A5309-01	1	1								
4	Reservoir		2A0753-01	1	1								
5	Reservoir Separator		4A1255-01	1	1								
6	Float Switch		435490-01	1	1								
7	Reservoir Cover		214810-01	1	1								
8	Gear Motor Drain Pan		4A4354G01	1	1								
9	Reservoir Inlet Hose		4A0869-01	1	1								
10	Drain Valve		4A2772-02	1	1								
11	Drain Fitting		4A5528-01	1	1								
12	Overflow Hose (vinyl)	L=380 mm	7725-1923	1	1								
13	Evaporator Outlet Hose (silicone)	L=250 mm	773013896	1	1								
14	Drip Pan Hose (vinyl)	L=480 mm	7725-1923	1	-								
			4A0658L01		1								
15	Drain Hose		3A7748-01	1	-								
			3A8195-01		1								
16	Reservoir Outlet Hose		4A1165-06	1	1								
17	Elbow		4A5624-01	1	1								
<b>Hose Clamps</b>													
	Hose Clamp	33 mm	4A2017-03	1	1								
	Hose Clamp	18 mm	4A2017-05	1	1								
	Hose Clamp	20 mm	4A2017-06	1	1								
	Hose Clamp	14 mm	4A2017-08	4	4								

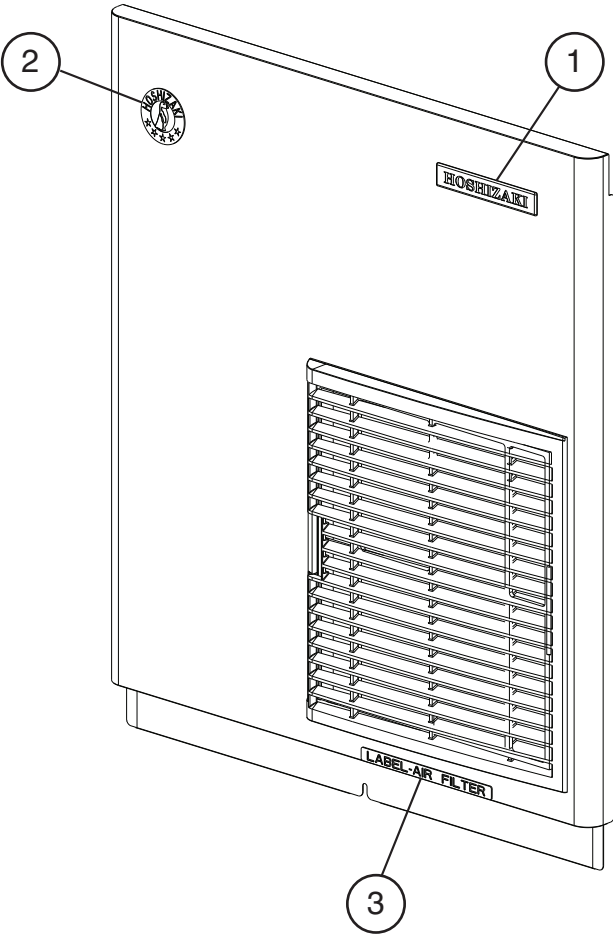
**D. Control Box Assembly**  
**FD-650M\_H-C**  
C-0 to H-0



Title: D. Control Box Assembly Model: FD-650M_H-C												
Index No.	Description	Material or Model Number	Part Number	Required Number								
				C-0 to G-1 (L)	G-1 (M) H-0							
1	Control Board		2A8054-01	1	1							
1a	Control Board Support		4A0336-03	4	4							
2	Start Capacitor	243-292MFD, 165VAC	3A0076-20	1	1							
3	Run Capacitor	35MFD, 440VAC	3A2005-12	1	1							
4	Gear Motor Capacitor	20MFD, 350VAC	4A4319-01	1	1							
5	Start Relay	<b>FD-650MAH-C</b>	4A1107-11	1	1							
		<b>FD-650MWH-C</b>	4A1107-18	1	1							
		<b>FD-650MRH-C</b>										
6	Compressor Control Relay	120VAC	406132-07	1	1							
7	Control Transformer		4A0557-01	1	1							
8	Control Switch		4A0558-01	1	1							
9	Power Switch		4A2332-01	1	1							
10	Fuse Holder (control)		4A5443-01	1	1							
11	Fuse (control)	AGC-1A, 250VAC	4A0893-01	1	1							
12	Fuse Holder (gear motor)		4A3449-02	1	-							
			4A6101-01		1							
13	Fuse (gear motor)	GMD-2A, 250VAC Slow Blow	4A0893-05	1	1							
14	Fan Motor Capacitor	<b>FD-650MAH-C</b> 5MFD, 250VAC	443192-02	1	1							



**E. Accessories & Labels**  
**FD-650M\_H-C**  
 C-0 to H-0



Title: E. Accessories & Labels		Model: FD-650M_H-C		Required Number							
Index No.	Description	Material or Model Number	Part Number	C-0 to D-0	D-1 H-0						
				1	Hoshizaki Emblem Label		4A0560-01	1	1		
2	Penguin Label		475552L02	1	1						
3	Air Filter Label	<b>FD-650MAH-C</b>	426177-01	1	-						
4	Universal Brace		4A0363-01	2	2						
4a	Hex Head Bolt	5x12, SS	7B02-0512	2	2						