



HOSHIZAKI

Parts List

Counter Showcase

Model

HNC-120BA-L(R)-S

HNC-150BA-L(R)-S

HNC-180BA-L(R)-S

HNC-210BA-L(R)-S



hoshizakiamerica.com

Number: S041-3268
Issued: 1-2017

Auxiliary Codes

HNC-120BA-L(R)-S	U-1	October 2009
HNC-150BA-L(R)-S	A-1	March 2011
HNC-180BA-L(R)-S	C-1	December 2013
HNC-210BA-L(R)-S	D-1	January 2014
	D-2	January 2014
	G-1	January 2017

AUXILIARY CODE

The auxiliary code is the first two characters in the serial number. The first character indicates the year. Years progress or regress in alphabetical order. The series runs from "A" through "V" and the letters "I" and "O" are skipped. The second character indicates significant part changes within a year. Base is "0" and this number advances for each change. In cases where there is a letter in parentheses, this designates the month. This is the last character in the serial number. The series runs from "(A)" through "(M)" and the letter "(I)" is skipped. This designation is only included when identifying a parts change within an auxiliary code.

Note About Ordering Parts

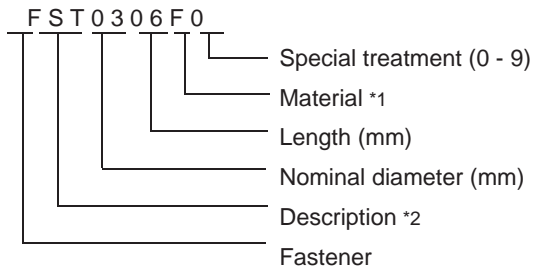
Most assemblies cannot be ordered as complete units; parts in the assemblies generally must be ordered separately.

MARKS LOCATED UNDER THE AUXILIARY CODE

- = Part deleted.
- x = Part deleted and replaced by "o" part.
- o = New part in place of "x" part.

FASTENER PART NUMBER

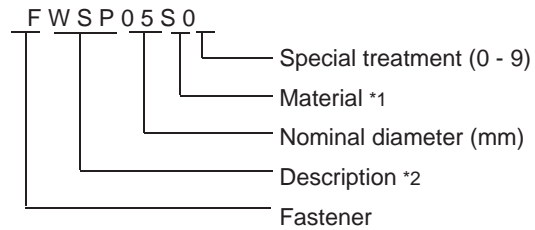
SCREWS



*1

- F: Steel
- S: Austenitic stainless steel
- M: Martensitic stainless steel
- B: Copper alloy
- P: Polycarbonate
- N: Polyamide
- V: PVC
- A: ABS
- X: Polyacetal
- L: Aluminum

NUTS & WASHERS



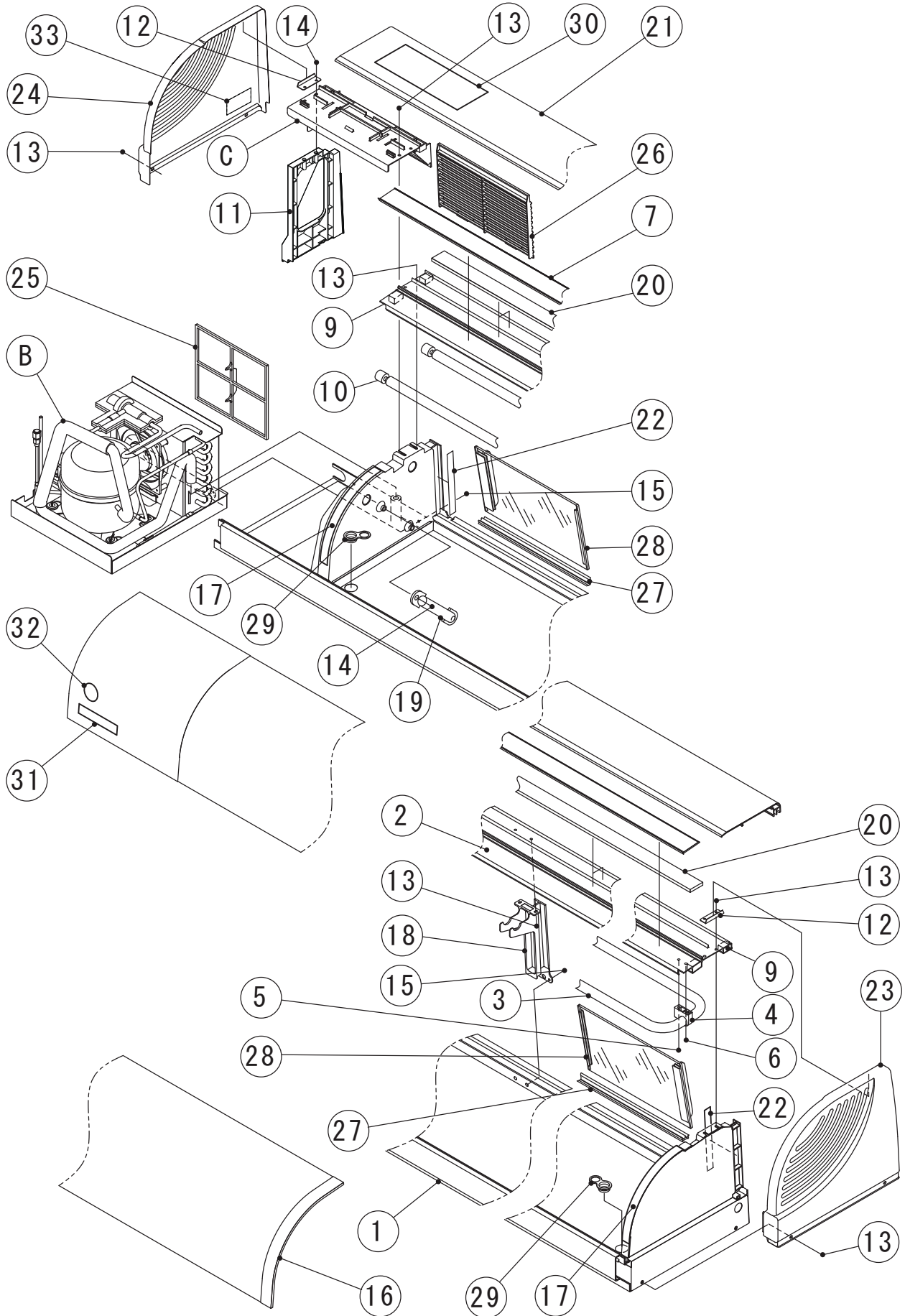
*2

- First letter
- S: Machine screw
- T: Tapping screw
- M: Wood screw
- B: Bolt
- W: Washer
- N: Nut

HNC-120BA-L(R)-S
HNC-150BA-L(R)-S
HNC-180BA-L(R)-S
HNC-210BA-L(R)-S

A. GENERAL AY

(U-1) and later



HA

MODEL: HNC-120BA-L(R)-S HNC-150BA-L(R)-S HNC-180BA-L(R)-S HNC-210BA-L(R)-S				TITLE: A.GENERAL AY				
INDEX NO.	DESCRIPTION	MATERIAL OR MODEL NUMBER	PART NUMBER	REQ'D NUMBER				
				U-1,A-0 A-1,B-0 C-0	C-1 D-1	D-2,E-0 F-0	G-1	
B	REFRIGERATION AY/L		1R2495A01	1	-	-	-	
			1R3586A01	-	1	1	-	
		(120)(150)	1R3586A02	-	-	-	1	
		(180)(210)	1R3586A03	-	-	-	1	
	REFRIGERATION AY/R			1R2491A01	1	-	-	-
				1R3587A01	-	1	1	-
		(120)(150)		1R3587A02	-	-	-	1
		(180)(210)		1R3587A03	-	-	-	1
C	ELB BRACKET AY (L)		2R4570A01	1	-	-	-	
			2R4570A02	-	1	1	-	
		(120)(150)	2X2924A01	-	-	-	1	
		(180)(210)	2X2924A02	-	-	-	1	
	ELB BRACKET AY (R)			2R4569A01	1	-	-	-
				2R4569A02	-	1	1	-
		(120)(150)		2X2925A01	-	-	-	1
		(180)(210)		2X2925A02	-	-	-	1
D	ACCESSORIES	(120)	A01996-01	1	1	1	1	
		(150)	A01991-01	1	1	1	1	
		(180)	A01987-01	1	1	1	1	
		(210)	A01983-01	1	1	1	1	
1	BASE AY/12L	(120BA-L)	1R2487G01	1	-	-	-	
			1R2487G02	-	1	1	1	
	BASE AY/12R	(120BA-R)	1R2483G01	1	-	-	-	
			1R2483G02	-	1	1	1	
	BASE AY/15L	(150BA-L)	1R2488G01	1	-	-	-	
			1R2488G02	-	1	1	1	
	BASE AY/15R	(150BA-R)	1R2484G01	1	-	-	-	
			1R2484G02	-	1	1	1	
	BASE AY/18L	(180BA-L)	1R2489G01	1	-	-	-	
			1R2489G02	-	1	1	1	

HA

MODEL: HNC-120BA-L(R)-S HNC-150BA-L(R)-S HNC-180BA-L(R)-S HNC-210BA-L(R)-S				TITLE: A.GENERAL AY			
INDEX NO.	DESCRIPTION	MATERIAL OR MODEL NUMBER	PART NUMBER	REQ'D NUMBER			
				U-1,A-0 A-1,B-0 C-0	C-1 D-1	D-2,E-0 F-0	G-1
1	BASE AY/18R	(180BA-R)	1R2485G01	1	-	-	-
			1R2485G02	-	1	1	1
	BASE AY/21L	(210BA-L)	1R2490G01	1	-	-	-
			1R2490G02	-	1	1	1
	BASE AY/21R	(210BA-R)	1R2486G01	1	-	-	-
			1R2486G02	-	1	1	1
2	TOP FRAME (L) - 12	(120BA-L)	2R4464M05	1	1	1	1
	TOP FRAME (R) - 12	(120BA-R)	2R4464M01	1	1	1	1
	TOP FRAME (L) - 15	(150BA-L)	2R4464M06	1	1	1	1
	TOP FRAME (R) - 15	(150BA-R)	2R4464M02	1	1	1	1
	TOP FRAME (L) - 18	(180BA-L)	2R4464M07	1	1	1	1
	TOP FRAME (R) - 18	(180BA-R)	2R4464M03	1	1	1	1
	TOP FRAME (L) - 21	(210BA-L)	2R4464M08	1	1	1	1
	TOP FRAME (R) - 21	(210BA-R)	2R4464M04	1	1	1	1
3	PIPE UP/EVAP12	(120)	3R5151G02	1	-	-	-
			P02942-02	-	1	1	1
	PIPE UP/EVAP15	(150)	3R5151G03	1	-	-	-
			P02942-03	-	1	1	1
	PIPE UP/EVAP18	(180)	3R5151G04	1	-	-	-
			P02942-04	-	1	1	1
PIPE UP/EVAP21	(210)	3R5151G05	1	-	-	-	
		P02942-05	-	1	1	1	
4	HOLDER ASSY		4R2804A01	1	1	1	1
5	TRUSS HEAD TAPPING SCREW T2		FT20430M0	1	1	1	1
6	TRUSS HEAD TAPPING SCREW T2		FT20410M0	1	1	1	1
7	TOP GASKET - 12	(120)	3S1630P01	1	1	1	1
	TOP GASKET - 15	(150)	3S1630P02	1	1	1	1
	TOP GASKET - 18	(180)	3S1630P03	1	1	1	1
	TOP GASKET - 21	(210)	3S1630P04	1	1	1	1
9	INSULATION - TOP FRAME		4R5131P01	4	4	4	4

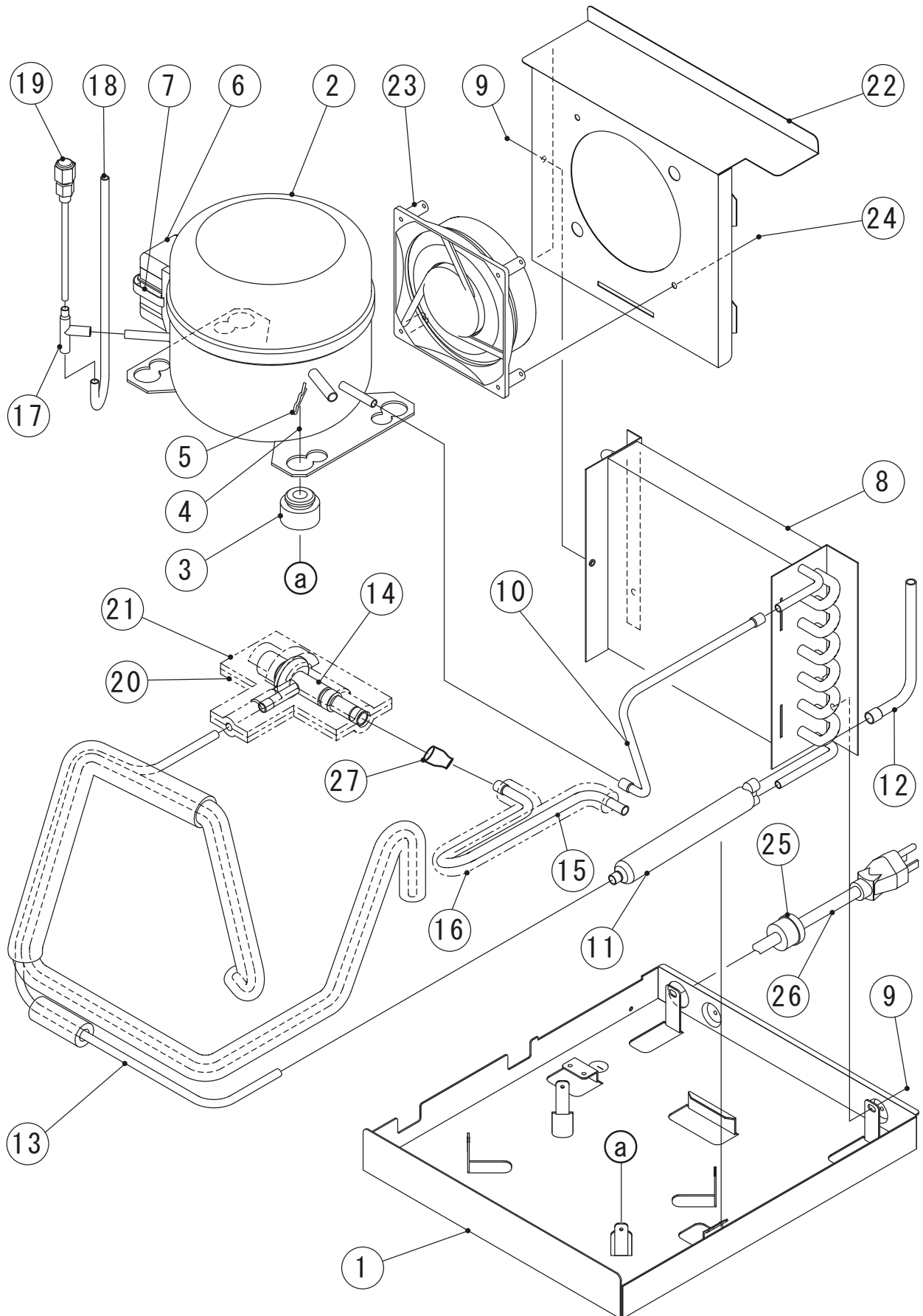
HA

MODEL: HNC-120BA-L(R)-S HNC-150BA-L(R)-S HNC-180BA-L(R)-S HNC-210BA-L(R)-S				TITLE: A.GENERAL AY			
INDEX NO.	DESCRIPTION	MATERIAL OR MODEL NUMBER	PART NUMBER	REQ'D NUMBER			
				U-1,A-0 A-1,B-0 C-0	C-1 D-1	D-2,E-0 F-0	G-1
10	SEAL A/EVAP		4R2368-01	2	-	-	-
	SEAL C/EVAP		4R2368Z04	-	2	2	2
11	SIDE FRAME (L)	(L)	2R4504P02	1	1	1	1
	SIDE FRAME (R)	(R)	2R4504P01	1	1	1	1
12	HOOK		4R5121M01	2	2	2	2
13	TRUSS HEAD TAPPING SCREW T2	(120)	FT20408M0	10	-	-	-
			FT20410M0	-	10	10	10
		(150,180,210)	FT20408M0	12	-	-	-
			FT20410M0	-	12	12	12
14	TRUSS HEAD TAPPING SCREW T1		FT10416M0	4	4	4	4
15	TAPPING SCREW-BLACK	(120)	433954-01	2	2	2	2
		(150,180,210)		4	4	4	4
16	FRONT GLASS - 12	(120)	P01641-02	1	1	1	1
	FRONT GLASS - 15	(150)	P01641-03	1	1	1	1
	FRONT GLASS - 18	(180)	P01641-04	1	1	1	1
	FRONT GLASS - 21	(210)	P01641-05	1	1	1	1
17	SOFT SEAL (A)		4R5133P01	2	2	2	2
18	CENTER FRAME AY	(150,180,210)	2R4566G01	1	1	1	1
19	THERMOMETER		461083-01	1	1	1	1
20	INSULATION (B)	(120)	4R5132P02	2	2	2	2
	INSULATION (C)	(150)	4R5132P03	2	2	2	2
	INSULATION (D)	(180)	4R5132P04	4	4	4	4
	INSULATION (E)	(210)	4R5132P05	4	4	4	4
21	SUS TOP COVER - 12	(120)	2R4597G01	1	1	1	1
	SUS TOP COVER - 15	(150)	2R4578G01	1	1	1	1
	SUS TOP COVER - 18	(180)	2R4587G01	1	1	1	1
	SUS TOP COVER - 21	(210)	2R4565G01	1	1	1	1
22	CUSHION-SIDE PANEL		4R5123R01	2	2	2	2

HNC-120BA-L(R)-S
HNC-150BA-L(R)-S
HNC-180BA-L(R)-S
HNC-210BA-L(R)-S

B. REFRIGERATION AY/L(R)

(U-1) and later



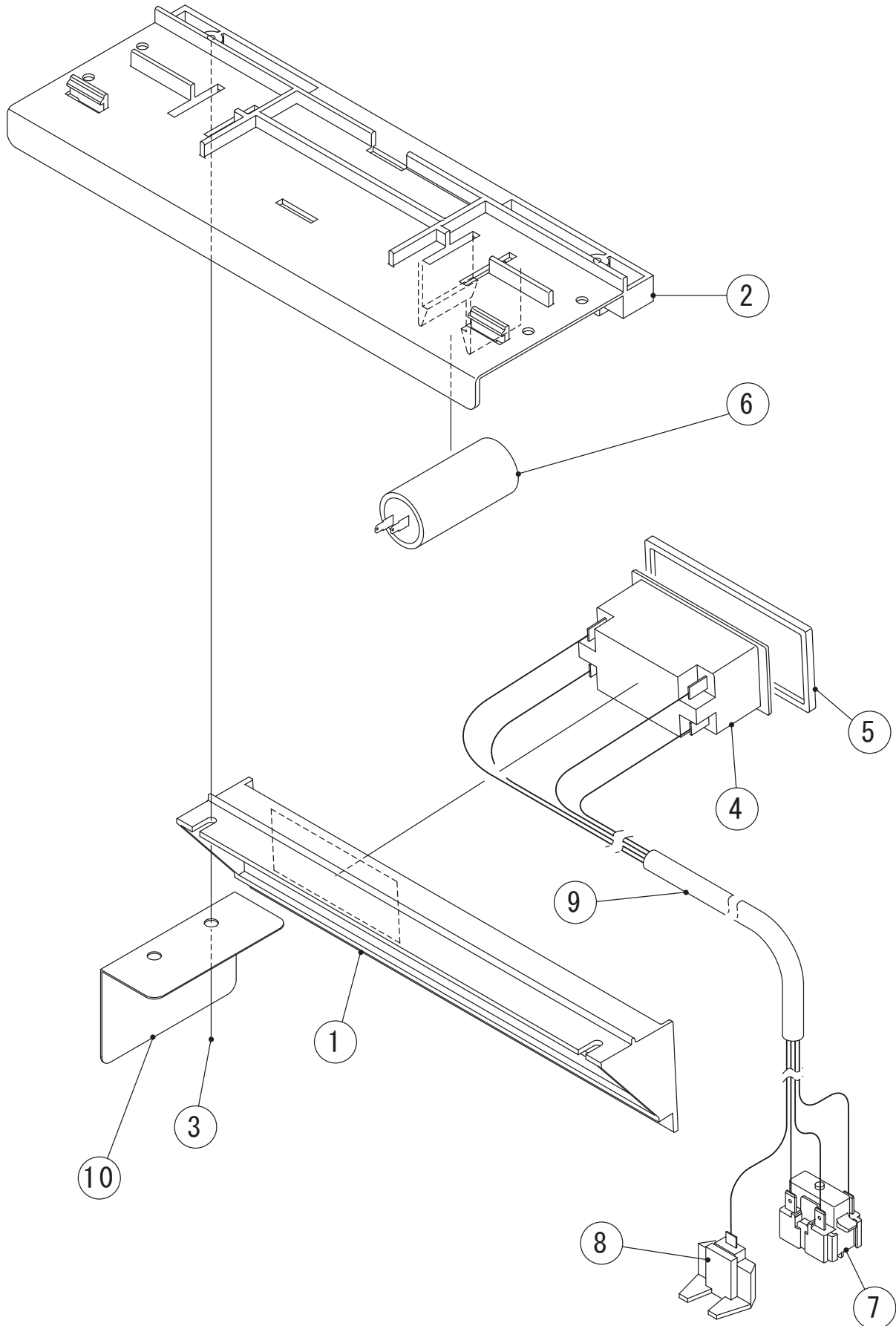
HA

MODEL: HNC-120BA-L(R)-S HNC-150BA-L(R)-S HNC-180BA-L(R)-S HNC-210BA-L(R)-S				TITLE: B.REFRIGERATION AY L(R)			
INDEX NO.	DESCRIPTION	MATERIAL OR MODEL NUMBER	PART NUMBER	REQ'D NUMBER			
				U-1,A-0 A-1,B-0 C-0	C-1 D-1	D-2,E-0 F-0	G-1
1	BASE/UNIT	(L)	2R4551M02	1	-	-	-
			2R6594M04	-	1	1	1
		(R)	2R4551M01	1	-	-	-
			2R6594M03	-	1	1	1
2	COMPRESSOR	CE56Y-1ZU	460658-01	1	-	-	-
		FL1152-PD	P03156-01	-	1	1	-
		(120)(150) FL0528 - PB	P04220-01	-	-	-	1
		(180)(210) FL0739 - PJ	P04221-01	-	-	-	1
3	RUBBER GROMMET		443695-01	4	-	-	-
			P02013-01	-	4	4	4
4	FLAT WASHER		FWPL10S0	2	2	2	2
5	SNAP PIN		715S-0010	2	2	2	2
6	TERMINAL COVER		434797-01	1	-	-	-
			451040-01	-	1	1	1
7	COVER BAND		434798-01	1	-	-	-
			451041-01	-	1	1	1
8	CONDENSER		P01558-01	1	1	1	1
9	TRUSS HEAD TAPPING SCREW (S-TITE)		FTS0408M0	3	4	4	4
10	COPPER TUBE A/HI L	(L)	3S1773M02	1	-	-	-
	COPPER TUBE A/HI		4R6329M01	-	1	1	1
	COPPER TUBE A/HI R	(R)	3S1773M01	1	-	-	-
	COPPER TUBE A/HI		4R6117M01	-	1	1	1
11	DRIER	DY-15QHD-9	458772-01	1	1	1	1
12	COPPER TUBE (K)		4R5252M02	1	1	1	1
13	HEAT EXCHANGER L	(L)	2R4572G01	1	-	-	-
			2R7137G01	-	1	1	1
	HEAT EXCHANGER R	(R)	2R4559G01	1	-	-	-
			2R7141G01	-	1	1	1
14	EXPANSION VALVE	HYP2-5QHD-5	447283-04	1	1	1	1

HNC-120BA-L(R)-S
HNC-150BA-L(R)-S
HNC-180BA-L(R)-S
HNC-210BA-L(R)-S

C. ELB BRACKET AY

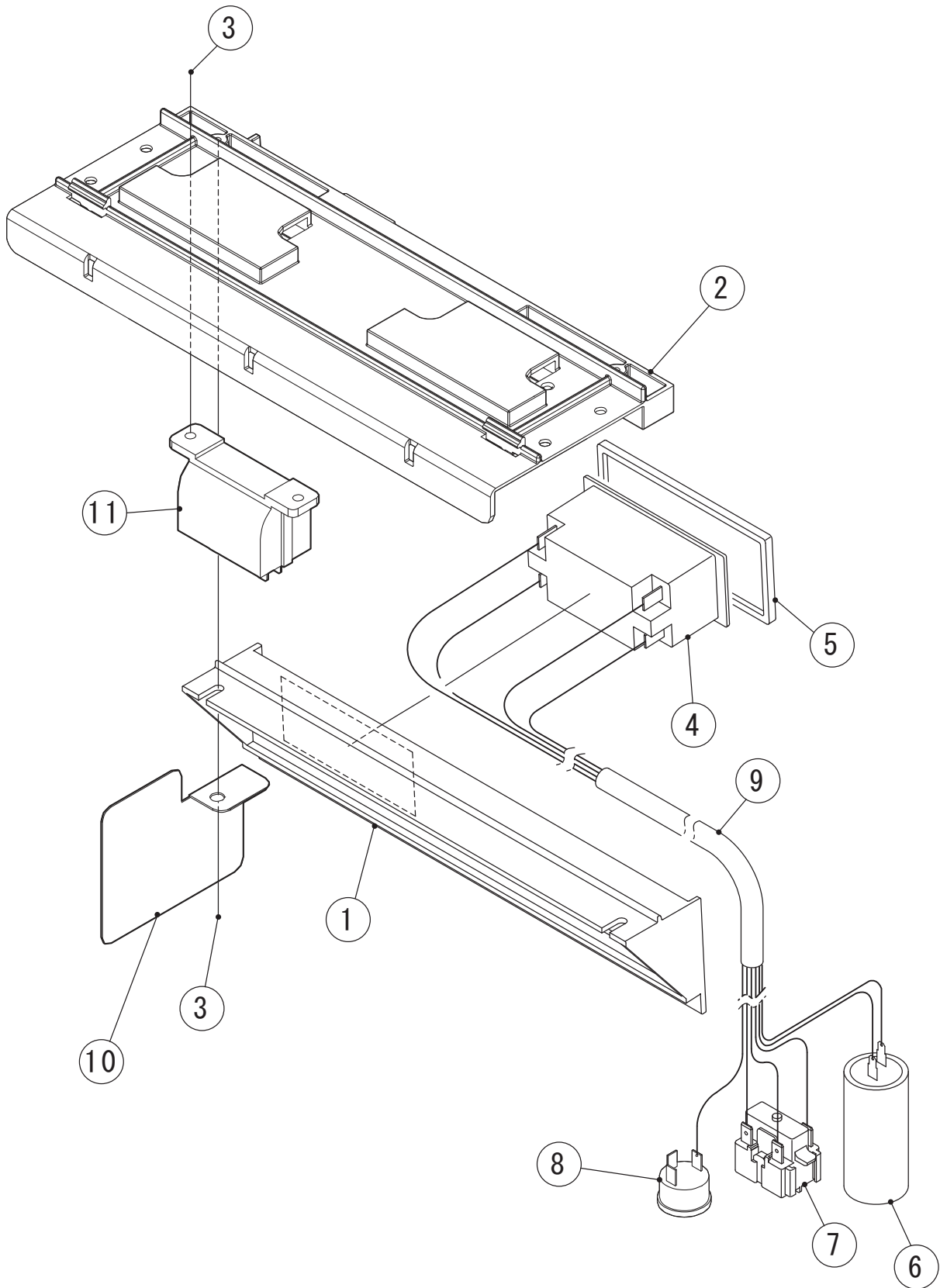
(U-1) to (C-0)



HNC-120BA-L(R)-S
HNC-150BA-L(R)-S
HNC-180BA-L(R)-S
HNC-210BA-L(R)-S

C. ELB BRACKET AY

(C-1) and later



HNC-120BA-L(R)-S
HNC-150BA-L(R)-S
HNC-180BA-L(R)-S
HNC-210BA-L(R)-S

D. ACCESSORIES

(U-1) and later

