



HOSHIZAKI

Parts List

Undercounter Refrigerator

Model

HR24A



hoshizakiamerica.com

Number: 71338
Issued: 12-7-2011
Revised: 12-15-2016

CONTENTS

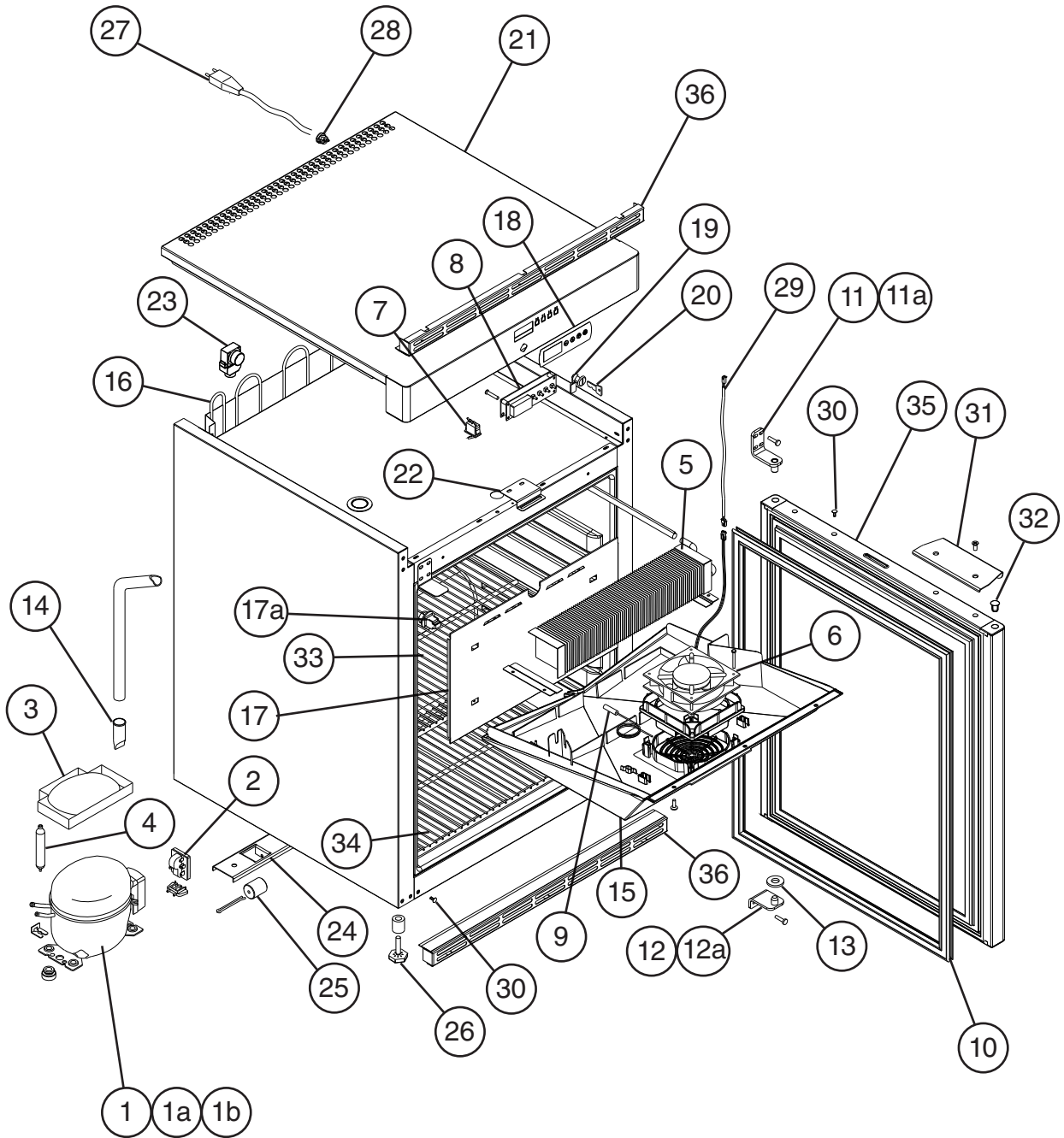
Production Date Code.....	2
A. Main Assembly	3

Production Date Code

The production date code is expressed as WWYY (week and year). For example, a production code of "2511" indicates a unit was produced in the 25th week of 2011.

Production date codes in the table indicate initial production and production dates where changes were implemented.

A. Main Assembly HR24A



Title: A. Main Assembly Model: HR24A

Index No.	Description	Material or Model Number	Part Number	Required Number										
				3711	2613									
1	Compressor		500550008	1	1									
1a	Rubber Bushing		760080519	4	4									
1b	Compressor Clip		760082367	2	2									
2	Start Relay		453050176	1	1									
3	Condensate Pan		410820001	1	1									
4	Drier		761221321	1	1									
5	Evaporator		765080204	1	1									
6	Evaporator Fan		765071196	1	1									
7	Door Switch		765070895	1	1									
8	Control Board		453580504	1	1									
9	Cabinet Thermistor		453531507	1	1									
10	Door Gasket		761222708	1	1									
11	Upper Hinge		761222790	1	1									
11a	Screw		422700300	2	2									
12	Lower Hinge		761222792	1	1									
12a	Screw		422700300	2	2									
13	Thrust Washer		760250524	1	1									
14	Drain Boot		760082891	1	1									
15	Evaporator Fan Shroud		761223100	1	1									
16	Condenser		761222775	1	1									
17	Rear Duct Panel		761222999	1	1									
17a	Duct Stand Off		765081214	4	4									
18	Display Label		761221746	1	1									
19	Door Lock		765080093	1	1									
20	Key		761220166	1	1									
21	Top Panel		761222629	1	1									
22	Lock Bracket		761222766	1	1									
23	Air Relief Valve		765081206	1	1									
24	Roller Bracket		761223052	1	1									
25	Roller		765081218	2	2									
26	Leg	M8x40	761223055	2	2									
27	Power Cord		765072633	1	1									
28	Power Cord Relief		452210002	1	1									
29	Evaporator Fan Wire Harness		765072696	1	1									
30	Hole Plug		765080501	6	6									
31	Door Handle		761222980	1	1									
32	Hole Plug		762110281	1	1									
33	Large Wire Shelf	Gray	818721020	1	1									
34	Small Wire Shelf	Gray	818721021	2	2									
35	Door		761222652	1	1									
36	Toe Kick/Top Trim		761222769	2	2									