



HOSHIZAKI

Parts List

Undercounter Refrigerator

Model
HR24B



hoshizakiamerica.com

Number: 71419
Issued: 6-13-2018

CONTENTS

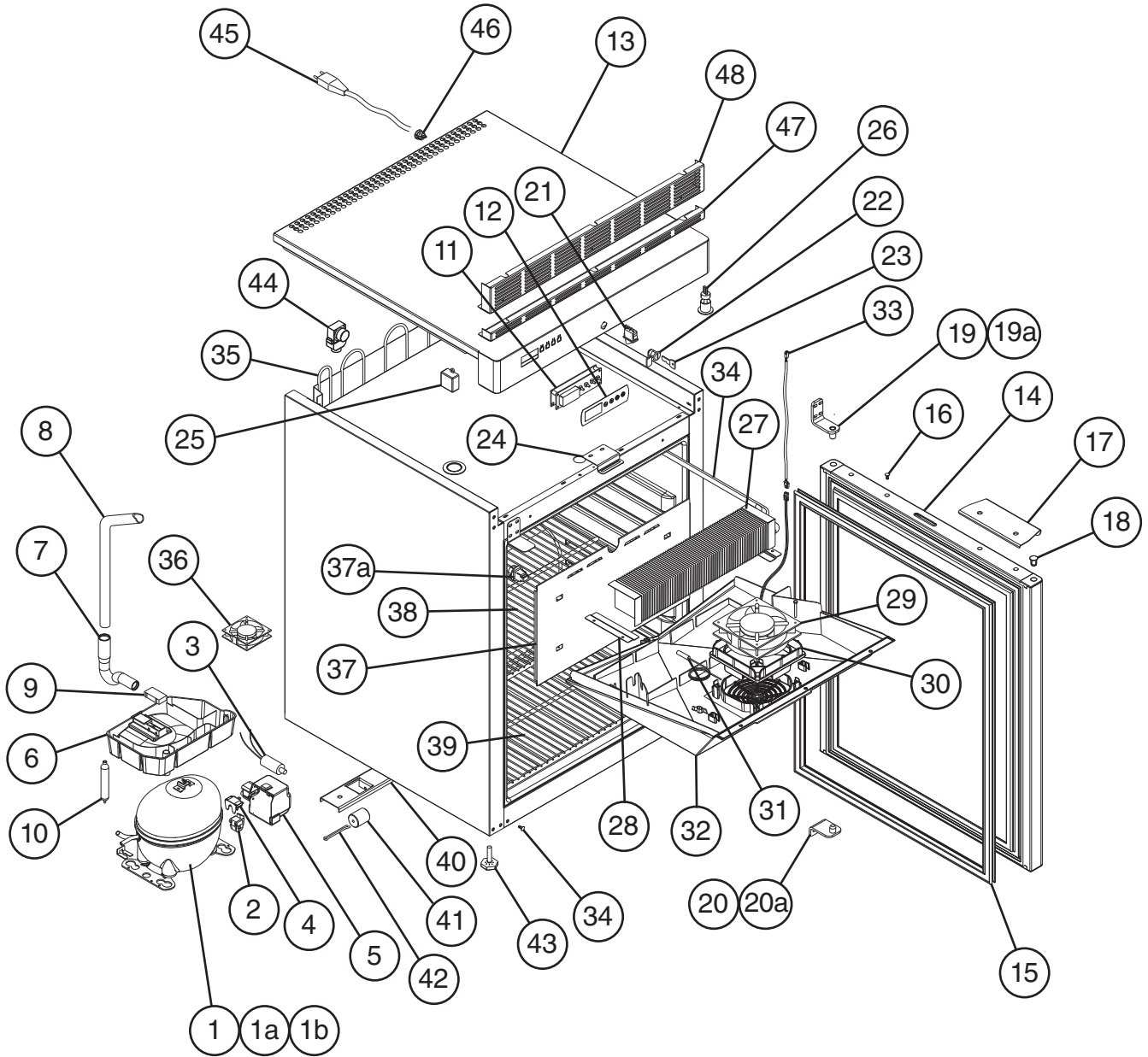
Production Date Code.....	2
A. Main Assembly	3

Production Date Code

The production date code is expressed as WWYY (week and year). For example, a production code of "2511" indicates a unit was produced in the 25th week of 2011.

Production date codes in the table indicate initial production and production dates where changes were implemented.

A. Main Assembly HR24B



Title: A. Main Assembly Model: HR24B

Index No.	Description	Material or Model Number	Part Number	Required Number																	
				4517																	
1	Compressor		506001000	1																	
1a	Rubber Bushing		760080519	4																	
1b	Compressor Clip		760082367	2																	
2	Start Relay		410588000	1																	
3	Run Capacitor		451723550	1																	
4	External Protector		500701500	1																	
5	Relay Cover		452440050	1																	
6	Condensate Pan		410820014	1																	
7	Water Trap (P-Trap)		765081176	1																	
8	Drain Pipe		761221755	1																	
9	Condensate Pan Plug		410820015	1																	
10	Drier		761221321	1																	
11	Control Board		453580507	1																	
12	Display Label		761221746	1																	
13	Top Panel		761222650	1																	
14	Door		761222652	1																	
15	Door Gasket		761222708	1																	
16	Hole Plug (Small)		765080501	6																	
17	Door Handle		761222980	1																	
18	Hole Plug (Large)		762110281	1																	
19	Upper Hinge		761222790	1																	
19a	Screw		422700300	2																	
20	Lower Hinge		761222792	1																	
20a	Screw		422700300	2																	
21	Door Switch		765072852	1																	
22	Door Lock		765080093	1																	
23	Key		761220166	1																	
24	Lock Bracket		761222766	1																	
25	Light Trafo		765072843	1																	
26	LED Light		450742018	1																	
27	Evaporator		765080411	1																	
28	Evaporator Bracket		761223070	1																	
29	Evaporator Fan		765071196	1																	
30	Rubber Gasket		761223110	1																	
31	Cabinet Thermistor		453531507	1																	
32	Evaporator Fan Shroud		761223100	1																	
33	Evaporator Fan Wire Harness		765072696	1																	
34	Heat Exchanger		761221421	1																	
35	Condenser		761223010	1																	
36	Condenser Fan Motor		765072864	1																	
37	Rear Duct Panel		761223002	1																	
37a	Duct Stand Off		765081214	4																	
38	Large Wire Shelf	Gray	818721020	1																	
39	Small Wire Shelf	Gray	818721021	2																	
40	Roller Bracket		761223071	1																	
41	Roller		765081256	2																	
42	Pin		421931243	1																	
43	Leg	M8x40	761223055	2																	
44	Air Relief Valve		765081206	1																	

Title: A. Main Assembly Model: HR24B												
Index No.	Description	Material or Model Number	Part Number	Required Number								
				4517								
45	Power Cord		765072881	1								
46	Power Cord Relief		452210002	1								
47	Toe Kick	20 mm	761222864	1								
48	Top Trim	63.5 mm	761222869	1								