

# Hoshizaki America, Inc.

Self-Contained Cuber

Model  
IM-200BAA



“A Superior Degree  
of Reliability”

[www.hoshizaki.com](http://www.hoshizaki.com)

## SERVICE MANUAL



Number: M063-972  
Issued: 10-31-2015

## **IMPORTANT**

Only qualified service technicians should install and service the appliance. To obtain the name and phone number of your local Hoshizaki Certified Service Representative, visit [www.hoshizaki.com](http://www.hoshizaki.com). No service should be undertaken until the technician has thoroughly read this Service Manual. Failure to service and maintain the appliance in accordance with this manual will adversely affect safety, performance, component life, and warranty coverage and may result in costly water damage. Proper installation is the responsibility of the installer. Product failure or property damage due to improper installation is not covered under warranty.

Hoshizaki provides this manual primarily to assist qualified service technicians in the service of the appliance.

Should the reader have any questions or concerns which have not been satisfactorily addressed, please call, send an e-mail message, or write to the Hoshizaki Technical Support Department for assistance.

Phone: 1-800-233-1940; (770) 487-2331

Fax: 1-800-843-1056; (770) 487-3360

E-mail: [techsupport@hoshizaki.com](mailto:techsupport@hoshizaki.com)

HOSHIZAKI AMERICA, INC.

618 Highway 74 South

Peachtree City, GA 30269

Attn: Hoshizaki Technical Support Department

NOTE: To expedite assistance, all correspondence/communication MUST include the following information:

- Model Number \_\_\_\_\_
- Serial Number \_\_\_\_\_
- Complete and detailed explanation of the problem.

## ***IMPORTANT***

This manual should be read carefully before the appliance is serviced. Read the warnings and guidelines contained in this manual carefully as they provide essential information for the continued safe use, service, and maintenance of the appliance. Retain this manual for any further reference that may be necessary.

## **CONTENTS**

Important Safety Information .....	4
I. Construction and Water/Refrigeration Circuit Diagram .....	6
A. Construction.....	6
B. Water/Refrigeration Circuit Diagram .....	8
II. Sequence of Operation and Service Diagnosis.....	9
A. Sequence of Operation Flow Chart .....	9
B. Sequence of Operation.....	10
1. Startup Cycle.....	10
2. Harvest Cycle .....	10
3. Freeze Cycle .....	10
4. Shutdown .....	11
C. Service Diagnosis Table .....	12
D. Bin Control Check and Cleaning .....	15
1. Bin Control Check .....	15
2. Bin Control Cleaning .....	16
E. Evaporator Thermistor Check.....	17
III. Controls and Adjustments.....	18
A. Control Switch.....	18
B. Control Board.....	18
1. Control Board Layout .....	19
C. Control Buttons.....	20
D. Control Board Settings .....	21
E. Control Board Information Display.....	25
F. Control Board Model Code Setting.....	26
1. Control Board Replacement.....	26
2. Checking or Changing the Control Board Model Code .....	27
G. Error Codes .....	27
H. Quick Adjustments.....	29
1. Dimple Diameter.....	29
2. Ice Clarity .....	29
IV. Refrigeration Circuit and Component Service Information .....	31
A. Refrigeration Circuit Service Information .....	31
B. Component Service Information .....	33
V. Maintenance.....	34
VI. Preparing the Appliance for Periods of Non-Use .....	35
VII. Disposal .....	36
VIII. Technical Information .....	37
A. Specification Data.....	37
B. Performance Data.....	38
C. Wiring Diagram.....	39

## Important Safety Information

Throughout this manual, notices appear to bring your attention to situations which could result in death, serious injury, damage to the appliance, or damage to property.

**⚠ WARNING** Indicates a hazardous situation which could result in death or serious injury.

**NOTICE** Indicates a situation which could result in damage to the appliance or property.

**IMPORTANT** Indicates important information about the installation, use, and care of the appliance.

### ⚠ WARNING

The appliance should be destined only to the use for which it has been expressly conceived. Any other use should be considered improper and therefore dangerous. The manufacturer cannot be held responsible for injury or damage resulting from improper, incorrect, and unreasonable use. Failure to service and maintain the appliance in accordance with this manual will adversely affect safety, performance, component life, and warranty coverage and may result in costly water damage.

**To reduce the risk of death, electric shock, serious injury, or fire, follow basic precautions including the following:**

- Only qualified service technicians should install and service the appliance.
- The appliance must be installed in accordance with applicable national, state, and local codes and regulations.
- The appliance requires an independent power supply of proper capacity. See the nameplate for electrical specifications. Failure to use an independent power supply of proper capacity can result in a tripped breaker, blown fuse, damage to existing wiring, or component failure. This could lead to heat generation or fire.
- **THE APPLIANCE MUST BE GROUNDED:** The appliance is equipped with a NEMA 5-15 three-prong grounding plug to reduce the risk of potential shock hazards. It must be plugged into a properly grounded, independent 3-prong wall outlet. If the outlet is a 2-prong outlet, it is your personal responsibility to have a qualified electrician replace it with a properly grounded, independent 3-prong wall outlet. Do not remove the ground prong from the plug and do not use an adapter plug. Failure to properly ground the appliance could result in death or serious injury.
- Do not use an extension cord.
- To reduce the risk of electric shock, do not touch the control switch or plug with damp hands. Make sure the control switch is in the "OFF" position before plugging in or unplugging the appliance.
- Do not use an appliance with a damaged power cord. The power cord should not be altered, jerked, bundled, weighed down, pinched, or tangled. Such actions could result in electric shock or fire. To unplug the appliance, be sure to pull the plug, not the cord, and do not jerk the cord.
- Do not make any alterations to the appliance. Alterations could result in electric shock, injury, fire, or damage to the appliance.

**⚠ WARNING, continued**

- The appliance is not intended for use by persons (including children) with reduced physical, sensory, or mental capabilities, or lack of experience and knowledge, unless they have been given supervision or instruction concerning use of the appliance by a person responsible for their safety.
- Young children should be properly supervised around the appliance.
- Do not climb, stand, or hang on the appliance or appliance door or allow children or animals to do so. Serious injury could occur or the appliance could be damaged.
- Be careful not to pinch fingers when opening and closing the door. Be careful when opening and closing the door when children are in the area.
- Do not use combustible spray or place volatile or flammable substances near the appliance. They might catch fire.
- Keep the area around the appliance clean. Dirt, dust, or insects in the appliance could cause harm to individuals or damage to the appliance.

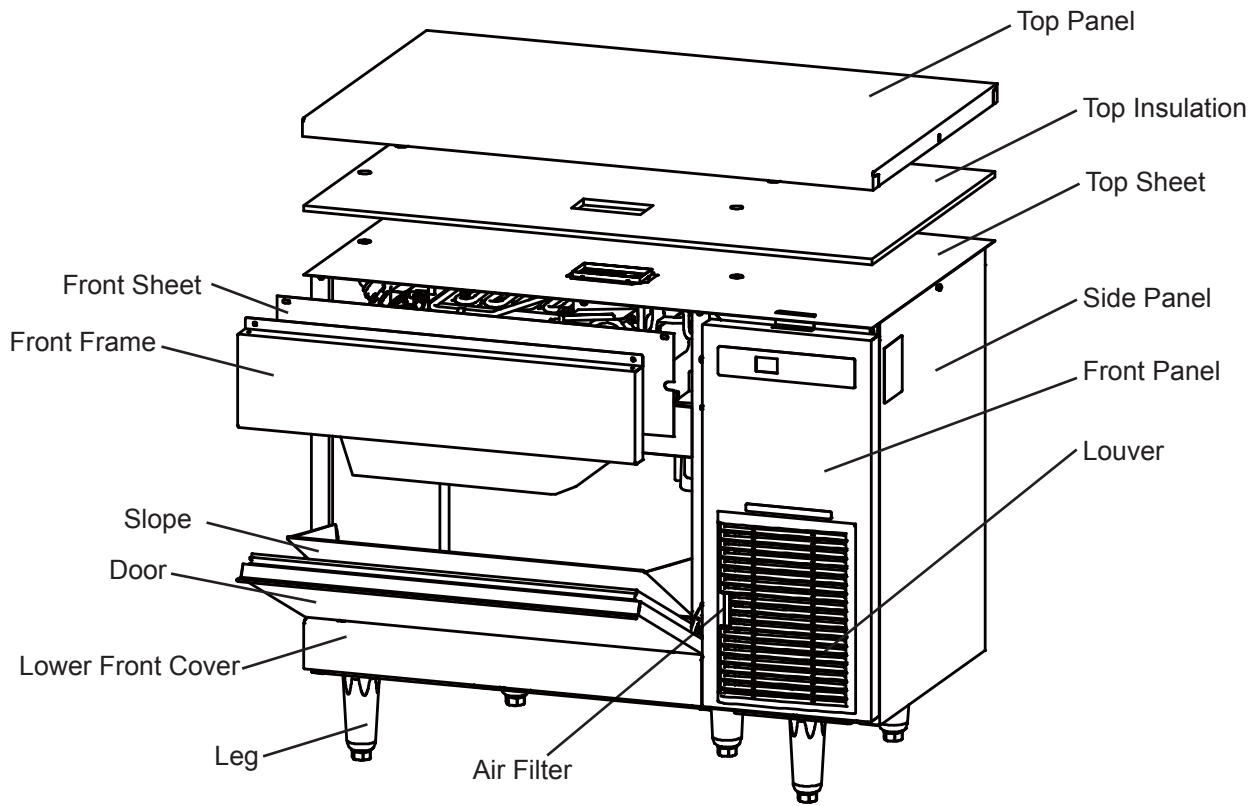
***NOTICE***

- Protect the floor when moving the appliance to prevent damage to the floor.
- Follow the water supply, drain connection, and maintenance instructions carefully to reduce the risk of costly water damage.
- In areas where water damage is a concern, install in a contained area with a floor drain.
- Install the appliance in a location that stays above freezing. Normal operating ambient temperature must be within 45°F to 100°F (7°C to 38°C).
- If water collects in the bin and will not drain, turn off the appliance and close the water supply line shut-off valve. Locate and resolve the issue.
- Do not leave the appliance on during extended periods of non-use, extended absences, or in sub-freezing temperatures. To properly prepare the appliance for these occasions, follow the instructions in "VI. Preparing the Appliance for Periods of Non-Use."
- Keep ventilation openings, in the appliance enclosure or in the built-in structure, clear of obstruction.
- Do not place more than 33 lb. (15 kg) on the top panel.
- The storage bin is for ice use only. Do not store anything else in the storage bin.

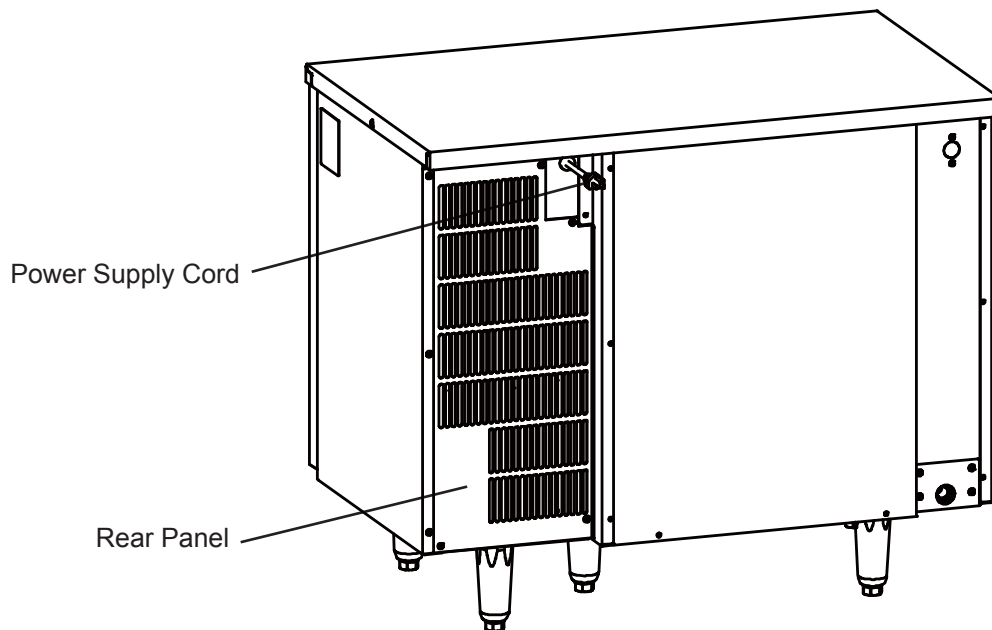
# I. Construction and Water/Refrigeration Circuit Diagram

## A. Construction

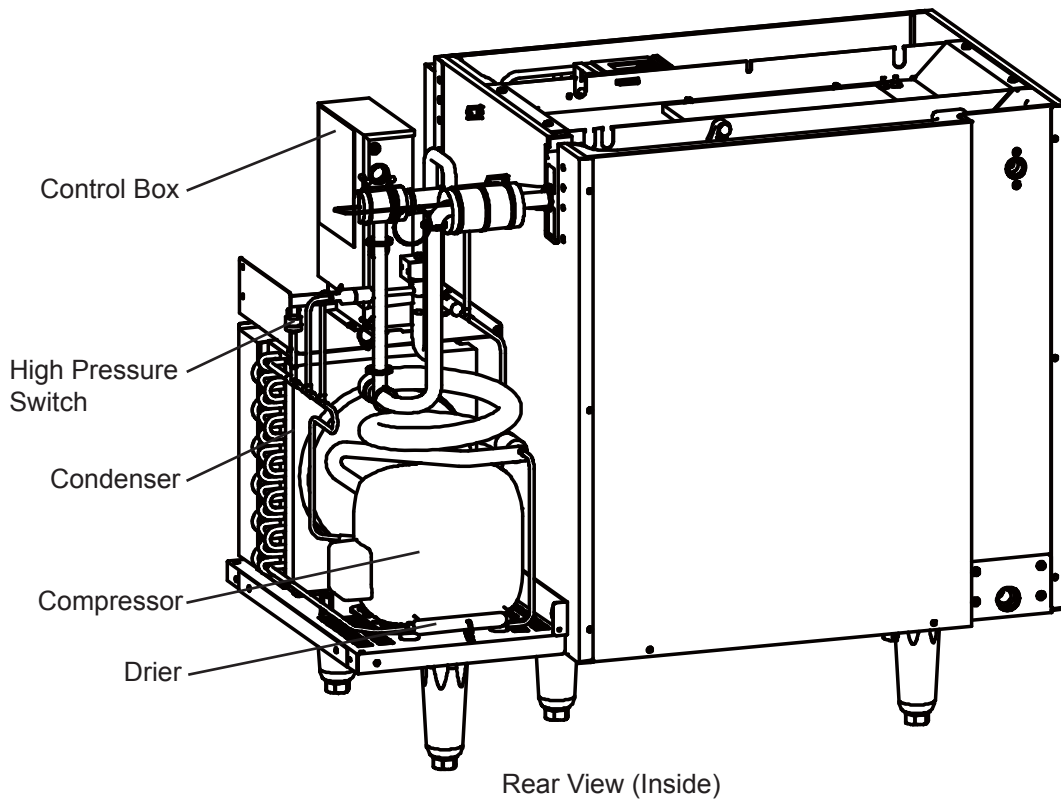
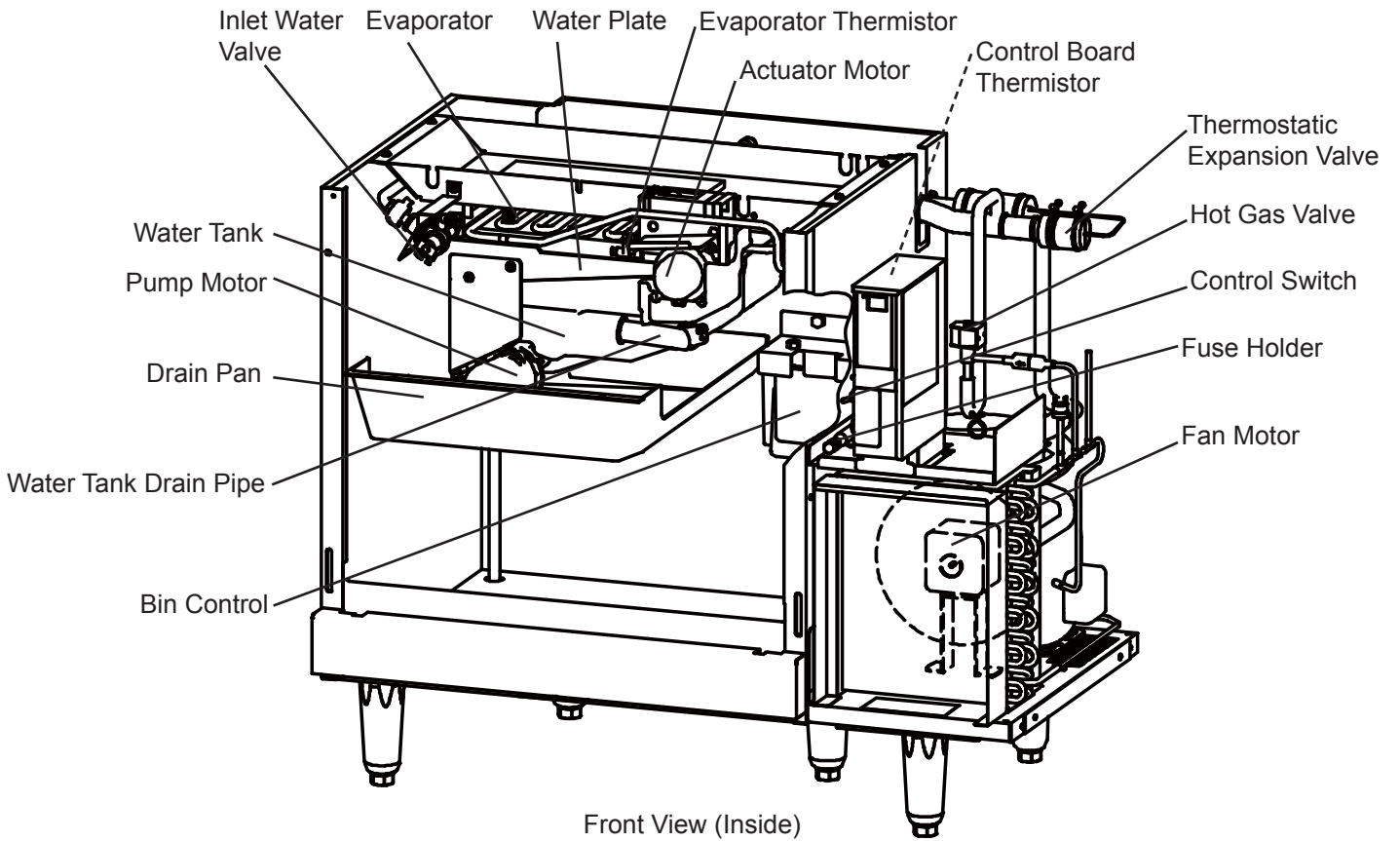
### 1. Air-Cooled Model (BAA)



Front View (Outside)

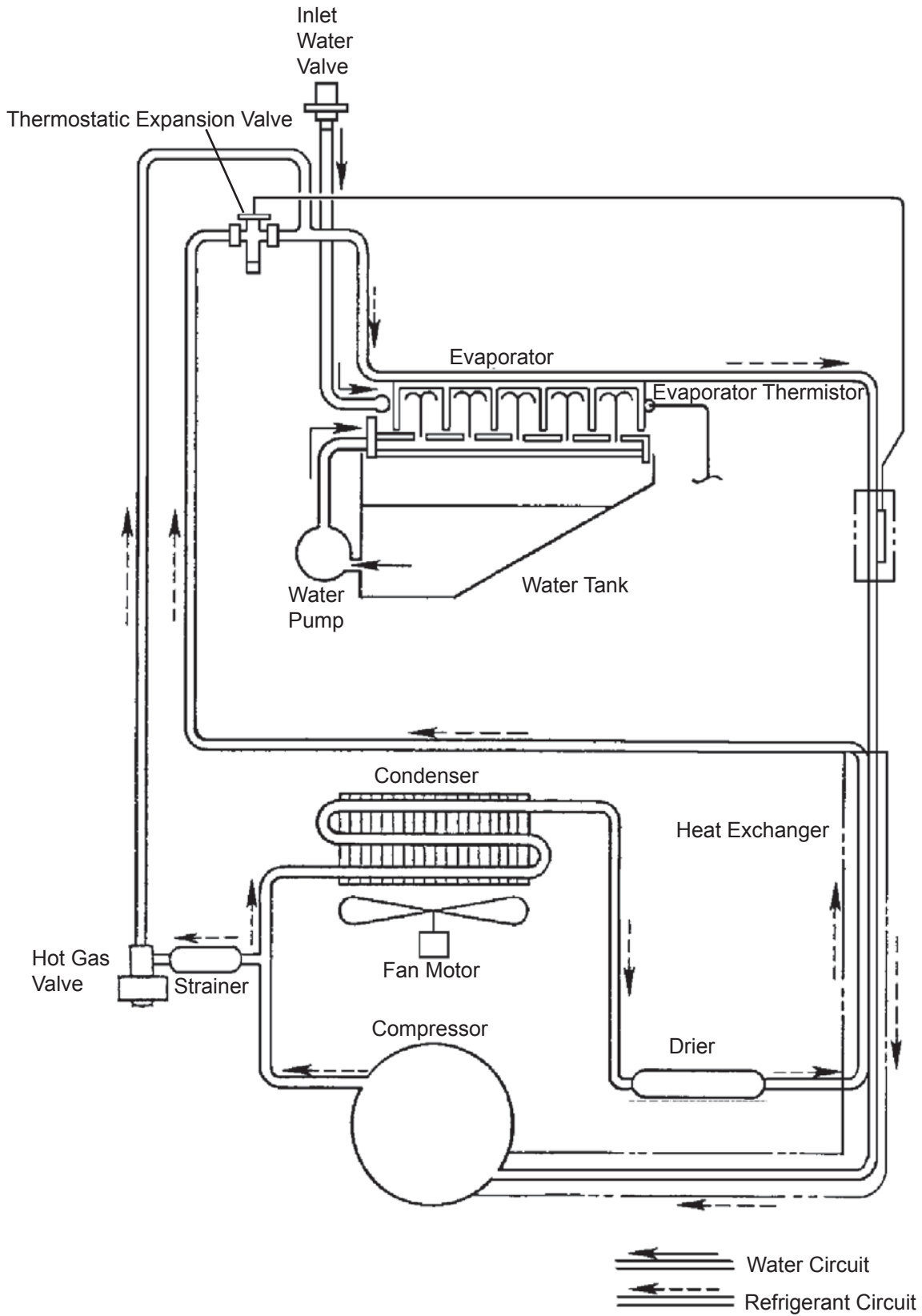


Rear View (Outside)



## B. Water/Refrigeration Circuit Diagram

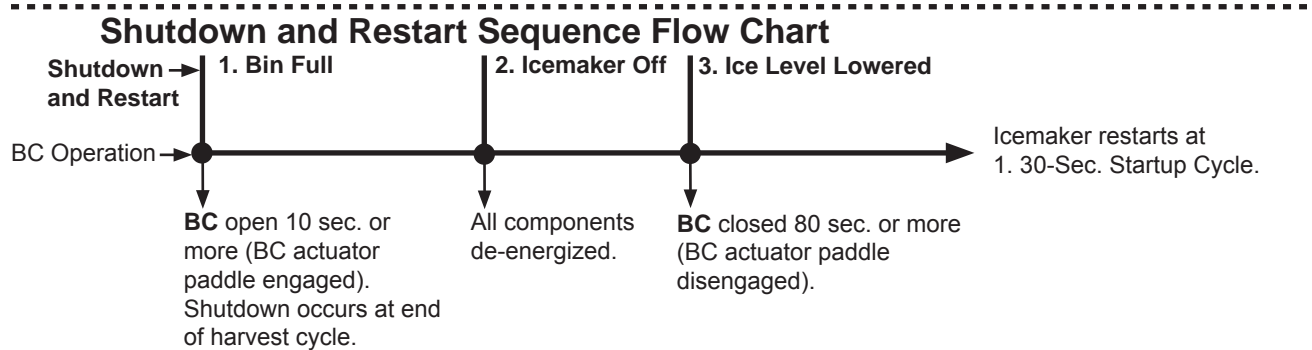
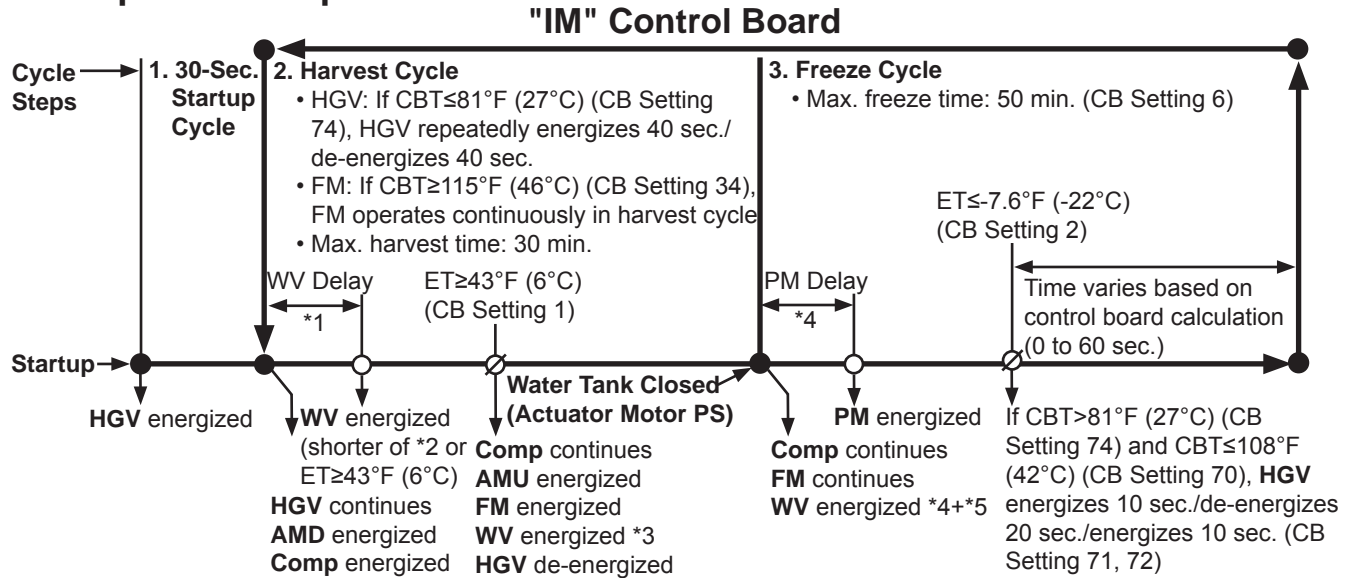
### 1. Air-Cooled Model (BAA)





## II. Sequence of Operation and Service Diagnosis

### A. Sequence of Operation Flow Chart



Note	CB Setting	Initial Harvest and Initial Freeze after Power On		Initial Harvest and Initial Freeze after Bin Control Initiated Restart		Normal Harvest and Freeze	
		All WT	WT > 48°F (9°C)	WT ≤ 48°F (9°C)	WT > 48°F (9°C)	WT ≤ 48°F (9°C)	
*1	NA	20 sec.	0 sec.	0 sec.	20 sec.	20 sec.	
*2	10, 11	90 sec.	10 sec. (CB Setting NA)	90 sec.	20 sec.	90 sec.	
*3	NA	10 sec.	0 sec.	10 sec.	0 sec.	10 sec.	
PD*4	12	33 sec. × 2	33 sec. × 2	33 sec. × 2	33 sec.	33 sec.	
PD*5	15	0 sec. × 2	0 sec. × 2	0 sec. × 2	0 sec.	0 sec.	
FD*4	12	66 sec.	66 sec.	66 sec.	66 sec.	66 sec.	
FD*5	15	0 sec.	0 sec.	0 sec.	0 sec.	0 sec.	

**Legend:**

AMD—actuator motor down	FM—fan motor
AMU—actuator motor up	HGV—hot gas valve
BC—bin control	PD—partial drain (CB Setting 14)
CBT—control board thermistor	PM—pump motor
Comp—compressor	PS—position sensor
ET—evaporator thermistor	WT—water temperature
FD—full drain (CB Setting 14)	WV—inlet water valve

## B. Sequence of Operation

### 1. Startup Cycle

When power supply is turned on, "on" appears on CB display and HGV energizes. 30 sec. later, harvest cycle starts.

- If the "RESET" button is pressed during 30-sec. startup cycle time, startup cycle ends immediately and harvest cycle starts.

### 2. Harvest Cycle

HGV continues. Comp and AMD energize. WV energizes as listed in table below.

Note	CB Setting	Initial Harvest after Power On	Initial Harvest after Bin Control Initiated Restart		Normal Harvest	
		All WT	WT>48°F (9°C)	WT≤48°F (9°C)	WT>48°F (9°C)	WT≤48°F (9°C)
WV Delay	NA	20 sec.	0 sec.	0 sec.	20 sec.	20 sec.
WV Time after WV Delay	10, 11	90 sec.	10 sec. (CB Setting NA)	90 sec.	20 sec.	90 sec.
WV Time when ET≥43°F (6°C) (CB Setting 1)	NA	10 sec.	0 sec.	10 sec.	0 sec.	10 sec.

Note: ET temperature is recorded 30 seconds after PM energizes in the preceding freeze cycle. Water temperature correction value (CB Setting 13) is added to ET temperature and this is used as WT value.

If CBT≤81°F (27°C) (CB Setting 74) at beginning of harvest cycle, HGV repeatedly energizes 40 sec./de-energizes 40 sec. If CBT≥115°F (46°C) (CB Setting 34) at beginning of harvest cycle, FM operates continuously in harvest cycle.

When ET reaches harvest cycle termination temperature (CB Setting 1) of 43°F (6°C), HGV de-energizes, FM and AMU energize. Comp continues. WV energizes as listed in table above. Harvest cycle is complete when actuator motor PS indicates water tank is fully closed.

### 3. Freeze Cycle

Comp and FM continue. WV energizes for total time of WV Time 1 and WV Time 2 listed in table below. PM energizes after PM delay listed in table below.

Note	CB Setting	Initial Freeze after Power On	Initial Freeze after Bin Control Initiated Restart	Normal Freeze
		All WT	All WT	All WT
<b>PD</b> WV Time 1 and PM Delay	12	33 sec. × 2	33 sec. × 2	33 sec.
<b>PD</b> WV Time 2	15	0 sec. × 2	0 sec. × 2	0 sec.
<b>FD</b> WV Time 1 and PM Delay	12	66 sec.	66 sec.	66 sec.
<b>FD</b> WV Time 2	15	0 sec.	0 sec.	0 sec.

ET temperature is recorded 30 seconds after PM energizes. Water temperature correction value (CB Setting 13) is added to ET temperature and this is used as WT value in following harvest cycle.

If  $CBT > 81^{\circ}F$  ( $27^{\circ}C$ ) (CB Setting 74) and  $CBT \leq 108^{\circ}F$  ( $42^{\circ}C$ ) (CB Setting 70), when  $ET \leq -7.6^{\circ}F$  ( $-22^{\circ}C$ ) (CB Setting 2), HGV energizes 10 sec., de-energizes 20 sec., energizes 10 sec. (CB Settings 71 and 72) to reduce bonding of the water tank to the evaporator.

CB monitors time after ET temperature  $\leq 32^{\circ}F$  ( $0^{\circ}C$ ). CB terminates freeze cycle when the following equation is satisfied:

$$temp. (absolute\ value) \times time (min.) = (absolute\ value\ of\ CB\ Setting\ 2) \times (CB\ Setting\ 3)$$

Using default settings, freeze cycle is terminated when:

$$temp. (absolute\ value) \times time (min.) = 264$$

This formula helps maintain consistent dimple size regardless of differences in seasonal ambient and water temperatures.

#### 4. Shutdown

When BC is engaged (open) for more than 10 seconds, the icemaker shuts down after harvest cycle.

When BC is disengaged (closed) for more than 80 seconds, icemaker restarts at startup cycle.

If BC is engaged (open) while the water tank is opening after the power supply is turned on (or after the "RESET" button is pressed), shutdown does not start: Shutdown occurs 10 seconds after actuator motor's internal position sensor indicates water tank is fully open.

Legend: **AMD**—actuator motor down; **AMU**—actuator motor up; **BC**—bin control; **CB**—control board; **CBT**—control board thermistor; **Comp**—compressor; **ET**—evaporator thermistor; **FD**—full drain (CB Setting 14); **FM**—fan motor; **HGV**—hot gas valve; **PM**—pump motor; **PD**—partial drain (CB Setting 14); **PS**—position sensor; **WT**—water temperature; **WV**—inlet water valve

### C. Service Diagnosis Table

First see "III.G. Error Codes." If there are no recorded errors, refer to the table below.

No Ice Production - Possible Cause	
1. Power Supply	a) Off, blown fuse, or tripped breaker.
	b) Not within specifications.
2. Fuse (Control Box)	a) Blown.
3. Control Switch	a) In "OFF" or "WASH" position.
	b) Bad contacts.
4. High-Pressure Switch	a) Dirty condenser or air filter.
	b) Fan motor not operating.
	c) Refrigerant overcharged.
	d) Bad contacts.
	e) Refrigerant lines or components restricted.
5. Control Transformer (115VAC/10.5VAC)	a) Coil winding open or shorted.
6. Control Board	a) Error. See "III.G. Error Codes."
	b) Defective.
7. Bin Control See "II.D. Bin Control Check and Cleaning"	a) Tripped with bin filled with ice.
	b) Actuator does not move freely.
	c) Defective.
8. Water Supply	a) Water supply off or improper water pressure.
	b) External water filters restricted.
9. Inlet Water Valve	a) Screen or orifice restricted.
	b) Coil winding open.
10. Compressor	a) Compressor relay/magnetic contactor contacts bad or coil winding open.
	b) Start capacitor or run capacitor defective (single phase).
	c) Internal protector open.
	d) Start relay contacts bad or coil winding open (single phase).
	e) Defective.
11. Hot Gas Valve	a) Defective.
12. Evaporator (Cube Control) Thermistor See "II.E. Evaporator Thermistor Check"	a) Loose, disconnected, or defective.
13. Pump Motor	a) Mechanical seal worn out.
	b) Defective.
	c) Defective capacitor.
14. Thermostatic Expansion Valve	a) Bulb loose.
	b) Defective.
15. Fan Motor	a) Defective.
	b) Defective capacitor.
16. Water System	a) Water leaks.

<b>Low Ice Production - Possible Cause</b>	
<b>Long Harvest Cycle</b>	
1. Evaporator	a) Scaled up.
2. Refrigerant Charge	a) Low.
3. Control Board	a) Thermistor connection loose (K3).
	b) Defective.
4. Evaporator (Cube Control) Thermistor See "II.E. Evaporator Thermistor Check"	a) Loose, disconnected, or defective.
5. Hot Gas Valve	a) Erratic or closed.
6. Compressor	a) Inefficient or off.
7. Thermostatic Expansion Valve	a) Defective.
<b>Long Freeze Cycle</b>	
1. Evaporator	a) Scaled up, dirty.
2. Hot Gas Valve	a) Defective.
3. Condenser	a) Restricted.
4. Control Board	a) Defective.
5. Refrigerant Charge	a) Low.
6. Thermostatic Expansion Valve	a) Bulb loose.
	b) Defective.
7. Compressor	a) Inefficient or off.
<b>Slab Does Not Break Into Separate Cubes - Possible Cause</b>	
1. Spring	a) Over-extended.
2. Water Plate	a) Obstacle caught between evaporator and water plate.
<b>Cubes Drop Separately - Possible Cause</b>	
1. Refrigerant Charge	a) Low - Long harvest cycle.
2. Cam Arm	a) Worn out.
<b>Imperfect Ice Production - Possible Cause</b>	
1. Water Supply	a) Improper water pressure.
	b) External water filters restricted.
	c) Water leaks from water tank or water plate due to broken tank or plate or icemaker out of level.
2. Inlet Water Valve	a) Water leaks from valve body or water supply pipe joint.
3. Water Plate	a) Spray holes restricted.
4. Pump Motor	a) Defective.
<b>Large-Hole Cubes - Possible Cause (Also see III.H.1. Dimple Diameter")</b>	
1. Refrigerant Charge	a) Low.
2. Condenser	a) Dirty condenser or air filter.
3. Fan Motor	a) Defective.

<b>Large-Hole Cubes - Possible Cause (Also see III.H.1. Dimple Diameter")</b>	
4. Icemaker Location	a) Insufficient clearance.
	b) Ambient temperature too high.
5. Water Supply	a) Water leaks.
	b) Improper water pressure.
<b>Cloudy Cubes - Possible Cause</b>	
1. Water Quality	a) High hardness. See "III.H.2. Ice Clarity."
2. Slush Ice	a) Use Anti-Slush Control (Control Board Settings 50 and 51).

## D. Bin Control Check and Cleaning

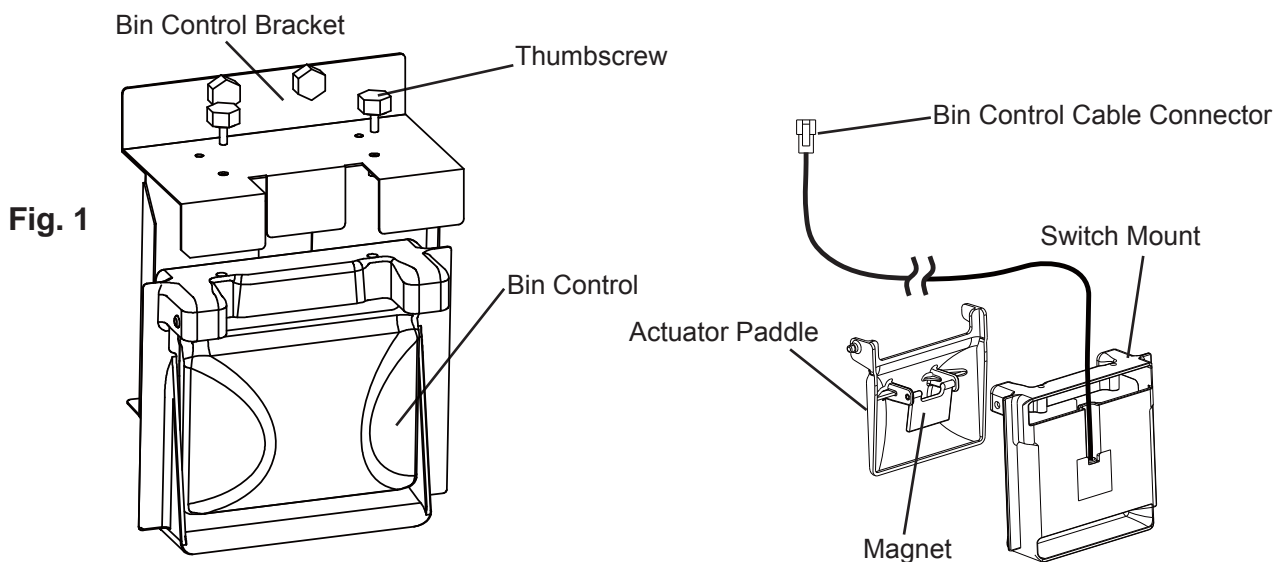
### 1. Bin Control Check

This appliance uses a lever-actuated proximity switch to control the ice level in the storage bin. No adjustment is required.

To check, follow the steps below.

- 1) Remove the front panel and then move the control switch to the "OFF" position.
  - 2) Unplug the appliance.
  - 3) Remove the control box cover. Clear any ice away from BC.
  - 4) Check BC wire harness connections.
  - 5) Disconnect BC wire harness connector from CB CN11 connector.
  - 6) Check for continuity across the wires of BC wire harness connector. When the actuator paddle is not engaged, BC switch is closed. If open, check that the wire harness connector is properly connected and that the actuator paddle is not sticking. Clean if necessary. See "II.D.2. Bin Control Cleaning." If BC switch still reads open, replace BC.
  - 7) Press and hold the actuator paddle; check for continuity across the wires of BC wire harness connector. When the actuator paddle is engaged, BC switch is open. If closed, check that the actuator paddle is not restricted. Clean if necessary. See "II.D.2. Bin Control Cleaning." If BC switch still reads closed, replace BC.
  - 8) Reconnect BC wire harness connector to CB CN11 connector, then move the control switch to the "ICE" position. Turn on the power supply.
  - 9) Allow the icemaker to cycle on. Press and hold the actuator paddle for at least 10 seconds. The icemaker should shut down. If it does not, replace CB.
- Note: If BC is engaged (open) while the water tank is opening after the power supply is turned on (or after the "RESET" button is pressed), shutdown does not start: Shutdown occurs 10 seconds after actuator motor's internal position sensor indicates water tank is fully open.

Legend: **BC**—bin control; **CB**—control board



## 2. Bin Control Cleaning

Scale may build up on BC. Scale can cause the actuator paddle and magnet to stick. In this case, BC should be cleaned.

### **WARNING**

**CHOKING HAZARD:** Ensure all components, fasteners, and thumbscrews are securely in place after the icemaker is serviced. Make sure that none have fallen into the dispense unit/ice storage bin.

- 1) Remove the front panel and then move the control switch to the "OFF" position. Unplug the appliance.
- 2) Remove the top panel, top insulation, and top sheet.
- 3) Clear any ice away from BC.
- 4) Carefully remove the BC cable from the cable ties in the evaporator case, then remove the BC from the bin control bracket and move to the front of the icemaker for cleaning.
- 5) Remove the actuator paddle from the switch mount. See Fig. 1.
- 6) Wipe down BC with a mixture of 1 part of Hoshizaki "Scale Away" and 25 parts of warm water. Rinse the parts thoroughly with clean water.
- 7) Reassemble BC and replace it in its correct position.  
Note: If the magnet was removed for cleaning, be sure to replace it in its correct position.
- 8) Replace the BC cable into the cable ties in the evaporator case, then replace the top sheet, top insulation, and top panel.
- 9) Confirm CB wire harness connections are secure, then replace the control box cover in its correct position.
- 10) Plug in the appliance. Move the control switch to the "ICE" position.
- 11) Replace the front panel in its correct position.

Legend: **BC**—bin control; **CB**—control board



## E. Evaporator Thermistor Check

To check thermistor resistance, follow the steps below.

- 1) Remove the front panel and then move the control switch to the "OFF" position.
- 2) Unplug the appliance.
- 3) Remove the control box cover.
- 4) Remove the thermistor from the evaporator.
- 5) Immerse the thermistor sensor portion in a glass containing ice and water for 2 or 3 min.
- 6) Disconnect the thermistor connector from CB CN13 connector and check the resistance between thermistor leads. Normal range is 4.7 to 6.2 k $\Omega$ . If outside the normal range, replace the thermistor. See "IV.B. Component Service Information." If within the normal range, continue to the next step.
- 7) Replace the thermistor in its correct position. See "IV.B. Component Service Information."
- 8) Reconnect the thermistor connector to CB CN13 connector.
- 9) Replace the control box cover in its correct position.
- 10) Plug in the appliance.
- 11) Move the control switch to the "ICE" position.
- 12) Replace the front panel.

Legend: **CB**—control board; **Comp**—compressor

---

### III. Controls and Adjustments

#### A. Control Switch

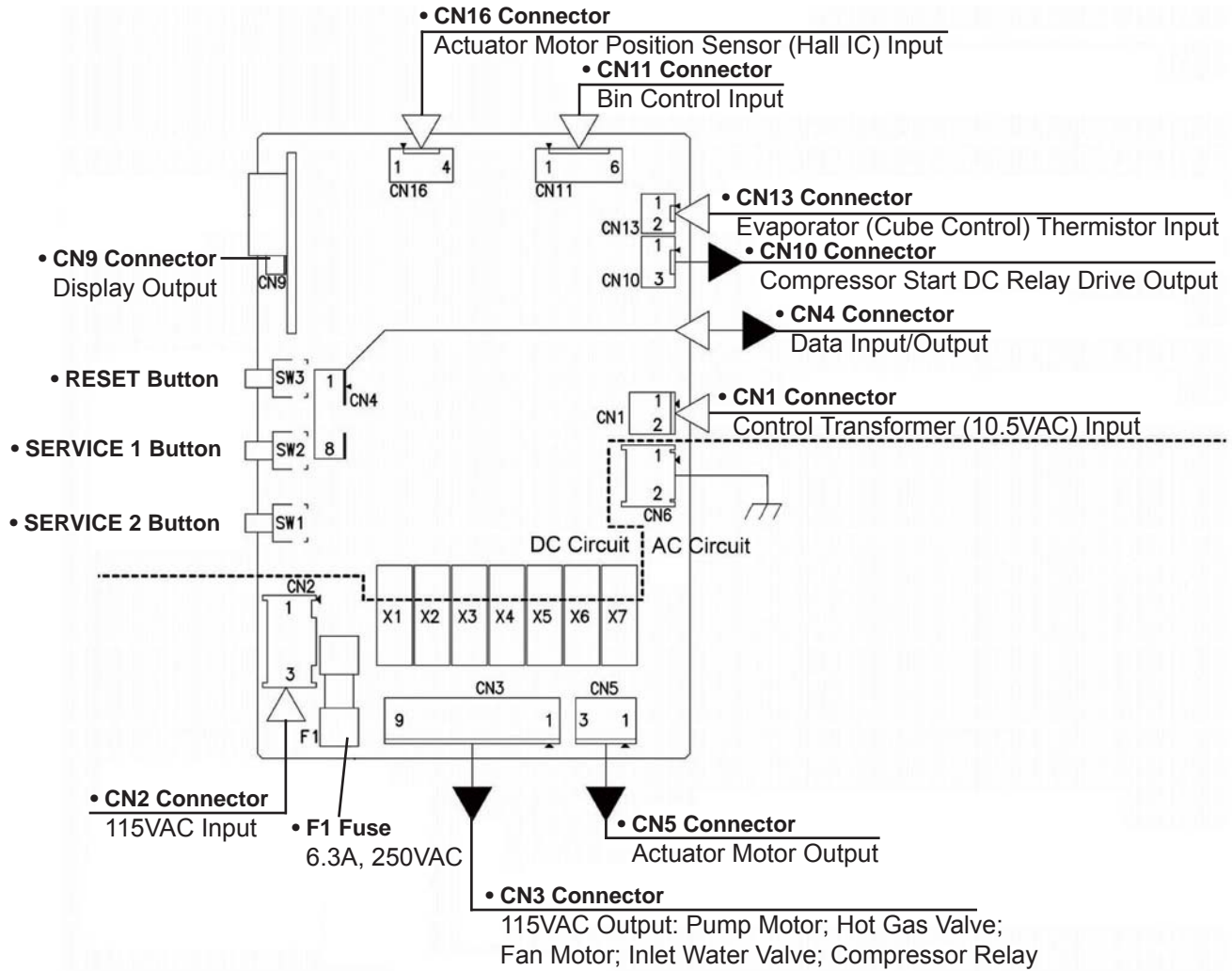
The control switch has three positions: OFF for power off, ICE for icemaking, and WASH to energize the water pump when cleaning and sanitizing.

#### B. Control Board

- A Hoshizaki exclusive control board is employed in IM series appliances.
- All models are pretested and factory adjusted.

<b><i>NOTICE</i></b>
<ul style="list-style-type: none"><li>• Fragile, handle very carefully.</li><li>• The control board contains integrated circuits, which are susceptible to failure due to static discharge. It is especially important to touch the metal part of the icemaker when handling or replacing the control board.</li><li>• Do not touch the electronic devices on the control board or the back of the control board.</li><li>• Do not change wiring and connections.</li><li>• Do not short out power supply to test for voltage.</li><li>• Always replace the whole control board assembly if it goes bad.</li></ul>

# 1. Control Board Layout



<b>"IM" Control Board</b>	
Part Number	P01873-01 Version 1.6C or Later

## C. Control Buttons

The control board features RESET, SERVICE 1, and SERVICE 2 Buttons

### 1. RESET Button

- Press briefly to go to initial harvest cycle.
- Press and hold for 3 seconds to enter control board setting mode. For details about control board settings, see "III.D. Control Board Setting Mode and Control Board Settings."

### 2. SERVICE 1 and SERVICE 2 Buttons

- Press the "SERVICE 1" or "SERVICE 2" button briefly to display the current freeze cycle termination temperature (Control Board Setting 2). This setting controls dimple diameter. For details about adjusting the dimple diameter, see "III.H.1. Dimple Diameter." **NOTICE! Do not decrease dimple size below 3/16" (5 mm).**
- Press and hold the "SERVICE 1" button for 3 seconds to enter information display and model code setting mode. For details about information display and model code setting, see "III.F. Model Code Setting Mode."

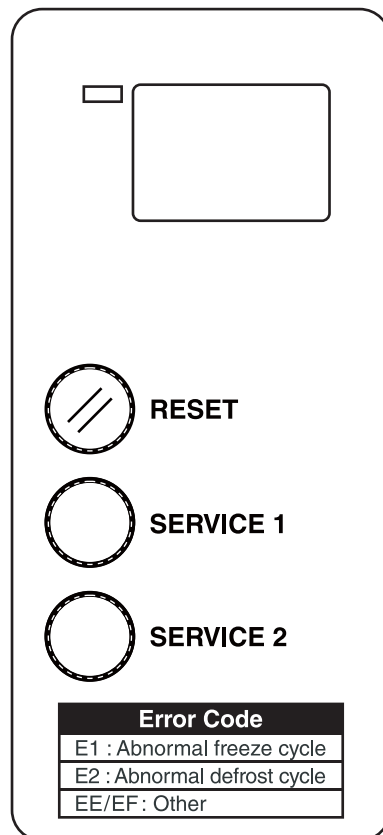


Fig. 2

## D. Control Board Settings

### **NOTICE**

Failure to maintain factory settings may adversely affect performance and warranty coverage. For more information, contact your Hoshizaki Service Center.

- 1) With "on" in display, press and hold the "RESET" button for 3 seconds. Display changes to "1".
- 2) Use the "SERVICE 1" and "SERVICE 2" buttons to choose a control board setting.
- 3) Press the "RESET" button to view the setting's value. Current value flashes in display.
- 4) Use the "SERVICE 1" and "SERVICE 2" buttons to change value.
- 5) Press the "RESET" button to select value. Display returns to control board setting number.
- 6) Once display returns to "on" (20 seconds), the new setting is saved.

<b>Control Board (CB) Setting Menu</b>				
<b>Category</b>	<b>No.</b>	<b>Item</b>	<b>Range</b>	<b>IM-200BAA Default</b>
Basic	1	<u>Harvest Cycle Termination Temperature</u> Temperature to complete harvest cycle.	2 to 20°C (1°C increments)	6
	2	<u>Freeze Cycle Termination Temperature</u> Integrated with freeze cycle termination time (CB Setting 3) to control length of freeze cycle after evaporator (cube control) thermistor temperature drops to 32°F (0°C). To use this setting for dimple size adjustment, see "III.H.1. Dimple Diameter."	-5 to -40°C (0.5°C increments. The "." in the lower, right corner of the display indicates .5°C.)	-22
	3	<u>Freeze Cycle Termination Time</u> Integrated with freeze cycle termination temperature (CB Setting 2) to control length of freeze cycle after evaporator (cube control) thermistor temperature drops to 32°F (0°C).	5 to 90 min. (1 min. increments)	12
	4	<u>Ambient Temperature Correction Value for Freeze Cycle Termination</u> <b>DO NOT ADJUST</b>	10 to 50°C (1°C increments)	10
	5	<u>Ambient Temperature Correction Rate for Freeze Cycle Termination</u> <b>DO NOT ADJUST</b>	10 to 100% (00 = 100) (1% increments)	100
	6	<u>Freeze Cycle Backup Timer</u> Maximum allowed freeze time to prevent possible freeze-up issues.	45 to 90 min. (5 min. increments)	50
Water Supply	10	<u>Harvest Cycle Water Supply Time: Water Temperature 48°F (9°C) or Lower</u> When set to "99", inlet water valve energized until harvest cycle termination temperature (CB Setting 1) is reached.	1 to 99 sec, 99 = continuous (1 sec. increments)	90
	11	<u>Harvest Cycle Water Supply Time: Water Temperature Higher Than 48°F (9°C)</u> When set to "99", inlet water valve energized until harvest cycle termination temperature (CB Setting 1) is reached.	1 to 99 sec, 99 = continuous (1 sec. increments)	20

<b>Control Board (CB) Setting Menu</b>				
<b>Category</b>	<b>No.</b>	<b>Item</b>	<b>Range</b>	<b>IM-200BAA Default</b>
Water Supply, continued	12	<u>Freeze Cycle Water Supply Time 1: Partial Drain (CB Setting 14)</u>	0 to 90 sec. (1 sec. increments)	33
		<u>Freeze Cycle Water Supply Time 1: Full Drain (CB Setting 14)</u>		66
	13	<u>Water Temperature Correction Value</u> Value added to correct the difference between the temperature at the evaporator (cube control) thermistor and actual water supply temperature.	+0 to +20°C (1°C increments)	9
	14	<u>Partial/Full Drain Selection</u> Controls timing for inlet water valve and pump motor in the freeze cycle. <u>Partial Drain:</u> Pump motor energizes after freeze cycle water supply time 1 (CB Setting 12) timer terminates. During the first freeze cycle after startup or following a bin control initiated shutdown and restart, freeze cycle water supply times 1 and 2 (CB Settings 12 and 15) are doubled. <u>Full Drain:</u> Pump motor energizes after freeze cycle water supply time 1 (CB Setting 12) timer terminates. If full drain is selected, change freeze cycle making water supply times 1 and 2 (CB Settings 12 and 15) to the full drain times listed in this table and move the water tank drain pipe to the drain position. For details, see "III.H.2. Ice Clarity."	Partial=1; Full=0	1
	15	<u>Freeze Cycle Water Supply Time 2: Partial Drain (CB Setting 14)</u>	0 to 90 sec. (1 sec. increments)	0
		<u>Freeze Cycle Water Supply Time 2: Full Drain (CB Setting 14)</u>		0
	17	<u>Ice Bridge Control Divided Harvest Cycle Water Supply</u> Divides harvest cycle water supply to prevent water from flowing over ice when ice drops in harvest.  e.g. CB Setting 1= 6 CB Setting 10 = 90 CB Setting 17 = 1 CB Setting 18 = 2 When set as above, harvest cycle water supply is as follows: Inlet water valve energizes for 40 sec. when harvest cycle starts. Inlet water valve energizes again when thermistor temperature reaches 39°F (4°C) (CB Setting 1 - CB Setting 18). Inlet water valve de-energizes after 50 sec. (CB Setting 10 - 40 sec.) or when thermistor temperature reaches 43°F (6°C) (CB Setting 1) whichever comes first.	Yes=1; No=0	0
	18	<u>Ice Bridge Control Divided Harvest Cycle Water Supply Restart Temperature Factor</u> When CB Setting 17 is set to 1, CB Setting 1 - CB Setting 18 = temperature at which harvest cycle water supply restarts.	0 to 20°C (1°C increments)	0

<b>Control Board (CB) Setting Menu</b>				
<b>Category</b>	<b>No.</b>	<b>Item</b>	<b>Range</b>	<b>IM-200BAA Default</b>
Other	21	<u>Stackable Bin Control</u> Allows for stacked units to be controlled through one bin control. <b>DO NOT ADJUST</b>	Yes=1; No=0	1
	22	<u>Refrigeration Circuit Cycling when Bin Full</u> <b>DO NOT ADJUST</b>	On=1; Off=0	0
Model	30	<u>Type</u> 0: WC, PS, No CondTherm, Ignore CB Setting 34 1: AC, No PS, No CondTherm, Use CB Setting 34 2: AC, No PS, CondTherm, Use CB Setting 34 3: AC, PS, No CondTherm, Use CB Setting 34 <b>DO NOT ADJUST</b>	0 to 3	3
Harvest Cycle High Temperature Control	34	<u>Harvest Cycle High Temperature Control</u> Active if type setting (CB Setting 30) is set to 1, 2, or 3. If control board thermistor temperature at the beginning of harvest cycle is equal to or greater than the harvest cycle high temperature control setting, fan motor operates continuously in harvest cycle.	40 to 70°C (1°C increments)	46
Water Regulating Valve	36	<u>Water Regulating Valve Error Detection Temperature</u> <b>DO NOT ADJUST</b>	0 to 50°C 0=ignore, air-cooled model (1°C increments)	0
Compressor	37	<u>Compressor Output Selection</u> <b>DO NOT ADJUST</b>	0: X8 (DC Relay) On 1: X1 (AC Relay) On	1
Anti-Slush Control	50	<u>Pump De-Energized Time</u> When temperature at evaporator (cube control) thermistor drops to 37°F (3°C) in the freeze cycle, pump de-energizes for the length of time set.	0 to 90 sec. 0=ignore, no anti-slush (1 sec. increments)	0
	51	<u>Anti-Slush Control Water Supply Time</u> Time inlet water valve is energized while pump is de-energized if pump de-energized time (CB Setting 50) is greater than 0.	0 to 5 sec. (1 sec. increments)	0
Hard Water Control	60	<u>Integrated Value</u> If hard water control water supply time (CB Setting 61) is greater than 0: After evaporator (cube control) thermistor indicates temperature of 32°F (0°C) in freeze cycle, inlet water valve energized starting when percentage of freeze cycle termination temperature and freeze cycle time integrated value has been achieved. <b>DO NOT ADJUST</b>	10 to 100% (00=100) (1% increments)	10
	61	<u>Hard Water Control Water Supply Time</u> Time inlet water valve is energized after integrated value (CB Setting 60) conditions are met. Before using this setting, follow the instructions to improve ice clarity; see "III.H.2. Ice Clarity."	0 to 90 sec. (1 sec. increments)	0

<b>Control Board (CB) Setting Menu</b>				
<b>Category</b>	<b>No.</b>	<b>Item</b>	<b>Range</b>	<b>IM-200BAA Default</b>
Water Tank Ice Control	70 71 72 74	If control board thermistor temperature is above the water tank ice control lower temperature setting (CB Setting 74) and equal to or less than the water tank ice control upper temperature setting (CB Setting 70) when freeze cycle termination temperature (CB Setting 2) is met, the hot gas valve energizes/de-energizes/energizes for the times set by the hot gas valve energized/de-energized times (CB Settings 71 and 72) to reduce bonding of the water tank to the evaporator.	See Ranges Below	See Defaults Below
Water Tank Ice Control & Ice Bridge Control	70	<u>Water Tank Ice Control Upper Temperature</u> See CB Setting 70, 71, 72, 74 description above. <u>Ice Bridge Control Temperature</u> See CB Setting 73 description below.	10 to 60°C (1°C increments)	42
Water Tank Ice Control	71	<u>Water Tank Ice Control Hot Gas Valve Energized Time</u> See CB Setting 70, 71, 72, 74 description above.	0 to 20 sec. (1 sec. increments)	10
	72	<u>Water Tank Ice Control Hot Gas Valve De-Energized Time</u> See CB Setting 70, 71, 72, 74 description above.	10 to 60 sec. (1 sec. increments)	20
Ice Bridge Control	73	<u>Ice Bridge Control Hot Gas Valve De-Energized Time</u> Time hot gas valve is de-energized after 20 sec. in harvest cycle if control board thermistor temperature is above the ice bridge control temperature (CB Setting 70) when freeze cycle termination temperature (CB Setting 2) is met.	0 to 30 sec. (1 sec. increments)	0
Water Tank Ice Control & Harvest Cycle Low Temperature Control	74	<u>Water Tank Ice Control Lower Temperature</u> See CB Setting 70, 71, 72, 74 description above. <u>Harvest Cycle Low Temperature Control</u> If control board thermistor temperature at the beginning of harvest cycle is equal to or less than the harvest cycle low temperature control setting, hot gas valve repeatedly energizes for 40 seconds then de-energizes for 40 seconds to promote a balanced harvest across the evaporator plate.	0 to 40°C (1°C increments)	27



## E. Control Board Information Display

1. With unit on, press and hold the "SERVICE 1" button for 3 seconds. Display changes to "n1".
2. Use the "SERVICE 1" and "SERVICE 2" buttons to move through the list.
3. Press the "RESET" button to view the item's value.
4. Press the "RESET" button to return to list.
5. Display returns to normal if no buttons are touched for 20 seconds.

Control Board Information Display			
No.	Item	Description	History Cleared by Pressing and Holding SERVICE 1 and SERVICE 2 Buttons Simultaneously for 5 Sec. when Item Value is Displayed?
n1	<u>Freeze Cycle Time</u> During Freeze Cycle: Time since freeze cycle started. After Freeze Cycle: Time of previous freeze cycle.	0 to 99 min.	No
n2	<u>Freeze Cycle Completion Rate</u> During Freeze Cycle: Percent of freeze cycle completed. After Freeze Cycle: Percent of previous freeze cycle completed.	0 to 100% 00 = 100%	No
n3	<u>Current Evaporator (Cube Control) Thermistor Temperature</u>	°C	No
n4	<u>Current Control Board Thermistor Temperature</u>	°C	No
n5	<u>Water Temperature</u> Temperature at evaporator (cube control) thermistor 30 seconds after pump motor energized in freeze cycle plus the water temperature correction value (Control Board Setting 13).	"H" if Higher than 48°F (9°C) "L" if 48°F (9°C) or Lower	No
n6	<u>Current Condenser Thermistor Temperature</u> Not Applicable to IM-200BAA	°C	No
h1	<u>Last Completed Freeze Cycle Time</u> Freeze cycles interrupted by bin control shutdown or the "RESET" button are not recorded.	0 to 99 min.	Yes
h2	<u>Number of Completed Freeze Cycles Since Last Counter Reset</u> Counter updates every 10 freeze cycles. Freeze cycles interrupted by bin control shutdown or the "RESET" button are not recorded.	Displays up to 999,999 cycles. Displays two digits at a time. For example, 655,350 cycles display as follows: 65>off>53>off>50>off>--	Yes
h3	<u>Total Number of Completed Freeze Cycles</u> Counter updates every 10 freeze cycles. Freeze cycles interrupted by bin control shutdown or the "RESET" button are not recorded.	(repeat)	No

Control Board Information Display			
No.	Item	Description	History Cleared by Pressing and Holding SERVICE 1 and SERVICE 2 Buttons Simultaneously for 5 Sec. when Item Value is Displayed?
h4	<u>Error Log</u> Displays up to 5 errors with the most recent error first. For error details, see "III.G. Error Codes."	For example, E5 (most recent), E4, E3, E2, E1 (least recent of up to 5 errors) displays as follows: E5>off>E4>off>E3>off>E2>off>E1>off>- - (repeat)	Yes
h5	<u>Firmware Version</u> Displays control board's firmware version.	For example, version 1.0A, displays as follows: 01.>off>0A>off>- - (repeat)	No
h6	<u>Model Code</u> The model code puts all settings for a given model to the correct default settings. The model code setting mode should only be used when the control board has been changed, the model code is incorrect, or to reset all settings to the default. For details about the model code setting mode, see "III.F. Model Code Setting Mode."	Displays two-character model code. "00" to "FF"	No

## F. Control Board Model Code Setting

### 1. Control Board Replacement

#### WARNING

- This appliance should be diagnosed and repaired only by qualified service personnel to reduce the risk of death, electric shock, serious injury, or fire.
- Move the control switch to the "OFF" position and unplug the appliance from the electrical outlet before servicing.

- 1) Remove the front panel and move the control switch to the "OFF" position. Unplug the appliance.
- 2) Remove the control box cover.
- 3) Disconnect all the connectors from the control board.
- 4) Remove the old control board and install the new control board (P01873-01 Version 1.6C or Later).
- 5) Connect the connectors to the new control board.
- 6) Replace the control box cover in its correct position.

- 7) Plug in the appliance and then move the control switch to the "ICE" position.
- 8) "00" appears in the display of the new control board.
- 9) Press the "SERVICE 1" button to increase the first digit in the display and the "SERVICE 2" button to increase the second digit. Digits appear in the following order: 0, 1, 2, 3, 4, 5, 6, 7, 8, 9, A, B, C, D, E, F. When a valid model code is displayed, the dot in the bottom right of the display turns on. For IM-200BAA, set model code to "09".
- 10) When the desired model code is displayed, press the "RESET" button to save the setting. "on" appears in the display.
- 11) Replace the front panel in its correct position.

## **2. Checking or Changing the Control Board Model Code**

- 1) With unit on, press and hold the "SERVICE 1" button for 3 seconds. Display changes to "n1".
- 2) Use the "SERVICE 1" and "SERVICE 2" buttons to move through the list until "h6" is displayed.
- 3) Press the "RESET" button to view the current model code. To change the model code, continue through the remaining steps; otherwise, the display returns to normal if no buttons are touched for 20 sec.
- 4) Press and hold the "SERVICE 1" and "SERVICE 2" buttons simultaneously for 15 sec. "00" appears in display.
- 5) Press the "SERVICE 1" button to increase the first digit in the display and the "SERVICE 2" button to increase the second digit. Digits appear in the following order: 0, 1, 2, 3, 4, 5, 6, 7, 8, 9, A, B, C, D, E, F. When a valid model code is displayed, the dot in the bottom right of the display turns on. For IM-200BAA, set model code to "09".
- 6) When the desired model code is displayed, press the "RESET" button to save the setting. "on" appears in the display.

## **G. Error Codes**

When the control board detects an error, the display shows one of the following error codes in the display mode. Error codes other than E1 and E2 are displayed as "EE" at the time of occurrence. To see the actual error code, see the error log.

1. With the unit on, press and hold the "SERVICE 1" button for 3 seconds. Display changes to "n1".
2. Use the "SERVICE 1" and "SERVICE 2" buttons to move through the list until "h4" is displayed.
3. Press the "RESET" button to view the error log. Displays up to 5 errors with the most recent error first.
4. Press the "RESET" button to return to list. To clear error log history, press and hold the "SERVICE 1" and "SERVICE 2" buttons simultaneously for 5 sec.
5. Display returns to normal if no buttons are touched for 20 sec.

<b>Error Codes</b>		
<b>Error Code</b>	<b>Problem</b>	<b>Corrective Action/Reset Details</b>
E1	<u>Freeze Cycle Backup Timer</u> Freeze cycle backup timer (Control Board Setting 6) has terminated. 50 min. after water tank starts to close in preceding harvest cycle, unit stops if the evaporator temperature is above 32°F (0°C).	Check for inlet water valve leaking by, hot gas valve leaking by, pump motor not pumping, thermostatic expansion valve not feeding properly, low charge, or inefficient compressor.  Press the "RESET" button to reset.
E2	<u>Harvest Cycle Backup Timer</u> Harvest cycle backup timer has terminated. 30 min. after water tank starts to open in harvest cycle, unit stops if harvest cycle termination temperature (Control Board Setting 1) has not been reached.	Check for open thermistor, HGV not opening, TXV leaking by, low charge, or inefficient compressor.  Press the "RESET" button to reset.
EE (E3)	<u>Water Tank Opening Backup Timer</u> 3-minute opening backup timer starts when water tank starts to open. If actuator motor's internal position sensor does not indicate water tank is fully open within 3 minutes, display shows "EE" and unit stops for 60 minutes. If error recurs after unit resumes operation, display shows "EE" and unit shuts down.	Check actuator motor and control board.  Press the "RESET" button to reset.
EE (E4)	<u>Water Tank Closing Backup Timer</u> 50-second closing backup timer starts when water tank starts to close. If actuator motor's internal position sensor does not indicate water tank is fully closed within 50 seconds, display shows "EE" and unit stops for 60 minutes. If error recurs after unit resumes operation, display shows "EE" and unit shuts down.	Check actuator motor and control board.  Press the "RESET" button to reset.
EE (E5)	<u>High Evaporator Temperature</u> If evaporator temperature 140°F (60°C) or higher for 5 sec., unit stops.	Check for harvest problem (stuck HGV or control board relay), hot water entering unit, or shorted thermistor.  Press the "RESET" button to reset.
EE (E9)	<u>Condenser Thermistor Error</u> If condenser thermistor is open or shorted for 2 sec., unit stops. Note: IM-200BAA does not utilize a condenser thermistor, therefore E9 error will not occur.	Replace condenser thermistor.
EE (EA)	<u>Control Board Error</u> If model data IC is defective, unit stops.	Replace control board.
EE (EC)	<u>Evaporator (Cube Control) Thermistor Error</u> If evaporator thermistor is open or shorted for 2 sec., unit stops.	Replace evaporator thermistor.

Error Codes		
Error Code	Problem	Corrective Action/Reset Details
EE (Ed)	<p><u>Water Regulating Valve Error</u></p> <p>If water regulating valve thermistor detects a temperature below the water regulating valve error detection temperature (Control Board Setting 36), error is displayed but unit continues to operate.</p> <p>Note: IM-200BAA does not utilize a water regulating valve, therefore Ed error will not occur.</p>	<p>Check water regulating valve.</p> <p>Press the "RESET" button to reset.</p>

## H. Quick Adjustments

### 1. Dimple Diameter

The factory set dimple diameter is 1/4" (7 mm). **NOTICE! Do not decrease the dimple diameter below 3/16" (5 mm).**

#### a) To increase dimple diameter:

- 1) Remove front panel.
- 2) Press the "SERVICE 1" button to view the current freeze cycle termination temperature setting.
- 3) Press the "SERVICE 1" button to raise freeze cycle termination temperature setting (Control Board Setting 2). Temperature setting rises in .5°C increments. The "." in the lower, right corner of the display indicates .5°C. Default is -22°C. For reference, raising freeze cycle termination temperature setting to -19°C will result in a dimple diameter of approximately 3/8" (10 mm).
- 4) Once the display returns to "on" (20 seconds), the new setting is saved.

#### b) To decrease dimple diameter:

- 1) Remove front panel.
- 2) Press the "SERVICE 2" button to view the current freeze cycle termination temperature setting.
- 3) Press the "SERVICE 2" button to lower freeze cycle termination temperature setting (Control Board Setting 2). Temperature setting lowers in .5°C increments. The "." in the lower, right corner of the display indicates .5°C. Default is -22°C. For reference, lowering freeze cycle termination temperature setting to -25°C will result in a dimple diameter of approximately 3/16" (5 mm). **NOTICE! Do not decrease dimple size below 3/16" (5 mm).**
- 4) Once the display returns to "on" (20 seconds), the new setting is saved.

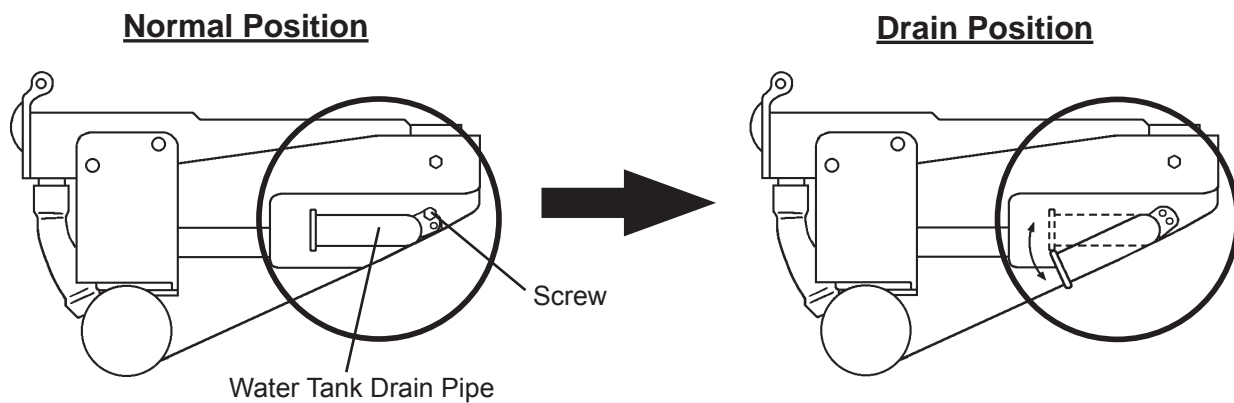
### 2. Ice Clarity

In hard water conditions, white ice may be produced. In such cases, install a water filter and/or water softener, then follow the instructions below.

- 1) Remove the front panel and then move the control switch to the "OFF" position. Unplug the appliance.

- 2) Open the door.
- 3) Remove the screw, then move the water tank drain pipe to the drain position. See Fig. 3. Use the screw to secure the water tank drain pipe in the drain position.
- 4) Plug in the appliance. Move the control switch to the "ICE" position.
- 5) Press and hold the "RESET" button for 3 seconds. "1" appears in the display.
- 6) Press the "SERVICE 1" button until "12" appears in the display. Press the "RESET" button. The current freeze cycle water supply time setting (Control Board Setting 12) flashes in the display. Press the "SERVICE 1" or "SERVICE 2" buttons to change the setting to "66".
- 7) Press the "RESET" button to save the setting and return to the menu.
- 8) Using the same procedure as above, change the full/partial drain setting (Control Board Setting 14) from "1" (partial drain) to "0" (full drain).
- 9) Once the display returns to "on" (20 seconds), the new setting is saved.
- 10) Replace the front panel in its correct position and close the door.

Note: If white ice continues to be an issue, set hard water control water supply time (Control Board Setting 61) to "15". This results in the inlet water valve energizing for 15 seconds part way through the freeze cycle and diluting the water in the water tank. Do not increase this setting beyond 15 seconds; otherwise, freeze cycle times may become long and bridging may occur in the ice storage bin.



**Fig. 3**

## IV. Refrigeration Circuit and Component Service Information

### **WARNING**

- This appliance should be diagnosed and repaired only by qualified service personnel to reduce the risk of death, electric shock, serious injury, or fire.
- To reduce the risk of electric shock, do not touch the control switch or plug with damp hands. Make sure the control switch is in the "OFF" position before plugging in or unplugging the appliance.
- Move the control switch to the "OFF" position and unplug the appliance from the electrical outlet before servicing.
- **CHOKING HAZARD:** Ensure all components, fasteners, and thumbscrews are securely in place after any maintenance is done to the appliance. Make sure that none have fallen into the storage bin.
- Make sure all food zones in the icemaker and storage bin are clean after service.

### A. Refrigeration Circuit Service Information

#### **WARNING**

- Repairs requiring the refrigeration circuit to be opened must be performed by properly trained and EPA-certified service personnel.
- Use an electronic leak detector or soap bubbles to check for leaks. Add a trace of refrigerant to the system (if using an electronic leak detector), and then raise the pressure using nitrogen gas (140 PSIG). Do not use R-134a as a mixture with pressurized air for leak testing.

#### **NOTICE**

- Always recover the refrigerant and store it in an approved container. Do not discharge the refrigerant into the atmosphere.
- Do not leave the system open for longer than 15 min. when replacing or servicing parts. The Polyol Ester (POE) oils used in R-134a applications can absorb moisture quickly. Therefore it is important to prevent moisture from entering the system when replacing or servicing parts.
- Always install a new drier every time the sealed refrigeration system is opened. Do not replace the drier until after all other repair or replacement has been made. Install the new drier with the arrow on the drier in the direction of the refrigerant flow.
- When brazing, protect the drier by using a wet cloth to prevent the drier from overheating. Do not allow the drier to exceed 250°F (121°C).

#### 1. Refrigerant Recovery

The icemaker is provided with a refrigerant access valve. Using proper refrigerant practices, recover the refrigerant. Store the refrigerant in an approved container. Do not discharge the refrigerant into the atmosphere.

## 2. Brazing

### **⚠ WARNING**

- R-134a itself is not flammable at atmospheric pressure and temperatures up to 212°F (100°C).
- R-134a itself is not explosive or poisonous. However, when exposed to high temperatures (open flames), R-134a can be decomposed to form hydrofluoric acid and carbonyl fluoride both of which are hazardous.
- Do not use silver alloy or copper alloy containing arsenic.

- 1) Braze all fittings while purging with nitrogen gas flowing at a pressure of 3 to 4 PSIG.  
Note: Because the pipes in the evaporator case are specially coated to resist corrosion, it is important to make connections outside the evaporator case when possible. If it is necessary to braze inside the evaporator case, use sandpaper to remove the coating from the brazing connections before unbrazing the components.

### **NOTICE**

- Always install a new drier every time the sealed refrigeration system is opened.
- Do not replace the drier until after all other repair or replacement has been made. Install the new drier with the arrow on the drier in the direction of the refrigerant flow.
- When brazing, protect the drier by using a wet cloth to prevent the drier from overheating. Do not allow the drier to exceed 250°F (121°C).

- 2) Use an electronic leak detector or soap bubbles to check for leaks. Add a trace of refrigerant to the system (if using an electronic leak detector), and then raise the pressure using nitrogen gas (140 PSIG). Do not use R-134a as a mixture with pressurized air for leak testing.

## 3. Evacuation and Recharge (R-134a)

- 1) Attach a vacuum pump to the system. Be sure the high-side charging hose is connected to the high-side refrigerant access valve.

### **IMPORTANT**

The vacuum level and vacuum pump may be the same as those for current refrigerants. However, the rubber hose and gauge manifold to be used for evacuation and refrigerant charge should be exclusively for POE oils.

- 2) Turn on the vacuum pump. Open the gauge manifold valves. Never allow the oil in the vacuum pump to flow backwards.
- 3) Allow the vacuum pump to pull down to a 29.9" Hg vacuum. Evacuating period depends on pump capacity.
- 4) Close the high-side valve on the gauge manifold.



- 5) Disconnect the gauge manifold hose from the vacuum pump and attach it to a refrigerant service cylinder. Remember to loosen the connection and purge the air from the hose. For the required refrigerant charge, see the nameplate. Hoshizaki recommends only virgin refrigerant or reclaimed refrigerant which meets ARI Standard 700 (latest edition) be used.
- 6) A liquid charge is required when charging an R-134a system. Place the service cylinder on the scales; if the service cylinder is not equipped with a dip tube, invert the service cylinder, then place it on the scales. Open the high-side valve on the gauge manifold.
- 7) Allow the system to charge with liquid until the proper charge weight is met.
- 8) Close the high-side gauge manifold valve, then disconnect the gauge manifold hose.
- 9) Cap the refrigerant access valve to prevent a possible leak.

## B. Component Service Information

<b>NOTICE</b>
When replacing a component listed below, see the notes to help ensure proper operation.

Component	Notes
Compressor	Install a new start capacitor and start relay.
Thermostatic Expansion Valve	<ul style="list-style-type: none"> <li>• Attach the thermostatic expansion valve bulb to the suction line in the same location as the previous bulb.</li> <li>• The bulb should be between the 10 and 2 o'clock positions on the tube.</li> <li>• Secure the bulb with the clamp and holder, then insulate it.</li> </ul>
Hot Gas Valve	<ul style="list-style-type: none"> <li>• Replace the strainer if applicable.</li> <li>• Use copper tube of the same diameter and length when replacing valve lines.</li> </ul>
Pump Motor	Install a new capacitor.
Actuator Motor	Install a new capacitor.
Evaporator (Cube Control) Thermistor	<ul style="list-style-type: none"> <li>• Attach the new thermistor to the same location on the evaporator as the previous thermistor.</li> <li>• Smoothly fill the recessed area of the thermistor holder with high thermal conductive type sealant. Hoshizaki America part number 4A0683-01 (Silicone Heat Sink Compound 10-8108 manufactured by GC Electronics), KE-4560 RTV (manufactured by ShinEtsu Silicones), or equivalent are recommended.</li> <li>• Attach the new thermistor in position on the evaporator and press down the thermistor holder over the thermistor.</li> <li>• Be very careful to prevent damage to the leads.</li> </ul>

## V. Maintenance

The maintenance schedule below is a guideline. More frequent maintenance may be required depending on water quality, the appliance's environment, and local sanitation regulations

### **⚠ WARNING**

- Only qualified service technicians should service the appliance.
- To reduce the risk of electric shock, do not touch the control switch or plug with damp hands. Make sure the control switch is in the "OFF" position before plugging in or unplugging the appliance.
- Move the control switch to the "OFF" position and unplug the appliance from the electrical outlet before servicing.
- **CHOKING HAZARD:** Ensure all components, fasteners, and thumbscrews are securely in place after any maintenance is done to the appliance. Make sure that none have fallen into the storage bin.

### Maintenance Schedule

Frequency	Area	Task
Daily	Scoop	Clean the ice scoop using a neutral cleaner. Rinse thoroughly after cleaning.
Bi-Weekly	Air Filters	Inspect. Wash with warm water and neutral cleaner if dirty.
Monthly	External Water Filters	Check for proper pressure and change if necessary.
	Icemaker Exterior	Wipe down with a clean, soft cloth. Use a damp cloth containing a neutral cleaner to wipe off oil or dirt build up. Clean any chlorine staining (rust colored spots) using a non-abrasive cleanser.
Yearly	Icemaker and Dispenser Unit/Ice Storage Bin Liner	Clean and sanitize per the cleaning and sanitizing instructions provided in the instruction manual or maintenance label on the appliance.
	Water Supply Inlet	Close the icemaker water supply line shut-off valve and drain the water system. Clean the water supply inlet screen.
	Condenser	Inspect. Clean if necessary by using a brush or vacuum cleaner. More frequent cleaning may be required depending on location.
	Water Hoses	Inspect the water hoses and clean/replace if necessary.

## VI. Preparing the Appliance for Periods of Non-Use

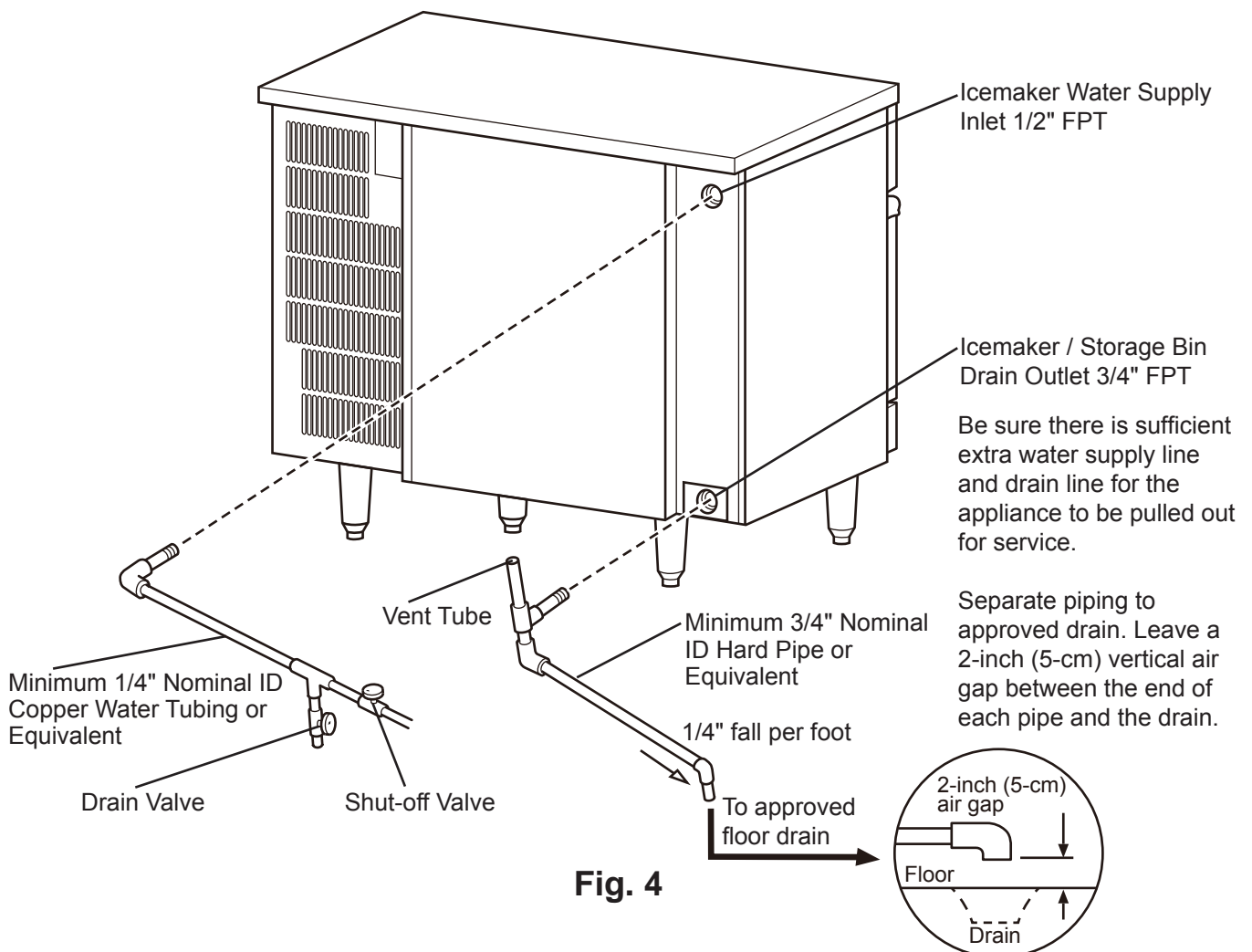
### NOTICE

- During extended periods of non-use, extended absences, or in sub-freezing temperatures, follow the instructions below to reduce the risk of costly water damage.
- To prevent damage to the water pump, do not leave the control switch in the "WASH" position for extended periods of time when the water tank is empty.

During extended periods of non-use, extended absences, or in sub-freezing temperatures, follow the instructions below. When the appliance is not used for two or three days under normal conditions, it is sufficient to move the control switch to the "OFF" position.

### 1. Remove the water from the icemaker water supply line:

- 1) Remove the front panel.
- 2) Move the control switch to the "OFF" position.
- 3) Close the icemaker water supply line shut-off valve and open the icemaker water supply line drain valve. See Fig. 4.



- 4) Allow the icemaker water supply line to drain by gravity.
- 5) Attach compressed air or carbon dioxide supply to the icemaker water supply line drain valve.
- 6) Move the control switch to the "ICE" position.
- 7) Blow the icemaker water supply line out using compressed air or carbon dioxide.

## 2. Drain the water tank:

- 1) Move the control switch to the "OFF" position and then unplug the appliance.
- 2) Remove the top panel, top insulation, and top sheet.
- 3) Remove the screw, and move the tank drain pipe to the drain position. See Fig. 3.
- 4) Replace the top sheet, top insulation, and top panel.
- 5) Close the icemaker water supply line drain valve.
- 6) Plug in the appliance and then move the control switch to the "ICE" position.
- 7) Press the the "RESET" button. See Fig. 2. The water tank will start to open.  
Note: This procedure is necessary to protect the icemaker from freezing up at subfreezing temperatures.
- 8) Move the control switch to the "OFF" position and then unplug the appliance when the water tank is fully opened.
- 9) Remove the top panel, top insulation, and top sheet.
- 10) Move the tank drain pipe to the normal position and then secure it with the screw. See Fig. 3.
- 11) Replace the top sheet, top insulation, top panel, and front panel.

---

## VII. Disposal

The appliance contains refrigerant and must be disposed of in accordance with applicable national, state, and local codes and regulations. Refrigerant must be recovered by properly certified service personnel.

### ***IMPORTANT***



The insulation foaming agent used for the unit body contains flammable gas cyclopentane. With this in mind, dispose of the product properly.

## VIII. Technical Information

We reserve the right to make changes in specifications and design without prior notice.

### A. Specification Data

#### 1. IM-200BAA

AC SUPPLY VOLTAGE	115/60/1		
AMPERAGE	7.6 A ( 5 Min. Freeze AT 104°F / WT 80°F)		
MINIMUM CIRCUIT AMPACITY	15 A		
MAXIMUM FUSE SIZE	15 A		
APPROXIMATE ICE PRODUCTION PER 24 HR.	Ambient Temp.(°F)	WATER TEMP. (°F)	
lbs./day ( kg/day )		50	70
Reference without *marks	70	*200 (91)	188 (85)
	80	191 (87)	173 (78)
	90	188 (85)	*160 (73)
	100	187 (85)	157 (71)
			90
			176 (80)
			163 (74)
			149 (68)
			*139 (63)
SHAPE OF ICE	Cube Ice Approx.28x28x32mm		
ICE PRODUCTION PER CYCLE	3.9 lbs. (1.78kg) 80 pcs.		
APPROXIMATE STORAGE CAPACITY	75 lbs. (34kg)		
ELECTRIC & WATER CONSUMPTION	90/70°F	70/50°F	
ELECTRIC W (kWH/100 lbs.)	550(8.30)	500(6.03)	
WATER gal./24HR (gal./100 lbs.)	37(23.0)	46(23.2)	
ENERGY STAR	YES		
EXTERIOR DIMENSIONS (WxDxH)	39.5" x 23.6" x 33.5" (1004 x 600 x 852 mm) Including 6" Adjustable legs		
EXTERIOR FINISH	Stainless Steel, Galvanized Steel (Rear)		
WEIGHT	Net 170 lbs. (77 kg), Shipping 203 lbs. (92 kg)		
CONNECTIONS - ELECTRIC	Cord Connection		
- WATER SUPPLY	Inlet	1/2" FPT	
- DRAIN	Outlet	3/4" FPT	
CUBE CONTROL SYSTEM	Thermistor and Timer		
HARVESTING CONTROL SYSTEM	Hot Gas, Thermistor and Timer		
ICE MAKING WATER CONTROL	Timer Controlled. Overflow Pipe		
COOLING WATER CONTROL	N/A		
BIN CONTROL SYSTEM	Mechanical Level Switch with Delay		
COMPRESSOR	Hermetic, Model SC15G		
CONDENSER	Air-Cooled, Fin and tube type		
EVAPORATOR	Cell type, Copper and Tin dipping		
REFRIGERANT CONTROL	Thermostatic Expansion Valve		
REFRIGERANT CHARGE	R-134a 10.2oz (290g)		
DESIGN PRESSURE	High 210PSIG, Low 110PSIG		
P.C. BOARD CIRCUIT PROTECTION	High Voltage Cut-out ( Internal )		
COMPRESSOR PROTECTION	Auto-reset Overload Protector ( Internal )		
REFRIGERANT CIRCUIT PROTECTION	Auto-reset High Pressure Control Switch		
LOW WATER PROTECTION	N/A		
ACCESSORIES -SUPPLIED	Ice Scoop, 6" Adjustable Leg(5pcs.)		
-REQUIRED	N/A		
OPERATING CONDITIONS	VOLTAGE RANGE	104 - 127 V	
	AMBIENT TEMP.	45 -100° F	
	WATER SUPPLY TEMP.	45 - 90° F	
	WATER SUPPLY PRESSURE	10 - 113 PSIG	

## B. Performance Data

Pressure data is recorded at 5 min. into freezing cycle. The data not in bold should be used for reference only.

### 1. IM-200BAA

APPROXIMATE ICE PRODUCTION PER 24 HR.	AMBIENT TEMP. (°F/°C)	WATER TEMP. (°F/°C)					
		50/10		70/21		90/32	
	70/21	<b>200</b>	<u>91</u>	188	<u>85</u>	176	<u>80</u>
	80/27	191	<u>87</u>	173	<u>78</u>	163	<u>74</u>
	90/32	188	<u>85</u>	<b>160</b>	<u>73</u>	149	<u>68</u>
lbs./day <u>kg./day</u>	100/38	187	<u>85</u>	157	<u>71</u>	<b>139</b>	<u>63</u>
APPROXIMATE ELECTRIC CONSUMPTION	70/21	<b>500</b>		515		531	
	80/27	511		534		548	
	90/32	515		<b>550</b>		566	
watts	100/38	517		554		<b>580</b>	
APPROXIMATE WATER CONSUMPTION PER 24 HR.	70/21	<b>46</b>	<u>0.18</u>	44	<u>0.16</u>	41	<u>0.15</u>
	80/27	44	<u>0.17</u>	40	<u>0.15</u>	37	<u>0.14</u>
	90/32	44	<u>0.16</u>	<b>37</b>	<u>0.14</u>	34	<u>0.13</u>
gal./day <u>m<sup>3</sup>/day</u>	100/38	40	<u>0.15</u>	36	<u>0.14</u>	<b>32</b>	<u>0.12</u>
FREEZING CYCLE TIME	70/21	<b>26</b>		28		32	
	80/27	28		31		36	
	90/32	28		<b>34</b>		38	
min.	100/38	29		35		<b>42</b>	
HARVEST CYCLE TIME	70/21	<b>3.5</b>		2.9		2.0	
	80/27	3.1		2.1		2.0	
	90/32	2.9		<b>1.5</b>		1.3	
min.	100/38	2.2		1.5		<b>1.2</b>	
HEAD PRESSURE	70/21	<b>107</b>	<u>7.5</u>	120	<u>8.4</u>	135	<u>9.5</u>
	80/27	117	<u>8.2</u>	137	<u>9.6</u>	150	<u>10.5</u>
	90/32	120	<u>8.4</u>	<b>151</b>	<u>10.6</u>	165	<u>11.6</u>
PSIG <u>kg/cm<sup>2</sup>G</u>	100/38	122	<u>8.6</u>	154	<u>10.8</u>	<b>178</b>	<u>12.5</u>
SUCTION PRESSURE	70/21	<b>10</b>	<u>0.7</u>	11	<u>0.7</u>	11	<u>0.8</u>
	80/27	10	<u>0.7</u>	11	<u>0.8</u>	12	<u>0.8</u>
	90/32	11	<u>0.7</u>	<b>12</b>	<u>0.8</u>	13	<u>0.9</u>
PSIG <u>kg/cm<sup>2</sup>G</u>	100/38	11	<u>0.7</u>	12	<u>0.9</u>	<b>13</b>	<u>0.9</u>
TOTAL HEAT OF REJECTION FROM CONDENSER		3,500 BTU/h [AT 90°F (32°C) / WT 70°F (21°C)]					
TOTAL HEAT OF REJECTION FROM COMPRESSOR		660 BTU/h [AT 90°F (32°C) / WT 70°F (21°C)]					

# C. Wiring Diagram

## 1. IM-200BAA

