



# HOSHIZAKI

## Parts List

Modular Cuber

Models  
IM-500SAB



[hoshizakiamerica.com](http://hoshizakiamerica.com)

Number: 71428  
Issued: 7-18-2019  
Revised: 2-15-2024

## CONTENTS

Auxiliary Codes.....	3
Note About Ordering Parts .....	3
A. Main Assembly & Refrigeration Circuit .....	4
B. Water Circuit & Mechanism Assembly .....	8
C. Control Box Assembly .....	12
D. Accessories & Labels .....	13

## **Auxiliary Codes**

### **IM-500SAB**

J-0 March 2019  
K-0 January 2020  
K-1 September 2020  
K-2 November 2020  
L-0 January 2021  
M-0 January 2022  
M-1 August 2022  
M-2 November 2022  
N-1 February 2023  
P-0 January 2024

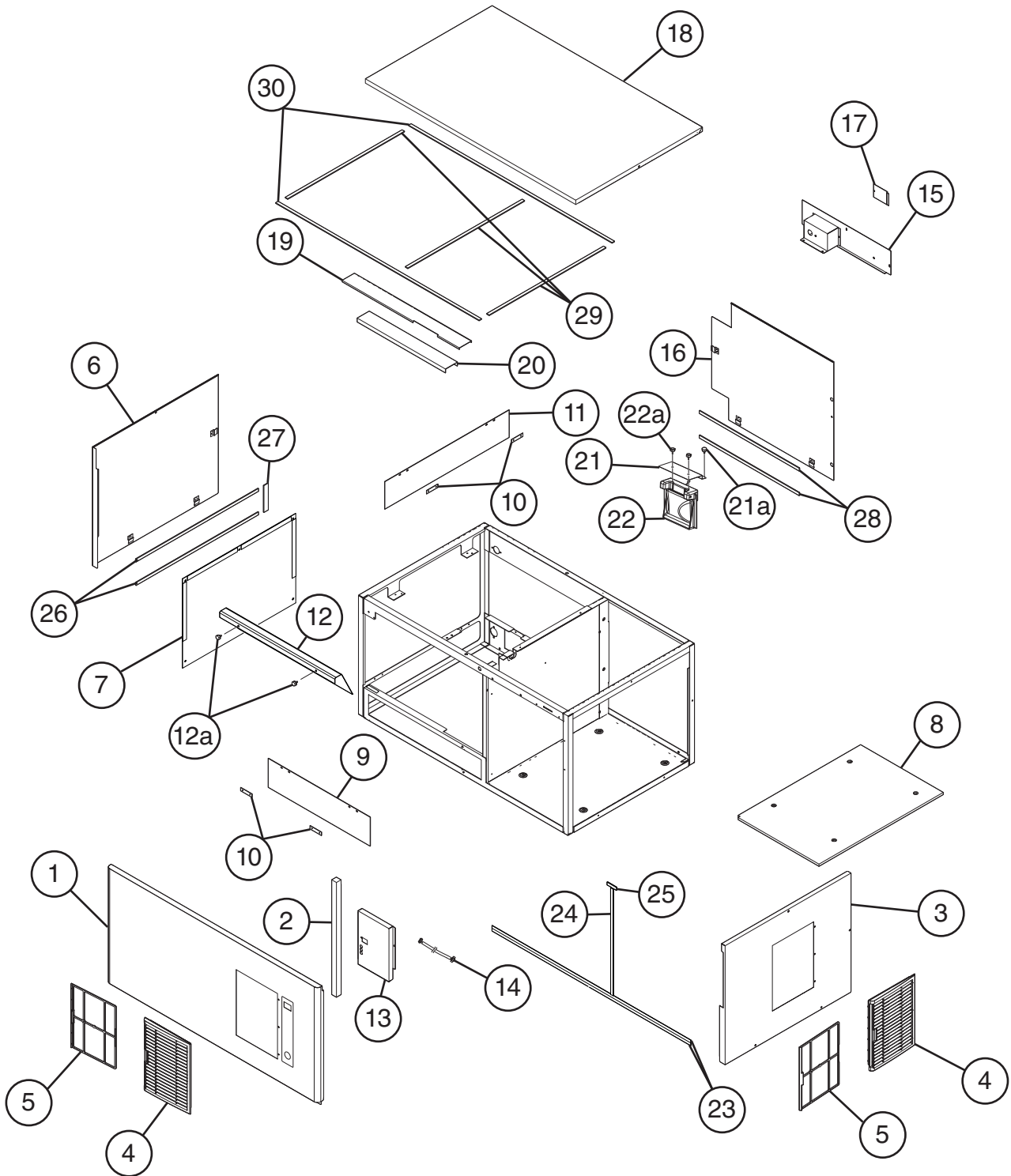
## **Auxiliary Code Breakdown**

The auxiliary code is the first two characters in the serial number. The first character indicates the year. Years progress or regress in alphabetical order. The series runs from "A" through "V" and the letters "I" and "O" are skipped. The second character indicates significant part changes within a year. Base is "0" and this number advances for each change. In cases where there is a letter in parentheses, this designates the month. This is the last character in the serial number. The series runs from "(A)" through "(M)" and the letter "(I)" is skipped. This designation is only included when identifying a parts change within an auxiliary code.

## **Note About Ordering Parts**

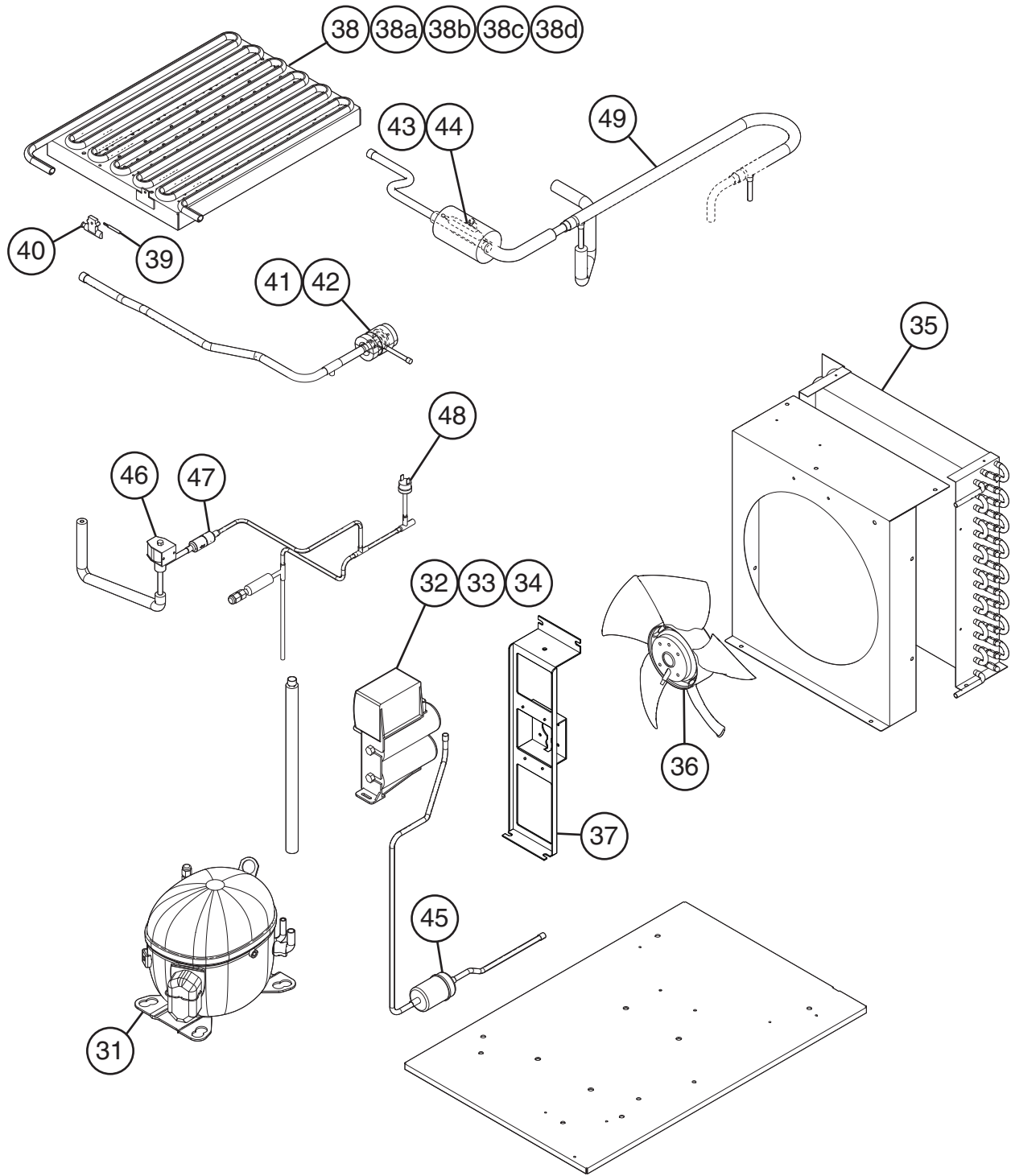
Most assemblies cannot be ordered as complete units; parts in the assemblies generally must be ordered separately.

**A. Main Assembly & Refrigeration Circuit**  
**IM-500SAB**  
**1/2**  
J-0 to P-0



**Main Assembly**

**A. Main Assembly & Refrigeration Circuit**  
**IM-500SAB**  
**2/2**  
J-0 to P-0



**Refrigeration Circuit**

Title: A. Main Assembly & Refrigeration Circuit Model: IM-500SAB										
Index No.	Description	Material or Model Number	Part Number	Required Number						
				J-0 (D)	J-0 (E) to L-0 (H)	L-0 (J) to P-0				
<b>Main Assembly</b>										
1	Front Panel Assembly (includes item 2 and all labels and 1 of item 4 and 5)		2A8984A01	1	1	-				
			2B0094A01			1				
2	Front Insulation Separator		4Y6575P02	1	1	1				
3	Right Side Panel (includes 1 of item 4 and 5)		3B0091A01	1	1	1				
4	Louver		1A0548-01	1	2	2				
5	Air Filter		2A2063G01	1	2	2				
6	Left Side Panel		3B0095G01	1	1	1				
7	Separator		483781G01	1	1	1				
8	Chassis Insulation (refrigeration circuit base)		476401P01	1	1	1				
9	Shield A		377294P01	1	1	1				
10	Shield Plate		477674M01	4	4	4				
11	Shield B		377296P01	1	1	1				
12	Cube Guide		3B0321-01	1	1	1				
12a	Thumbscrew		415949G10	2	2	2				
13	Control Box Cover		376269M01	1	1	1				
14	Wire Harness		264542S--	1	1	1				
15	Upper Rear Panel		3B0050G01	1	1	1				
16	Lower Rear Panel		3B0094G01	1	1	1				
17	Junction Box Cover		433410-01	1	1	1				
18	Top Panel		1A5445-01	1	1	1				
19	Connector Guide A		312762-01	1	1	1				
20	Connector Guide B		4H5619-01	1	1	1				
21	Bin Control Mounting Bracket		3B1485-01	1	1	1				
21a	Thumbscrew		415949G10	2	2	2				
22	Bin Control		2A8598G01	1	1	1				
22a	Thumbscrew		415949G10	2	2	2				
23	Gasket (Frame)	1055 mm	4A0808L02	2	2	2				
24	Gasket (Frame)	490 mm	4A0808L02	1	1	1				
25	Gasket (Frame)	50 mm	4A0808L02	1	1	1				
26	Gasket (Frame)	650 mm	4A0808L02	2	2	2				
27	Gasket (Frame)	120 mm	4A0808L02	1	1	1				
28	Gasket (Frame)	530 mm	4A0808L02	2	2	2				
29	Gasket (Frame)	620 mm	4A0808L02	3	3	3				
30	Gasket (Frame)	1080 mm	4A0808L02	2	2	2				

Title: A. Main Assembly & Refrigeration Circuit Model: IM-500SAB										
Index No.	Description	Material or Model Number	Part Number	Required Number						
				J-0 (D)	J-0 (E) to L-0 (H)	L-0 (J) to P-0				
<b>Refrigeration Circuit</b>										
31	Compressor		P04980-01	1	1	1				
32	Start Relay		P02866-01	1	1	1				
33	Run Capacitor	35MFD, 400VAC	P02699-01	1	1	1				
34	Start Capacitor	243-292MFD, 250VAC	P02867-01	1	1	1				
35	Condenser		P03406-01	1	1	1				
36	Condenser Fan Motor (includes fan blade)		P02596-01	1	1	1				
37	Condenser Fan Bracket		3B0062A01	1	1	1				
38	Evaporator		2H7526G01	1	1	1				
38a	Collar		3H3879-01	4	4	4				
38b	Screw		4Y4922M02	4	4	4				
38c	Washer		4H0777-01	4	4	4				
38d	Hex Flange Nut		7J02-0600	8	8	8				
39	Thermistor		P00350-01	1	1	1				
40	Thermistor Holder		315479-01	1	1	1				
41	Thermostatic Expansion Valve		453008-01	1	-					
			4A6938-01		1	1				
42	Thermostatic Expansion Valve Cover		3Y3196P01	1	1	1				
43	Thermostatic Expansion Valve Bulb Holder		3A0112-01	1	1	1				
44	Clamp		443461-01	1	1	1				
45	Drier		4A1113-01	1	1	1				
46	Hot Gas Valve		464103-01	1	1	1				
47	Strainer		441569-02	1	1	1				
48	High-Pressure Switch		463180-04	1	1	1				
49	Heat Exchanger		386557G01	1	1	1				

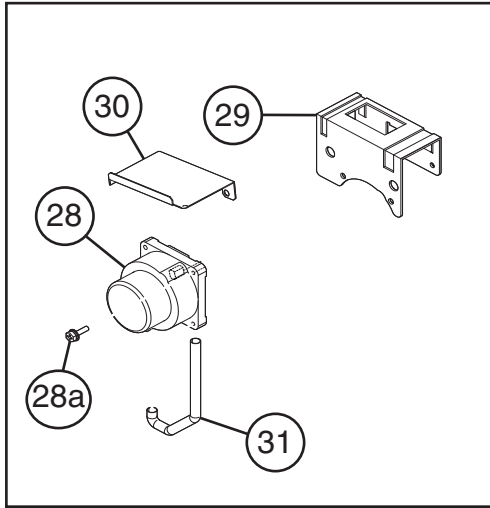
# B. Water Circuit & Mechanism Assembly

## IM-500SAB

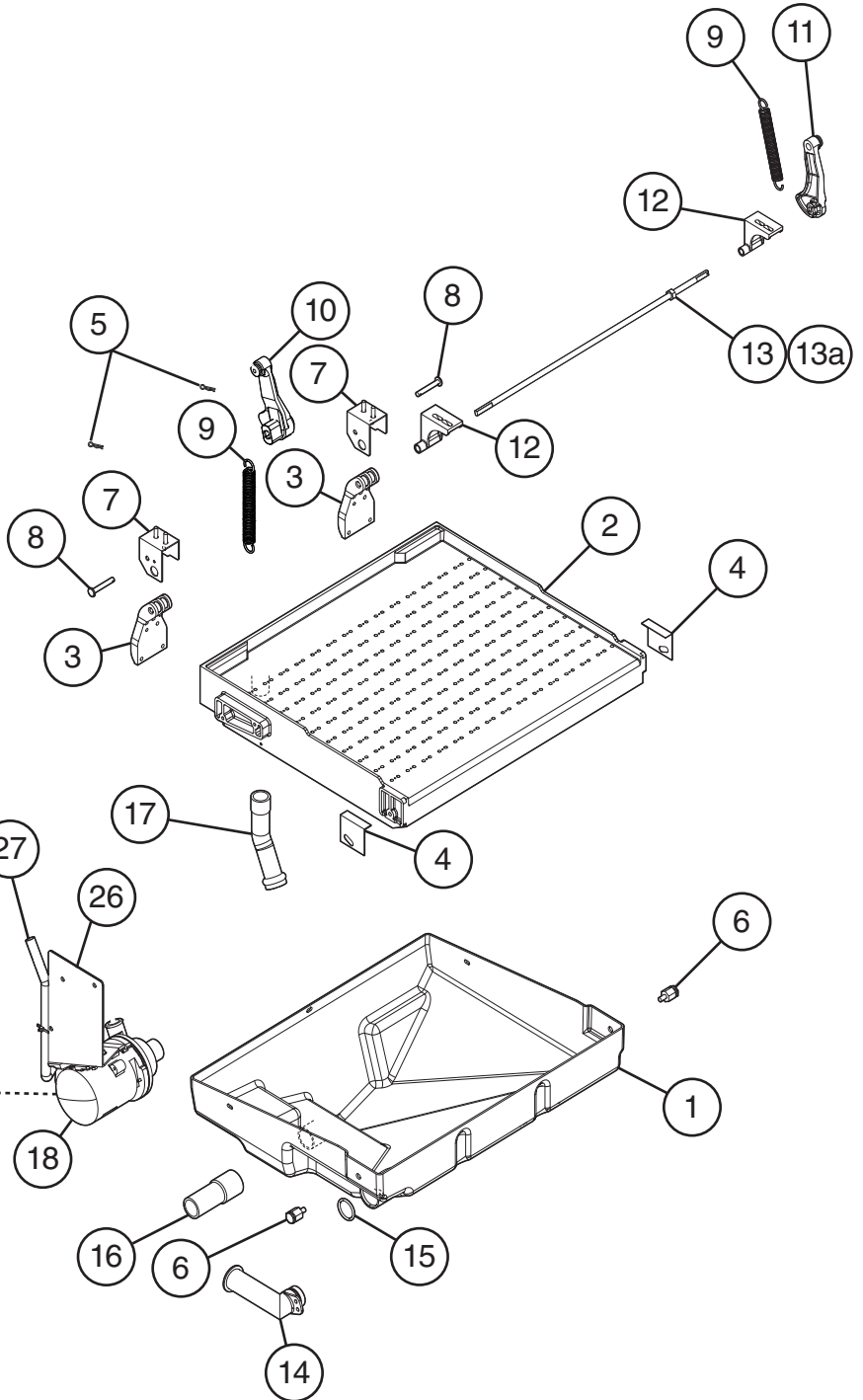
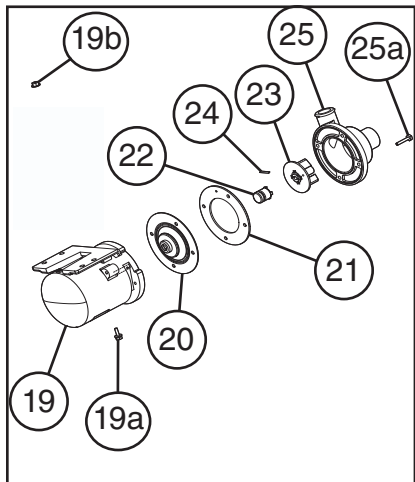
1/2

J-0 to P-0

### Actuator Motor Assembly



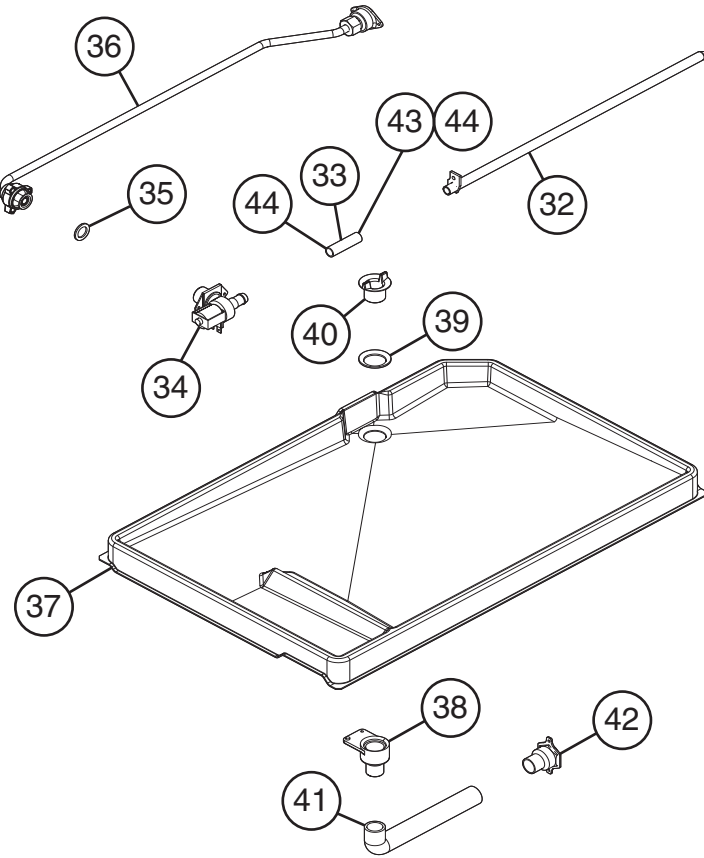
### Pump Motor Assembly



### Mechanism Assembly



**B. Water Circuit & Mechanism Assembly**  
**IM-500SAB**  
**2/2**  
J-0 to P-0

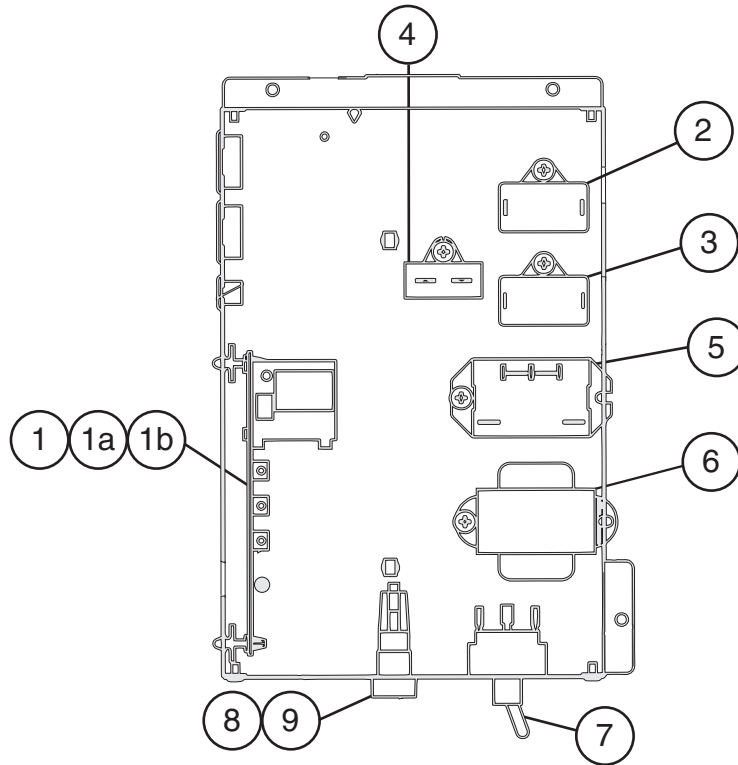


**Water Circuit**

Title: <b>B. Water Circuit &amp; Mechanism Assembly</b> Model: <b>IM-500SAB</b>										
Index No.	Description	Material or Model Number	Part Number	Required Number						
				J-0 to K-0 (H)	K-0 (J) to K-1	K-2 to P-0				
1	Water Pan		1H0888-02	1	1	1				
2	Water Plate		208020G01	1	1	1				
3	Water Pan Hanger		3H2059-01	2	2	2				
4	Water Pan Bracket		402957-01	2	2	2				
5	Snap In		715S-0006	2	2	2				
6	Boss Holder		4H2582G01	2	2	2				
7	Bearing Plate		3H1440G03	2	2	2				
8	Shaft B		4H1184-02	2	2	2				
9	Spring		4H3473-01	2	2	2				
10	Cam A		306543G04	1	1	1				
11	Cam B		376546P01	1	1	1				
12	Cam Shaft Bearing		3X8307-02	2	2	2				
13	Cam Shaft		425511G02	1	1	1				
13a	Cotter Pin		711S-0212	1	1	1				
14	Drain Pipe		315530-01	1	1	1				
15	O-Ring		7611-G025	1	1	1				
16	Suction Tube		4Y6641R01	1	1	1				
17	Discharge Tube		4Y6642R01	1	1	1				
18	Pump Motor Assembly (includes items 19 through 25a)		261541A01	1	1	1				
19	Pump Motor		2A2758-01	1	1	1				
19a	Hex Head Bolt		7B0230412	4	4	4				
19b	Flange Nut		7J02-0400	4	4	4				
20	Pump Flange		3A2988-01	1	1	1				
21	Pump Gasket		4A2974-01	1	1	1				
22	Mechanical Seal		465627-01	1	1	-				
			465627-03			1				
23	Impeller		433522-01	1	1	1				
24	Pin		4A0648-01	1	1	1				
25	Pump Housing		261284P01	1	1	1				
25a	Screw	4x20	4A3871-01	4	4	4				
26	Pump Motor Bracket		3B0111-01	1	1	1				
27	Pump Motor Tube	1050 mm	8104-0004	1	1	1				
28	Actuator Motor		P02382-01	1	1	1				
28a	Hex Head Bolt	6x20	FBK0620S0	2	2	2				
29	Actuator Motor Bracket		3Y2924M01	1	1	1				
30	Actuator Motor Shield		476684M01	1	1	1				
31	Actuator Motor Tube		8104-0003	1	1	1				
32	Water Supply Pipe		376015G01	1	1	1				
33	Silicon Hose	50 mm	7730I3812	1	1	1				
34	Inlet Water Valve	<b>SP-5616</b>	P01559-01	1	-					
			4A6722-03		1	1				
35	Rubber Gasket		413854-03	1	1	1				
36	Water Supply Pipe A		376037A01	1	1	1				
37	Drain Pan		208186-01	1	1	1				
38	Drain Pipe		376019P01	1	1	1				
39	Packing		413857-02	1	1	1				

Title: <b>B. Water Circuit &amp; Mechanism Assembly</b> Model: <b>IM-500SAB</b>											
Index No.	Description	Material or Model Number	Part Number	Required Number							
				J-0 to K-0 (H)	K-0 (J) to K-1	K-2 to P-0					
40	Drain Flange		418296-01	1	1	1					
41	Hose B		436599-01	1	1	1					
42	Drain Fitting		477775G01	1	1	-					
			4A5527-02			1					
43	Hose Clamp	13.5 mm	427443-07	1	-						
44		15 mm	435934-03	1	2	2					

**C. Control Box Assembly**  
**IM-500SAB**  
 J-0 to P-0

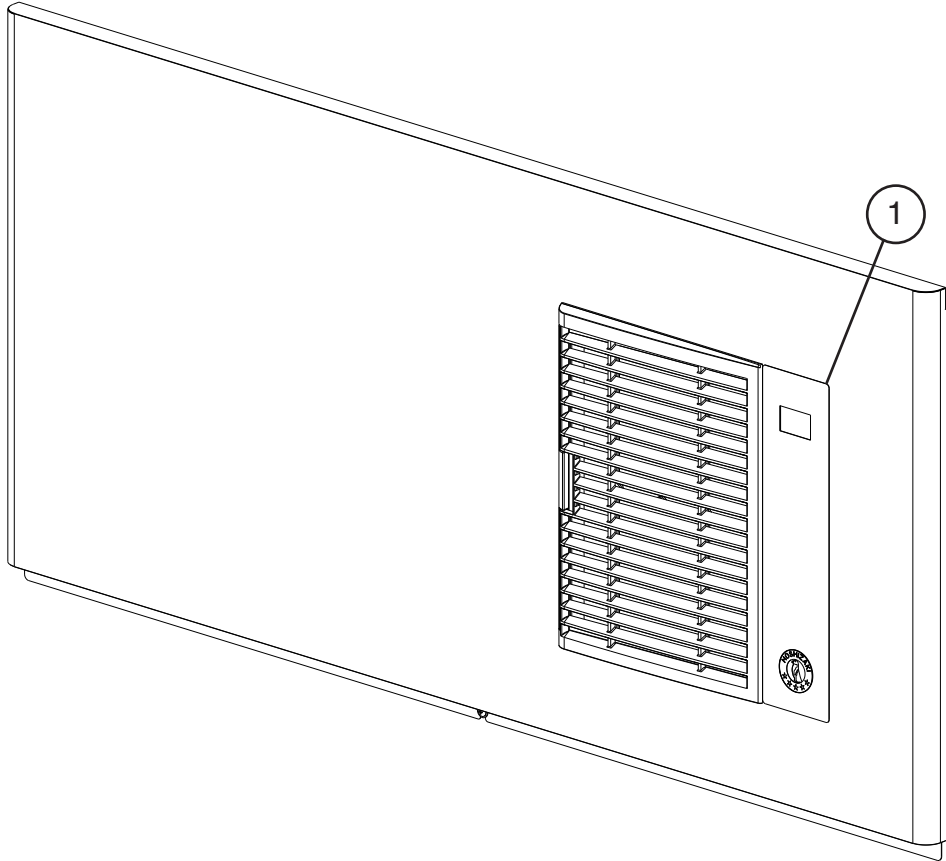


Title: B. Control Box Assembly Model: IM-500SAB				Required Number								
Index No.	Description	Material or Model Number	Part Number	J-0 to M-0	M-1 to P-0							
				1	Control Board		P01873-01	1	1			
1a	Control Board Support		P04204-01	4	4							
1b	Control Board Fuse	1A-6.3A, 250VAC	P01873F01	1	1							
2	Fan Motor Capacitor	6MFD, 220VAC	443158-02	1	1							
3	Pump Motor Capacitor	5.5MFD, 250VAC	4A6435-03	1	1							
4	Actuator Motor Capacitor	0.8MFD, 450VAC	P06515-01	1	1							
5	Compressor Relay	120VAC	4A3140-01	1	1							
6	Control Transformer		3A4395-01	1	1							
7	Toggle Switch		P00033-01	1	-							
			443119-01		1							
8	Fuse Holder		P02829-01	1	1							
9	Fuse	AGC-5A, 250VAC	P04203-01	1	1							

## D. Accessories & Labels

### IM-500SAB

J-0 to P-0



Title: D. Accessories & Labels Model: IM-500SAB										
Index No.	Description	Material or Model Number	Part Number	Required Number						
				J-0 to P-0						
1	Operation Label		376391L01	1						
2	Mounting Bracket		4A6437-01	2						
3	Hex Head Bolt	5x12	7B0230512	2						