



# HOSHIZAKI

## Parts List

Crescent Cuber

Model

KM-115BAJ



[hoshizakiamerica.com](http://hoshizakiamerica.com)

Number: F117-4274  
Issued: 11-2019

## **Auxiliary Codes**

**KM-115BAJ**      G-1      April 2017

### **Auxiliary Code Breakdown**

The auxiliary code is the first two characters in the serial number. The first character indicates the year. Years progress or regress in alphabetical order. The series runs from "A" through "V" and the letters "I" and "O" are skipped. The second character indicates significant part changes within a year. Base is "0" and this number advances for each change. In cases where there is a letter in parentheses, this designates the month. This is the last character in the serial number. The series runs from "(A)" through "(M)" and the letter "(I)" is skipped. This designation is only included when identifying a parts change within an auxiliary code.

### **Note About Ordering Parts**

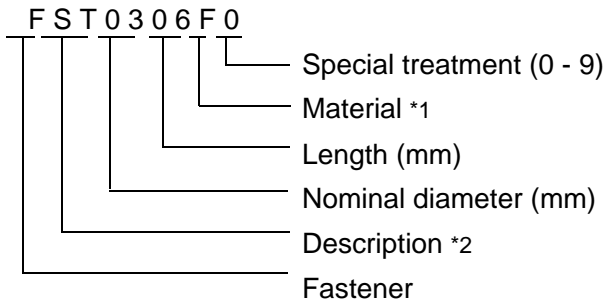
Most assemblies cannot be ordered as complete units; parts in the assemblies generally must be ordered separately.

## MARKS LOCATED UNDER THE AUXILIARY CODE

- = Part deleted.
- x = Part deleted and replaced by "o" part.
- o = New part in place of "x" part.

## FASTENER PART NUMBER

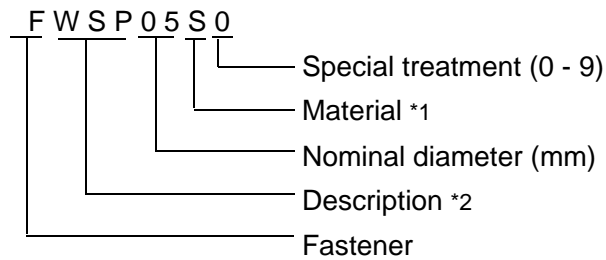
### SCREWS



\*1 Material

- F: Steel
- S: Austenitic stainless steel
- M: Martensitic stainless steel
- B: Copper alloy
- P: Polycarbonate
- N: Polyamide
- V: PVC
- A: ABS
- X: Polyacetal
- L: Aluminum

### NUTS & WASHERS



\*2 Description

- First letter
- S: Machine screw
- T: Tapping screw
- M: Wood screw
- B: Bolt
- W: Washer
- N: Nut

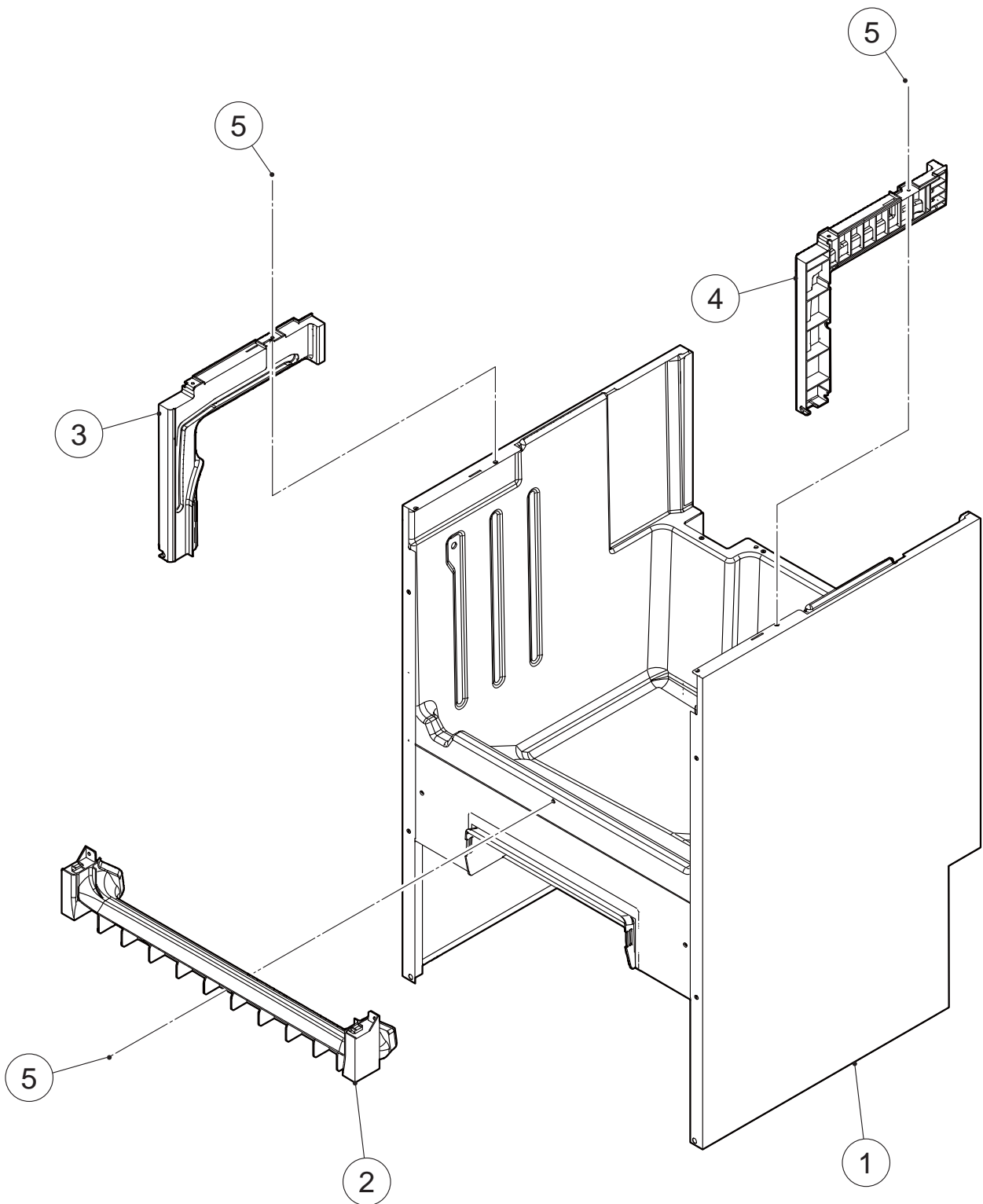


HA

MODEL: <b>KM-115BAJ</b>								TITLE: <b>A. ICE CUBER ASSY</b>			
INDEX NO.	DESCRIPTION	MATERIAL OR MODEL NUMBER	PART NUMBER	REQ'D NUMBER							
				G-1							
B	BODY		124944A01	1							
C	ICE MAKING MECHANISM		124946A01	1							
D	MECHANICAL BIN SWITCH		371151A01	1							
E	WATER CIRCUIT ASSY		270895A01	1							
F	REFRIGERATION CIRCUIT		124955A01	1							
G	CONTROL BOX ASSY		252005A08	1							
H	LABEL LOCATION		270888A01	1							
J	ACCESSORIES		A03347-01	1							
1	TRUSS HEAD TAPPING SCREW T2		FT20412M0	2							
2	GROMMET/PIPE(C)	SANTOPRENE	470311-01	1							
3	GROMMET/PIPE(B)	SANTOPRENE	470310-01	1							
4	GROMMET/PIPE(A)	SANTOPRENE	470309-01	1							
5	T2 TRUSS HEAD SCREW		FT20408M0	8							
6	T2 TRUSS HEAD SCREW		FT20410M0	4							
7	AIR GUARD		470302-02	1							
8	HEX. TAPPING SCREW W - FLANGE		P01572-01	4							
9	FRONT PANEL		384404G01	1							
10	TRUSS HEAD TAPPING SCREW T2		FT20410S0	6							
11	DOOR	Replace together with 4 pieces of No.12 COLLAR	369051G01	1							
12	COLLAR		481481P02	4							
13	BRACE - RAIL		384405M01	1							
14	LOUVER		117635-01	1							
15	AIR FILTER		250727G01	1							
16	COVER - PIPE		368305-01	1							
17	T2 TRUSS HEAD SCREW		FT20408F0	6							
18	RAR COVER		368312-01	1							
19	REAR PANEL		370654M01	1							
20	POWER SUPPLY CORD	KP-30B SJT#16AWG	P00004-01	1							
21	BUSHING	SR-7K-2	420472-02	1							
22	CLAMP		427902-02	4							
23	TWIST HOLDER		P00424-01	1							
24	INSULATION/DRAIN		4Y4319Z01	1							
25	SEAL - OVERFLOW		4Y4321P01	1							

HA

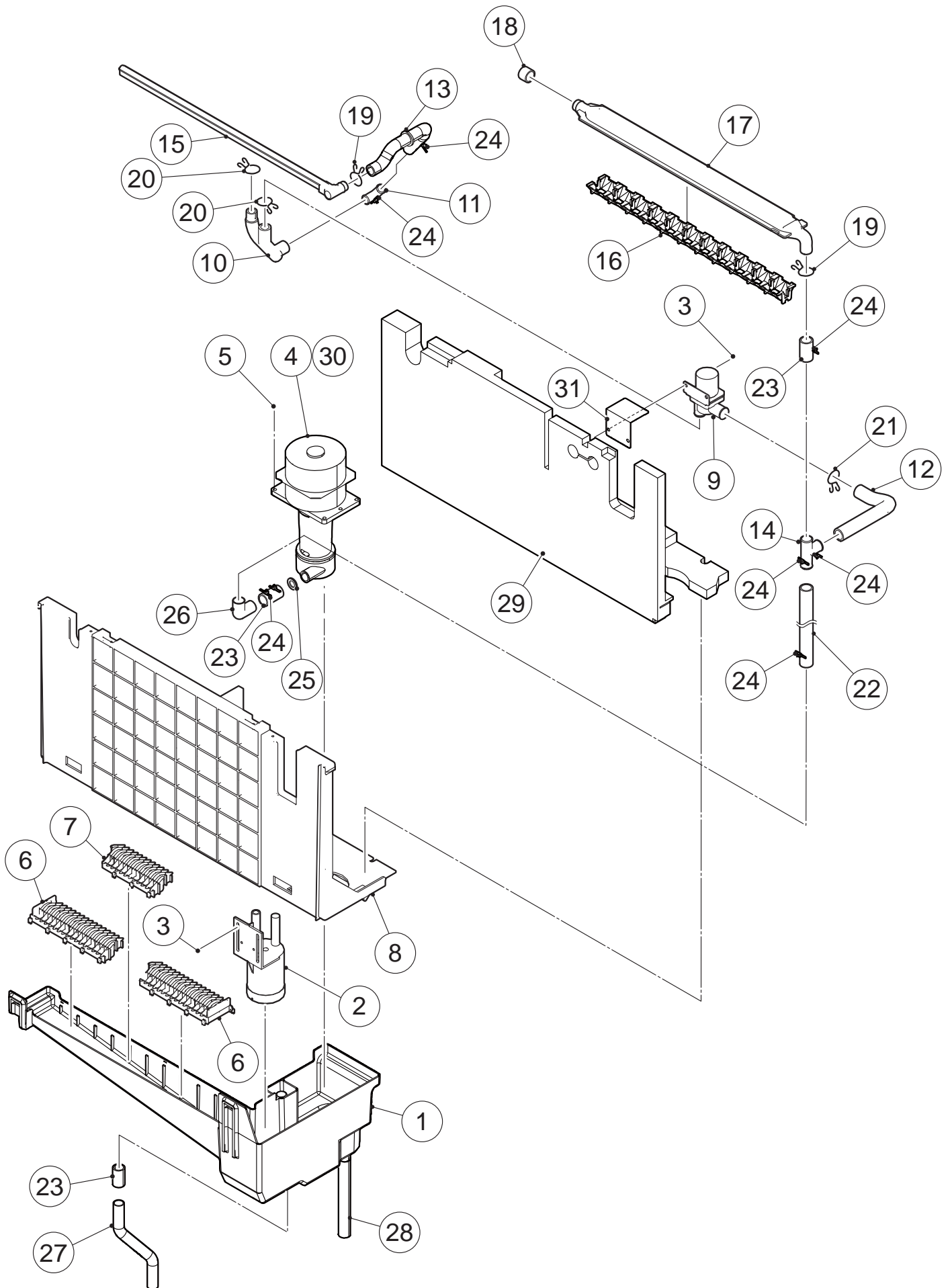
MODEL: <b>KM-115BAJ</b>		TITLE: <b>A. ICE CUBER ASSY</b>					
INDEX NO.	DESCRIPTION	MATERIAL OR MODEL NUMBER	PART NUMBER	REQ'D NUMBER			
				G-1			
26	GUIDE-DRAIN		4Y0191-01	2			
27	TRUSS HEAD SCREW		FST0408S0	2			
28	SPRING WASHER		FWSP04S0	2			
29	TOP PANEL ASSY		389182A07	1			



HA

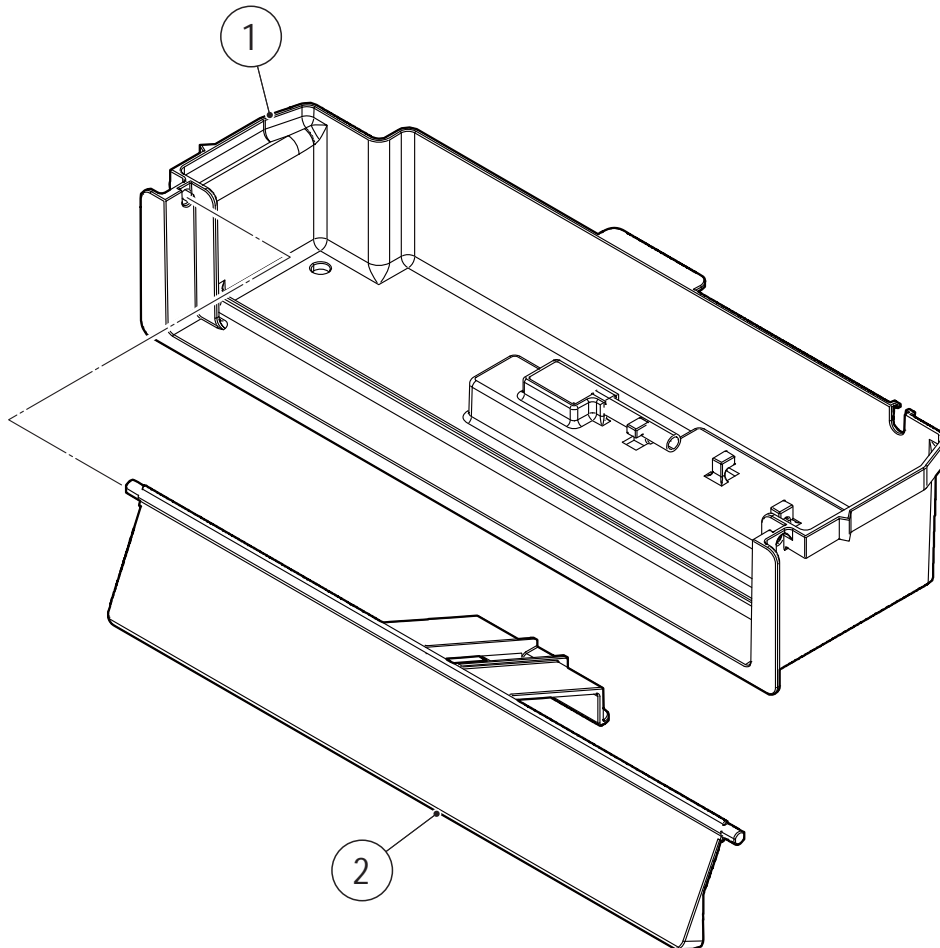
MODEL: <b>KM-115BAJ</b>		TITLE: <b>B. BODY</b>					
INDEX NO.	DESCRIPTION	MATERIAL OR MODEL NUMBER	PART NUMBER	REQ'D NUMBER			
				G-1			
1	BODY ASSY		124945G01	1			
2	FRONT FRAME		250745-01	1			
3	RAIL (L)		124933P01	1			
4	RAIL (R)		124932P01	1			
5	TRUSS HEAD TAPPING SCREW T2		FT20410S0	3			





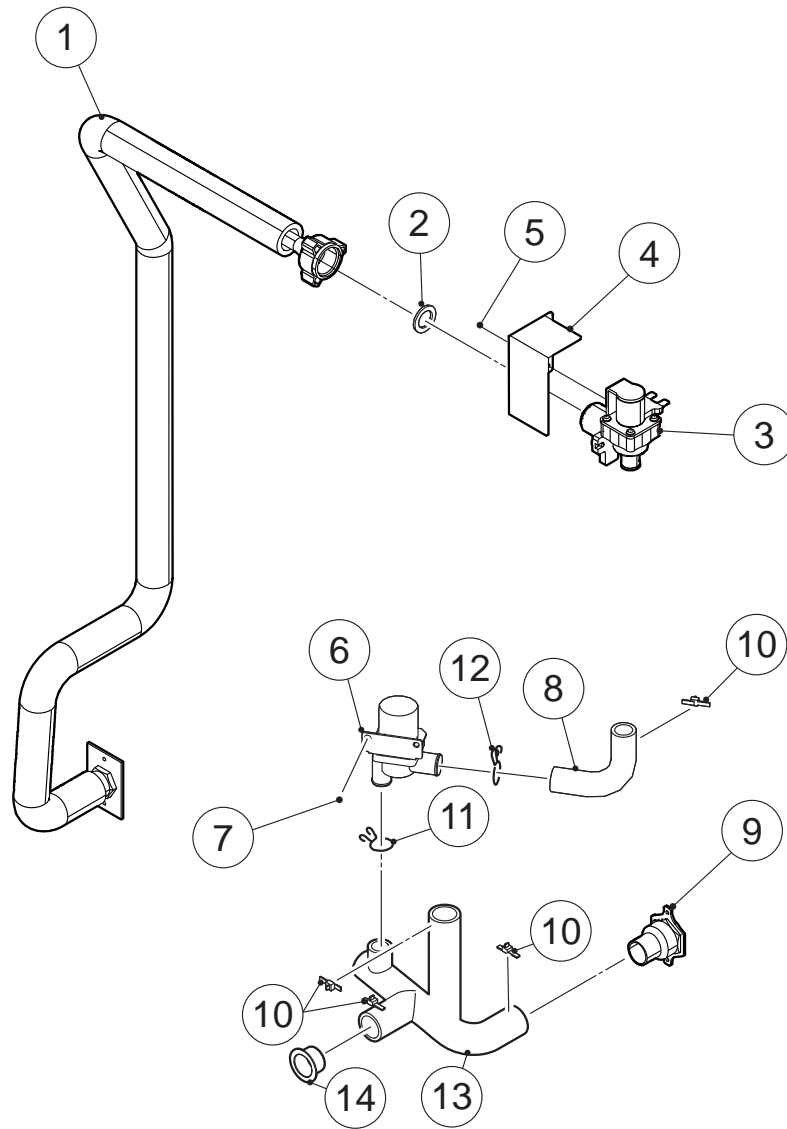
HA

MODEL: <b>KM-115BAJ</b>		TITLE: <b>C. ICE MAKING MECHANISM</b>					
INDEX NO.	DESCRIPTION	MATERIAL OR MODEL NUMBER	PART NUMBER	REQ'D NUMBER			
				G-1			
1	WATER TANK		117638-01	1			
2	FLOAT SWITCH		4A3624-04	1			
3	T2 TRUSS HEAD SCREW		FT20410M0	2			
4	PUMP MOTOR (G)		384346G01	1			
5	T2 TRUSS HEAD SCREW		FT20416M0	1			
6	CUBE GUIDE (A)		250742-01	2			
7	CUBE GUIDE(B)		250741-01	1			
8	BRACKET/ICE MAKING		117631-01	1			
9	CLEANING VALVE (G)		384353G01	1			
10	WATER SUPPLY PIPE (A)		384395R01	1			
11	ELBOW		470303-01	1			
12	BYPASS HOSE		374229R01	1			
13	WATER SUPPLY HOSE (B)		374228R01	1			
14	TEE		470312-01	1			
15	WATER SUPPLY TUBE		250743-01	1			
16	SPRAY GUIDE		252052P01	1			
17	SPRAY TUBE		250746-01	1			
18	SPRAY TUBE CAP		370777R01	1			
19	HOSE CLAMP	16.5mm SUS	P02909-04	2			
20	HOSE CLAMP	18mm SUS	P02909-05	2			
21	HOSE CLAMP	20mm SUS	P02909-06	1			
22	SI HOSE	L=280 14 DIA x 18 DIA (CLEAR)	H11418280	1			
23	SI HOSE	L=30 14 DIA x 18 DIA (CLEAR)	H11418030	3			
24	TIE		7920-0002	9			
25	ORIFICE		4Y4194P02	1			
26	ELBOW		417703-01	1			
27	PIPE-OVERFLOW		369038P02	1			
28	SI HOSE	L=150 14 DIA x 18 DIA	H11418150	1			
29	INSULATION - MECHANISM		256826P01	1			
30	BAG		4X1559-01	1			
31	COVER-DRAIN		482837M01	1			

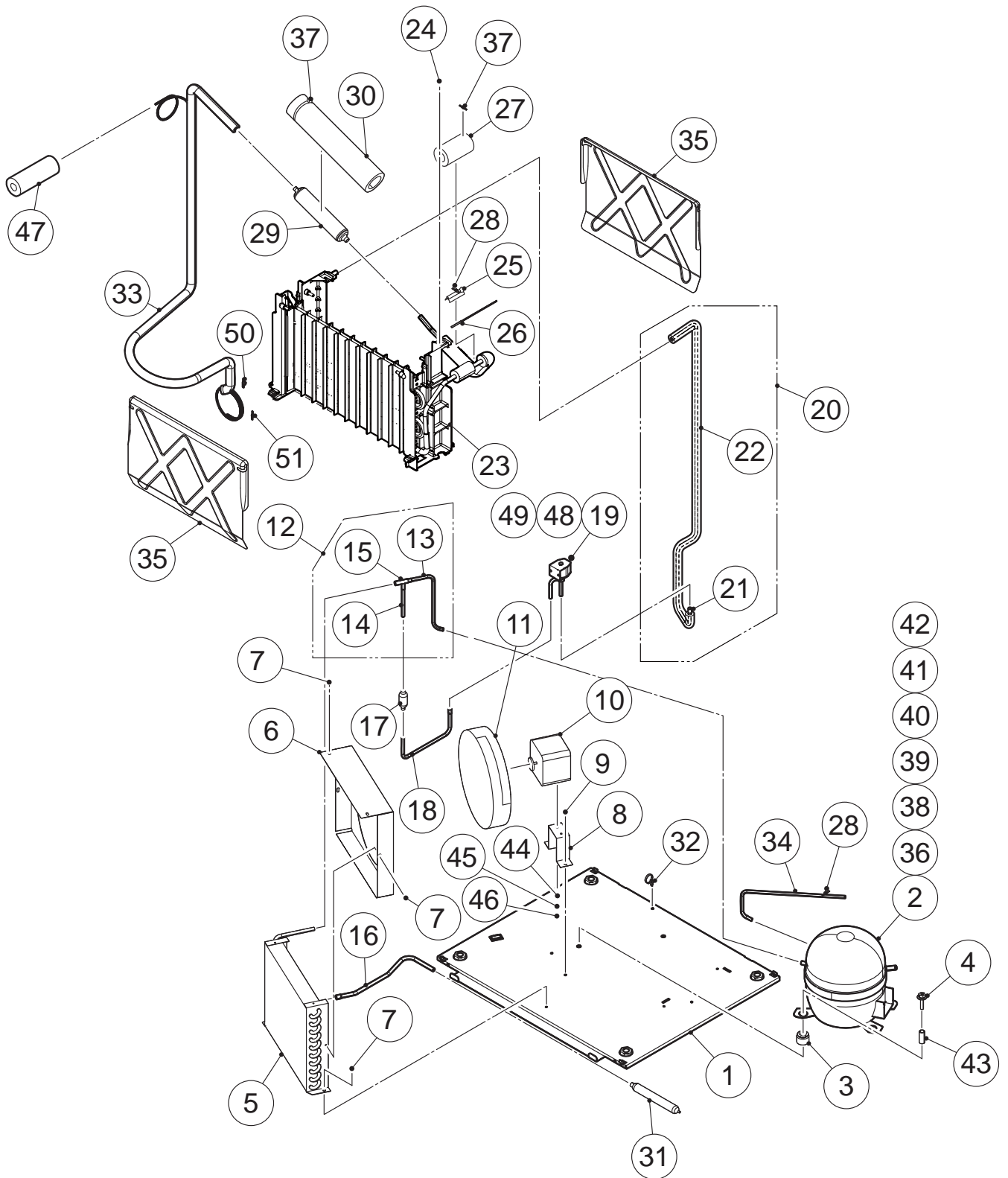


HA

MODEL: <b>KM-115BAJ</b>		TITLE: <b>D. MECHANICAL BIN SWITCH</b>					
INDEX NO.	DESCRIPTION	MATERIAL OR MODEL NUMBER	PART NUMBER	REQ'D NUMBER			
1	MECHANICAL SWITCH CASE		371153G01	1			
2	DETECTOR		371152G01	1			





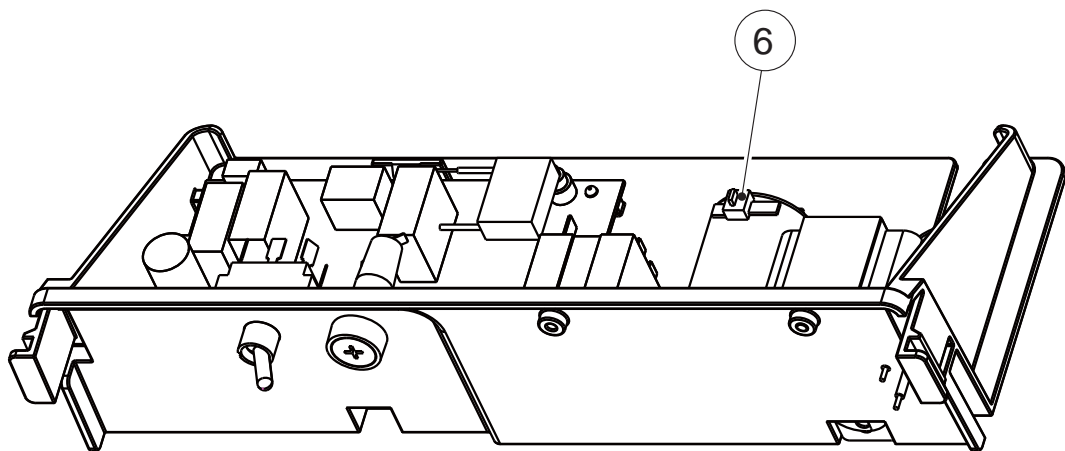
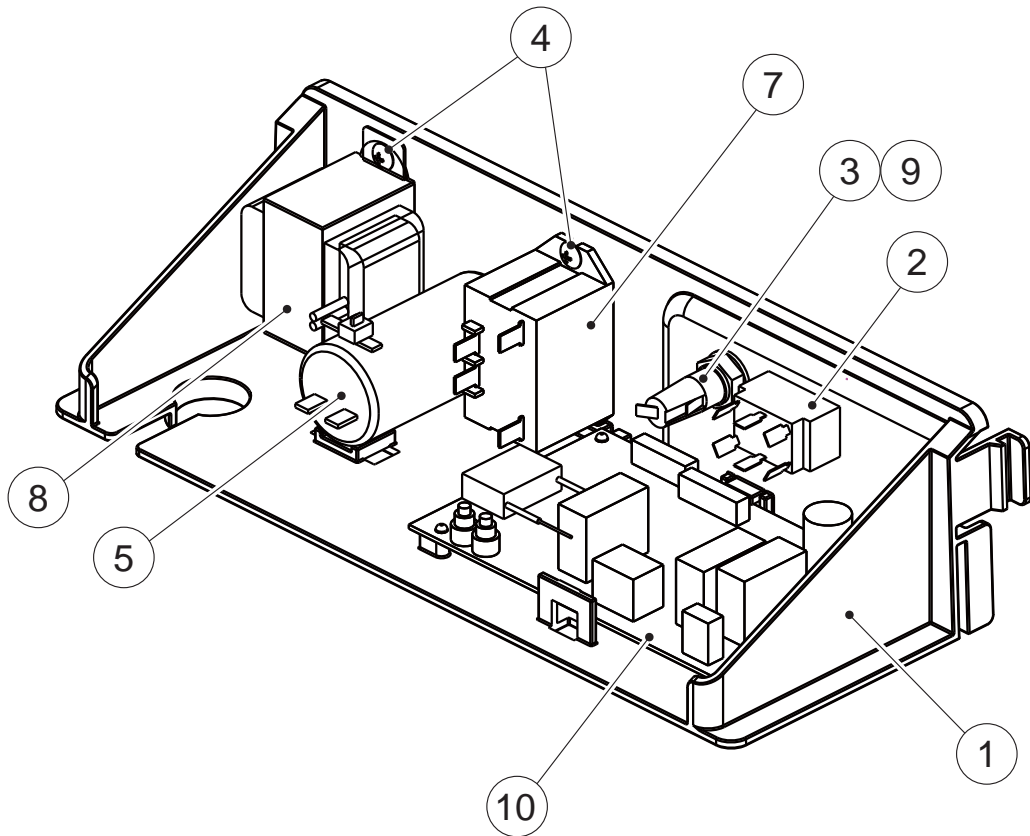


HA

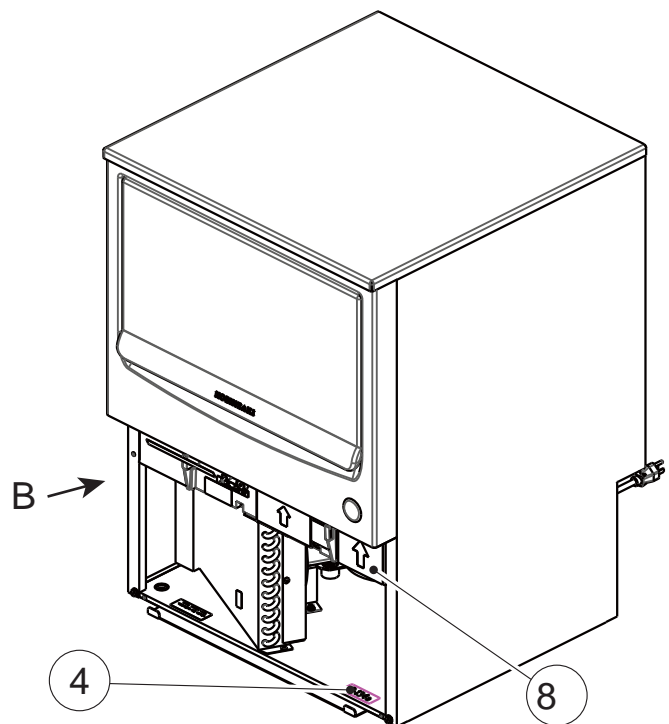
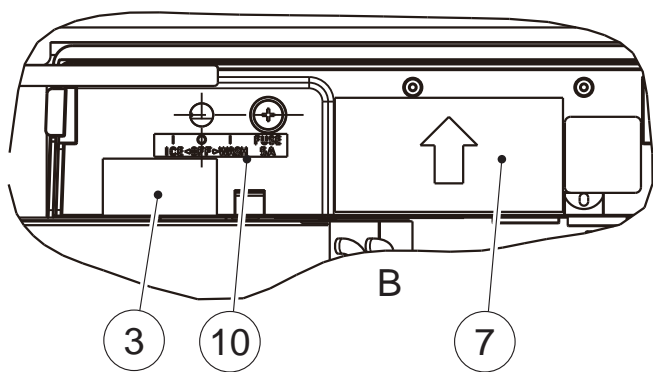
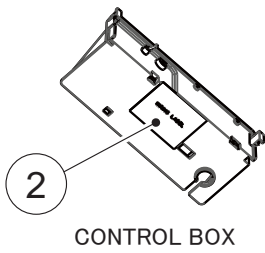
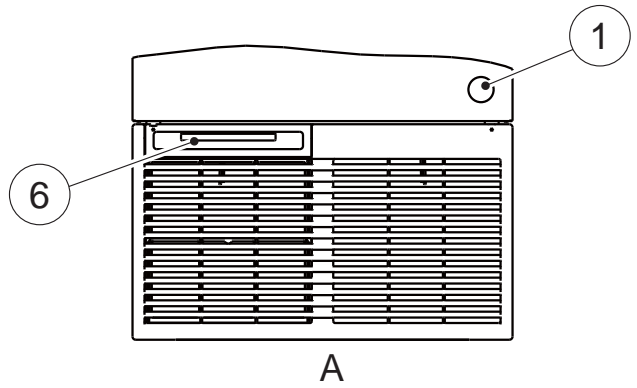
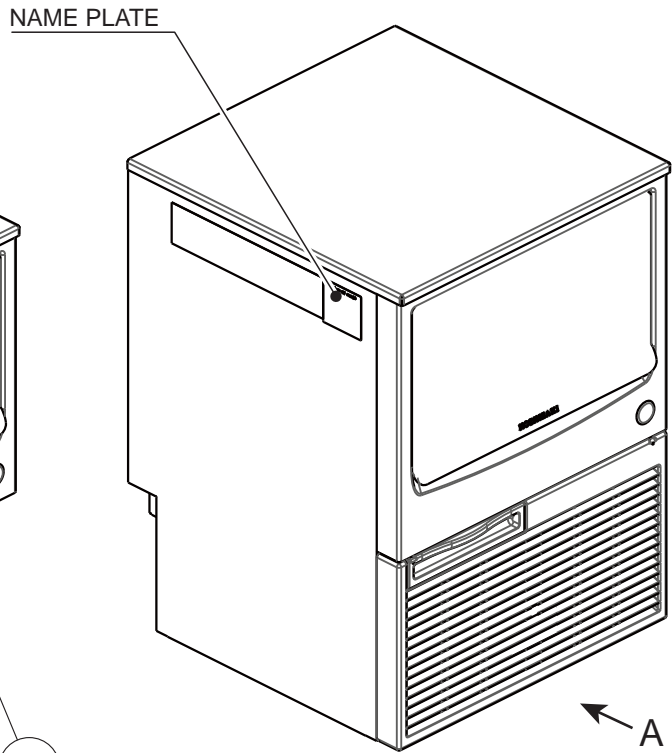
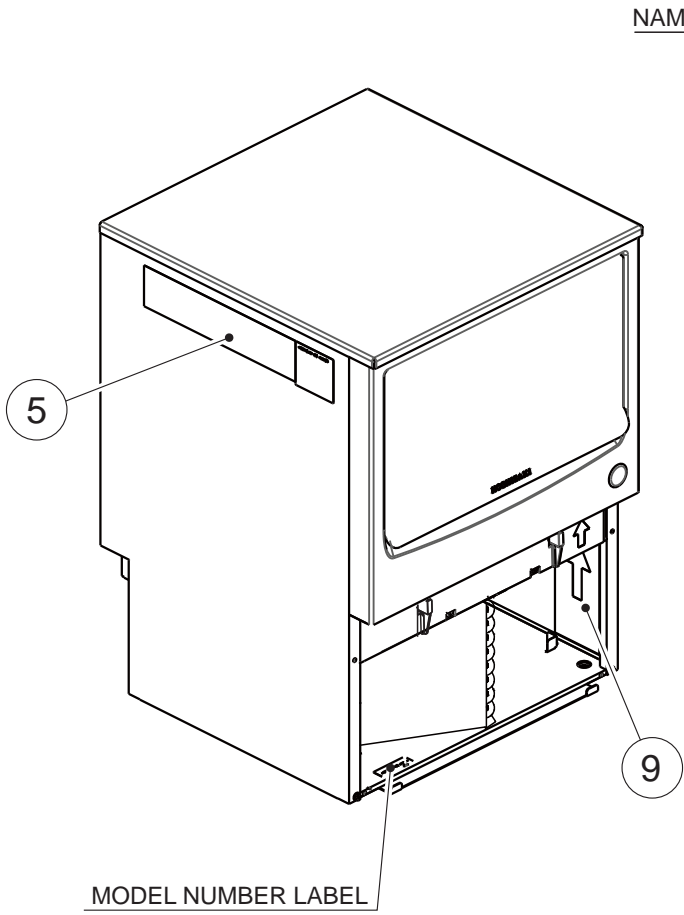
MODEL: <b>KM-115BAJ</b>		TITLE: <b>F. REFRIGERATION CIRCUIT</b>					
INDEX NO.	DESCRIPTION	MATERIAL OR MODEL NUMBER	PART NUMBER	REQ'D NUMBER			
				G-1			
1	BASE		370283G01	1			
2	COMPRESSOR	QA91K22CAU6-E0G	P00024-01	1			
3	RUBBER GROMMET	01-245970	463983-01	4			
4	BOLT	8x35	436206-03	2			
5	CONDENSER-AIR COOLED		P00028-01	1			
6	SHROUD		368318-01	1			
7	T2 TRUSS HEAD SCREW		FT20408F0	5			
8	BRACKET/FM		470291-01	1			
9	HEX HEAD BOLT (SPRING WASHER AND FLAT WASHER)		FBK0512S0	2			
10	FAN MOTOR (G)		384356G01	1			
11	FAN BLADE	200 DIA (22°)	P00006-01	1			
12	COPPER TUBE/H		370320G01	1			
13	COPPER TUBE/H-1		370311M01	1			
14	COPPER TUBE/H-2		470300-01	1			
15	TEE		420041-03	1			
16	COPPER TUBE/H-4		471937M01	1			
17	STRAINER		P00008-01	1			
18	COPPER TUBE/H-3		471936M01	1			
19	VALVE BODY		4A3275-01	1			
20	COPPER TUBE - HOT GAS		370443G01	1			
21	COPPER TUBE - HOT GAS		370443M01	1			
22	INSULATION TUBE		H71020H10	1			
23	EVAPORATOR ASSY		270896G01	1			
24	TRUSS HEAD TAPPING SCREW T2		FT20412M0	2			
25	HOLDER-THERMISTOR		436455-01	1			
26	THERMISTOR	NBFC-36-H60-1	P00027-01	1			
27	INSULATION-THERMISTOR		471010Z01	1			
28	TIE	CV-100	7920-0002	4			
29	ACCUMULATOR		P00010-02	1			
30	ACCUMULATOR COVER		369039Z02	1			
31	DRIER		P00007-01	1			
32	PUSH MOUNT TIE	T30RSF	436156-01	1			
33	HEAT EXCHANGER		370322G01	1			





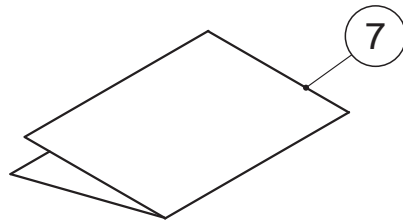
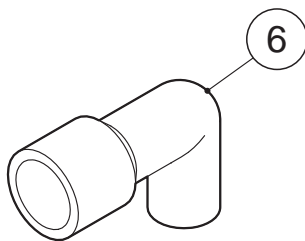
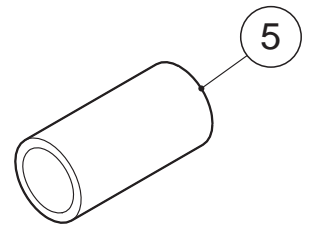
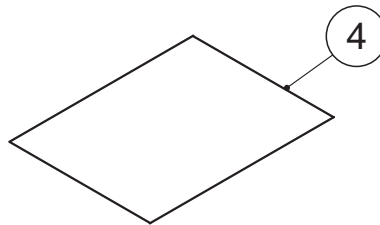
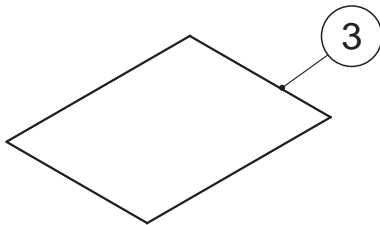
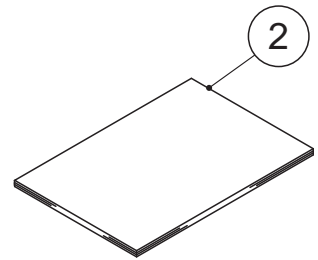
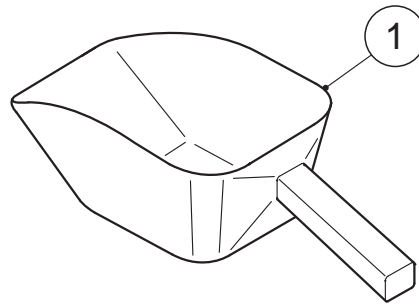
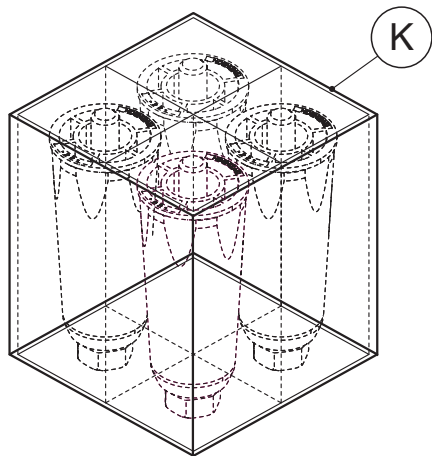






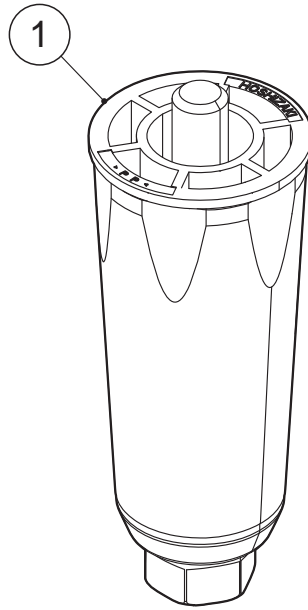
HA

MODEL: <b>KM-115BAJ</b>		TITLE: <b>H. LABEL LOCATION</b>					
INDEX NO.	DESCRIPTION	MATERIAL OR MODEL NUMBER	PART NUMBER	REQ'D NUMBER			
				G-1			
1	LABEL - PENGUIN		468184-01	1			
2	WIRING LABEL		384239L01	1			
3	CAUTION LABEL		464507-01	1			
4	LABEL - R134A		444463-01	1			
5	MAINTENANCE LABEL		384500L01	1			
6	LABEL - AIR FILTER		426177-01	1			
7	CAUTION LABEL - SERVICE		370640L01	1			
8	LABEL - ALARM		370310L01	1			
9	LABEL - CONTROL BOARD		370605L02	1			
10	CONTROL LABEL - FUSE		476009L01	1			



HA

MODEL: <b>KM-115BAJ</b>		TITLE: <b>J. ACCESSORIES</b>					
INDEX NO.	DESCRIPTION	MATERIAL OR MODEL NUMBER	PART NUMBER	REQ'D NUMBER			
				G-1			
K	LEG SET - UNC		472736A01	1			
1	SCOOP		1H4123P02	1			
2	INSTRUCTION MANUAL		L1F116101	1			
3	WARRANTY CERTIFICATE		2A4016-01	1			
4	REGISTRATION CARD		2A2894-01	1			
5	JOINT PIPE		472483P01	1			
6	INLET HOSE		486189R01	1			
7	INSTALLATION SHEET-DRAIN PUMP		271160L01	1			





HA

MODEL: <b>KM-115BAJ</b>		TITLE: <b>K. LEG SET - UNC</b>					
INDEX NO.	DESCRIPTION	MATERIAL OR MODEL NUMBER	PART NUMBER	REQ'D NUMBER			
				G-1			
1	LEG - UNC		371053G01	1			