



HOSHIZAKI

Parts List

Crescent Cuber

Model

KM-151BWH



hoshizakiamerica.com

Number: F005-3184
Issued: 4-2016

Auxiliary Codes

| | | |
|------------------|-----|--------------|
| KM-151BWH | U-1 | January 2009 |
| | V-0 | January 2010 |
| | V-1 | June 2010 |
| | A-0 | January 2011 |
| | B-0 | January 2012 |
| | C-0 | January 2013 |
| | D-0 | January 2014 |
| | E-0 | January 2015 |
| | E-1 | August 2015 |

Auxiliary Code Breakdown

The auxiliary code is the first two characters in the serial number. The first character indicates the year. Years progress or regress in alphabetical order. The series runs from "A" through "V" and the letters "I" and "O" are skipped. The second character indicates significant part changes within a year. Base is "0" and this number advances for each change. In cases where there is a letter in parentheses, this designates the month. This is the last character in the serial number. The series runs from "(A)" through "(M)" and the letter "(I)" is skipped. This designation is only included when identifying a parts change within an auxiliary code.

Note About Ordering Parts

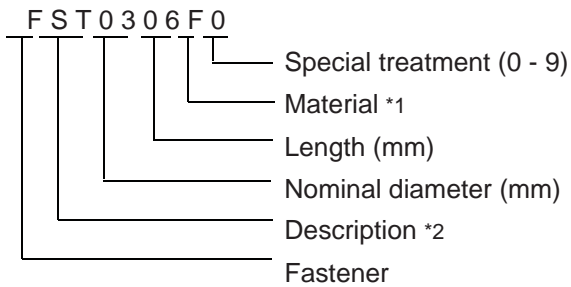
Most assemblies cannot be ordered as complete units; parts in the assemblies generally must be ordered separately.

MARKS LOCATED UNDER THE AUXILIARY CODE

- = Part deleted.

FASTENER PART NUMBER

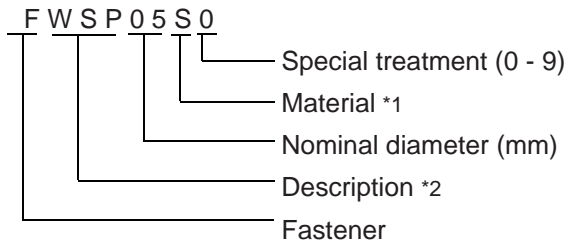
SCREWS



*1

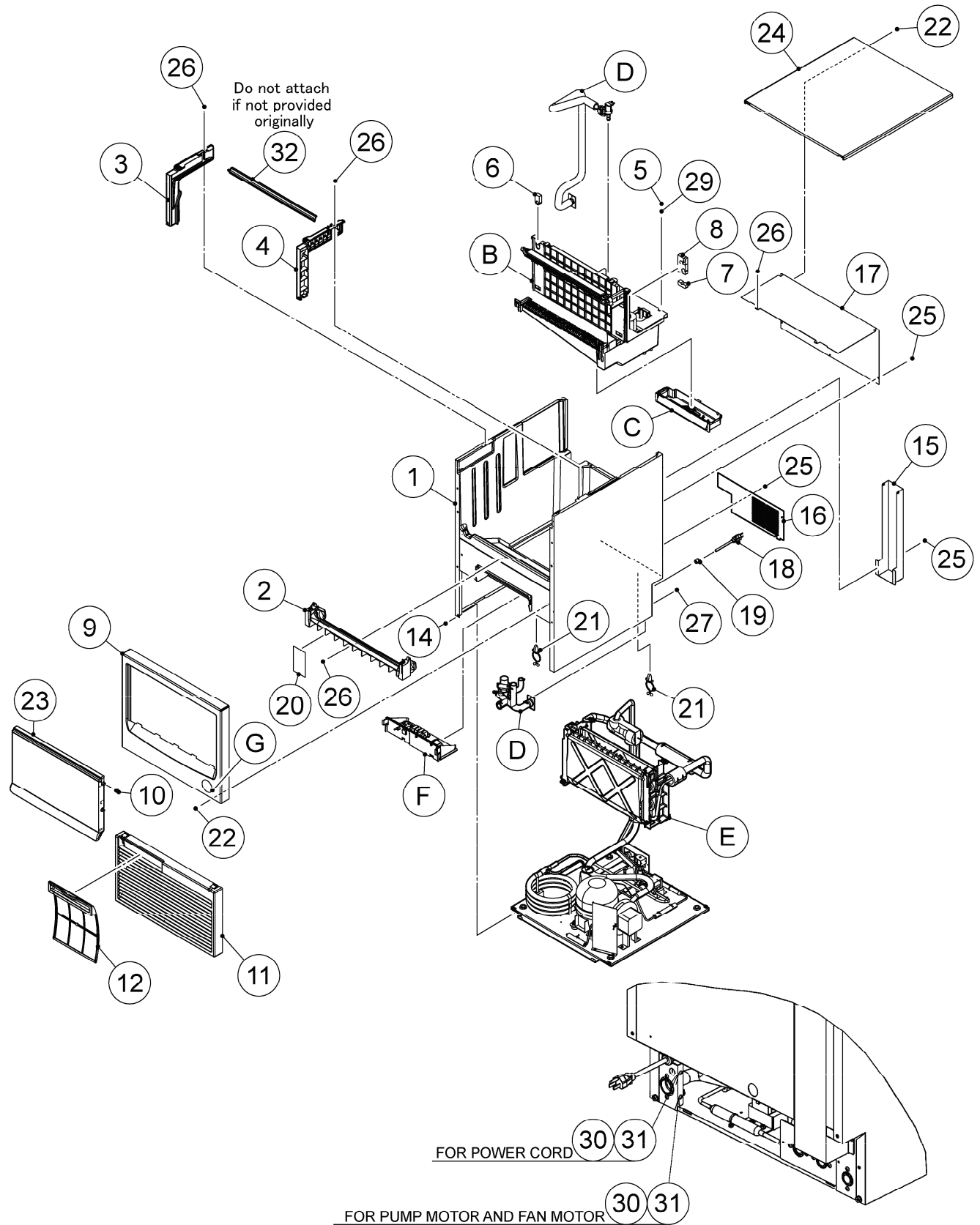
F: Steel
S: Austenitic stainless steel
M: Martensitic stainless steel
B: Copper alloy
P: Polycarbonate
N: Polyamide
V: PVC
A: ABS
X: Polyacetal
L: Aluminum

NUTS & WASHERS



*2

First letter
S: Machine screw
T: Tapping screw
M: Wood screw
B: Bolt
W: Washer
N: Nut

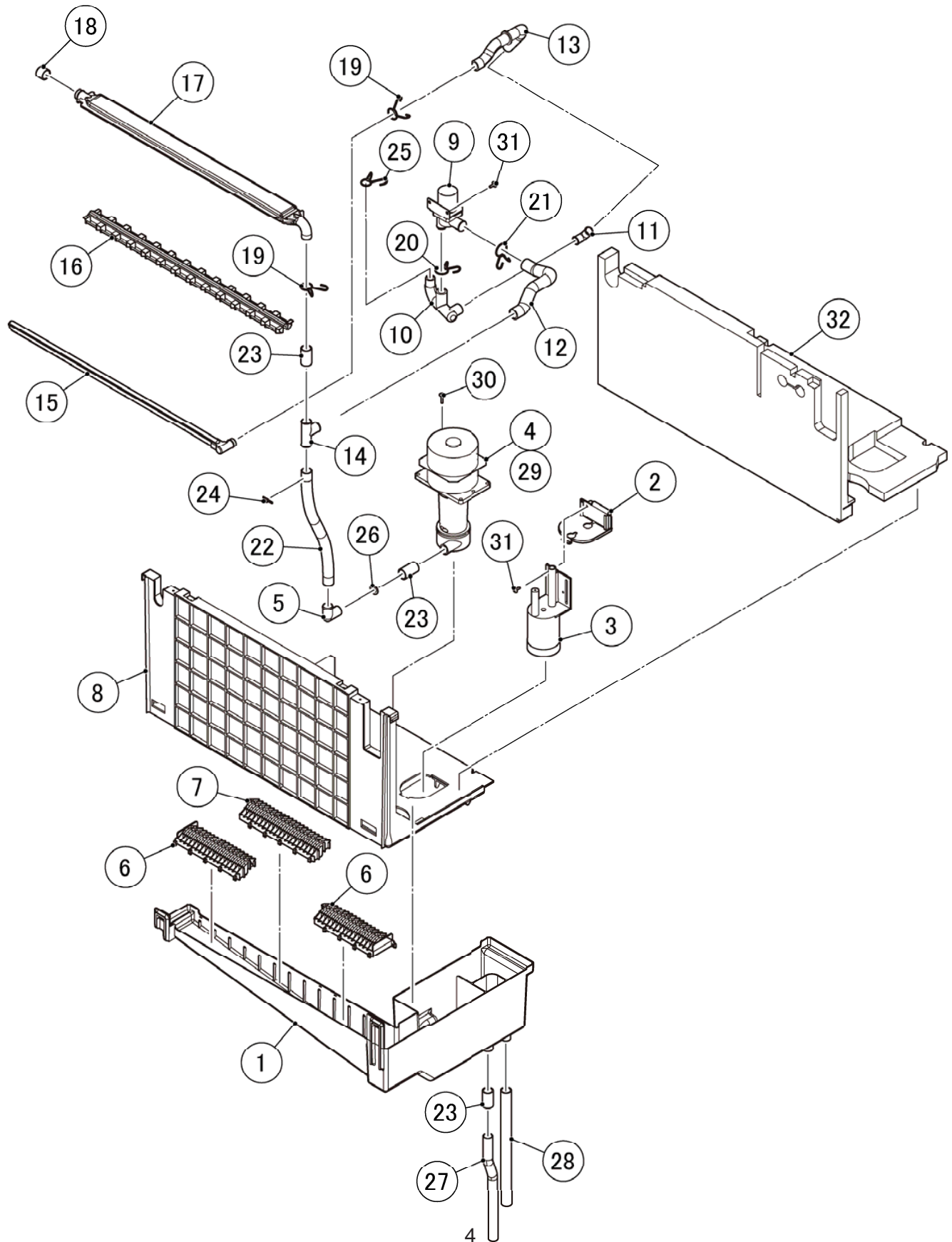


HA

| MODEL: KM-151BWH | | | | | | | |
|---------------------------------|----------------------------|---------------------------------|-------------|----------------|-----|---|--|
| TITLE: A. ICE CUBER ASSY | | | | | | | |
| INDEX NO. | DESCRIPTION | MATERIAL OR MODEL NUMBER | PART NUMBER | REQ'D NUMBER | | | |
| | | | | U-1,V-CV-1,E-0 | E-1 | | |
| B | ICE MAKING MECHANISM ASSY | | 118493A01 | 1 | 1 | 1 | |
| C | MECHANICAL BIN SWITCH | | 371151A01 | 1 | 1 | 1 | |
| D | WATER CIRCUIT ASSY | | 253740A02 | 1 | 1 | 1 | |
| E | REFRIGERATION CIRCUIT | | 118989A01 | 1 | 1 | 1 | |
| F | CONTROL BOX ASSY | | 252005A06 | 1 | 1 | 1 | |
| G | LABEL LOCATION | | 255478A01 | 1 | 1 | 1 | |
| H | ACCESSORIES | | A01942-01 | 1 | 1 | 1 | |
| K | OPTIONAL PARTS | before serial number D00522M | | 1 | 1 | - | |
| | | serial number D00522M and later | | - | - | - | |
| | | | | | | | |
| 1 | BODY ASSY | | 119364G02 | 1 | 1 | 1 | |
| 2 | FRONT FRAME | | 250745-01 | 1 | 1 | 1 | |
| 3 | RAIL(L) | | 119369P01 | 1 | 1 | 1 | |
| 4 | RAIL(R) | | 119370P01 | 1 | 1 | 1 | |
| 5 | T2 SCREW | SUS 4x12 | FT20412M0 | 2 | 2 | 2 | |
| 6 | GROMMET/PIPE(C) | | 470311-01 | 1 | 1 | 1 | |
| 7 | GROMMET/PIPE(B) | | 470310-01 | 1 | 1 | 1 | |
| 8 | GROMMET/PIPE(A) | | 470309-01 | 1 | 1 | 1 | |
| 9 | FRONT PANEL | before serial number D00522M | 369014G01 | 1 | 1 | - | |
| | | serial number D00522M and later | 380575G01 | - | 1 | 1 | |
| 10 | COLLAR | | 481481P02 | 4 | 4 | 4 | |
| 11 | LOUVER | | 117635-01 | 1 | 1 | 1 | |
| 12 | AIR FILTER | | 250727G01 | 1 | 1 | 1 | |
| 14 | HEX.TAPPING SCREW W/FLANGE | 6x16 | P01572-01 | 4 | 4 | 4 | |
| 15 | COVER/PIPE | | 368305-02 | 1 | 1 | 1 | |
| 16 | REAR COVER | | 371349M01 | 1 | 1 | 1 | |
| 17 | REAR PANEL | | 370654M03 | 1 | 1 | 1 | |
| 18 | POWER SUPPLY CODE | KP-301+SJT 16AWGX3C | P00004-01 | 1 | 1 | 1 | |
| 19 | BUSHING | SR-7K-2 | 420472-02 | 1 | 1 | 1 | |
| 20 | SEAL-OVERFLOW | | 4Y4321P01 | 1 | 1 | 1 | |
| 21 | CLAMP | | 427902-02 | 4 | 4 | 4 | |
| 22 | T2 SCREW | SUS 4x8 | FT20408M0 | 4 | 4 | 4 | |

HA

| MODEL: KM-151BWH | | | | TITLE: A. ICE CUBER ASSY | | | |
|-------------------------|------------------|------------------------------------------------|-------------|---------------------------------|-----|---|--|
| INDEX NO. | DESCRIPTION | MATERIAL OR MODEL NUMBER | PART NUMBER | REQ'D NUMBER | | | |
| | | | | U-1,V-0V-1,E-0 | E-1 | | |
| 23 | DOOR | Replace together with 4 pieces of No.10 COLLAR | 369051G01 | 1 | 1 | - | |
| | | | | - | - | 1 | |
| 24 | TOP PANEL ASSY | before serial number D00522M | 369005A09 | 1 | 1 | - | |
| | | serial number D00522M and later | 380577A09 | - | 1 | 1 | |
| 25 | T2 SCREW | 4x8 | FT20408F0 | 6 | 6 | 6 | |
| 26 | T2 SCREW | SUS 4x10 | FT20410S0 | 5 | 5 | 5 | |
| 27 | T2 SCREW | SUS 4x10 | FT20410M0 | 4 | 4 | 4 | |
| 29 | PLAIN WASHER | SUS 5 | FWPL05S0 | 2 | 2 | 2 | |
| 30 | TRUSS HEAD SCREW | SUS 4x8 | FST0408S0 | 2 | 2 | 2 | |
| 31 | SPRING WASHER | | FWSP04S0 | 2 | 2 | 2 | |
| 32 | BRACE - RAIL | Do not attach if not provided originally | 481548M02 | - | - | 1 | |

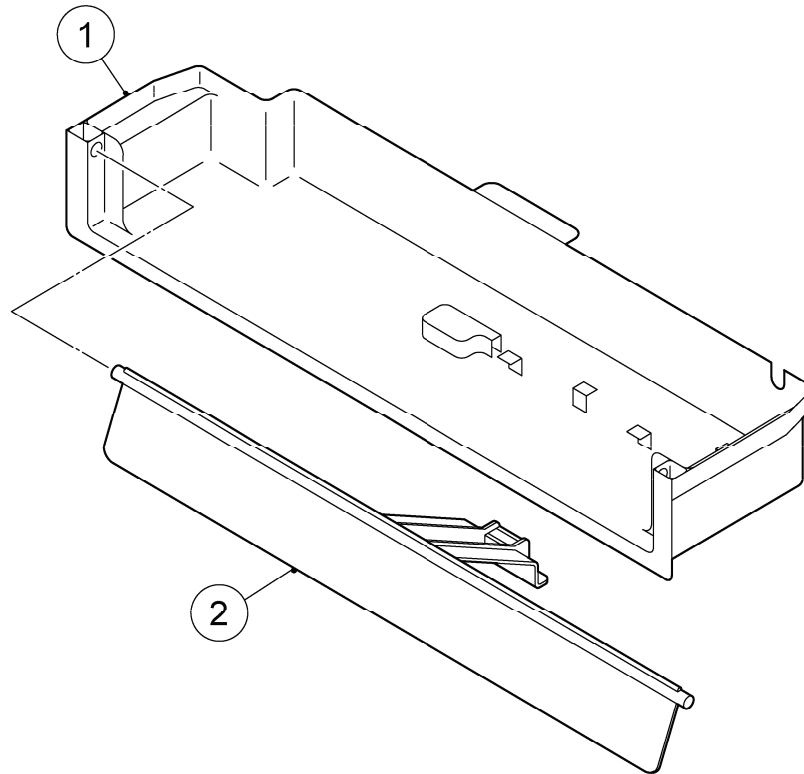


HA

| MODEL: KM-151BWH | | | | | | | |
|--------------------------------------------|--------------------------------------------|--------------------------|-------------|----------------|-----|---|--|
| TITLE: B. ICE MAKING MECHANISM ASSY | | | | | | | |
| INDEX NO. | DESCRIPTION | MATERIAL OR MODEL NUMBER | PART NUMBER | REQ'D NUMBER | | | |
| | | | | U-1,V-0V-1,E-0 | E-1 | | |
| 1 | WATER TANK | | 117639-01 | 1 | 1 | 1 | |
| 2 | BRACKET - FLOAT SWITCH | | 368339-01 | 1 | 1 | 1 | |
| 3 | FLOAT SWITCH | | 4A3624-04 | 1 | 1 | 1 | |
| 4 | PUMP MOTOR | PV-0511BHZ1 | P00468-01 | 1 | 1 | 1 | |
| 5 | ELBOW | | 417703-01 | 1 | 1 | 1 | |
| 6 | CUBE GUIDE (A) | | 250742-01 | 2 | 2 | 2 | |
| 7 | CUBE GUIDE (C) | | 250740-01 | 1 | 1 | 1 | |
| 8 | BRACKET - ICE MAKING | | 117632-01 | 1 | 1 | 1 | |
| 9 | SOLENOID VALVE | FDC-90-02-115 | P00018-02 | 1 | 1 | 1 | |
| 10 | WATER SUPPLY PIPE (A) | | 470306-01 | 1 | 1 | 1 | |
| 11 | ELBOW | | 470303-01 | 1 | 1 | 1 | |
| 12 | BYPASS HOSE | | 470308-01 | 1 | - | - | |
| | | | 374229R01 | - | 1 | 1 | |
| 13 | WATER SUPPLY PIPE(B) | | 470307-01 | 1 | - | - | |
| | WATER SUPPLY HOSE (B) | | 374228R01 | - | 1 | 1 | |
| 14 | TEE | | 470312-01 | 1 | 1 | 1 | |
| 15 | WATER SUPPLY TUBE | | 269616G01 | 1 | 1 | 1 | |
| 16 | SPRAY GUIDE | | 252052P03 | 1 | - | - | |
| | | | 258313P05 | - | 1 | 1 | |
| 17 | SPRAY TUBE | | 250746-03 | 1 | 1 | 1 | |
| 18 | SPRAY TUBE CAP ※Use either of the right | | 3A2645-01 | 1 | 1 | 1 | |
| | | | 370777R01 | 1 | 1 | 1 | |
| 19 | HOSE CLAMP ※Use either of the right | 16.5mm SUS | 427443-04 | 2 | 2 | 2 | |
| | | | P02909-04 | 2 | 2 | 2 | |
| 20 | HOSE CLAMP ※Use either of the right | 18mm SUS | 427443-05 | 1 | 1 | 1 | |
| | | | P02909-05 | 1 | 1 | 1 | |
| 21 | HOSE CLAMP ※Use either of the right | 20mm SUS | 427443-06 | 1 | 1 | 1 | |
| | | | P02909-06 | 1 | 1 | 1 | |

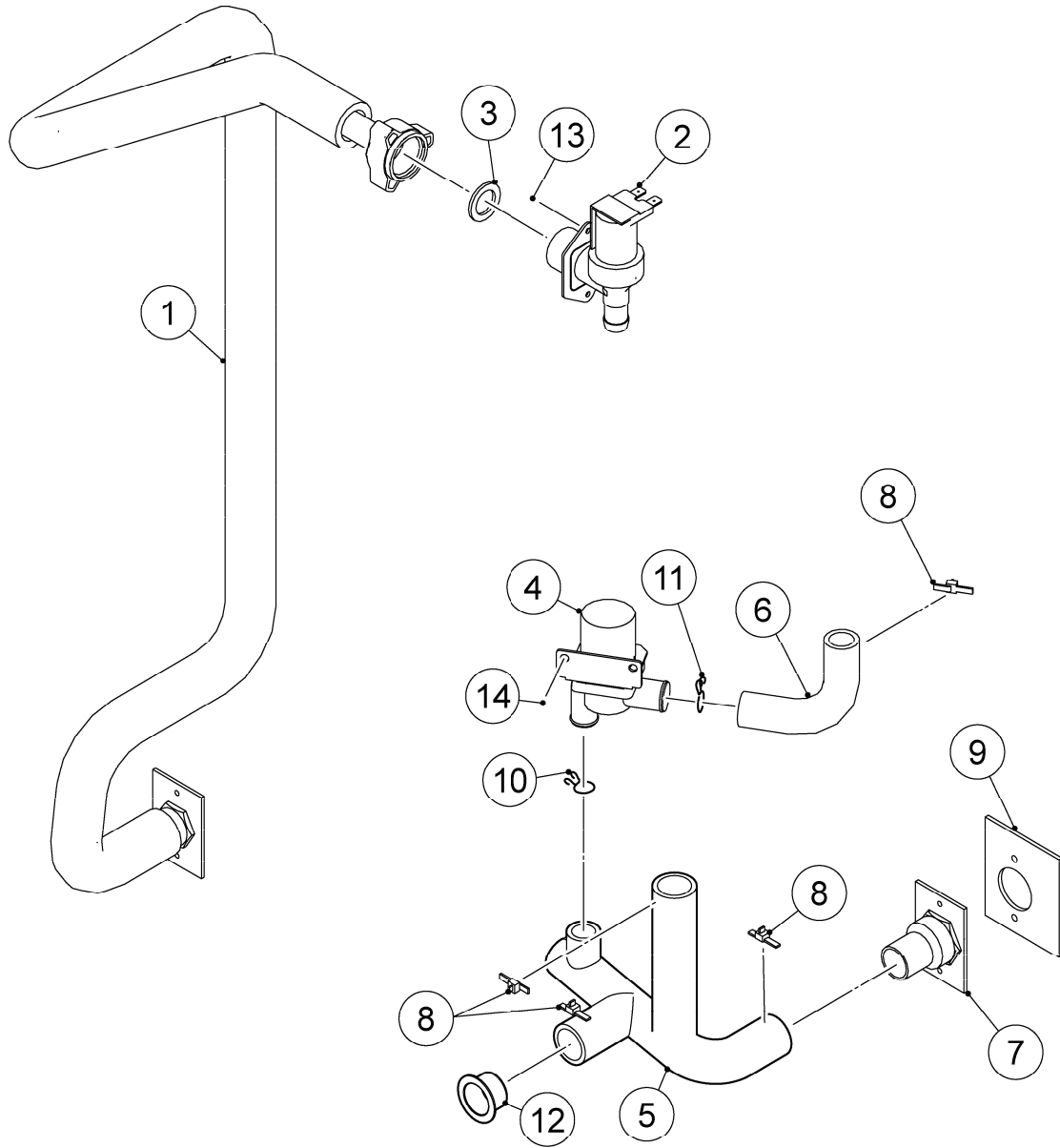
HA

| MODEL: KM-151BWH | | | | TITLE: B. ICE MAKING MECHANISM ASSY | | | |
|-------------------------|----------------------------------------|-------------------------------|-------------|--------------------------------------------|-----|---|--|
| INDEX NO. | DESCRIPTION | MATERIAL OR MODEL NUMBER | PART NUMBER | REQ'D NUMBER | | | |
| | | | | U-1,V-CV-1,E-0 | E-1 | | |
| 22 | SILICONE HOSE | L=300 14 DIA x 18 DIA | H11418300 | 1 | - | - | |
| | | L=280 14 DIA x 18 DIA (CLEAR) | H11418280 | - | 1 | 1 | |
| 23 | SILICONE HOSE | L=30 14 DIA x 18 DIA (CLEAR) | H11418030 | 3 | 3 | 3 | |
| 24 | CABLE TIE | CV-100 | 7920-0002 | 8 | 8 | 8 | |
| 25 | HOSE CLAMP ※Use either of the right | 13.5mm SUS | 427443-07 | 1 | 1 | 1 | |
| | | | P02909-07 | 1 | 1 | 1 | |
| 26 | ORIFICE | | 4Y4194P02 | 1 | 1 | 1 | |
| 27 | PIPE/OVERFLOW | | 369038P03 | 1 | 1 | 1 | |
| 28 | SILICONE HOSE | L=230 14 DIA x 18 DIA (CLEAR) | H11418230 | 1 | 1 | 1 | |
| 29 | BAG | | 4X1559-01 | 1 | 1 | 1 | |
| 30 | T2 SCREW | SUS 4x16 | FT20416M0 | 1 | 1 | 1 | |
| 31 | T2 SCREW | SUS 4x10 | FT20410M0 | 2 | 2 | 2 | |
| 32 | INSULATION - MECHANISM | | 256827P01 | 1 | 1 | 1 | |



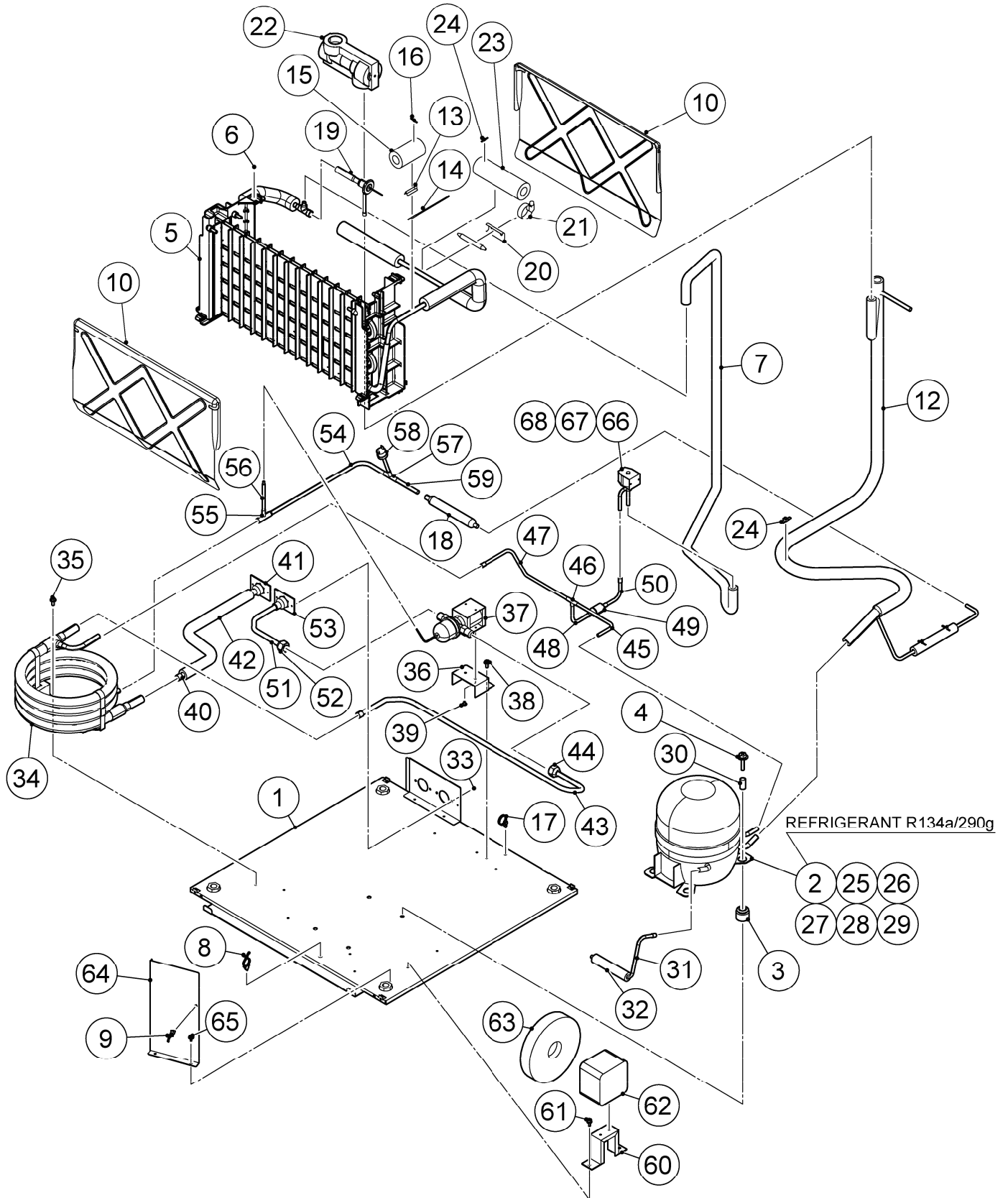
HA

| MODEL: KM-151BWH | | TITLE: C. MECHANICAL BIN SWITCH | | | | | |
|-------------------------|------------------------|----------------------------------------|-------------|--------------|---------|-----|--|
| INDEX NO. | DESCRIPTION | MATERIAL OR MODEL NUMBER | PART NUMBER | REQ'D NUMBER | | | |
| | | | | U-1,V-0 | V-1,E-0 | E-1 | |
| 1 | MECHANICAL SWITCH CASE | | 371153G01 | 1 | 1 | 1 | |
| 2 | DETECTOR | | 371152G01 | 1 | 1 | 1 | |



HA

| MODEL: KM-151BWH | | | | TITLE: D. WATER CIRCUIT ASSY | | | |
|-------------------------|----------------------------------------|--------------------------|-------------|-------------------------------------|-----|---|--|
| INDEX NO. | DESCRIPTION | MATERIAL OR MODEL NUMBER | PART NUMBER | REQ'D NUMBER | | | |
| | | | | U-1,V-CV-1,E-0 | E-1 | | |
| 1 | WATER SUPPLY PIPE | | 369037G01 | 1 | 1 | 1 | |
| 2 | WATER VALVE | V19, 1.2L/min | P00464-01 | 1 | 1 | 1 | |
| 3 | RUBBER GASKET | | 413854-03 | 1 | 1 | 1 | |
| 4 | SOLENOID VALVE | FDC-90-02-115 | P00018-02 | 1 | 1 | 1 | |
| 5 | DRAIN HOSE | SANATOPRENE | 370704R01 | 1 | 1 | 1 | |
| 6 | HOSE - VALVE | SANATOPRENE | 470304-01 | 1 | 1 | 1 | |
| 7 | DRAIN FITTING | | 472726G01 | 1 | 1 | 1 | |
| 8 | CABLE TIE | CV-150 | 7920-0003 | 4 | 4 | 4 | |
| 9 | INSULATION/DRAIN | | 4Y4319Z01 | 1 | 1 | 1 | |
| 10 | HOSE CLAMP ※Use either of the right | 18mm SUS | 427443-05 | 1 | 1 | 1 | |
| | | | P02909-05 | 1 | 1 | 1 | |
| 11 | HOSE CLAMP ※Use either of the right | 20mm SUS | 427443-06 | 1 | 1 | 1 | |
| | | | P02909-06 | 1 | 1 | 1 | |
| 12 | CAP | | 472250P01 | 1 | 1 | 1 | |
| 13 | TRUSS HEAD SCREW | SUS 4x8 | FST0408S0 | 2 | 2 | 2 | |
| 14 | T2 SCREW | SUS 4x10 | FT20410M0 | 2 | 2 | 2 | |



HA

| MODEL: KM-151BWH | | | | | | | |
|----------------------------------------|-------------------------|--------------------------|-------------|----------------|-----|---|--|
| TITLE: E. REFRIGERATION CIRCUIT | | | | | | | |
| INDEX NO. | DESCRIPTION | MATERIAL OR MODEL NUMBER | PART NUMBER | REQ'D NUMBER | | | |
| | | | | U-1,V-CV-1,E-0 | E-1 | | |
| 1 | BASE | | 371350G01 | 1 | 1 | 1 | |
| 2 | COMPRESSOR | QA125K29CAU6-E0GS | P00025-01 | 1 | 1 | 1 | |
| 3 | RUBBER GROMMET | | 463983-01 | 4 | 4 | 4 | |
| 4 | BOLT | 8x35 | 436206-03 | 4 | 4 | 4 | |
| 5 | EVAPORATOR ASSY | | 252014G01 | 1 | - | - | |
| | | | 258411G01 | - | 1 | 1 | |
| 6 | T2 SCREW | SUS 4x12 | FT20412M0 | 2 | 2 | 2 | |
| 7 | COPPER TUBE(H)/HOT GAS | 7K2032020 | 255428G01 | 1 | 1 | 1 | |
| 8 | CLAMP | | 427902-05 | 1 | 1 | 1 | |
| 9 | CLAMP | | 427902-04 | 1 | 1 | 1 | |
| 10 | SEPARATOR | | 250749-03 | 2 | 2 | 2 | |
| 12 | HEAT EXCHANGER | | 255424G01 | 1 | 1 | 1 | |
| 13 | HOLDER THERMISTOR | | 436455-01 | 1 | 1 | 1 | |
| 14 | THERMISTOR | NBFC-36-H60-1 | P00027-01 | 1 | 1 | 1 | |
| 15 | INSULATION/THERMISTOR | | 471010Z01 | 1 | 1 | 1 | |
| 16 | CABLE TIE | CV-100 | 7920-0002 | 2 | 2 | 2 | |
| 17 | PUSH MOUNT TIE | T30RSF | 436156-01 | 1 | 1 | 1 | |
| 18 | DRIER | | P00026-01 | 1 | 1 | 1 | |
| 19 | EXPANSION VALVE | HFE-5QHD-3 | P00318-01 | 1 | 1 | 1 | |
| 20 | HOLDER/EXPV | | 451267-01 | 1 | 1 | 1 | |
| 21 | CLAMP | | 443461-01 | 1 | 1 | 1 | |
| 22 | COVER - EXPANSION VALVE | | 369332Z01 | 1 | 1 | 1 | |
| 23 | INSULATION TUBE(A) | | H73858200 | 1 | 1 | 1 | |
| 24 | CABLE TIE | CV-200 | 7920-0010 | 3 | 3 | 3 | |
| 25 | STARTING RELAY | MM5-E3CH | 438849-01 | 1 | 1 | 1 | |
| 26 | MOTOR PROTECTOR | MST00AKZ-9040 | P00363-01 | 1 | 1 | 1 | |
| 27 | PROTECTOR COVER | 01-242281 | P00355-01 | 1 | 1 | 1 | |
| 28 | CLAMP | 01-236384 | 438846-01 | 1 | 1 | 1 | |

HA

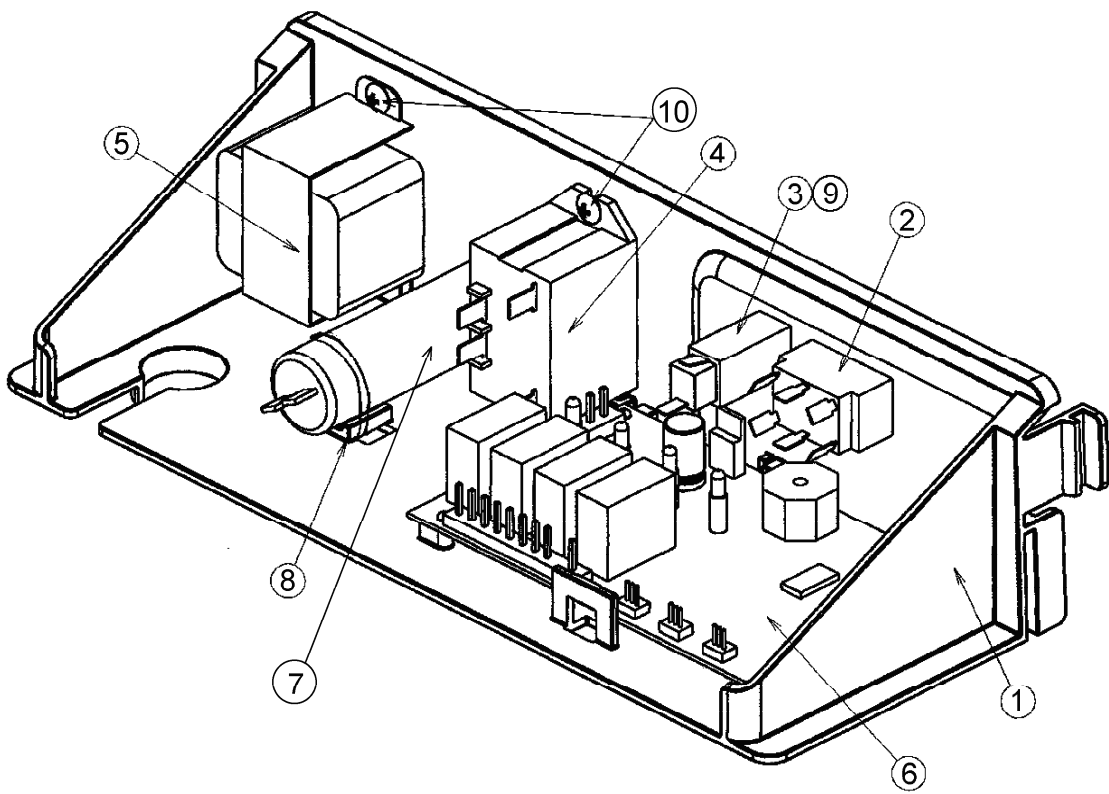
| MODEL: KM-151BWH | | | | TITLE: E. REFRIGERATION CIRCUIT | | | |
|-------------------------|--------------------------|---------------------------------------------------------|-------------|----------------------------------------|-----|---|--|
| INDEX NO. | DESCRIPTION | MATERIAL OR MODEL NUMBER | PART NUMBER | REQ'D NUMBER | | | |
| | | | | U-1,V-0V-1,E-0 | E-1 | | |
| 29 | CLIP | 01-246801 | 438847-01 | 1 | 1 | 1 | |
| 30 | GROMMET SLEEVE | 01-245960 | 463984-01 | 4 | 4 | 4 | |
| 31 | COPPER TUBE (A1)/PROCESS | COPPER TUBE (A)/PROCESS 371352G01 | 371352M01 | 1 | 1 | 1 | |
| 32 | INSULATION TUBE | COPPER TUBE (A)/PROCESS 371352G01 7762-1020,L=100 | H71020100 | 1 | 1 | 1 | |
| 33 | T2 SCREW | SUS 4X8 | FT20408M0 | 4 | 4 | 4 | |
| 34 | CONDENSER-WATER COOLED | | HS-0160 | 1 | - | - | |
| | | | P01911-01 | - | 1 | 1 | |
| 35 | FLANGE BOLT | 5x12 | FTQ0512F0 | 2 | 2 | 2 | |
| 36 | BRACKET - WR | | 371348M01 | 1 | 1 | 1 | |
| 37 | WATER REGULATOR | | P04020-01 | 1 | 1 | 1 | |
| 38 | FLANGE BOLT | 5x12 | FTQ0512F0 | 2 | 2 | 2 | |
| 39 | TRUSS HEAD SCREW | SUS 4X6 | FST0406S0 | 2 | 2 | 2 | |
| 40 | COPPER TUBE (B1) | COPPER TUBE (B) 371353G01 | 371353M01 | 1 | - | - | |
| | | 374214G01 | 374214M01 | - | 1 | 1 | |
| 41 | INLET FITTING | COPPER TUBE (B) 371353G01 | 471004G01 | 1 | 1 | 1 | |
| | | 374214G01 | | | | | |
| 42 | INSULATION TUBE | COPPER TUBE (B) 7762-1323 L=380 | H71323380 | 1 | 1 | 1 | |
| | | 371353G01 | | | | | |
| | | 374214G01 | | | | | |
| 43 | COPPER TUBE (C1) | COPPER TUBE(C) 371354G01 | 371354M01 | 1 | - | - | |
| | | 374215G01 | 374215M01 | - | 1 | 1 | |

HA

| MODEL: KM-151BWH | | | | | | | |
|----------------------------------------|------------------|------------------------------|-------------|----------------|-----|---|--|
| TITLE: E. REFRIGERATION CIRCUIT | | | | | | | |
| INDEX NO. | DESCRIPTION | MATERIAL OR MODEL NUMBER | PART NUMBER | REQ'D NUMBER | | | |
| | | | | U-1,V-0V-1,E-0 | E-1 | | |
| 44 | FLARE NUT | COPPER TUBE(C) 371354G01 | 448082F01 | 1 | 1 | 1 | |
| | | 374215G01 | | | | | |
| 45 | COPPER TUBE (D1) | COPPER TUBE (D) 371355G01 | 371355M01 | 1 | - | - | |
| | | 374216G01 | 374216M01 | - | 1 | 1 | |
| 46 | TEE | COPPER TUBE (D) 371355G01 | 417394-01 | 1 | 1 | 1 | |
| | | 374216G01 | | | | | |
| 47 | COPPER TUBE (D2) | COPPER TUBE (D) 371355G01 | 371355M03 | 1 | - | - | |
| | | 374216G01 | 374216M02 | - | 1 | 1 | |
| 48 | COPPER TUBE (D3) | COPPER TUBE (D) 371355G01 | 371355M04 | 1 | - | - | |
| | | 374216G01 | 374216M03 | - | 1 | 1 | |
| 49 | STRAINER | COPPER TUBE (D) 371355G01 | P00008-01 | 1 | 1 | 1 | |
| | | 374216G01 | | | | | |
| 50 | COPPER TUBE (D4) | COPPER TUBE (D) 371355G01 | 371355M06 | 1 | - | - | |
| | | 374216G01 | 374216M04 | - | 1 | 1 | |
| 51 | COPPER TUBE (E1) | COPPER TUBE (E) 371356G01 | 371356M01 | 1 | 1 | 1 | |
| 52 | FLARE NUT | COPPER TUBE (E) 371356G01 | 448082F01 | 1 | 1 | 1 | |
| 53 | INLET FITTING | COPPER TUBE (E) 371356G01 | 471004G01 | 1 | 1 | 1 | |

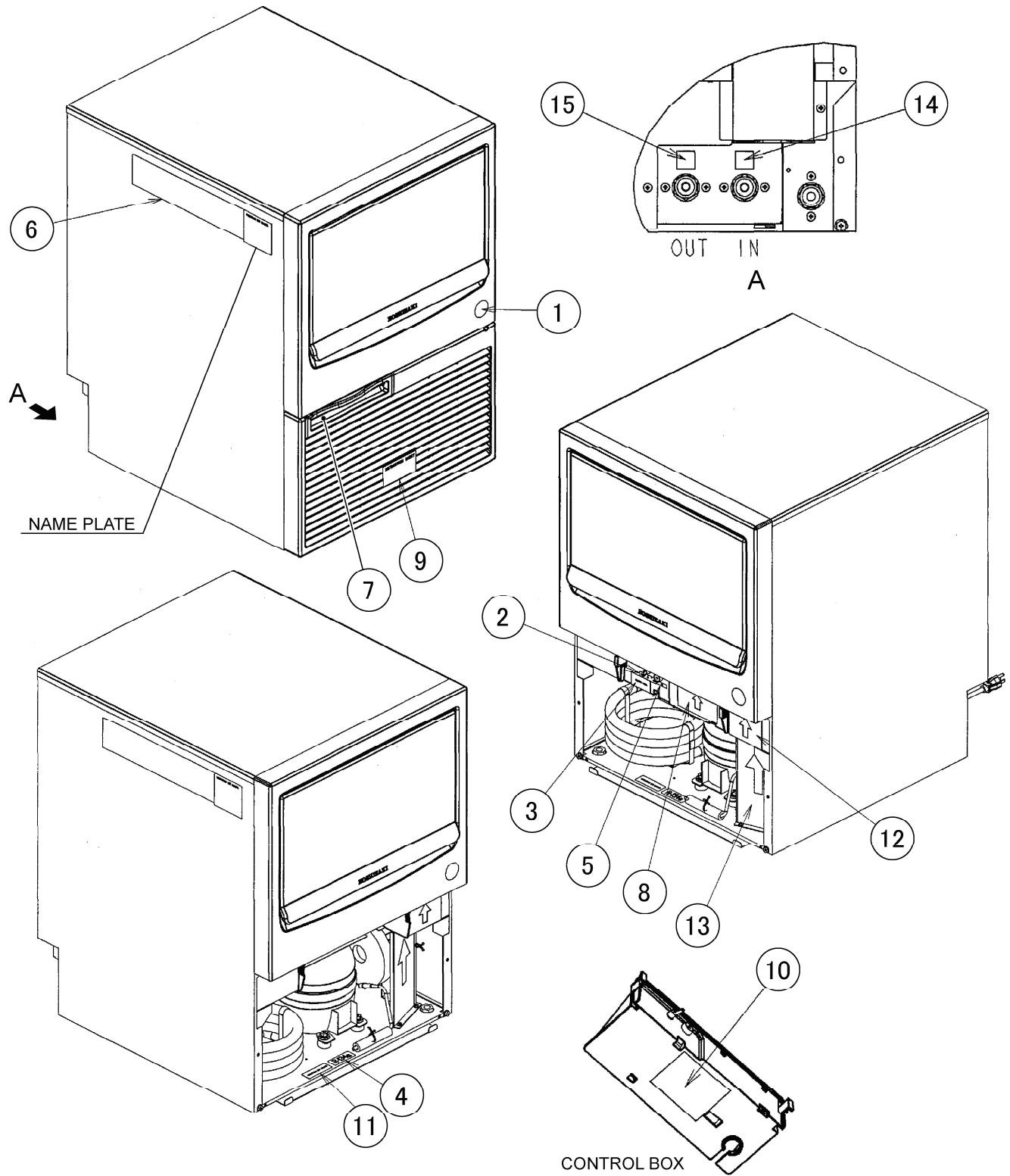
HA

| MODEL: KM-151BWH | | | | TITLE: E. REFRIGERATION CIRCUIT | | | |
|-------------------------|----------------------------|------------------------------------------|-------------|----------------------------------------|-----|---|--|
| INDEX NO. | DESCRIPTION | MATERIAL OR MODEL NUMBER | PART NUMBER | REQ'D NUMBER | | | |
| | | | | U-1,V-OV-1,E-0 | E-1 | | |
| 54 | COPPER TUBE (F1) | COPPER TUBE(F) 371357G01 | 371357M01 | 1 | - | - | |
| | | 374217G01 | 374217M01 | - | 1 | 1 | |
| 55 | TEE | COPPER TUBE(F) 371357G01 | 420041-05 | 1 | 1 | 1 | |
| | | 374217G01 | | | | | |
| 56 | COPPER TUBE B/CAPILLARY | COPPER TUBE(F) 371357G01 | 446047-02 | 1 | 1 | 1 | |
| | | 374217G01 | | | | | |
| 57 | TEE | COPPER TUBE(F) 371357G01 | 420041-02 | 1 | 1 | 1 | |
| | | 374217G01 | | | | | |
| 58 | PRESSURE SWITCH | COPPER TUBE(F) ACB-1UB29 371357G01 | 463180-02 | 1 | 1 | 1 | |
| | | 374217G01 | | | | | |
| 59 | COPPER TUBE (F2) | COPPER TUBE(F) 371357G01 | 371357M06 | 1 | - | - | |
| | | 374217G01 | 374217M02 | - | 1 | 1 | |
| 60 | BRACKET/FM | | 470291-01 | 1 | 1 | 1 | |
| 61 | HEX HEAD BOLT W/WASHER[SW] | 5x12 | FBK0512S0 | 2 | 2 | 2 | |
| 62 | FAN MOTOR | M4Q045-BD03-04 | P00465-01 | 1 | 1 | 1 | |
| 63 | FAN BLADE | 73761-2-3634 | P01056-01 | 1 | 1 | 1 | |
| 64 | AIR GUARD | | 371347M01 | 1 | 1 | 1 | |
| 65 | HEX HEAD BOLT | SUS 4x8 | FBF0408S0 | 2 | 2 | 2 | |
| 66 | VALVE BODY | AMS - B24BH DU - 1 | 4A3275-01 | 1 | 1 | 1 | |
| 67 | COIL - VALVE | | 4A3277-01 | 1 | 1 | 1 | |
| 68 | BOLT | | 4A3277F01 | 1 | 1 | 1 | |



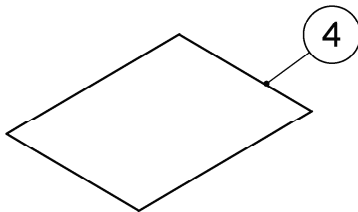
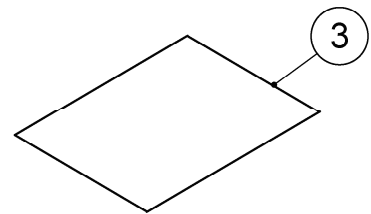
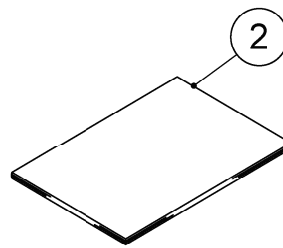
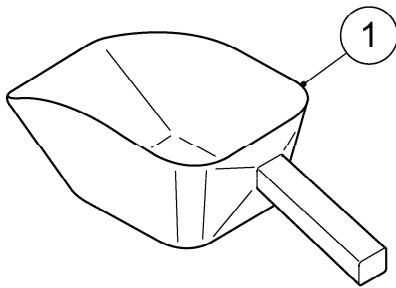
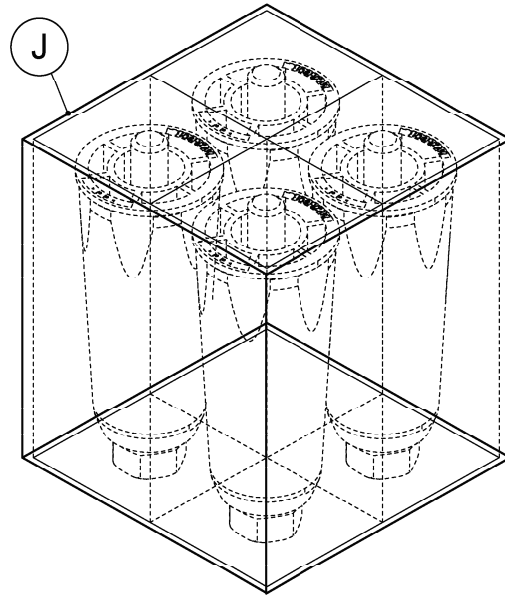
HA

| MODEL: KM-151BWH | | TITLE: F. CONTROL BOX ASSY | | | | | |
|-------------------------|------------------|-----------------------------------|-------------|--------------|----------|-----|--|
| INDEX NO. | DESCRIPTION | MATERIAL OR MODEL NUMBER | PART NUMBER | REQ'D NUMBER | | | |
| | | | | U-1,V-0 | CV-1,E-0 | E-1 | |
| 1 | CONTROL BOX | | 117624-01 | 1 | 1 | 1 | |
| 2 | TOGGLE SWITCH | KND-203 | P00033-01 | 1 | 1 | 1 | |
| 3 | FUSE HOLDER | BF115 | P00014-01 | 1 | 1 | 1 | |
| 4 | POWER RELAY | G7L-1A-TUB | 449000-01 | 1 | 1 | 1 | |
| 5 | TRANSFORMER | | 3A4395-01 | 1 | 1 | 1 | |
| 6 | CONTROLLER BOARD | HKM2006V003 | P01771-02 | 1 | 1 | 1 | |
| 7 | START CAPACITOR | 100 μ F 160V | 4Y1175-01 | 1 | 1 | 1 | |
| 8 | CABLE TIE | CV-200 | 7920-0010 | 1 | 1 | 1 | |
| 9 | FUSE | 125/250V 5A | 420468-02 | 1 | 1 | 1 | |
| 10 | T2 SCREW | SUS 4x8 | FT20408M0 | 2 | 2 | 2 | |



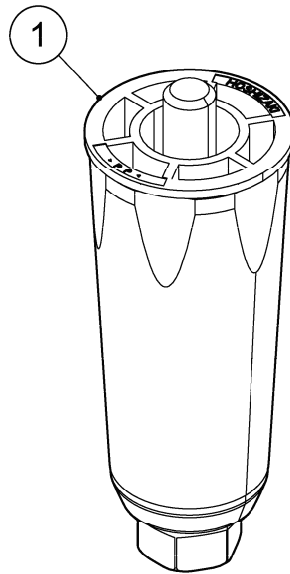
HA

| MODEL: KM-151BWH | | | | | | | |
|---------------------------------|-----------------------|--------------------------|-------------|--------------|---------|-----|--|
| TITLE: G. LABEL LOCATION | | | | | | | |
| INDEX NO. | DESCRIPTION | MATERIAL OR MODEL NUMBER | PART NUMBER | REQ'D NUMBER | | | |
| | | | | U-1,V-0 | V-1,E-0 | E-1 | |
| 1 | LABEL-PENGUIN | | 471487L01 | 1 | 1 | 1 | |
| 2 | CONTROL LABEL- FUSE | | 476009L01 | 1 | 1 | 1 | |
| 3 | CAUTION LABEL | | 464507-01 | 1 | 1 | 1 | |
| 4 | LABEL/R134a | | 444463-01 | 1 | 1 | 1 | |
| 5 | - | | - | - | | | |
| 6 | MAINTENANCE LABEL | | 369056L01 | 1 | 1 | 1 | |
| 7 | LABEL/AIR FILTER | | 426177-01 | 1 | 1 | 1 | |
| 8 | CAUTION LABEL/SERVICE | | 370640L01 | 1 | 1 | 1 | |
| 9 | INSTRUCTION SHEET | | 471384L01 | 1 | 1 | 1 | |
| 10 | WIRING LABEL | | 370657L01 | 1 | 1 | 1 | |
| 11 | MODEL NUMBER LABEL | | 471927L04 | 1 | 1 | 1 | |
| 12 | LABEL-ALARM | | 370310L01 | 1 | 1 | 1 | |
| 13 | LABEL/CONTROL BOARD | | 370605L02 | 1 | 1 | 1 | |
| 14 | LABEL-INLET | | 418029-04 | 1 | 1 | 1 | |
| 15 | LABEL-OUTLET | | 418029-05 | 1 | 1 | 1 | |



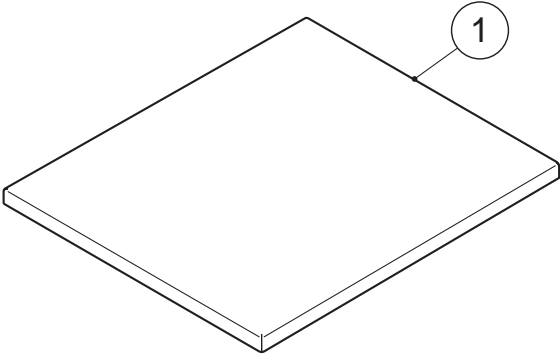
HA

| MODEL: KM-151BWH | | | | | | | |
|------------------------------|----------------------|--------------------------|-------------|--------------|---------|-----|--|
| TITLE: H. ACCESSORIES | | | | | | | |
| INDEX NO. | DESCRIPTION | MATERIAL OR MODEL NUMBER | PART NUMBER | REQ'D NUMBER | | | |
| | | | | U-1,V-0 | V-1,E-0 | E-1 | |
| J | LEG SET - UNC | | 472736A01 | 1 | 1 | 1 | |
| | | | | | | | |
| 1 | SCOOP | | 1H4123P02 | 1 | 1 | 1 | |
| 2 | INSTRUCTION MANUAL | | L1M006105 | 1 | 1 | 1 | |
| 3 | WARRANTY CERTIFICATE | | 2A4016-01 | 1 | 1 | 1 | |
| 4 | REGISTRATION CARD | | 2A2894-01 | 1 | 1 | 1 | |



HA

| MODEL: KM-151BWH | | TITLE: J. LEG SET - UNC | | | | | |
|-------------------------|-------------|--------------------------------|-------------|--------------|---------|-----|--|
| INDEX NO. | DESCRIPTION | MATERIAL OR MODEL NUMBER | PART NUMBER | REQ'D NUMBER | | | |
| | | | | U-1,V-0 | V-1,E-0 | E-1 | |
| 1 | LUG -UNC | | 371053G01 | 4 | 4 | 4 | |



HA

| MODEL: KM-151BWH | | TITLE: K. OPTIONAL PARTS | | | | | |
|-------------------------|-------------------|---------------------------------|-------------|--------------|---------|-----|--|
| INDEX NO. | DESCRIPTION | MATERIAL OR MODEL NUMBER | PART NUMBER | REQ'D NUMBER | | | |
| | | | | U-1,V-0 | V-1,E-0 | E-1 | |
| 1 | COVER - TOP PANEL | before serial number D00522M | 266603M03 | 1 | 1 | - | |
| | | serial number D00522M and later | | - | - | - | |