



# HOSHIZAKI

## Parts List

Modular Crescent Cuber

Models

KM-1601MRH/3



[hoshizakiamerica.com](http://hoshizakiamerica.com)

Number: 71245  
Issued: 2-2-2005  
Revised: 4-10-2024

## CONTENTS

Auxiliary Codes.....	3
Note About Ordering Parts .....	4
A. Main Assembly & Refrigeration Circuit .....	5
B. Water Circuit .....	7
C. Control Box Assembly .....	10
D. Accessories & Labels .....	11

## Auxiliary Codes

<b>KM-1601MRH</b>	Q-0	May 2005
	R-0	February 2006
	R-1	August 2006
	S-1	January 2007
	T-0	January 2008
	U-0	January 2009
	U-1	August 2009
	V-0	January 2010
	V-1	July 2010
	A-0	January 2011
	A-1	September 2011
	B-0	January 2012
	C-0	January 2013
	D-0	January 2014
	D-1	June 2014
	E-0	November 2015
F-0	January 2016	
G-0	July 2017	
H-0	January 2018	

<b>KM-1601MRH3</b>	Q-0	May 2005
	R-0	February 2006
	R-1	August 2006
	S-1	January 2007
	T-0	January 2008
	U-0	January 2009
	U-1	August 2009
	V-0	January 2010
	V-1	July 2010
	A-0	January 2011
	A-1	October 2011
	B-0	January 2012
	C-0	January 2013
	D-0	January 2014
	D-1	June 2014
	D-2	November 2014
	E-0	January 2015
	F-0	January 2016
G-0	June 2017	
H-0	January 2018	

## **Auxiliary Code Breakdown**

The auxiliary code is the first two characters in the serial number. The first character indicates the year. Years progress or regress in alphabetical order. The series runs from "A" through "V" and the letters "I" and "O" are skipped. The second character indicates significant part changes within a year. Base is "0" and this number advances for each change. In cases where there is a letter in parentheses, this designates the month. This is the last character in the serial number. The series runs from "(A)" through "(M)" and the letter "(I)" is skipped. This designation is only included when identifying a parts change within an auxiliary code.

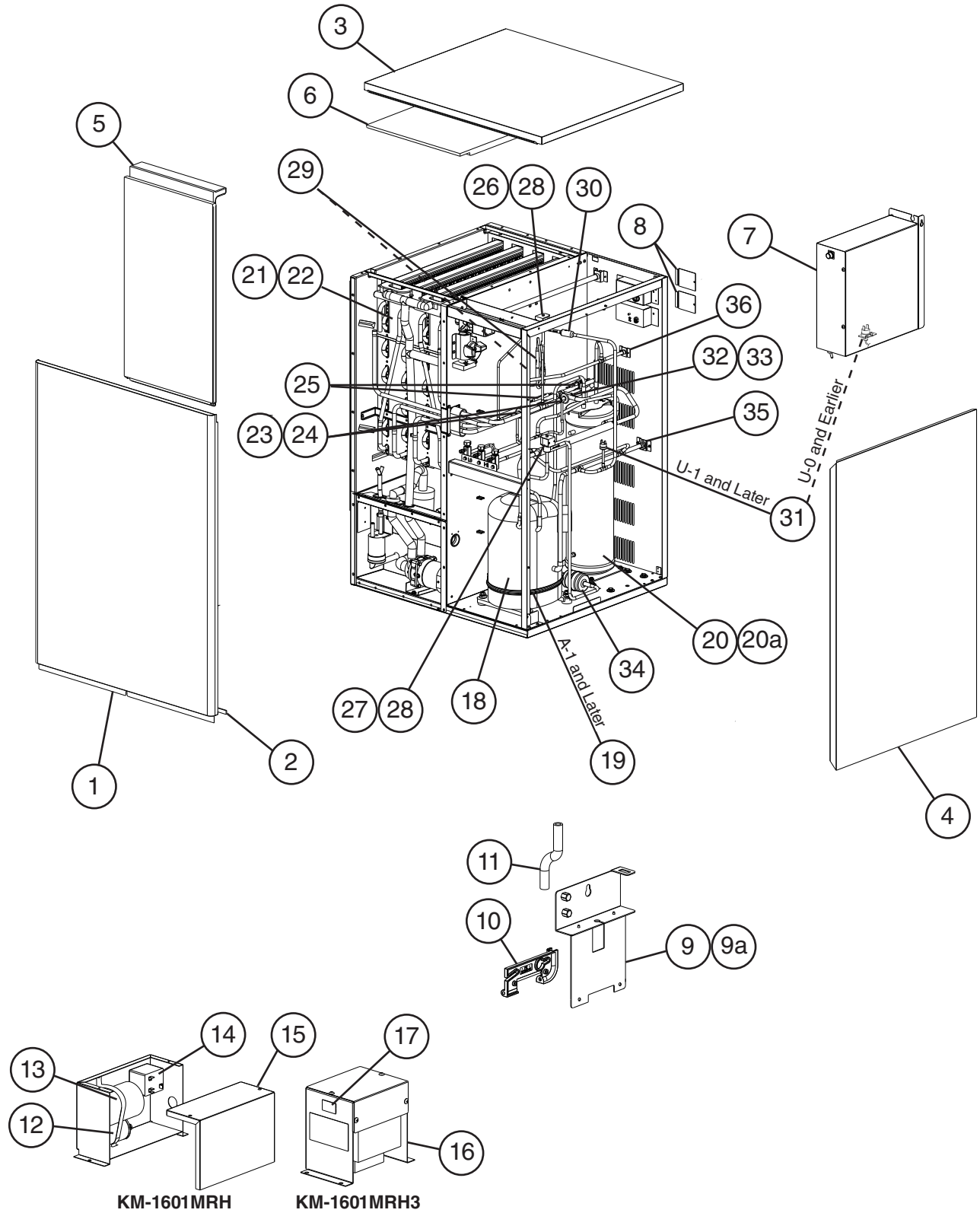
## **Note About Ordering Parts**

Most assemblies cannot be ordered as complete units; parts in the assemblies generally must be ordered separately.

# A. Main Assembly & Refrigeration Circuit

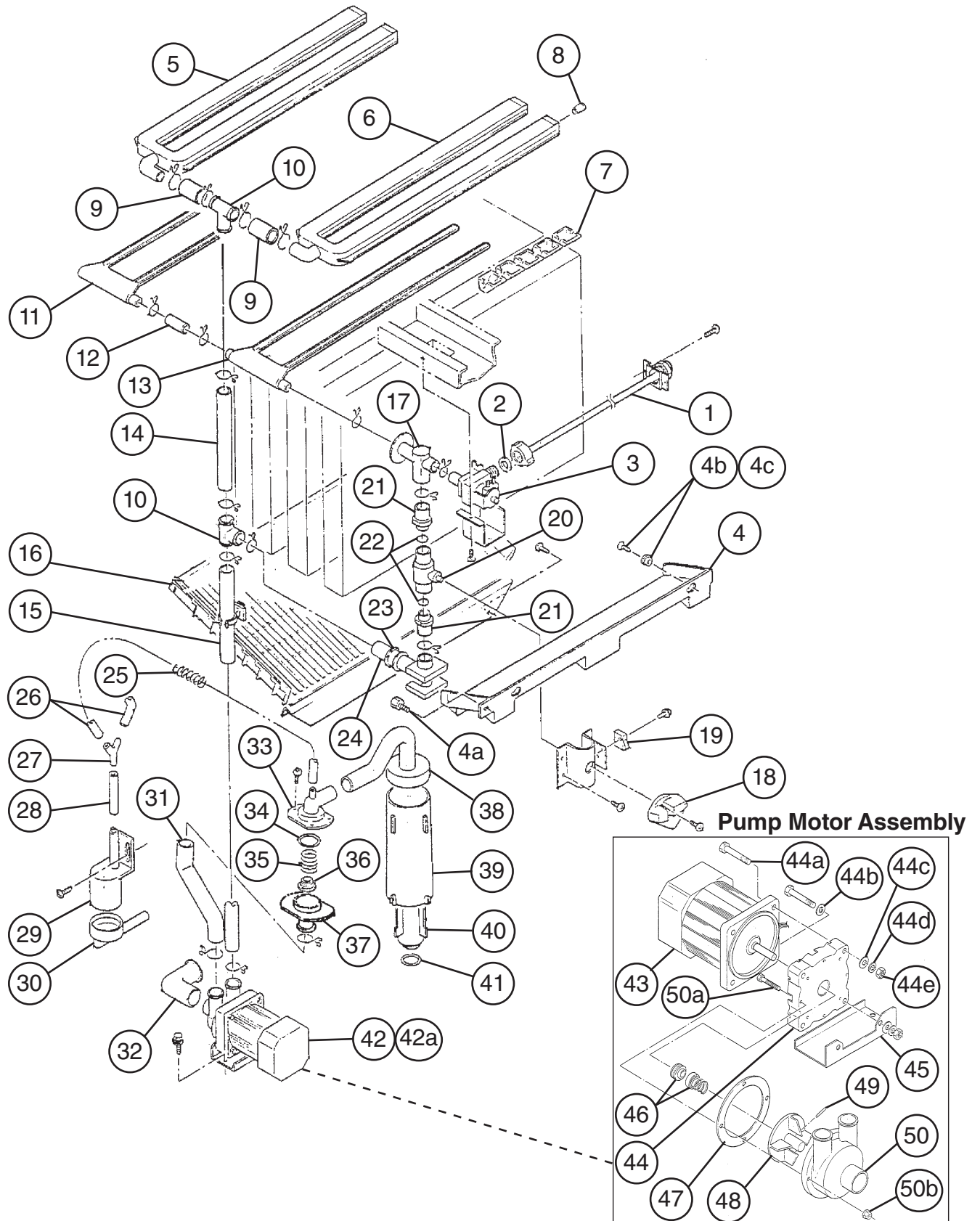
## KM-1601MRH/3

Q-0 to H-0



Title: A. Main Assembly & Refrigeration Circuit Model: KM-1601MRH/3													
Index No.	Description	Material or Model Number	Part Number	Required Number									
				Q-0 to U-0	U-1 to A-0	A-1 to H-0							
<b>Main Assembly</b>													
1	Front Panel		2A2164-02	1	1	1							
2	Gasket	L=762 mm	4A0808L02	1	1	1							
3	Top Panel		3A1941A01	1	1	1							
4	Right Side Panel		2A2165G01	1	1	1							
5	Front Insulation		322711G01	1	1	1							
6	Top Insulation		322714G01	1	1	1							
7	Control Box Cover		3A2386-01	1	1	1							
8	Junction Box Cover		433410-01	2	2	2							
9	Bin Control Bulb Holder		322815G02	1	1	1							
9a	Thumbscrew		415949G10	2	2	2							
10	Bin Control Bulb Holder		3A3903-01	1	1	1							
11	Silicone Hose	L=285 mm	7730I3812	1	1	1							
12	Run Capacitor	<b>KM-1601MRH</b> 35MFD, 370VAC	3A2005-05	1	1	1							
13	Start Capacitor	<b>KM-1601MRH</b> 145-175MFD, 250V	3A0076-01	1	1	1							
14	Start Relay	<b>KM-1601MRH</b>	4A1107-09	1	1	1							
15	Capacitor Box Cover	<b>KM-1601MRH</b>	326125-01	1	1	1							
16	Main Transformer	<b>KM-1601MRH3</b>	4A0817-01	1	1	1							
17	Voltage Tap Switch	<b>KM-1601MRH3</b>	4A1477-01	1	1	1							
<b>Refrigeration Circuit</b>													
18	Compressor (A-1 and later utilize external crankcase heater - item 19)	<b>KM-1601MRH</b>	4A1726-31	1	1	-							
			4A2334-01			1							
			<b>KM-1601MRH3</b>	4A1726-43	1	1	-						
			4A2330-01			1							
19	Crankcase Heater		4A5397-02			1							
20	Receiver		440366-01	1	1	1							
20a	Hex Head Bolt w/Washer	5x10	7B0130510	3	3	3							
21	Evaporator (includes item 22)		104442G03	1	1	1							
22	Evaporator Plate	S-0428	103317G01	4	4	4							
23	Thermostatic Expansion Valve		4A1482-01	2	2	2							
24	Thermostatic Expansion Valve Cover		3A0944-01	2	2	2							
25	Thermostatic Expansion Valve Bulb Holder		3A0107-01	2	2	2							
26	Hot Gas Valve Body		4A3978-01	1	1	1							
27	Liquid Line Valve Body		4A3276-01	1	1	1							
28	Valve Coil		4A3277-01	2	2	2							
29	Check Valve		4A1373-01	2	2	2							
30	Strainer		441569-02	1	1	1							
31	High-Pressure Switch		463180-04	1	1	1							
32	Thermistor		429006-03	1	1	1							
33	Thermistor Holder		427430-01	1	1	1							
34	Drier		4A2663-01	1	1	1							
35	Discharge Line Coupling		434136G01	1	1	1							
36	Liquid Line Coupling		433751G01	1	1	1							

**B. Water Circuit**  
**KM-1601MRH/3**  
 Q-0 to H-0



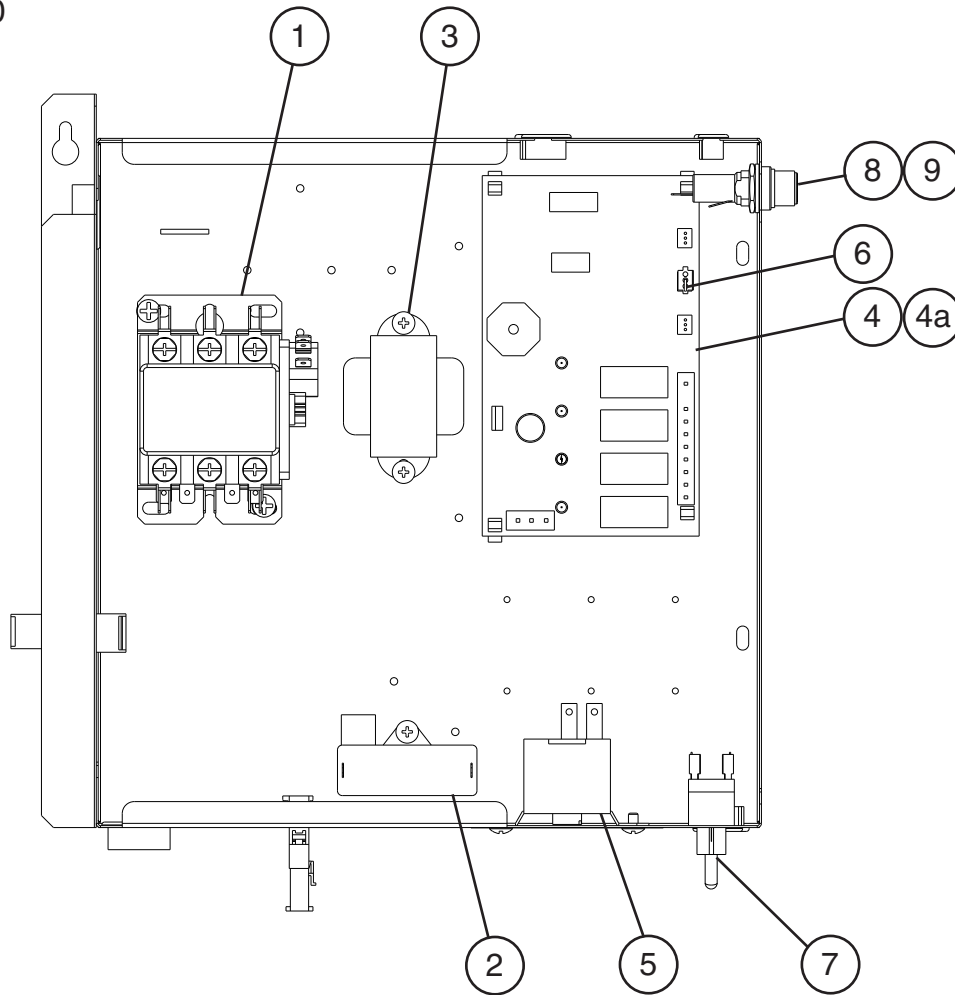
**Title: B. Water Circuit Model: KM-1601MRH/3**

Index No.	Description	Material or Model Number	Part Number	Required Number										
				Q-0 to A-0	A-1 to H-0									
1	Water Supply Pipe		4A5216G04	1	1									
2	Rubber Gasket		413854-03	1	1									
3	Inlet Water Valve		3U0111-02	1	1									
4	Cube Guide B		322644-02	1	1									
4a	Thumbscrew		415949G12	1	1									
4b	Collar		435269-01	2	2									
4c	T2 Flat Head Screw		7P22-0416	2	2									
5	Left Spray Tube		1A0260-02	1	1									
6	Right Spray Tube		1A0260-01	1	1									
7	Spray Guide		208586-01	12	12									
8	Plug		4A0176-01	4	4									
9	Vinyl Hose	L=63 mm	7716-2025	2	2									
10	Distributor		432426-01	2	2									
11	Left Water Supply Tube		2A0079-01	1	1									
12	Vinyl Hose	L=58 mm	7716-1519	1	1									
13	Right Water Supply Tube		2A0079-02	1	1									
14	Vinyl Hose	L=190 mm	7716-2025	1	1									
15	Vinyl Hose	L=670 mm	7716-2025	1	1									
16	Cube Guide A		214905-01	1	1									
17	Tee		4A0177-01	1	1									
18	Cleaning Valve Handle		215383-01	1	1									
19	Cleaning Valve Microswitch		4A2546-01	1	1									
20	Cleaning Valve Ball Valve		439293-01	1	1									
21	Cleaning Valve Male Adaptor		325826-01	2	2									
22	Cleaning Valve O-Ring		7611-P018	2	-	Replaced with thread sealant tape								
23	Rubber Ring		439236-01	1	1									
24	Bypass Hose		439265-01	1	1									
25	Spring		435825-01	1	1									
26	Silicone Hose	L=130 mm	773013812	2	2									
27	Connector		432763-01	1	1									
28	Silicone Hose	L=80 mm	773013812	1	1									
29	Float Switch		4A3624-02	1	1									
30	Float Switch Connector		426799-01	1	1									
31	Drain Hose		435092-01	1	1									
32	Hose A		435091-01	1	1									
33	Upper Drain Valve Housing		3A1170-01	1	1									
34	O-Ring		7611-G035	1	1									
35	Spring		322685-01	1	1									
36	Valve Seat		433705-01	1	1									
37	Lower Drain Valve Housing		435054-01	1	1									
38	Hose C		326655-01	1	1									
39	Overflow Cap		322816-01	1	1									
40	Overflow Pipe		322691-01	1	1									
41	O-Ring		4A1234-01	1	1									



Title: B. Water Circuit Model: KM-1601MRH/3												
Index No.	Description	Material or Model Number	Part Number	Required Number								
				Q-0 to A-0	A-1 to H-0							
42	Pump Motor Assembly (includes items 43a through 51b)	S-0731	215693A01	1	1							
42a	Hex Head Bolt w/Washer (LF)	5x12, SS	7B0230512	1	1							
43	Pump Motor		2U0106-01	1	1							
44	Pump Flange		215662-01	1	1							
44a	Hexagon Bolt	6x40, SS	7B02-0640	4	4							
44b	Tooth Washer	M6, SS	7R22-0600	1	1							
44c	Flat Washer	M6, SS	7W22-0600	4	4							
44d	Split Lock Washer	M6, SS	7L22-0600	4	4							
44e	Hex Nut	M6, SS	7N12-0600	4	4							
45	Pump Motor Bracket	SS	435057-01	1	1							
46	Mechanical Seal		4A3820-01	1	1							
47	Packing		428547-01	1	1							
48	Impeller		428548-01	1	1							
49	Pin	SS	4A0648-01	1	1							
50	Pump Housing		212636-01	1	1							
50a	Hexagon Bolt	4x30, SS	7B02-0430	4	4							
50b	Flange Nut	M4, SS	7J02-0400	4	4							
<b>Hose Clamps</b>												
	Hose Clamp	18 mm, SS	427443-05	4	4							
		25 mm, SS	427443-03	11	11							
		27 mm, SS	427443-08	2	2							

**C. Control Box Assembly**  
**KM-1601MRH/3**  
 Q-0 to H-0

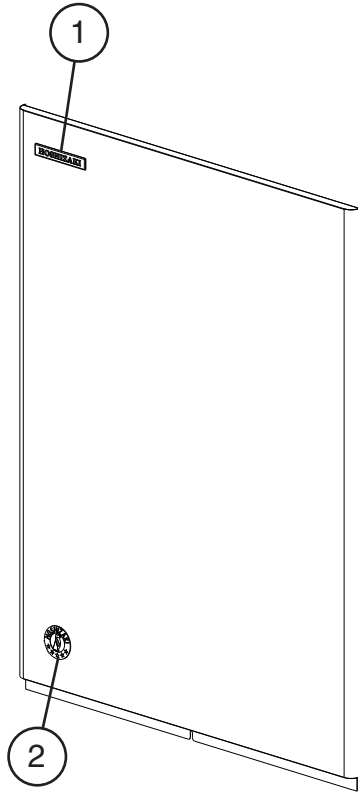


Title: C. Control Box Assembly Model: KM-1601MRH/3				Required Number							
Index No.	Description	Material or Model Number	Part Number	Q-0 to D-0	D-1 to H-0						
1	Magnetic Contactor		4A0794-01	1	1						
2	Pump Motor Capacitor	10MFD, 250VAC	443192-01	1	1						
3	Control Transformer		3A0172-01	1	1						
4	"E" Control Board		2A1410-01	1	-						
	"G" Control Board		2A3792-01		1						
4a	Control Board Support		4A0336-03	4	4						
5	Bin Control Thermostat		4A2879-02	1	1						
6	K4 Jumper		4A4883G01		1						
7	Control Switch		443119-01	1	1						
8	Fuse Holder (control)		4A5443-01	1	1						
9	Fuse (control)	AGC-10A, 250V	4A0893-07	1	1						

## D. Accessories & Labels

### KM-1601MRH/3

Q-0 to H-0



Title: D. Accessories & Labels Model: KM-1601MRH/3											
Index No.	Description	Material or Model Number	Part Number	Q-0 to H-0	Required Number						
1	Hoshizaki Emblem Label		4A0560-01	1							
2	Penguin Label		4A0526-01	1							
3	Universal Brace		4A0363-01	2							
3a	Hex Bolt	5x12, SS	7B02-0512	2							