



HOSHIZAKI

Parts List

Stackable Crescent Cuber

Models

KM-160ISAH/3

KM-160ISWH/3

KM-160ISRH/3



hoshizakiamerica.com

Number: 71249
Issued: 8-23-2006
Revised: 9-27-2016

CONTENTS

Auxiliary Codes.....	3
Note About Ordering Parts	4
A. Ice Cuber Assembly & Refrigeration Circuit	5
KM-1601SAH/3.....	5
KM-1601SWH/3.....	8
KM-1601SRH/3.....	11
B. Water Circuit	14
C. Control Box Assembly	17
KM-1601SAH.....	17
KM-1601SAH3, KM-1601SWH/3, KM-1601SRH/3	19
D. Accessories and Labels.....	20

Auxiliary Codes

KM-1601SAH
 A-0 April 2011
 B-0 March 2012
 C-0 January 2013
 D-0 January 2014
 E-0 January 2015
 F-0 January 2016

KM-1601SAH3
 A-0 April 2011
 B-0 June 2011
 C-0 February 2013
 D-0 January 2014
 E-0 January 2015
 F-0 January 2016

KM-1601SWH
 R-0 May 2006
 R-1 July 2006
 S-1 July 2007
 S-2 October 2007
 T-0 April 2008
 U-0 January 2009
 V-0 January 2010
 V-1 July 2010
 A-0 March 2011
 B-0 February 2012
 C-0 February 2013
 D-0 January 2014
 D-1 February 2014
 E-0 February 2015
 F-0 January 2016

KM-1601SWH3
 R-0 May 2006
 S-1 August 2007
 S-2 October 2007
 T-0 January 2008
 U-0 June 2009
 V-0 February 2010
 V-1 July 2010
 A-0 January 2011
 B-0 February 2012
 C-0 January 2013
 D-0 January 2014
 D-1 March 2014
 E-0 January 2015
 F-0 February 2016

KM-1601SRH
 R-0 April 2006
 R-1 August 2006
 S-1 January 2007
 S-2 December 2007
 T-0 February 2008
 U-0 January 2009
 V-0 January 2010
 V-1 August 2010
 A-0 January 2011
 A-1 September 2011
 B-0 January 2012
 B-1 December 2012
 C-0 January 2013
 D-0 January 2014
 E-0 January 2015
 F-0 January 2016

KM-1601SRH3
 R-0 April 2006
 R-1 July 2006
 S-1 January 2007
 S-2 December 2007
 T-0 January 2008
 U-0 January 2009
 V-0 January 2010
 V-1 July 2010
 A-0 January 2011
 A-1 October 2011
 B-0 January 2012
 C-0 January 2013
 D-0 January 2014
 D-1 February 2014
 E-0 January 2015
 F-0 January 2016

Auxiliary Code Breakdown

The auxiliary code is the first two characters in the serial number. The first character indicates the year. Years progress or regress in alphabetical order. The series runs from "A" through "V" and the letters "I" and "O" are skipped. The second character indicates significant part changes within a year. Base is "0" and this number advances for each change. In cases where there is a letter in parentheses, this designates the month. This is the last character in the serial number. The series runs from "(A)" through "(M)" and the letter "(I)" is skipped. This designation is only included when identifying a parts change within an auxiliary code.

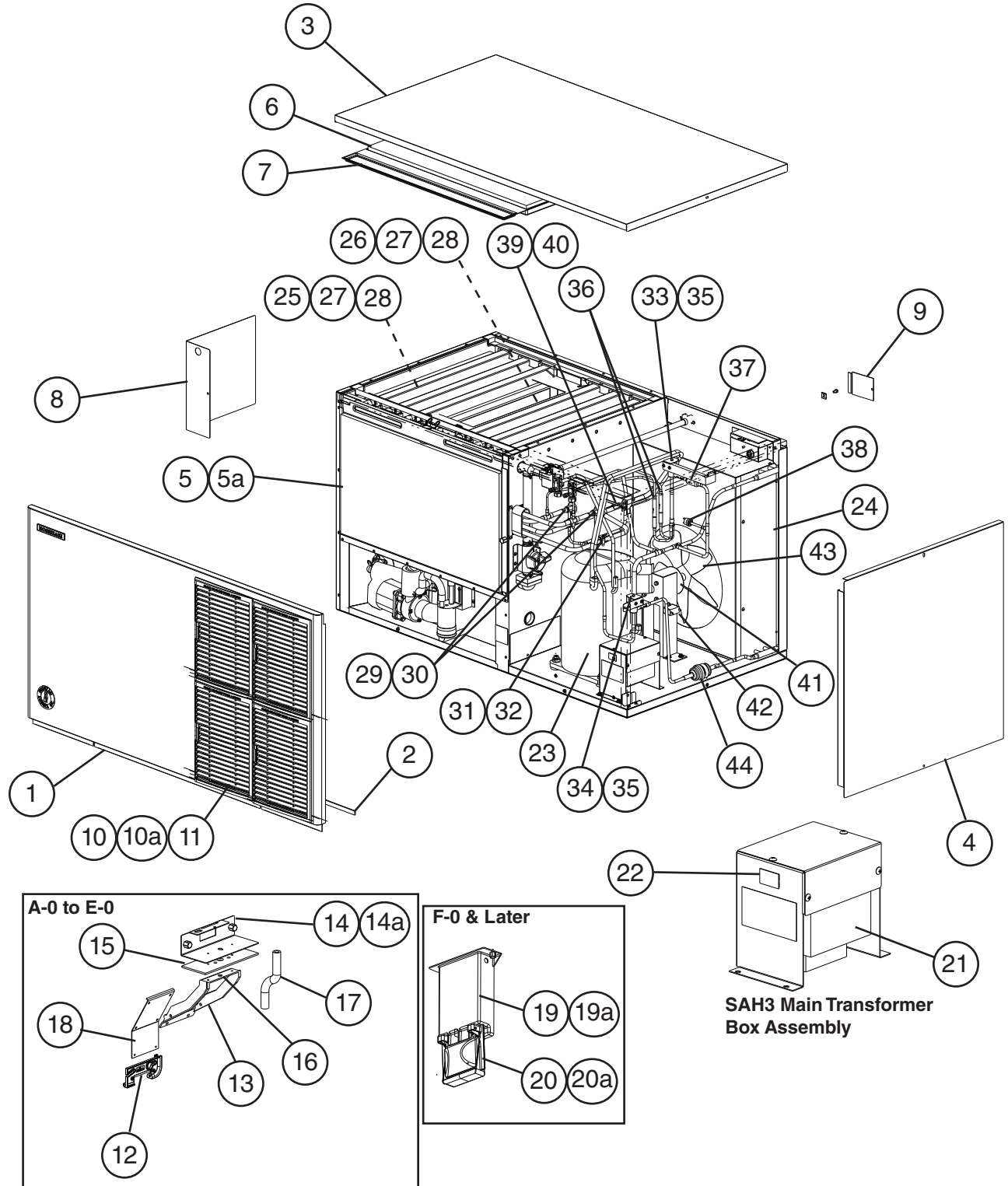
Note About Ordering Parts

Most assemblies cannot be ordered as complete units; parts in the assemblies generally must be ordered separately.

A. Ice Cuber Assembly & Refrigeration Circuit

KM-1601SAH/3

A-0 to F-0



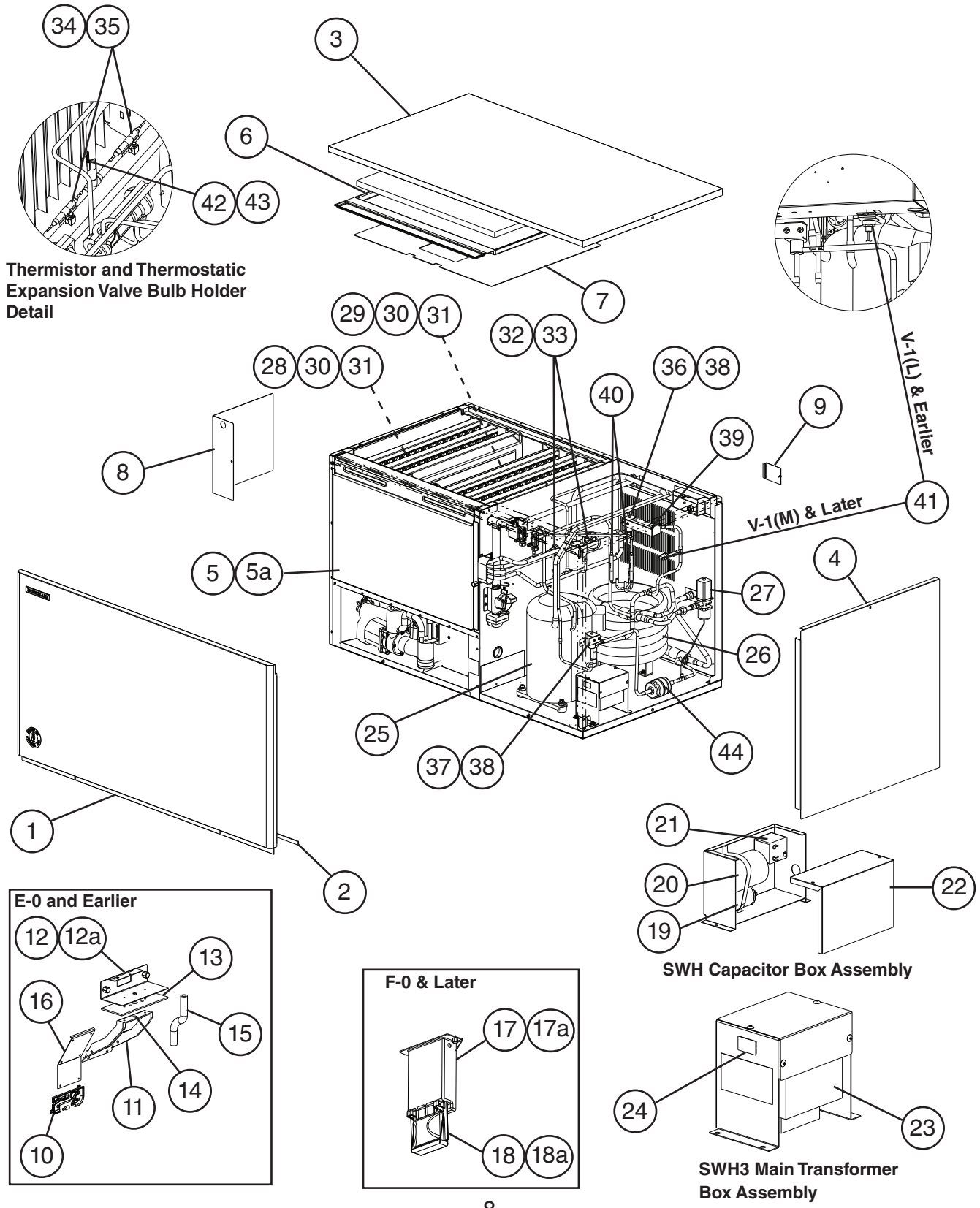
Title: A. Ice Cuber Assembly & Refrigeration Circuit Model: KM-1601SAH/3												
Index No.	Description	Material or Model Number	Part Number	Required Number								
				A-0 to E-0	F-0							
Ice Cuber Assembly												
1	Front Panel		2A2224-02	1	1							
2	Gasket	L=1218 mm	4A0808L02	1	1							
3	Top Panel		2A2255-01	1	1							
4	Right Side Panel		2A2226G01	1	1							
5	Front Insulation		324215G01	1	1							
5a	Thumbscrew		415949G12	1	1							
6	Top Insulation		324216G01	1	1							
7	Spacer		324321-01	1	1							
8	Control Box Cover		3A2386-01	1	1							
9	Junction Box Cover		433410-01	1	1							
10	Louver		1A0548-01	4	4							
10a	Push Retainer		4A2414-01	12	12							
11	Air Filter		2A2063G01	4	4							
12	Bin Control Bulb Holder		3A3903-01	1	-							
13	Bin Control Bulb Holder C		216340G01	1	-							
14	Bin Control Bulb Holder D		328742-01	1	-							
14a	Thumbscrew		415949G12	2	-							
15	Spacer		439727-01	1	-							
16	Capillary Ring		425307-01		-							
17	Silicone Hose	L=285 mm	7730I3812	1	-							
18	Bin Control Extension Bracket		3A0408-01	1	-							
19	Mounting Bracket		3A5726-01		1							
19a	Thumbscrew		415949G12		2							
20	Mechanical Bin Control		2A4393G01		1							
20a	Thumbscrew		415949G12		2							
21	Main Transformer	KM-1601SAH3	4A0817-01	1	1							
22	Voltage Tap Switch	KM-1601SAH3	4A1477-01	1	1							
Refrigeration Circuit												
23	Compressor	KM-1601SAH	4A2334-01	1	1							
		KM-1601SAH3	4A2330-01	1	1							
24	Condenser		213621-01	1	1							
25	Left Evaporator Bank (3 Plates)	HS-0208	2A0414G02	1	1							
26	Right Evaporator Bank (3 Plates)	HS-0209	2A0415G02	1	1							
27	Evaporator Plate		10344G01	6	6							
28	Separator Hook		324152-01	8	8							
29	Thermostatic Expansion Valve		4A1482-01	2	2							
30	Thermostatic Expansion Valve Cover		3A0944-01	2	2							
31	Thermostatic Expansion Valve Bulb Holder		3A0107-01	2	2							
32	Clamp		443461-02	2	2							
33	Hot Gas Valve Body		4A3978-01	1	1							
34	Liquid Line Valve Body		4A3276-01	1	1							
35	Valve Coil		4A3277-01	2	2							

Title: A. Ice Cuber Assembly & Refrigeration Circuit Model: KM-1601SAH/3											
Index No.	Description	Material or Model Number	Part Number	Required Number							
				A-0 to E-0	F-0						
36	Check Valve		4A1373-01	2	2						
37	Strainer		441569-02	1	1						
38	High-Pressure Switch		463180-04	1	1						
39	Thermistor		429006-03	1	1						
40	Thermistor Holder		427430-01	1	1						
41	Fan Motor		4A3158-01	1	1						
42	Fan Motor Capacitor	5MFD, 250VAC	443192-02	1	1						
43	Fan Blade		4A4144-01	1	1						
44	Drier		4A2666-01	1	1						

A. Ice Cuber Assembly & Refrigeration Circuit

KM-1601SWH/3

R-0 to F-0



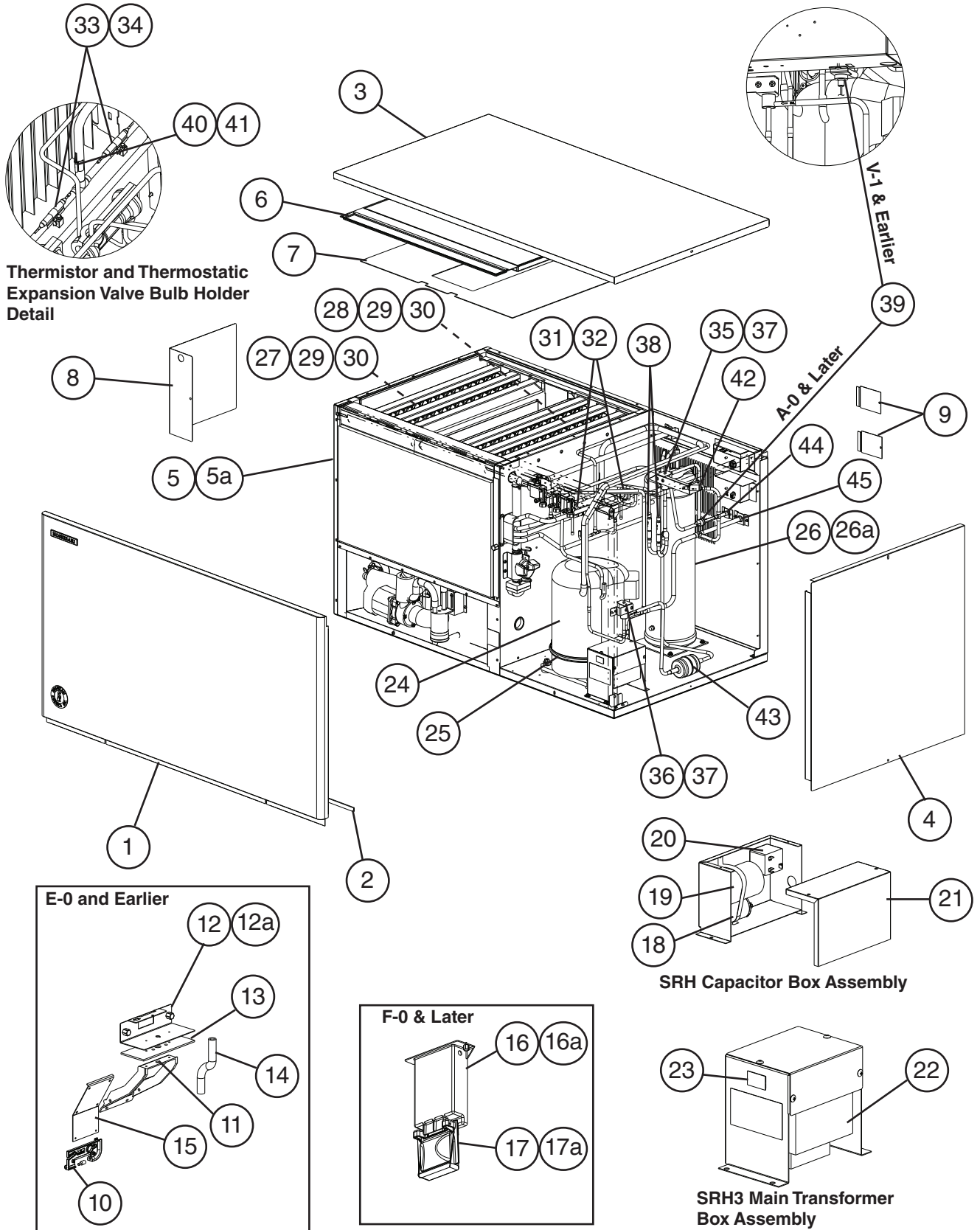
Title: A. Ice Cuber Assembly & Refrigeration Circuit Model: KM-1601SWH/3												
Index No.	Description	Material or Model Number	Part Number	Required Number								
				R-0 to V-1 (L)	V-1 (M) to D-0	D-1 E-0	F-0					
Ice Cuber Assembly												
1	Front Panel		3A1969G01	1	1	1	1					
2	Gasket	L=1218 mm	4A0808L02	1	1	1	1					
3	Top Panel		2A2255-01	1	1	1	1					
4	Right Side Panel		2A2226G01	1	1	1	1					
5	Front Insulation		324215G01	1	1	1	1					
5a	Thumbscrew		415949G12	1	1	1	1					
6	Top Insulation		324216G01	1	1	1	1					
7	Spacer		324321-01	1	1	1	1					
8	Control Box Cover		3A2386-01	1	1	1	1					
9	Junction Box Cover		433410-01	1	1	1	1					
10	Bin Control Bulb Holder		3A3903-01	1	1	1	1					
11	Bin Control Bulb Holder C		216340G01	1	1	1	-					
12	Bin Control Bulb Holder D		328742-01	1	1	1	-					
12a	Thumbscrew		415949G12	1	2	2	-					
13	Spacer		439727-01	1	1	1	-					
14	Capillary Ring		425307-01	1	1	1	-					
15	Silicone Hose	L=285 mm	773013812	1	1	1	-					
16	Bin Control Extension Bracket		3A0408-01	1	1	1	-					
17	Mounting Bracket		3A5726-01				1					
17a	Thumbscrew		415949G12				2					
18	Mechanical Bin Control		2A4393G01				1					
18a	Thumbscrew		415949G12				2					
19	Run Capacitor	KM-1601SWH 35MFD, 370VAC	3A2005-05	1	1	1	1					
20	Start Capacitor	KM-1601SWH 145-174MFD, 250VAC	3A0076-01	1	1	1	1					
21	Start Relay	KM-1601SWH	4A1107-09	1	1	1	1					
22	Capacitor Box Cover	KM-1601SWH	326125-01	1	1	1	1					
23	Main Transformer	KM-1601SWH3	4A0817-01	1	1	1	1					
24	Voltage Tap Switch	KM-1601SWH3	4A1477-01	1	1	1	1					
Refrigeration Circuit												
25	Compressor	KM-1601SWH	4A2334-01	1	1	1	1					
		KM-1601SWH3	4A2330-01	1	1	1	1					
26	Condenser		2A2359G05	1	1	-						
				3A7324-01			1	1				
27	Water Regulating Valve		4A0911-07	1	1	1	1					
28	Left Evaporator Bank (3 Plates)	HS-0208	2A0414G02	1	1	1	1					
29	Right Evaporator Bank (3 Plates)	HS-0209	2A0415G02	1	1	1	1					
30	Evaporator Plate		103444G01	6	6	6	6					
31	Separator Hook		324152-01	8	8	8	8					
32	Thermostatic Expansion Valve		4A1482-01	2	2	2	2					

Title: A. Ice Cuber Assembly & Refrigeration Circuit Model: KM-1601SWH/3											
Index No.	Description	Material or Model Number	Part Number	Required Number							
				R-0 to V-1 (L)	V-1 (M) to D-0	D-1 E-0	F-0				
33	Thermostatic Expansion Valve Cover		3A0944-01	2	2	2	2				
34	Thermostatic Expansion Valve Bulb Holder		3A0107-01	2	2	2	2				
35	Clamp		443461-02	2	2	2	2				
36	Hot Gas Valve Body (R-0 must also order 1 of item 38: Valve Coil)	See Service Bulletin SB05-0004	4A3978-01	1	1	1	1				
37	Liquid Line Valve Body (R-0 must also order 1 of item 38: Valve Coil)	See Service Bulletin SB05-0004	4A3276-01	1	1	1	1				
38	Valve Coil (R-0 must order 1 of items 36 or 37)	See Service Bulletin SB05-0004	4A3277-01	2	2	2	2				
39	Check Valve		4A1373-01	2	2	2	2				
40	Strainer		441569-02	1	1	1	1				
41	High-Pressure Switch		433441-05	1	-						
			463180-05		1	1	1				
42	Thermistor		429006-03	1	1	1	1				
43	Thermistor Holder		438247-01	1	1	1	1				
44	Drier		4A2663-01	1	1	1	1				

A. Ice Cuber Assembly & Refrigeration Circuit

KM-1601SRH/3

R-0 to F-0



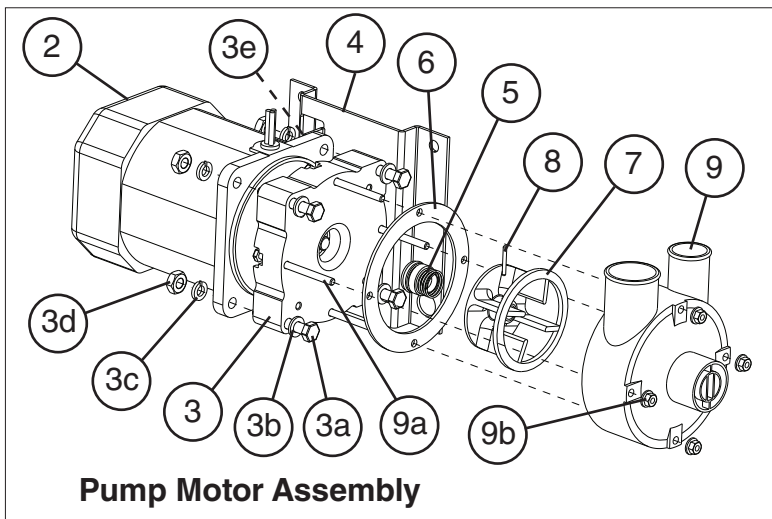
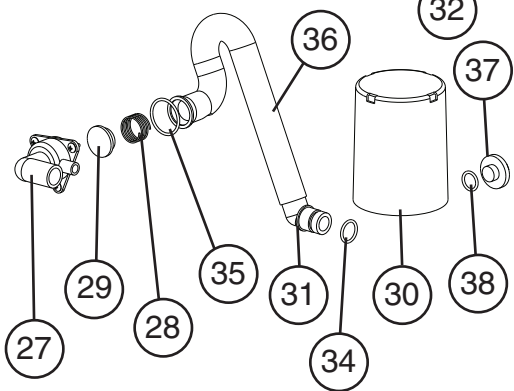
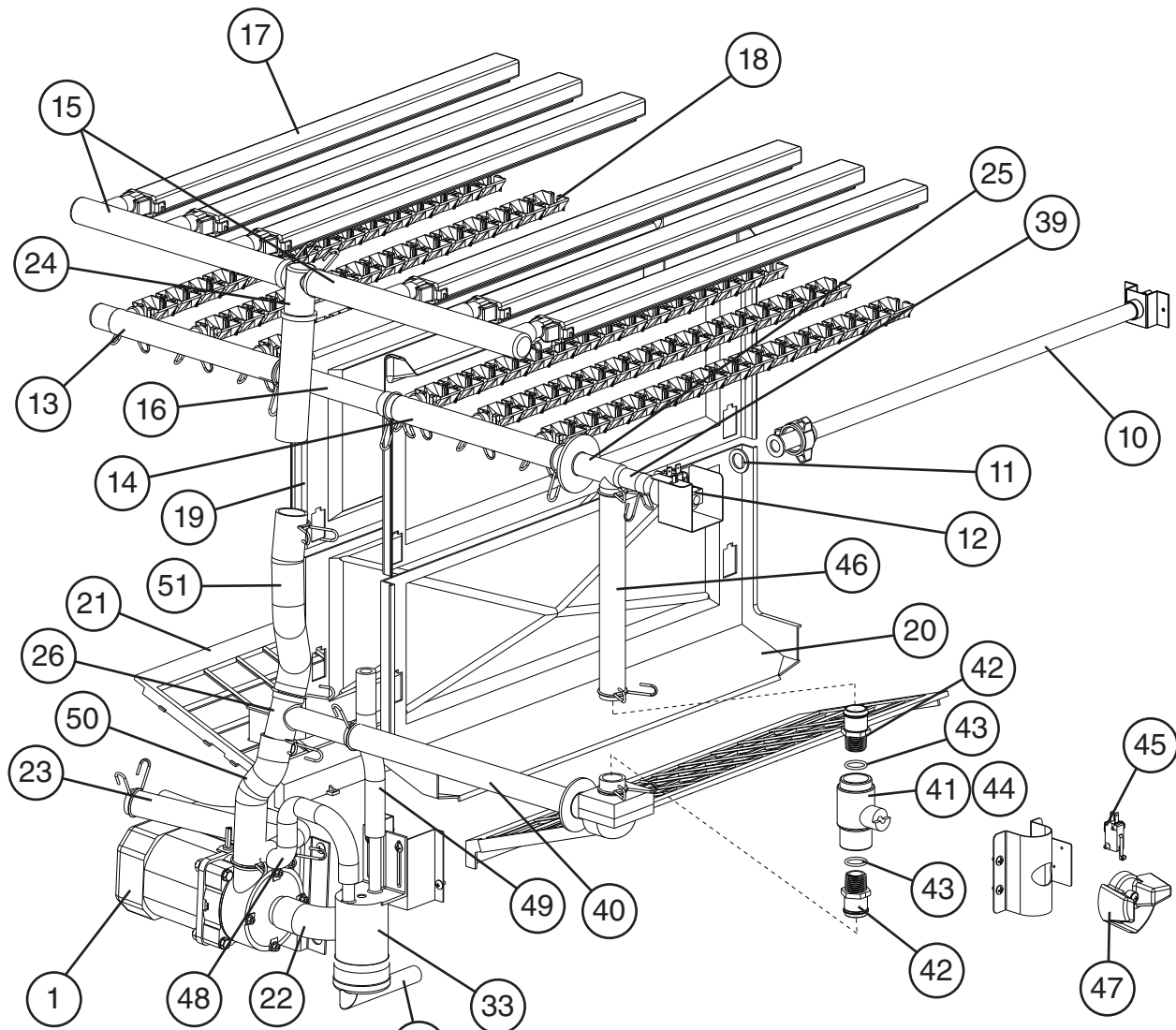
Title: A. Ice Cuber Assembly & Refrigeration Circuit Model: KM-1601SRH/3													
Index No.	Description	Material or Model Number	Part Number	Required Number									
				R-0 to V-1	A-0	A-1 to D-0	F-0						
Ice Cuber Assembly													
1	Front Panel		3A1969G01	1	1	1	1						
2	Gasket	L=1218 mm	4A0808L02	1	1	1	1						
3	Top Panel		2A2255-01	1	1	1	1						
4	Right Side Panel		2A2226G01	1	1	1	1						
5	Front Insulation		324215G01	1	1	1	1						
5a	Thumbscrew		415949G12	1	1	1	1						
6	Top Insulation		324216G01	1	1	1	1						
7	Spacer		324321-01	1	1	1	1						
8	Control Box Cover		3A2386-01	1	1	1	1						
9	Junction Box Cover		433410-01	2	2	2	2						
10	Bin Control Bulb Holder		3A3903-01	1	1	1	-						
11	Bin Control Bulb Holder C		216340G01	1	1	1	-						
12	Bin Control Bulb Holder D		328742-01	1	1	1	-						
12a	Thumbscrew		415949G12	1	2	2	-						
13	Spacer		439727-01	1	1	1	-						
14	Silicone Hose	L=285 mm	773013812	1	1	1	-						
15	Bin Control Extension Bracket		3A0408-01	1	1	1	-						
16	Mounting Bracket		3A5726-01				1						
16a	Thumbscrew		415949G12				2						
17	Mechanical Bin Control		2A4393G01				1						
17a	Thumbscrew		415949G12				2						
18	Run Capacitor	KM-1601SRH 35MFD, 370VAC	3A2005-05	1	1	1	1						
19	Start Capacitor	KM-1601SRH 145-174MFD, 250VAC	3A0076-01	1	1	1	1						
20	Start Relay	KM-1601SRH	4A1107-09	1	1	1	1						
21	Capacitor Box Cover	KM-1601SRH	326125-01	1	1	1	1						
22	Main Transformer	KM-1601SRH3	4A0817-01	1	1	1	1						
23	Voltage Tap Switch	KM-1601SRH3	4A1477-01	1	1	1	1						
Refrigeration Circuit													
24	Compressor (A-1 and later utilize external crankcase heater - item 25)	KM-1601SRH	4A2334-02	1	1	-							
			4A2334-01			1	1						
			KM-1601SRH3	4A2330-02	1	1	-						
				4A2330-01			1	1					
25	Crankcase Heater		4A5397-02			1	1						
26	Receiver		440366-01	1	1	1	1						
26a	Hex Head Bolt w/Washer	5x10, SS	7B0230510	3	3	3	3						
27	Left Evaporator Bank (3 Plates)	HS-0208	2A0414G02	1	1	1	1						
28	Right Evaporator Bank (3 Plates)	HS-0209	2A0415G02	1	1	1	1						
29	Evaporator Plate		103444G01	6	6	6	6						
30	Separator Hook		324152-01	8	8	8	8						
31	Thermostatic Expansion Valve		4A1482-01	2	2	2	2						

Title: A. Ice Cuber Assembly & Refrigeration Circuit Model: KM-1601SRH/3													
Index No.	Description	Material or Model Number	Part Number	Required Number									
				R-0 to V-1	A-0	A-1 to D-0	F-0						
32	Thermostatic Expansion Valve Cover		3A0944-01	2	2	2	2						
33	Thermostatic Expansion Valve Bulb Holder		3A0107-01	2	2	2	2						
34	Clamp		443461-02	2	2	2	2						
35	Hot Gas Valve Body (R-0 must also order 1 of item 37: Valve Coil)	See Service Bulletin SB05-0004	4A3978-01	1	1	1	1						
36	Liquid Line Valve Body (R-0 must also order 1 of item 37: Valve Coil)	See Service Bulletin SB05-0004	4A3276-01	1	1	1	1						
37	Valve Coil (R-0 must order 1 of items 35 or 36)	See Service Bulletin SB05-0004	4A3277-01	2	2	2	2						
38	Check Valve		4A2054-01	2	2	2	2						
39	High-Pressure Switch		433441-07	1	-								
			463180-04		1	1	1						
40	Thermistor		429006-03	1	1	1	1						
41	Thermistor Holder		438247-01	1	1	1	1						
42	Strainer		441569-02	1	1	1	1						
43	Drier		4A2663-01	1	1	1	1						
44	Liquid Line Coupling		433751G01	1	1	1	1						
45	Discharge Line Coupling		434072-01	1	1	1	1						

B. Water Circuit

KM-1601SAH/3, KM-1601SWH/3, KM-1601SRH/3

R-0 to F-0



Title: B. Water Circuit Model: KM-1601SAH/3, KM-1601SWH/3, KM-1601SRH/3

Index No.	Description	Material or Model Number	Part Number	Required Number								
				R-0 R-1	S-1	S-2 to V-1 (L)	V-1 (M)	A-0 to F-0				
1	Pump Motor Assembly (includes items 2 through 9b)	S-0730	215692A03	1	1	1	1	1				
2	Pump Motor		2U0106-01	1	1	1	1	1				
3	Pump Flange		215662-01	1	1	1	1	1				
3a	Hex Head Bolt	6x40	7B02-0640	4	4	4	4	4				
3b	Flat Washer		7W22-0600	4	4	4	4	4				
3c	Split Lock Washer		7L22-0600	4	4	4	4	4				
3d	Hex Nut		7N12-0600	4	4	4	4	4				
3e	Tooth Washer		7R22-0600	2	2	2	2	2				
4	Pump Motor Bracket		323904-01	1	1	1	1	1				
5	Mechanical Seal		4A3820-01	1	1	1	1	1				
6	Packing		428547-01	1	1	1	1	1				
7	Impeller		436584-01	1	1	1	1	1				
8	Pin		4A0648-01	1	1	1	1	1				
9	Pump Housing		213687-01	1	1	1	1	1				
9a	Hex Head Bolt	4x55	7B02-0455	4	4	4	4	4				
9b	Hex Flange Nut		7J02-0400	4	4	4	4	4				
10	Water Supply Pipe		4A5216G04	1	1	1	1	1				
11	Rubber Gasket		413854-03	1	1	1	1	1				
12	Inlet Water Valve	KM-1601SAH/3	4A5251-02					1				
		KM-1601SWH/3	3U0111-02	1	1	-						
			4A1176-04			1	-					
			4A5251-04					1	1			
		KM-1601SRH/3 * Use 3U0111-01 for replacement in R-0 to S-1. See Service Manual for dip switch settings.	3U0111-02*	1	-							
			3U0111-01		1	-						
			4A1176-04			1	-					
		4A5251-04					1	1				
13	Distributor Hose A		325738-01	1	1	1	1	1				
14	Distributor Hose B		325738-02	1	1	1	1	1				
15	Distributor Hose C		323985-01	2	2	2	2	2				
16	Joint Pipe		439297-01	1	1	1	1	1				
17	Spray Tube		437049G01	6	6	6	6	6				
18	Spray Guide		208586-01	18	18	18	18	18				
19	Separator A		213622-01	2	2	2	2	2				
20	Separator B		2A0100-01	2	2	2	2	2				
21	Cube Guide		214243-01	2	2	2	2	2				
22	Hose A		435091-01	1	1	1	1	1				
23	Hose B		436599-01	1	1	1	1	1				
24	Distributor		438276G01	1	1	1	1	1				
25	Distributor B		439239-01	1	1	1	1	1				
26	Distributor C		439238-01	1	1	1	1	1				
27	Drain Valve Housing		323613-01	1	1	1	1	1				
28	Drain Valve Spring		322110-01	1	1	1	1	1				

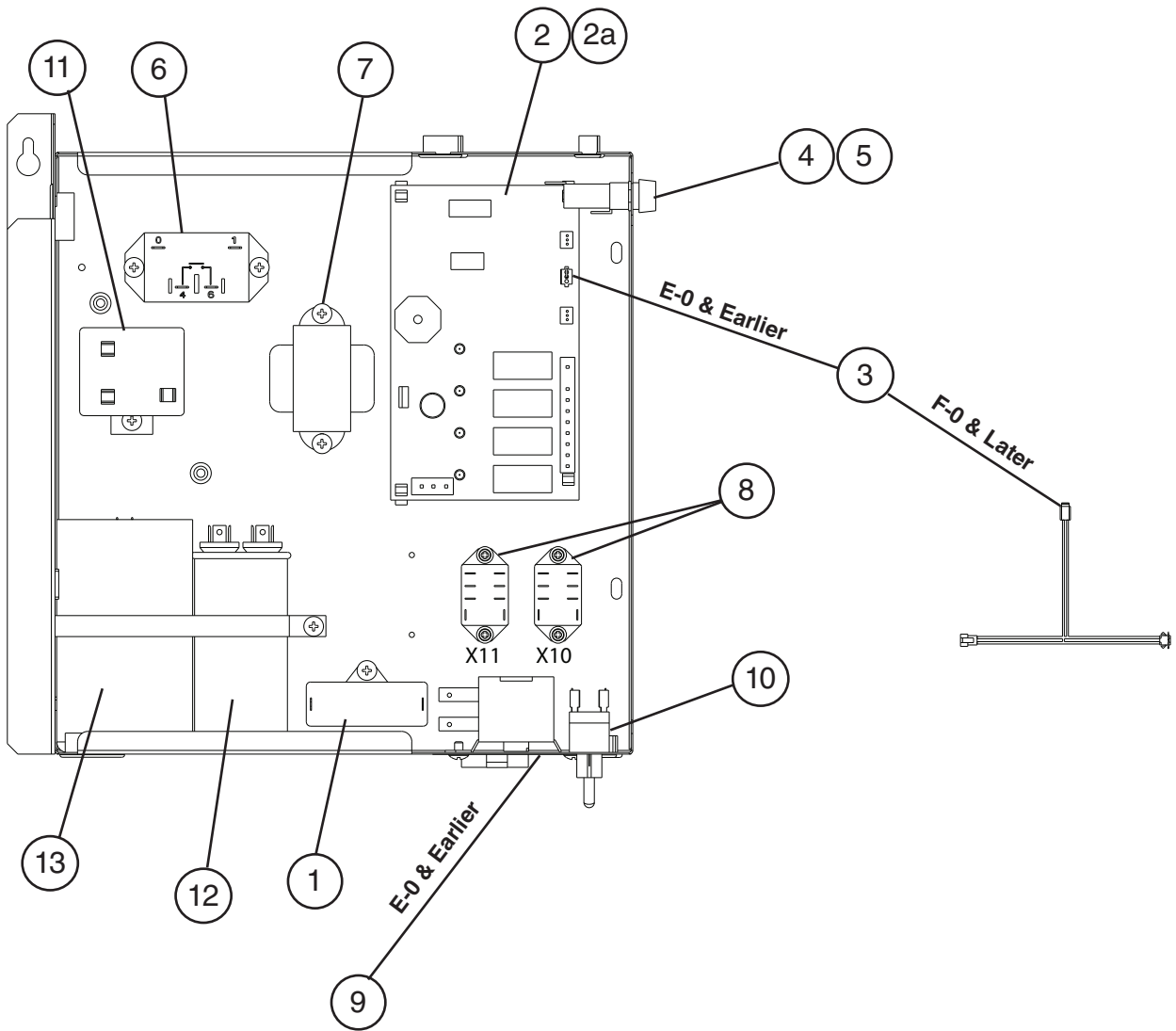
Title: B. Water Circuit Model: KM-1601SAH/3, KM-1601SWH/3, KM-1601SRH/3

Index No.	Description	Material or Model Number	Part Number	Required Number										
				R-0 R-1	S-1	S-2 to V-1 (L)	V-1 (M)	A-0 to F-0						
29	Drain Valve Seat		433705-01	1	1	1	1	1						
30	Overflow Cap		323978-01	1	1	1	1	1						
31	Overflow Joint		323923-02	1	1	1	1	-						
32	Float Switch Connector		426799-04	1	1	1	1	1						
33	Float Switch		4A3624-01	1	1	1	1	1						
34	"O" Ring		7611-P018	1	1	1	1	-						
35	Drain Valve "O" Ring		7611-G035	1	1	1	1	1						
36	Drain Hose		324757-01	1	1	1	1	1						
37	Drain Plug		309246-01	1	1	1	1	1						
38	Drain Plug "O" Ring		7611-P015	1	1	1	1	1						
39	Joint Hose		439296-01	1	1	1	1	1						
40	Bypass Hose		439237-02	1	1	1	1	1						
41	Ball Valve Assembly		442137A01	1	1	1	1	1						
42	Cleaning Valve Male Adaptor		325826-01	2	2	2	2	2						
43	Cleaning Valve "O" Ring		7611-P018	2	2	2	2		Replaced with thread sealant tape.					
44	Cleaning Valve Ball Valve		439293-01	1	1	1	1	1						
45	Cleaning Valve Microswitch		4A2546-01	1	1	1	1	1						
46	Joint Hose		439309-02	1	1	1	1	1						
47	Cleaning Valve Handle		215383-01	1	1	1	1	1						
48	Silicone Hose	L=390 mm	7730I3896	1	1	1	1	1						
49	Silicone Hose	L=140 mm	7730I3812	1	1	1	1	1						
50	Vinyl Hose	L=170 mm	7716-2732	1	1	1	1	1						
51	Vinyl Hose	L=230 mm	7716-2732	1	1	1	1	1						
Hose Clamps														
	Hose Clamp	13.5 mm	427443-07	6	6	6	6	6						
	Hose Clamp	16.5 mm	427443-04	1	1	1	1	1						
	Hose Clamp	25 mm	427443-03	11	11	11	11	11						
	Hose Clamp	32 mm	427443-09	4	4	4	4	4						

C. Control Box Assembly

KM-1601SAH

A-0 to F-0



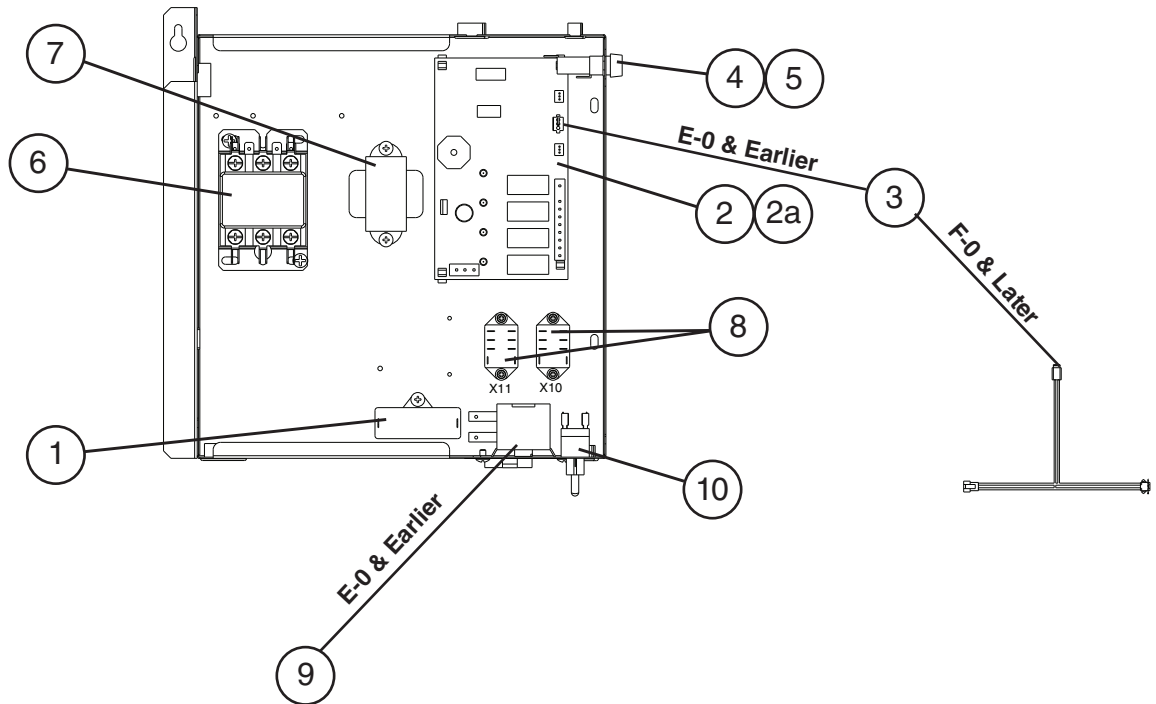
Title: C. Control Box Assembly Model: KM-1601SAH

Index No.	Description	Material or Model Number	Part Number	Required Number											
				A-0 to E-0	F-0										
1	Pump Motor Capacitor	10MFD, 250VAC	443192-01	1	1										
2	"G" Control Board		2A3792-01	1	1										
2a	Control Board Support		4A0336-03	4	4										
3	K4 Jumper		4A4883G01	1	-										
	Wire Harness		4A5197G01		1										
4	Fuse	10A, 250VAC	4A0893-07	1	1										
5	Fuse Holder		4A5443-01	1	1										
6	Compressor Relay		4A3140-01	1	1										
7	Control Transformer		3A0172-01	1	1										
8	Harvest Pump Timer Relays		406132-07	2	2										
9	Bin Control Thermostat		4A2879-02	1	-										
10	Control Switch		443119-01	1	1										
11	Start Relay		4A1107-09	1	1										
12	Run Capacitor	35MFD, 370VAC	3A2005-05	1	1										
13	Start Capacitor	145-175MFD 250VAC	3A0076-01	1	1										

C. Control Box Assembly

KM-1601SAH3, KM-1601SWH/3, KM-1601SRH/3

R-0 to F-0

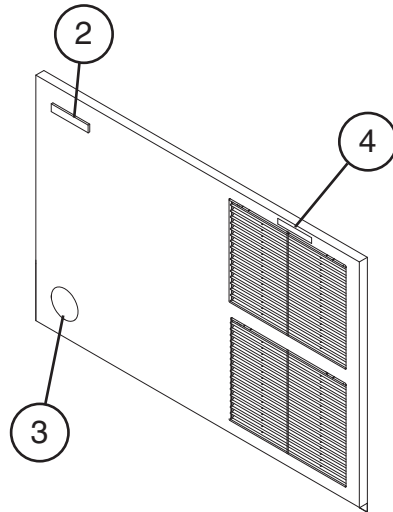


Title: C. Control Box Assembly Model: KM-1601SAH3, KM-1601SWH/3, KM-1601SRH/3										
Index No.	Description	Material or Model Number	Part Number	Required Number						
				R-0 to B-0	C-0 to E-0	F-0				
1	Pump Motor Capacitor	10MFD, 250VAC	443192-01	1	1	1				
2	"G" Control Board	KM-1601SAH3	2A3792-01	1	1	1				
	"E" Control Board	KM-1601SWH/3 KM-1601SRH/3	2A1410-02	1	-					
	"G" Control Board	KM-1601SWH/3 KM-1601SRH/3	2A3792-01		1	1				
2a	Control Board Support		4A0336-03	4	4	4				
3	K4 Jumper		4A4883G01	1	1	-				
	Wire Harness		4A5197G01			1				
4	Fuse	10A, 250VAC	4A0893-07	1	1	1				
5	Fuse Holder		4A5443-01	1	1	1				
6	Magnetic Contactor	KM-1601SAH3	4A0794-02	1	1	1				
		KM-1601SWH/3								
		KM-1601SRH/3	4A0794-01	1	1	1				
7	Control Transformer		3A0172-01	1	1	1				
8	Harvest Pump Timer Relays	KM-1601SAH3	406132-07		2	2				
9	Bin Control Thermostat		4A2879-02	1	1	-				
10	Control Switch		443119-01	1	1	1				

D. Accessories and Labels

KM-1601SAH/3, KM-1601SWH/3, KM-1601SRH/3

R-0 to F-0



Title: D. Accessories and Labels Model: KM-1601SAH/3, KM-1601SWH/3, KM-1601SRH/3										
Index No.	Description	Material or Model Number	Part Number	Required Number						
				R-0 to D-0 (H)	D-0 (J) to F-0					
1	Universal Brace		4A0363-01	2	2					
1a	Hex Head Bolt	5x12, SS	7B02-0512	2	2					
2	HOSHIZAKI Emblem Label		4A0560-01	1	1					
3	Penguin Label		4A0526-01	1	1					
4	Air Filter Label	KM-1601SAH/3	426177-01	1	-					