



HOSHIZAKI

Parts List

Stackable Crescent Cuber

Models

KM-1900SAJ/3

KM-1900SWJ/3

KM-1900SRJ/3



hoshizakiamerica.com

Number: 71384

Issued: 8-31-2017

Revised: 10-8-2018

CONTENTS

Auxiliary Codes.....	3
Note About Ordering Parts	3
A. Main Assembly & Refrigeration Circuit	4
KM-1900SAJ/3	4
KM-1900SWJ/3	6
KM-1900SRJ/3.....	8
B. Water Circuit	10
C. Control Box Assembly	13
D. Accessories & Labels	14

Auxiliary Codes

KM-1900SAJ

G-0 May 2017
G-1 October 2017
H-0 January 2018

KM-1900SAJ3

G-0 May 2017
G-1 October 2017
H-0 January 2018

KM-1900SWJ

G-0 May 2017
G-1 October 2017
H-0 March 2018

KM-1900SWJ3

G-0 May 2017
G-1 October 2017
H-0 January 2018

KM-1900SRJ

G-0 May 2017
G-1 October 2017
H-0 January 2018

KM-1900SRJ3

G-0 May 2017
G-1 November 2017
H-0 January 2018

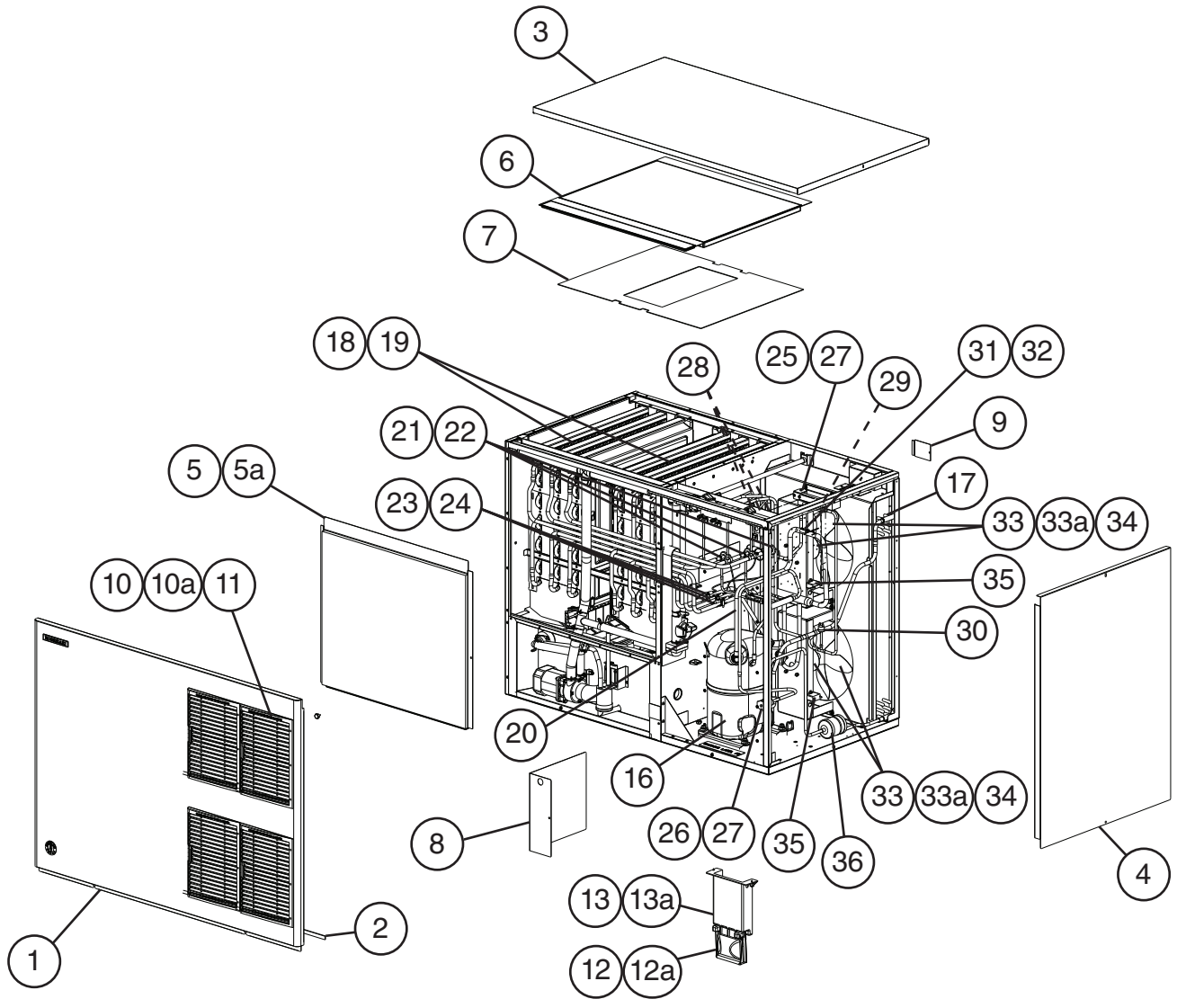
Auxiliary Code Breakdown

The auxiliary code is the first two characters in the serial number. The first character indicates the year. Years progress or regress in alphabetical order. The series runs from "A" through "V" and the letters "I" and "O" are skipped. The second character indicates significant part changes within a year. Base is "0" and this number advances for each change. In cases where there is a letter in parentheses, this designates the month. This is the last character in the serial number. The series runs from "(A)" through "(M)" and the letter "(I)" is skipped. This designation is only included when identifying a parts change within an auxiliary code.

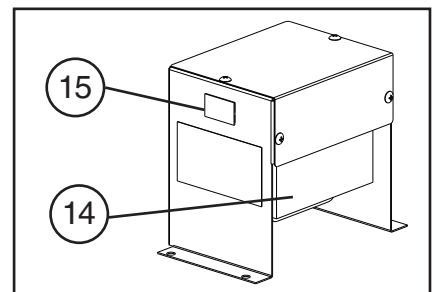
Note About Ordering Parts

Most assemblies cannot be ordered as complete units; parts in the assemblies generally must be ordered separately.

A. Main Assembly & Refrigeration Circuit
KM-1900SAJ/3
 G-0 to H-0



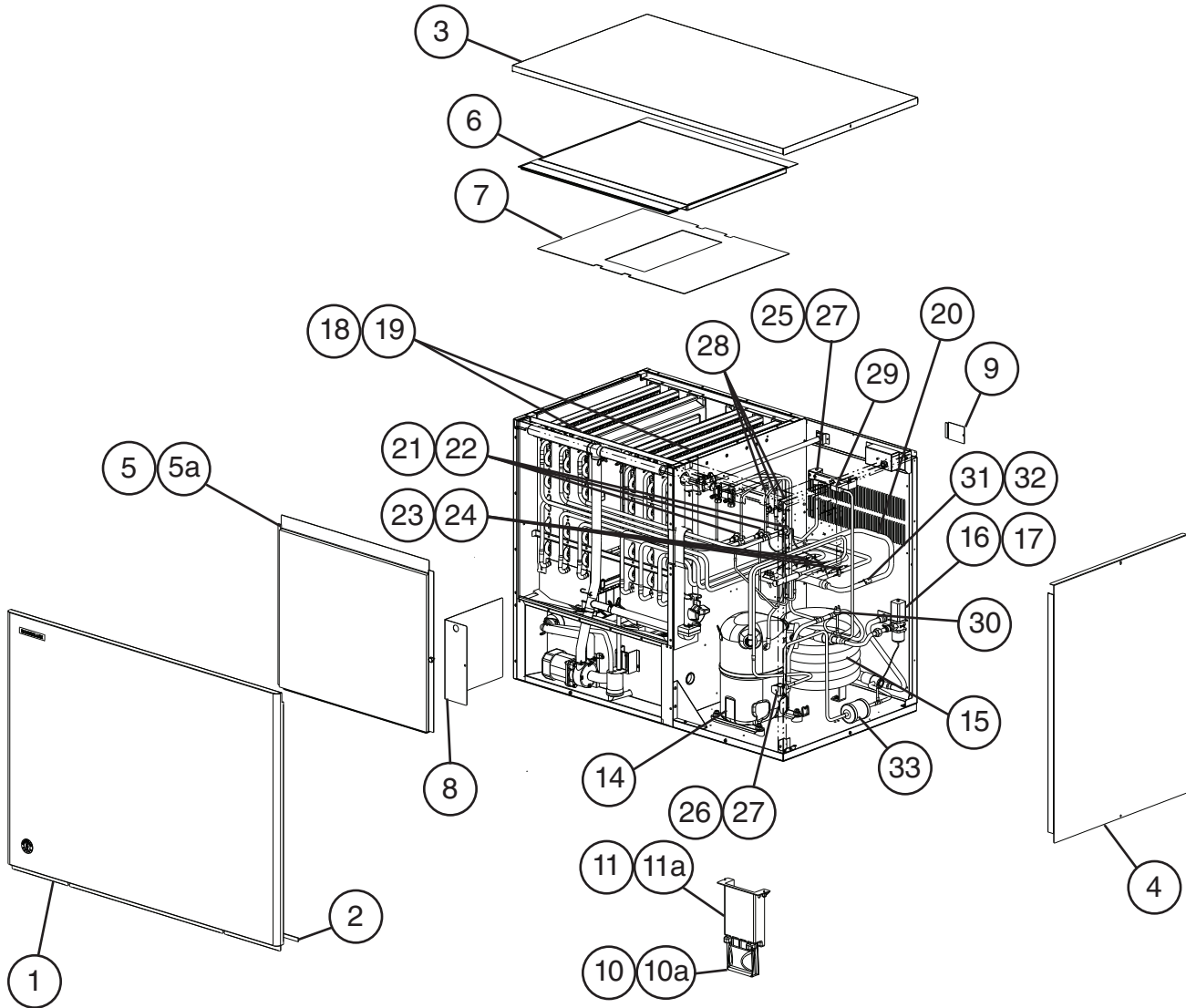
Model Shown: KM-1900SAJ



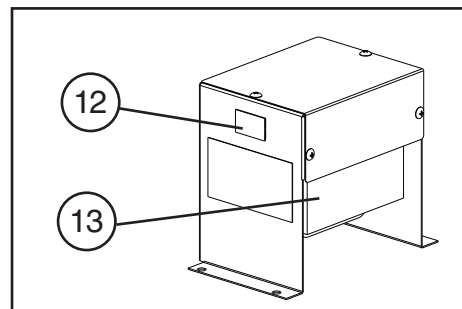
KM-1900SAJ3

Title: A. Main Assembly & Refrigeration Circuit Model: KM-1900SAJ/3												
Index No.	Description	Material or Model Number	Part Number	Required Number								
				G-0 to H-0								
Main Assembly												
1	Front Panel		3A1800G01	1								
2	Gasket	L=1219 mm	4A0808L02	1								
3	Top Panel		2A2255-01	1								
4	Right Side Panel		215381G02	1								
5	Front Insulation		326041G01	1								
5a	Thumbscrew		415949G10	1								
6	Top Insulation		324216G01	1								
7	Spacer		324321-01	1								
8	Control Box Cover		3A2386-01	1								
9	Junction Box Cover		433410-01	1								
10	Louver		1A0548-01	4								
10a	Push Retainer		4A2414-01	12								
11	Air Filter		2A2063G01	4								
12	Mechanical Bin Control		2A4393G01	1								
12a	Thumbscrew		415949G10	2								
13	Mechanical Bin Control Mounting Bracket		3A5726-01	1								
13a	Thumbscrew		415949G10	2								
14	Main Transformer	KM-1900SAJ3	4A5695-01	1								
15	Voltage Tap Switch	KM-1900SAJ3	4A1477-01	1								
Refrigeration Circuit												
16	Compressor	KM-1900SAJ	4A4581-01	1								
		KM-1900SAJ3	4A4582-01	1								
17	Condenser		2A1991-01	1								
18	Left or Right Evaporator Bank (includes 4 of item 19)		SP-5371	2								
19	Separator Hook		324152-01	8								
20	Heat Exchanger		1A4462G01	1								
21	Thermostatic Expansion Valve		4A1414-01	3								
22	Thermostatic Expansion Valve Cover		3A0944-01	3								
23	Thermostatic Expansion Valve Bulb Holder		3A0107-01	3								
24	Clamp		443461-02	3								
25	Hot Gas Valve Body		4A3978-01	1								
26	Liquid Line Valve Body		4A3276-01	1								
27	Valve Coil		4A3277-01	2								
28	Check Valve		4A1373-01	3								
29	Strainer		441569-02	1								
30	High-Pressure Switch		463180-04	1								
31	Thermistor		429006-03	1								
32	Thermistor Holder		438247-01	1								
33	Fan Motor		4A3158-01	2								
33a	Self-Locking Nut		7N2110832	8								
34	Fan Blade		4A0197-01	2								
35	Fan Motor Capacitor	5.0MFD, 250VAC	443192-02	2								
36	Drier		4A1338-01	1								

A. Main Assembly & Refrigeration Circuit
KM-1900SWJ/3
 G-0 to H-0



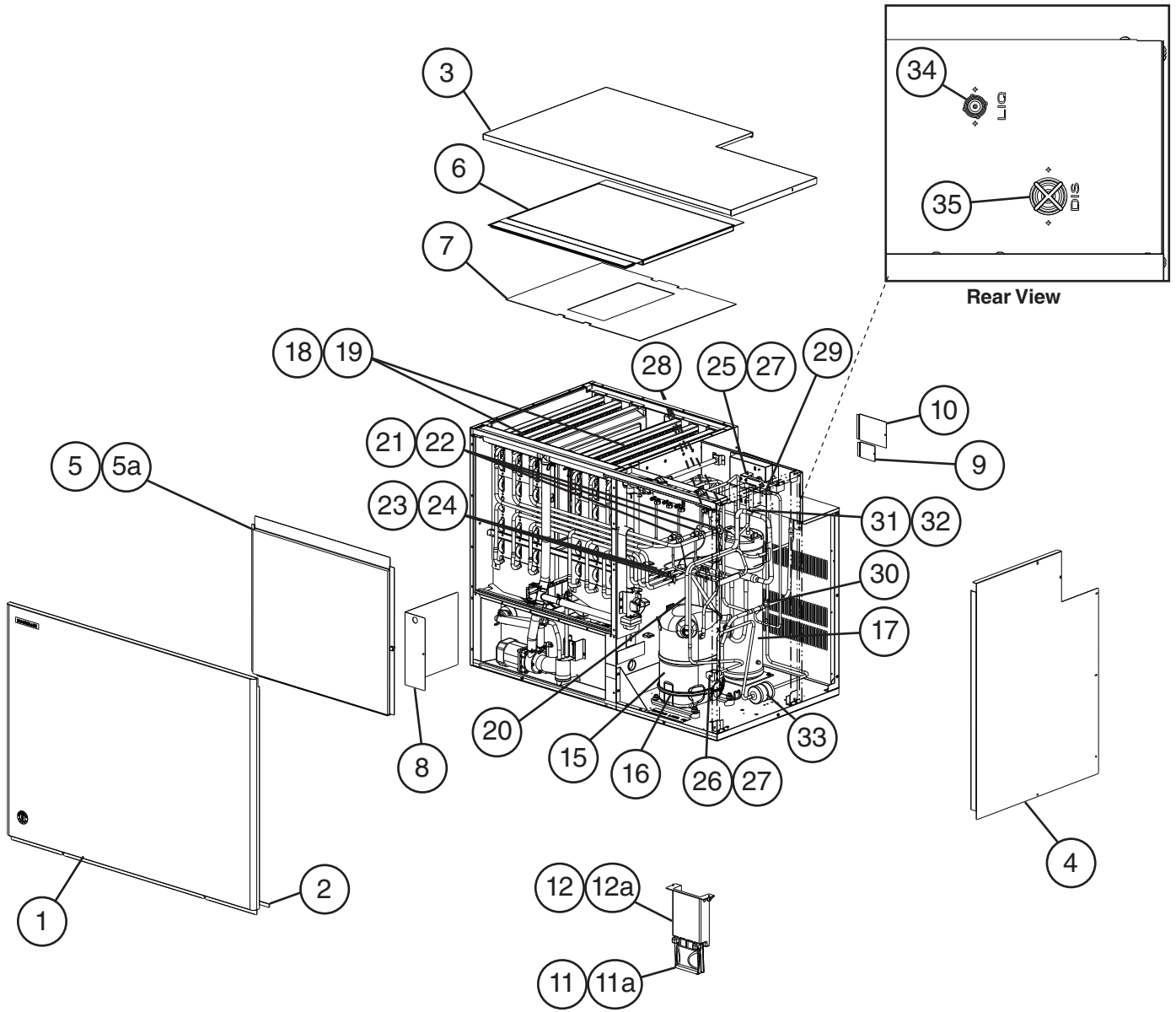
Model Shown: KM-1900SWJ



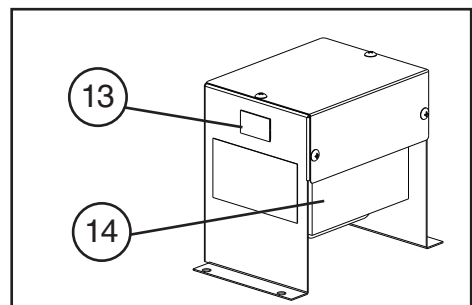
KM-1900SWJ3

Title: A. Main Assembly & Refrigeration Circuit Model: KM-1900SWJ/3											
Index No.	Description	Material or Model Number	Part Number	G-0 to H-0	Required Number						
Main Assembly											
1	Front Panel		3A1838G01	1							
2	Gasket	L=1219 mm	4A0808L02	1							
3	Top Panel		2A2255-01	1							
4	Right Side Panel		215381G02	1							
5	Front Insulation		326041G01	1							
5a	Thumbscrew		415949G10	1							
6	Top Insulation		324216G01	1							
7	Spacer		324321-01	1							
8	Control Box Cover		3A2386-01	1							
9	Junction Box Cover		433410-01	1							
10	Mechanical Bin Control		2A4393G01	1							
10a	Thumbscrew		415949G10	2							
11	Mechanical Bin Control Mounting Bracket		3A5726-01	1							
11a	Thumbscrew		415949G10	1							
12	Main Transformer	KM-1900SWJ3	4A5695-01	1							
13	Voltage Tap Switch	KM-1900SWJ3	4A1477-01	1							
Refrigeration Circuit											
14	Compressor	KM-1900SWJ	4A4581-01	1							
		KM-1900SWJ3	4A4582-01	1							
15	Water-Cooled Condenser		3A7324-01	1							
16	Water Regulating Valve		4A0911-07	1							
17	Male Connector		4A1087-01	1							
18	Left or Right Evaporator Bank (includes 4 of item 19)		SP-5371	2							
19	Separator Hook		324152-01	8							
20	Heat Exchanger		1A4467G01	1							
21	Thermostatic Expansion Valve		4A1414-01	3							
22	Thermostatic Expansion Valve Cover		3A0944-01	3							
23	Thermostatic Expansion Valve Bulb Holder		3A0107-01	3							
24	Clamp		443461-02	1							
25	Hot Gas Valve Body		4A3978-01	1							
26	Liquid Line Valve Body		4A3276-01	1							
27	Valve Coil		4A3277-01	2							
28	Check Valve		4A1373-01	3							
29	Strainer		441569-02	1							
30	High-Pressure Switch		463180-05	1							
31	Thermistor	L=1050 mm	429006-03	1							
32	Thermistor Holder		438247-01	1							
33	Drier		4A1338-01	1							

A. Main Assembly & Refrigeration Circuit
KM-1900SRJ/3
 G-0 to H-0



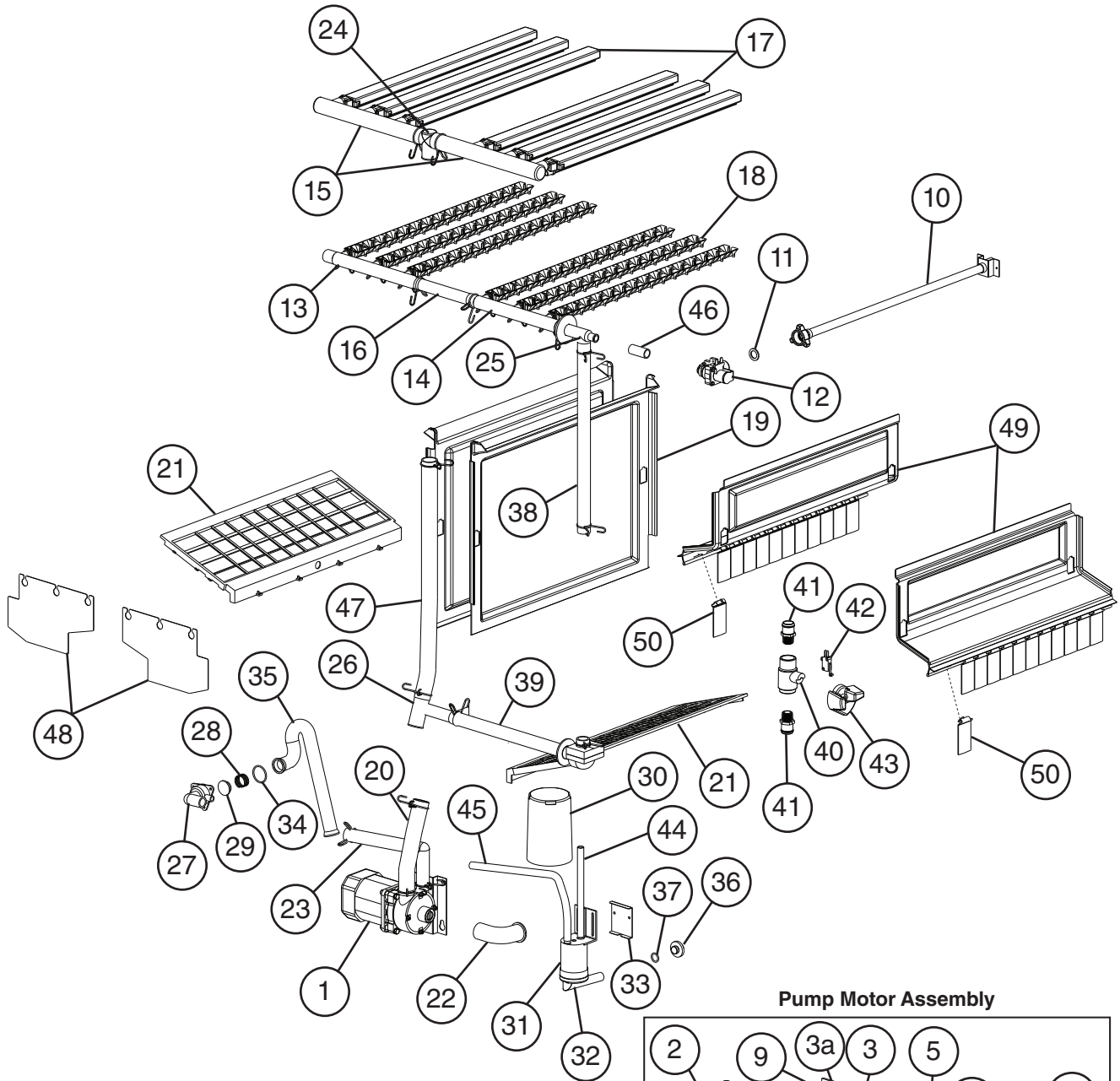
Model Shown: KM-1900SRJ



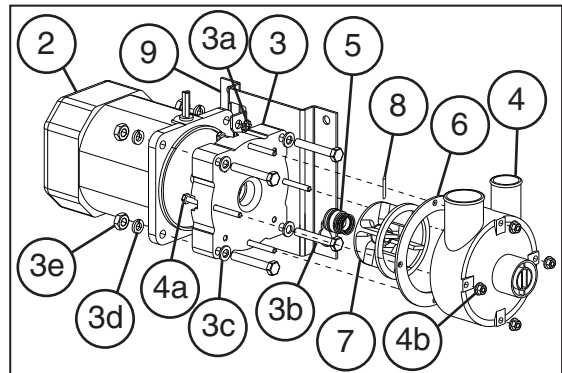
KM-1900SRJ3

Title: A. Main Assembly & Refrigeration Circuit Model: KM-1900SRJ/3												
Index No.	Description	Material or Model Number	Part Number	G-0 to H-0	Required Number							
Main Assembly												
1	Front Panel		3A1838G01	1								
2	Gasket	L=1219 mm	4A0808L02	1								
3	Top Panel		2A8390-01	1								
4	Right Side Panel		2A8391-01	1								
5	Front Insulation		326041G01	1								
5a	Thumbscrew		415949G10	1								
6	Top Insulation		324216G01	1								
7	Spacer		324321-01	1								
8	Control Box Cover		3A2386-01	1								
9	Junction Box Cover A		433410-01	1								
10	Junction Box Cover B		4A4704-01	1								
11	Mechanical Bin Control		2A4393G01	1								
11a	Thumbscrew		415949G10	2								
12	Mechanical Bin Control Mounting Bracket		3A5726-01	1								
12a	Thumbscrew		415949G10	1								
13	Main Transformer	KM-1900SRJ3	4A5695-01	1								
14	Voltage Tap Switch	KM-1900SRJ3	4A1477-01	1								
Refrigeration Circuit												
15	Compressor	KM-1900SRJ	4A4581-01	1								
		KM-1900SRJ3	4A4582-01	1								
16	Crankcase Heater		4A5397-02	1								
17	Receiver		4A6215-01	1								
18	Left or Right Evaporator Bank (includes 4 of item 19)		SP-5371	2								
19	Separator Hook		324152-01	8								
20	Heat Exchanger		1A4462G01	1								
21	Thermostatic Expansion Valve		4A1414-01	3								
22	Thermostatic Expansion Valve Cover		3A0944-01	3								
23	Thermostatic Expansion Valve Bulb Holder		3A0107-01	3								
24	Clamp		443461-02	3								
25	Hot Gas Valve Body		4A3978-01	1								
26	Liquid Line Valve Body		4A3276-01	1								
27	Valve Coil		4A3277-01	2								
28	Check Valve		4A1373-01	3								
29	Strainer		441569-02	1								
30	High-Pressure Switch		463180-04	1								
31	Thermistor	L=1050 mm	429006-03	1								
32	Thermistor Holder		438247-01	1								
33	Drier		4A1338-01	1								
34	Liquid Line Coupling		426554-01	1								
35	Discharge Line Coupling		434072-01	1								

B. Water Circuit
KM-1900S_J/3
 G-0 to H-0



Pump Motor Assembly



Title: B. Water Circuit Model: KM-1900S_J/3												
Index No.	Description	Material or Model Number	Part Number	G-0 to H-0	Required Number							
1	Pump Motor Assembly (includes items 2 through 9b)	S-0730	215692A03	1								
2	Pump Motor		2U0106-01	1								
3	Pump Flange		215662-01	1								
3a	Tooth Washer		7R22-0600	2								
3b	Hex Head Bolt	6x40	7B02-0640	4								
3c	Flat Washer		7W22-0600	4								
3d	Split Lock Washer		7L22-0600	4								
3e	Hex Nut		7N12-0600	4								
4	Pump Housing		213687-01	1								
4a	Hex Head Bolt	4x55	7B02-0455	4								
4b	Hex Flange Nut		7J02-0400	4								
5	Mechanical Seal		4A3820-01	1								
6	Packing		428547-01	1								
7	Impeller		436584-01	1								
8	Pin		4A0648-01	1								
9	Pump Motor Bracket		323904-01	1								
10	Water Supply Pipe	KM-1900SAJ/3	4A0768G04	1								
		KM-1900SWJ/3										
		KM-1900SRJ/3	4A0768G11	1								
11	Rubber Gasket		413854-03	1								
12	Inlet Water Valve		3U0111-01	1								
13	Distributor Hose A		325738-01	1								
14	Distributor Hose B		325738-02	1								
15	Distributor Hose C		325739-01	2								
16	Joint Pipe		439297-01	1								
17	Spray Tube		437049G01	6								
18	Spray Guide		2A4282-02	6								
19	Separator A		215046-01	2								
20	Vinyl Hose	L=230 mm	7716-2732	1								
21	Cube Guide		214243-01	2								
22	Hose A		435091-01	1								
23	Hose B		325867-01	1								
24	Distributor A		439266-01	1								
25	Distributor B (Tee)		439239-01	1								
26	Distributor C		439238-01	1								
27	Drain Valve Housing		323613-01	1								
28	Spring		322110-01	1								
29	Valve Seat		433705-01	1								
30	Overflow Cap		325866-01	1								
31	Float Switch Connector		426799-04	1								
32	Float Switch		4A3624-01	1								
33	Float Switch Stop		3A9640-01	1								
34	O-Ring		7611-G035	1								
35	Drain Hose		325869-01	1								
36	Drain Plug		309246-01	1								

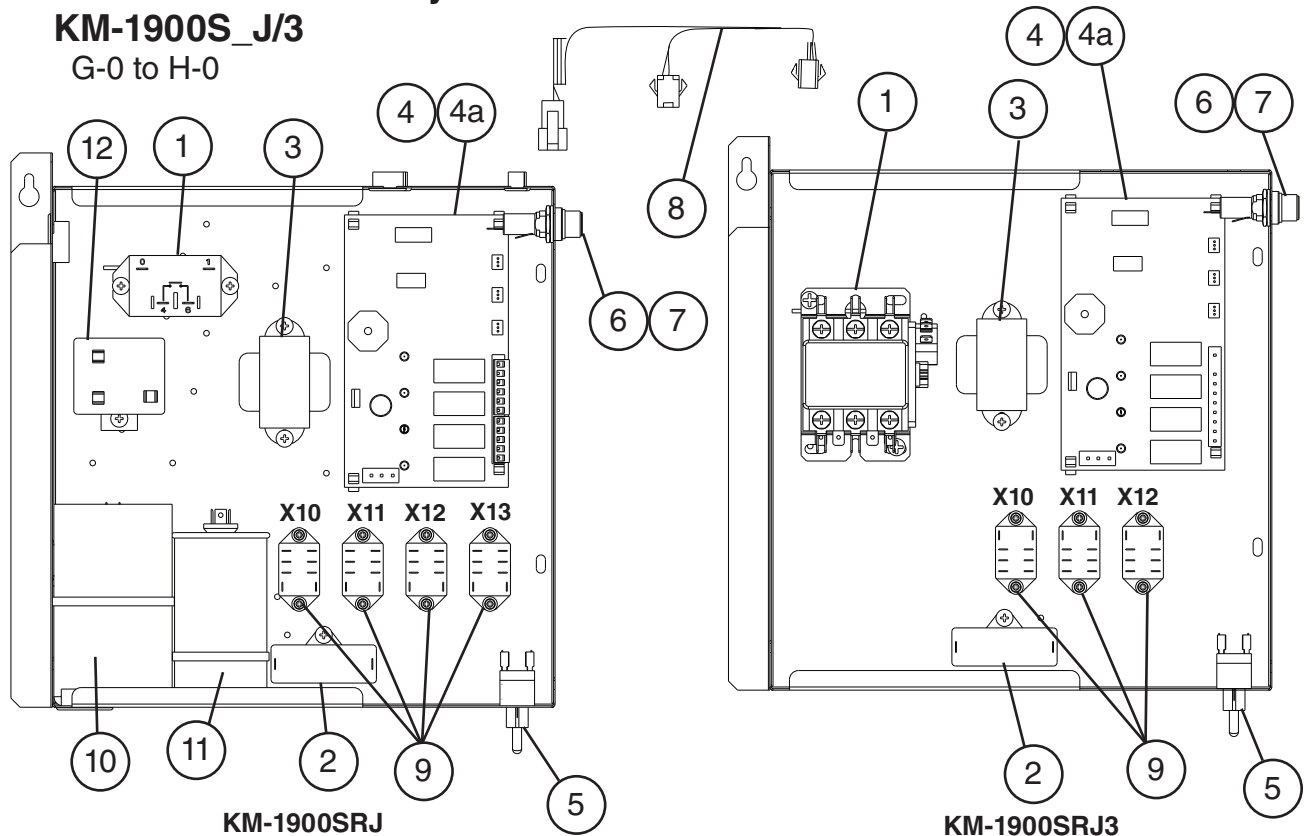
Title: B. Water Circuit Model: KM-1900S_J/3

Index No.	Description	Material or Model Number	Part Number	Required Number											
				G-0 to H-0											
37	O-Ring		7611-P015	1											
38	Joint Hose		439309-01	1											
39	Bypass Hose		439237-02	1											
40	Control Valve Ball Valve	S-0761	439293-01	1											
41	Control Valve Male Adaptor		325826-01	2											
42	Control Valve Microswitch		4A2546-01	1											
43	Control Valve Handle		215383-01	1											
44	Silicone Hose	L=190 mm	773013812	1											
45	Silicone Hose	L=430 mm	773013896	1											
46	Vinyl Hose	L=40 mm	7716-1519	1											
47	Vinyl Hose	L=550 mm	7716-2732	1											
48	Splash Guard		4A6141-01	2											
49	Splash Curtain		1A4890-01	2											
50	Separator		3A9811-01	24											
Hose Clamps															
	Hose Clamp	25 mm	427443-03	9											
	Hose Clamp	13.5 mm	427443-07	6											
	Hose Clamp	32 mm	427443-09	6											
	Hose Clamp	17-21 mm	4A2017-05	1											

C. Control Box Assembly

KM-1900S_J/3

G-0 to H-0



KM-1900SRJ

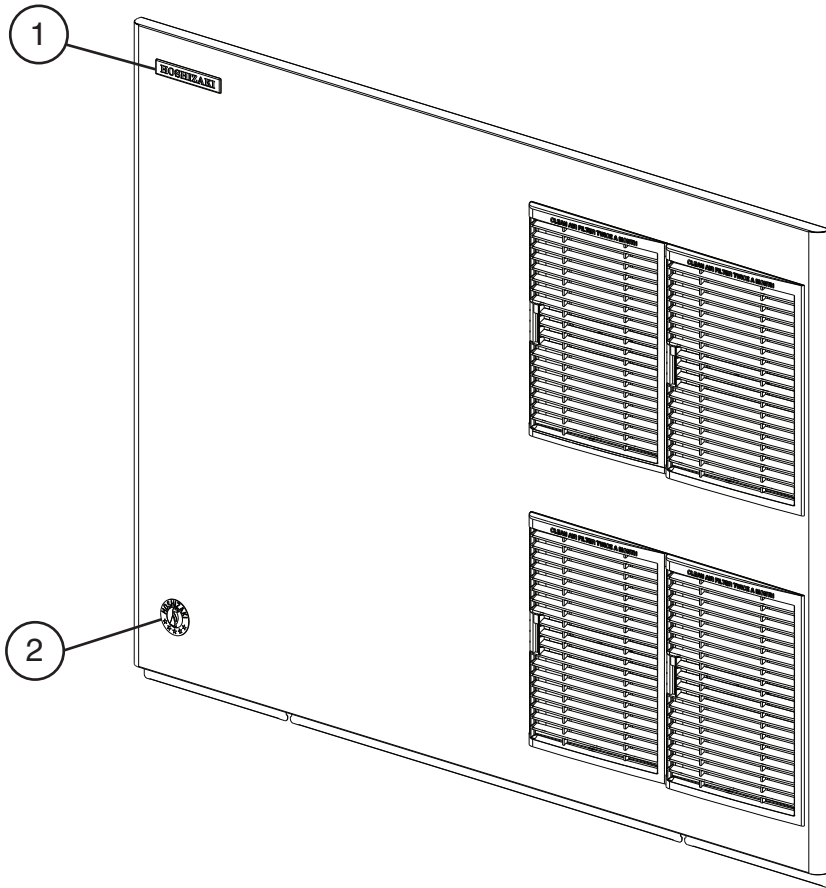
KM-1900SRJ3

Title: C. Control Box Assembly Model: KM-1900S_J/3					Required Number											
Index No.	Description	Material or Model Number	Part Number	G-0 to H-0												
1	Compressor Relay	KM-1900SAJ KM-1900SWJ KM-1900SRJ	4A3140-01	1												
	Magnetic Contactor	KM-1900SAJ3 KM-1900SWJ3 KM-1900SRJ3	4A0794-02 4A0794-01	1 1												
2	Pump Motor Capacitor	15MFD, 240VAC	439705-01	1												
3	Control Transformer		3A0172-01	1												
4	Control Board		2A7664-04	1												
4a	Control Board Support		4A0336-03	4												
5	Toggle Switch (control)		443119-01	1												
6	Fuse Holder		4A5443-01	1												
7	Fuse	AGC-10A, 250VAC	4A0893-07	1												
8	Wire Harness		4A5197G01	1												
9	Relay X10 = Pump Direction Relay X11 = X10 Control Relay X12 = Anti-Slush Control Relay	All Models	406132-07	3												
	X13 = Crankcase Heater	KM-1900SRJ		1												
10	Start Capacitor	189-227MFD, 330VAC	3A0076-12	1												
11	Run Capacitor	35MFD, 440VAC	3A2005-12	1												
12	Start Relay		4A1107-09	1												

D. Accessories & Labels

KM-1900S_J/3

G-0 to H-0



Title: D. Accessories & Labels Model: KM-1900S_J/3										
Index No.	Description	Material or Model Number	Part Number	Required Number						
				G-0 to H-0						
1	Hoshizaki Emblem Label		4A0560-01	1						
2	Penguin Label		475552L02	1						
3	Universal Brace		4A0363-01	2						
3a	Hex Bolt	5x12, SS	7B02-0512	4						