



HOSHIZAKI

Parts List

Modular Crescent Cuber

Model

KM-230BAJ



hoshizakiamerica.com

Number: F111-4268

Issued: 12-2022

Auxiliary Codes

KM-230BAJ G-1 April 2017

AUXILIARY CODE

The auxiliary code is the first two characters in the serial number. The first character indicates the year. Years progress or regress in alphabetical order. The series runs from "A" through "V" and the letters "I" and "O" are skipped. The second character indicates significant part changes within a year. Base is "0" and this number advances for each change. In cases where there is a letter in parentheses, this designates the month. This is the last character in the serial number. The series runs from "(A)" through "(M)" and the letter "(I)" is skipped. This designation is only included when identifying a parts change within an auxiliary code.

Note About Ordering Parts

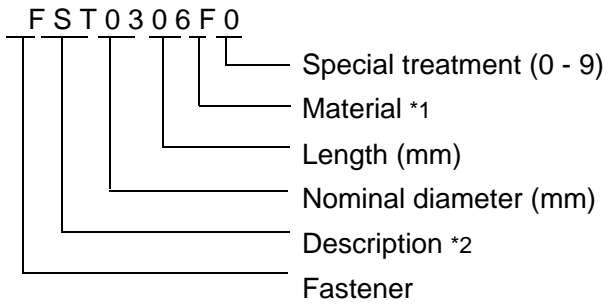
Most assemblies cannot be ordered as complete units; parts in the assemblies generally must be ordered separately.

MARKS LOCATED UNDER THE AUXILIARY CODE

- = Part deleted.
- x = Part deleted and replaced by "o" part.
- o = New part in place of "x" part.

FASTENER PART NUMBER

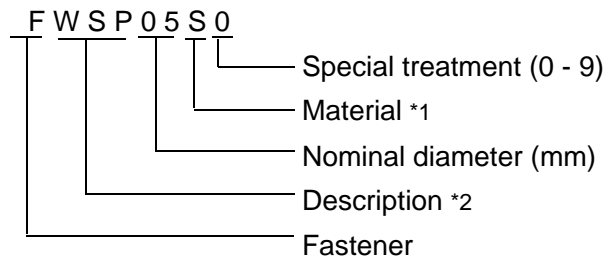
SCREWS



*1 Material

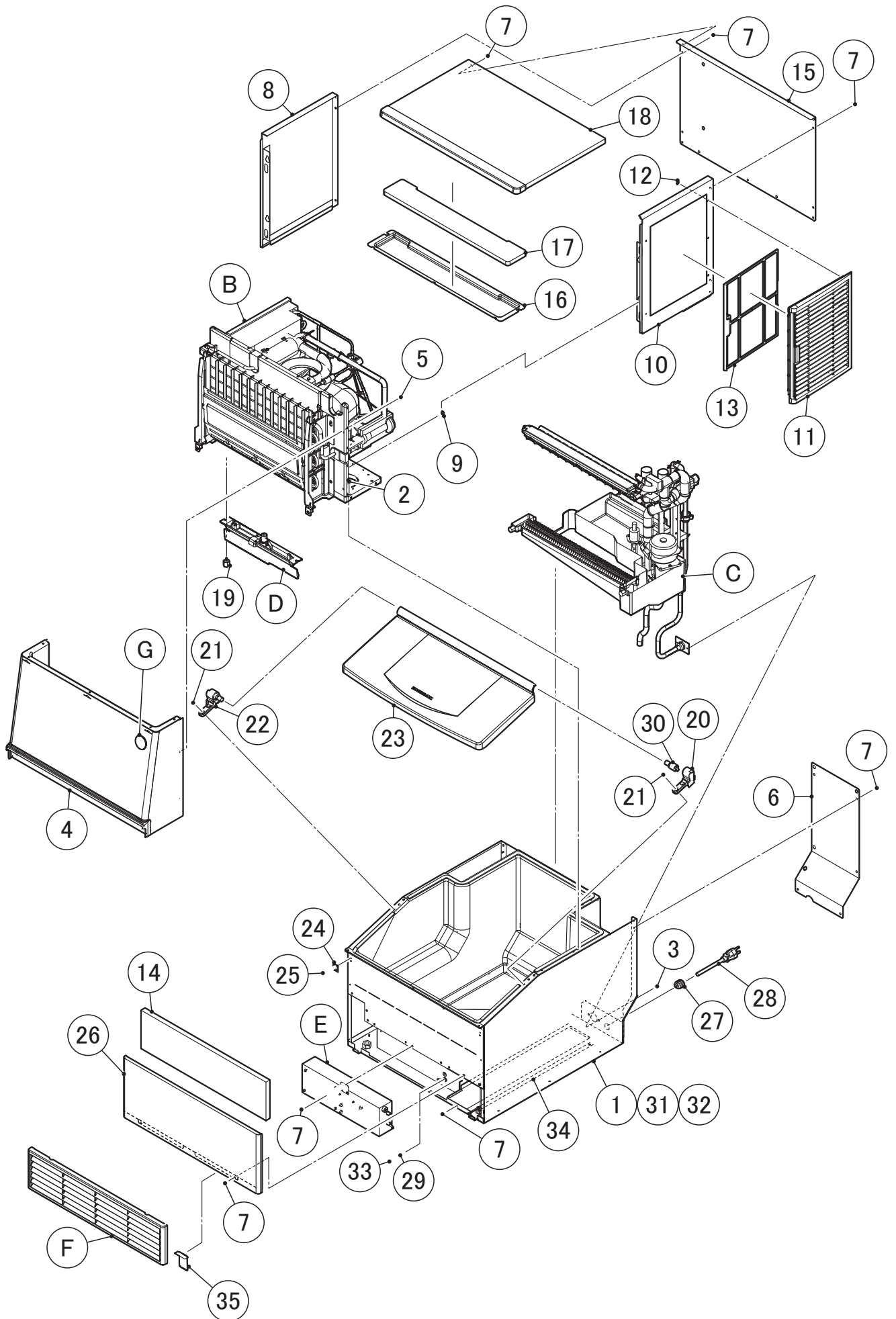
- F: Steel
- S: Austenitic stainless steel
- M: Martensitic stainless steel
- B: Copper alloy
- P: Polycarbonate
- N: Polyamide
- V: PVC
- A: ABS
- X: Polyacetal
- L: Aluminum

NUTS & WASHERS



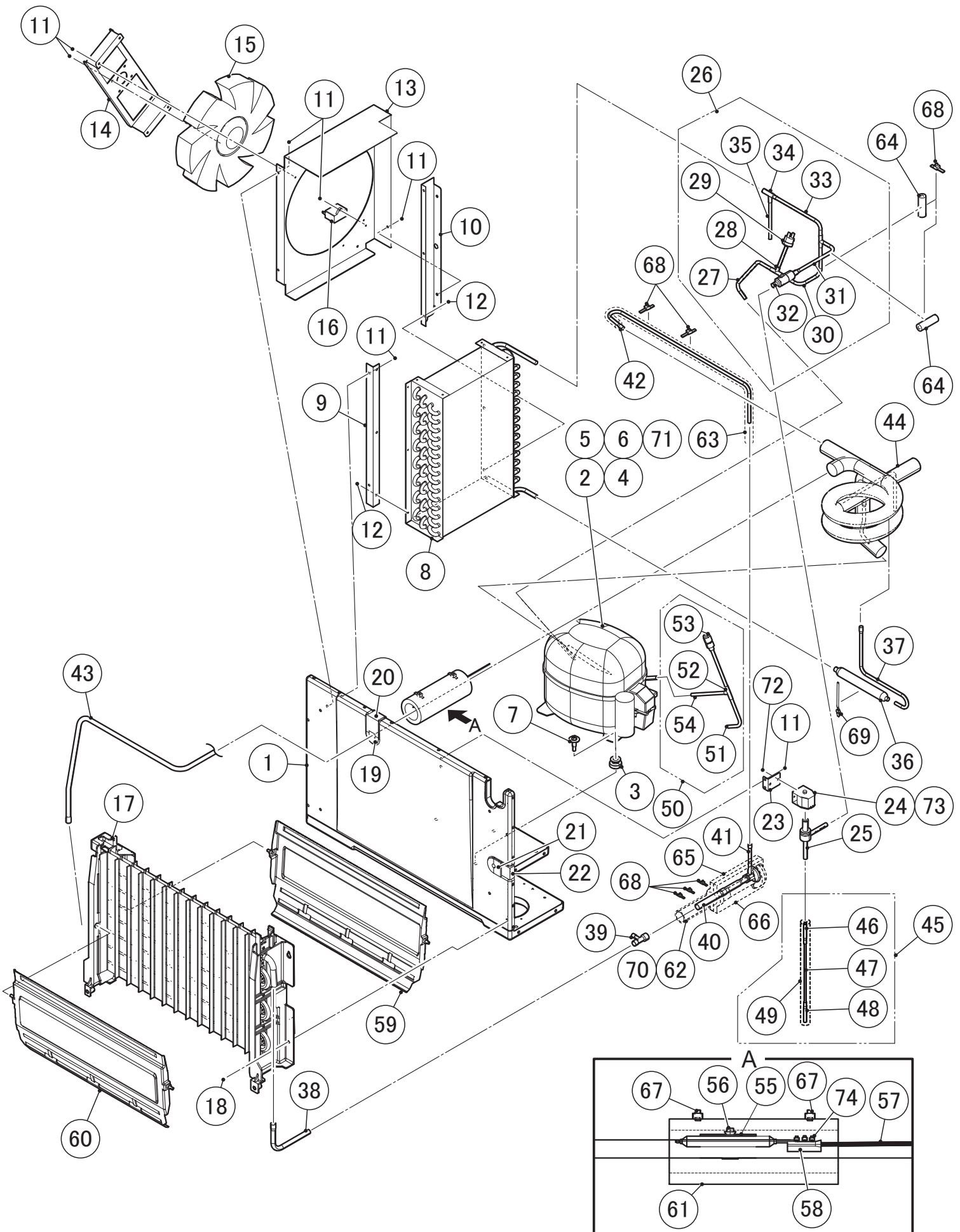
*2 Description

- First letter
- S: Machine screw
- T: Tapping screw
- M: Wood screw
- B: Bolt
- W: Washer
- N: Nut



HA

MODEL: KM-230BAJ		TITLE: A. ICE CUBER ASSY					
INDEX NO.	DESCRIPTION	MATERIAL OR MODEL NUMBER	PART NUMBER	REQ'D NUMBER			
				G-1			
B	REFRIGERATION CIRCUIT		124927A01	1			
C	WATER CIRCUIT - 24		124929A01	1			
D	MECHANICAL BIN SWITCH		384914A01	1			
E	CONTROL BOX ASSY		371208A04	1			
F	LOUVER ASSY - 24		371425A01	1			
G	LABEL LOCATION		270859A01	1			
H	ACCESSORIES		A03349-01	1			
1	BIN ASSY - 24		118999G02	1			
2	TRUSS HEAD SCREW	SUS 4x30	FST0430S0	5			
3	TRUSS HEAD TAPPING SCREW T2	SUS 4x12	FT20412M0	2			
4	FRONT COVER - 24		255322G02	1			
5	TRUSS HEAD MACHINE SCREW	SUS 4x20	FST0420S0	4			
6	REAR COVER		371199M01	1			
7	TRUSS HEAD SCREW		FST0408F0	24			
8	SIDE PANEL (L,UP)		371013G02	1			
9	TAPER COLLAR		4H0171-01	4			
10	SIDE PANEL (R,UP)		371015G02	1			
11	LOUVER (B)		121370P01	1			
12	PUSH RETAINER	94807A024	4A2414-01	3			
13	AIR FILTER (B)		121372G01	1			
14	INSULATION (F) - 24		472743P01	1			
15	REAR PANEL (UP)		371248M01	1			
16	TOP COVER - 24		255268P01	1			
17	INSULATION - TOP (24)		472571P01	1			
18	TOP PANEL - 24		371178G02	1			
19	THUMBSCREW		415949G12	2			
20	HINGE MOUNT(R)		370969P01	1			
21	PAN HEAD MACHINE SCREW (SPRING WASHER)		FSS0516S0	4			
22	HINGE MOUNT(L)		370970P01	1			
23	DOOR ASSY - 24		371214G01	1			
24	CLAMP		472587M01	2			
25	T2 TRUSS HEAD SCREW	4x8	FT20408F0	2			



HA

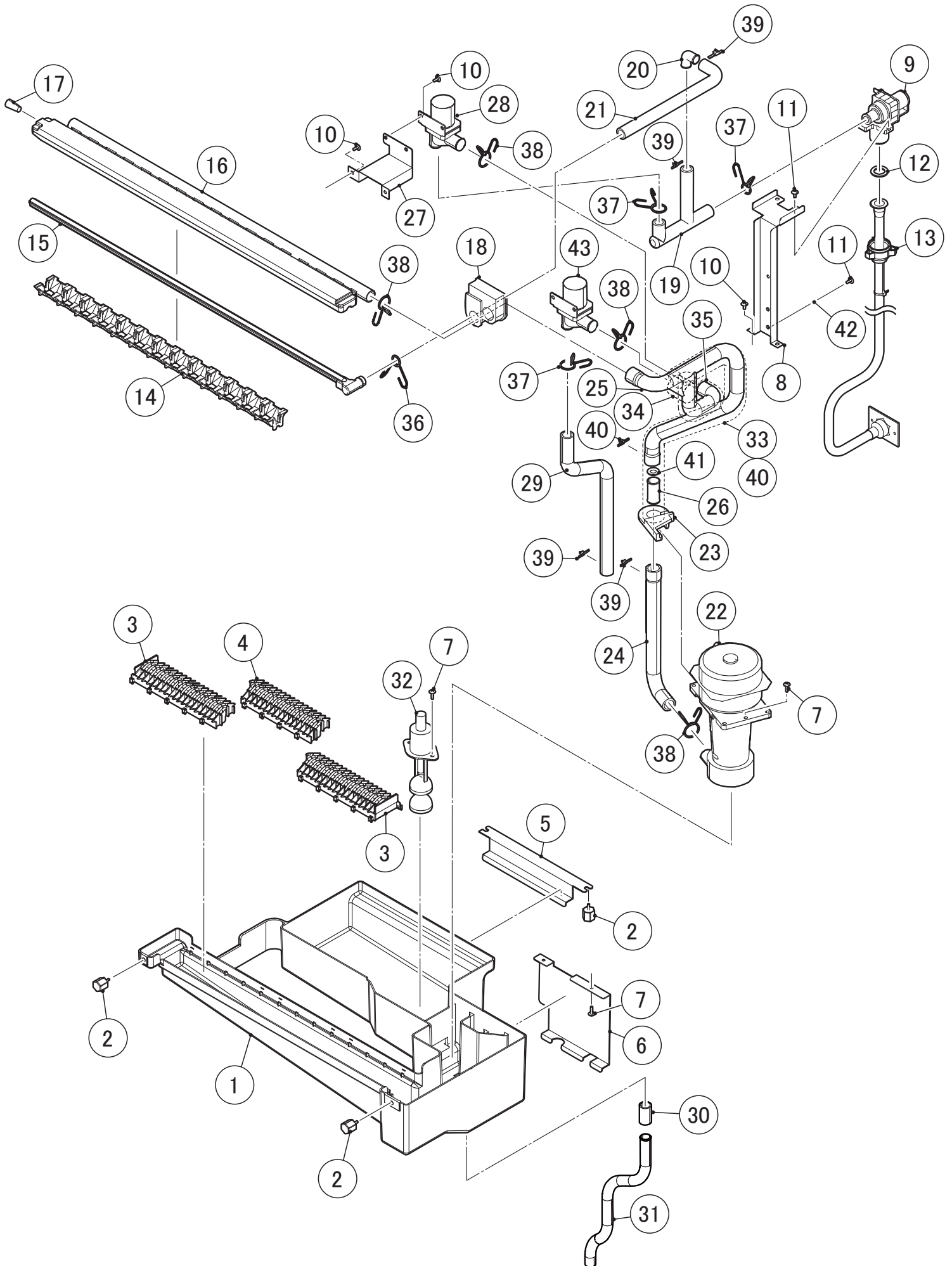
MODEL: KM-230BAJ		TITLE: B. REFRIGERATION CIRCUIT					
INDEX NO.	DESCRIPTION	MATERIAL OR MODEL NUMBER	PART NUMBER	REQ'D NUMBER			
				G-1			
1	BASE ASSY - 24		384390G01	1			
2	COMPRESSOR	NF7CLX 115V 60Hz	P01130-01	1			
3	RUBBER GROMMET		4A1452-01	4			
4	STARTING RELAY		4A4232-01	1			
5	COVER		4A2141-01	1			
6	STARTING CAPACITOR		4A2134-04	1			
7	BOLT		468180-01	4			
8	CONDENSER		P00823-01	1			
9	BRACKET (A) - CONDENSER		472458M01	1			
10	BRACKET (B) - CONDENSER		472463M01	1			
11	TRUSS HEAD SCREW	4X8	FST0408F0	18			
12	T2 TRUSS HEAD SCREW	4X8	FT20408M0	6			
13	SHROUD - 24		255353M01	1			
14	BRACKET - FAN MOTOR		371200M01	1			
15	FAN MOTOR (G)		384348G01	1			
16	CAPACITOR		443158-02	1			
17	EVAP.ASSY		384392G01	1			
18	TRUSS HEAD SCREW	SUS 4X12	FST0412S0	4			
19	GROMMET(A1)		482520R01	1			
20	GROMMET(A2)		482521R01	1			
21	GROMMET (C1)		472437R01	1			
22	GROMMET (C2)		472560R01	1			
23	BRACKET - HOT GAS		472590M01	1			
24	COIL VALVE (G)		384347G01	1			
25	VALVE BODY	ATS-B7SHDU-2	4A3978-01	1			
26	COPPER TUBE(A) - H		371578G03	1			
27	COPPER TUBE(A1) - H		472797M01	1			
28	TEE - 6.4		417394-01	2			
29	PRESSURE SWITCH		P05220-04	1			
30	COPPER TUBE(A2) - H		371578M04	1			
31	COPPER TUBE(A3) - H		472798M01	1			
32	STRAINER		P00812-01	1			
33	COPPER TUBE(A4) - H		371578M07	1			
34	TEE		420041-03	1			

HA

MODEL: KM-230BAJ		TITLE: B. REFRIGERATION CIRCUIT					
INDEX NO.	DESCRIPTION	MATERIAL OR MODEL NUMBER	PART NUMBER	REQ'D NUMBER			
				G-1			
35	COPPER TUBE(A) - PROCCES		371578M09	1			
36	DRIER		P00026-01	1			
37	COPPER TUBE(B) - H		472795M01	1			
38	COPPER TUBE (B) - L		472597M01	1			
39	TEE		420335-01	1			
40	COPPER TUBE (A) - L		472596M01	1			
41	EXPANSION VALVE		P01129-01	1			
42	COPPER TUBE (C) - H		371398M01	1			
43	COPPER TUBE (C) - L		384393M01	1			
44	HEAT EXCHANGER		255645G01	1			
45	COPPER TUBE - HOT GAS		371579G01	1			
46	COPPER TUBE(A) - HOT GAS		371579M01	1			
47	COPPER TUBE(B) - HOT GAS		371579M02	1			
48	COPPER TUBE(C) - HOT GAS		371579M03	1			
49	INSULATION TUBE		H71020260	1			
50	COPPER TUBE - ACCESS VALVE		472801G01	1			
51	COPPER TUBE(A) - ACCESS VALVE		472801M01	1			
52	TEE - 6.4		417394-01	1			
53	ACCESS VALVE		457729-01	1			
54	COPPER TUBE(B) - ACCESS VALVE		472801M04	1			
55	HOLDER - EXPV		451267-01	1			
56	CLAMP		443461-01	1			
57	THERMISTOR		P00027-01	1			
58	HOLDER-THERMISTOR		436455-01	1			
59	SEPARATOR		384672G01	1			
60	SEPARATOR		384672G02	1			
61	INSULATION TUBE		H73858150	1			
62	INSULATION TUBE		H71323140	1			
63	INSULATION TUBE		H70717600	1			
64	INSULATION TUBE		H71020050	2			
65	COVER (A) - EXPANSION VALVE		324313-01	1			
66	COVER (B) - EXPANSION VALVE		324313-02	1			
67	NYLON TIE		7920-0010	2			
68	TIE		7920-0003	7			

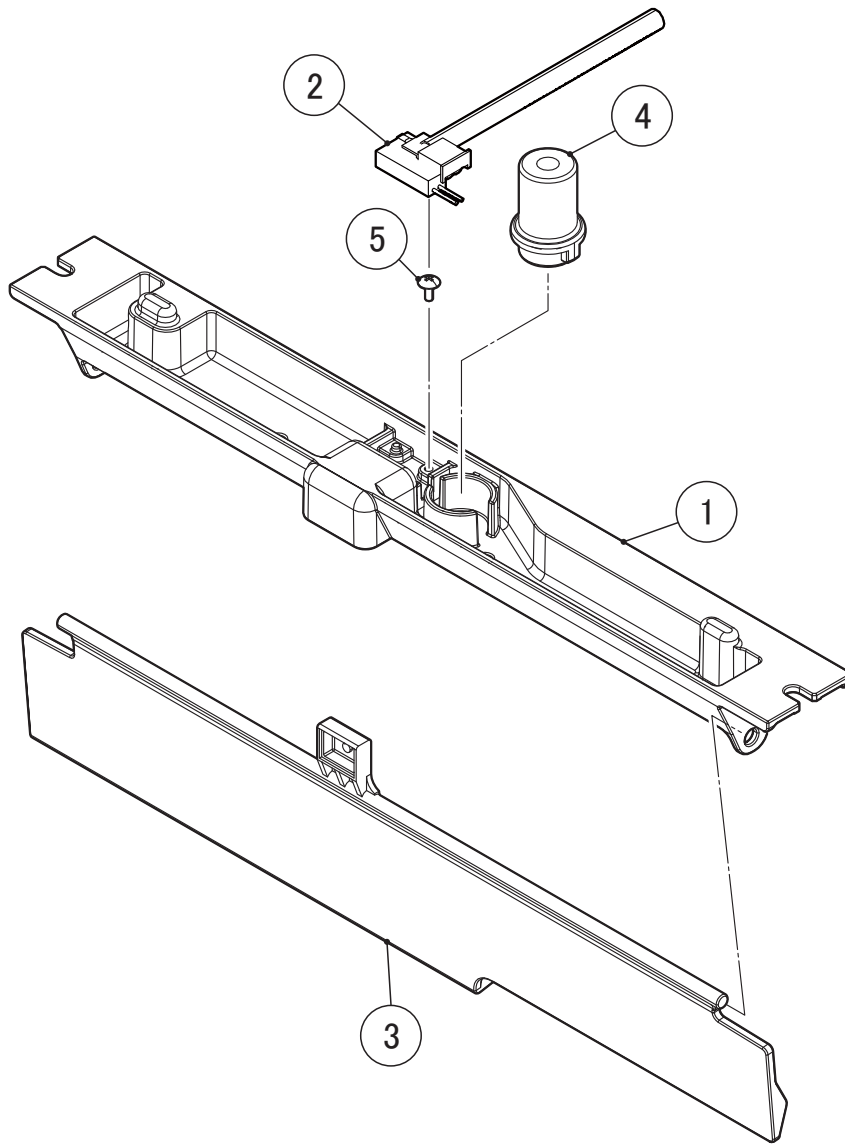
HA

MODEL: KM-230BAJ		TITLE: B. REFRIGERATION CIRCUIT					
INDEX NO.	DESCRIPTION	MATERIAL OR MODEL NUMBER	PART NUMBER	REQ'D NUMBER			
				G-1			
69	PUSH MOUNT TIE		C06256-01	1			
70	INSULATION TUBE		H72030100	1			
71	REFRIGERANT		7GR404	320 g			
72	TRUSS HEAD SCREW		FST0406F0	2			
73	BOLT		4A3277F01	1			
74	TIE		7920-0002	3			



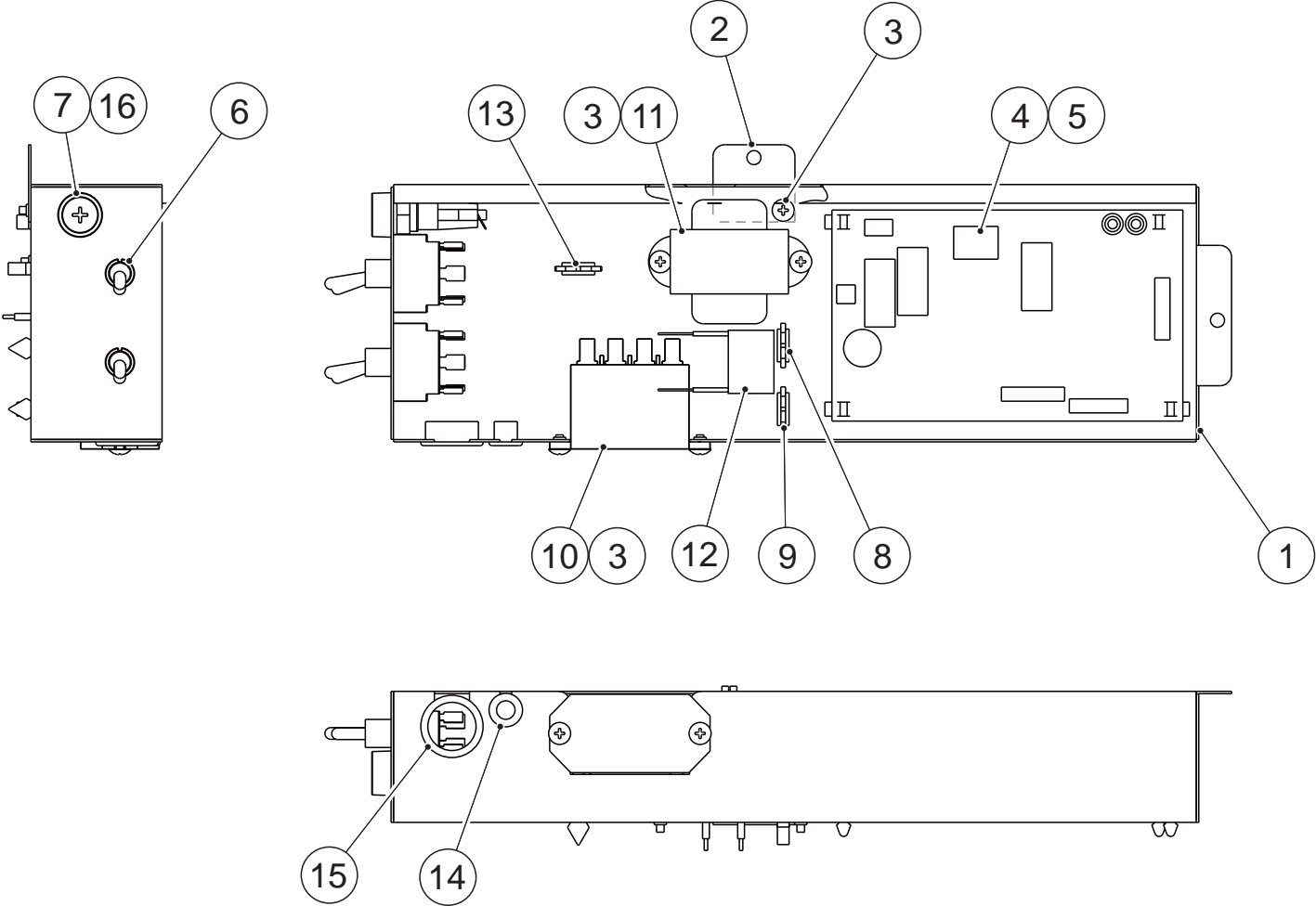
HA

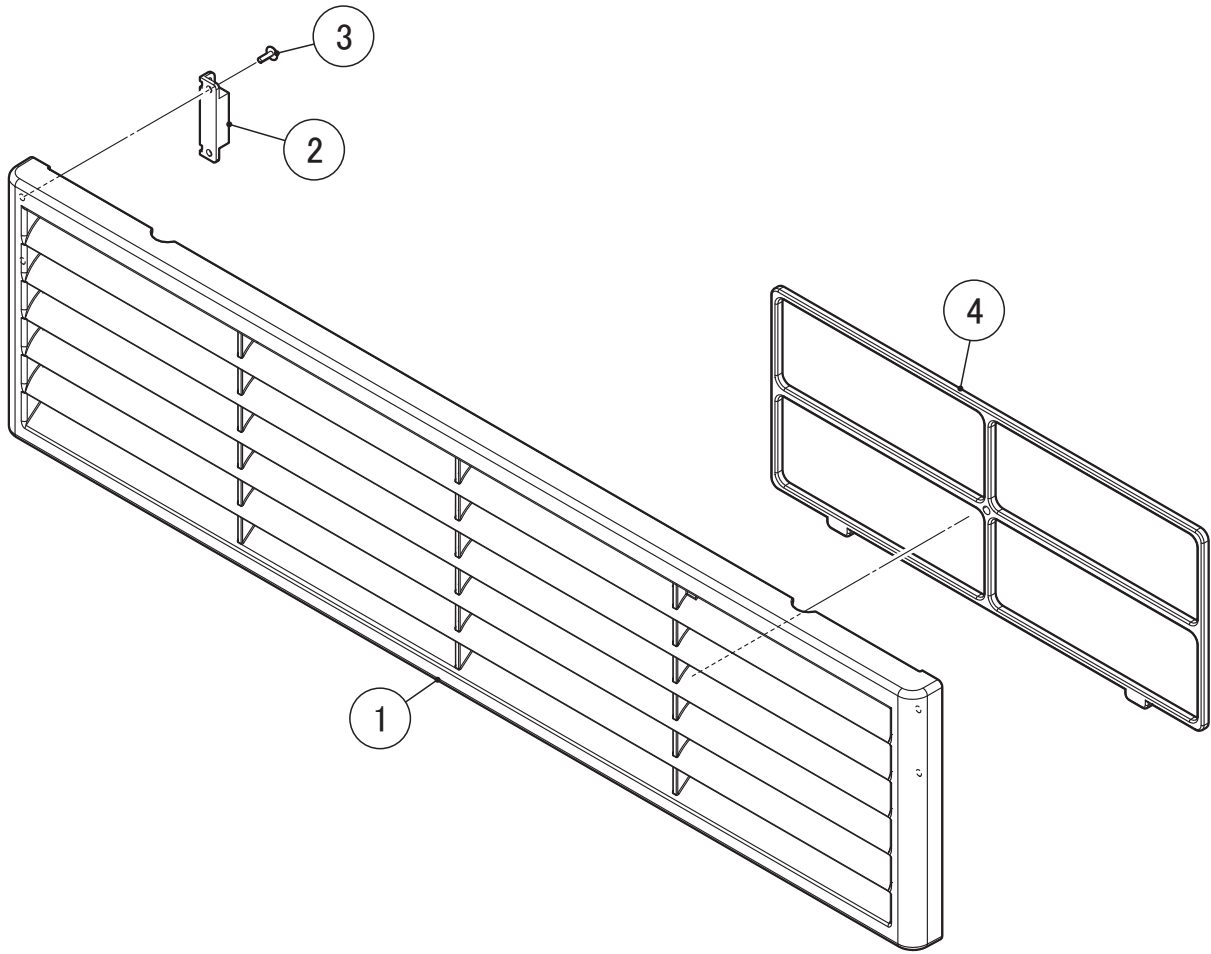
MODEL: KM-230BAJ		TITLE: C. WATER CIRCUIT - 24					
INDEX NO.	DESCRIPTION	MATERIAL OR MODEL NUMBER	PART NUMBER	REQ'D NUMBER			
				G-1			
1	TANK - 24		118944P01	1			
2	THUMBSCREW		415949G12	4			
3	CUBE GUIDE (A)		258598P01	2			
4	CUBE GUIDE (B)		2A3363-01	1			
5	HOOK (B) - TANK		371007M01	1			
6	HOOK (D) - TANK		371204M01	1			
7	TRUSS HEAD SCREW	SUS 4x12	FST0412S0	6			
8	BRACKET(A) - WATER VALVE		384384M01	1			
9	WATER VALVE	2L/min	3U0150-01	1			
10	TRUSS HEAD SCREW	4x8	FST0408F0	9			
11	TRUSS HEAD SCREW	SUS 4x8	FST0408S0	3			
12	RUBBER GASKET		4C0066R01	1			
13	WATER SUPPLY PIPE		371230G01	1			
14	SPRAY GUIDE		252052P03	1			
15	WATER SUPPLY TUBE		250743-03	1			
16	SPRAY TUBE - 24		255329P01	1			
17	PLUG		4C0037R01	1			
18	GROMMET (B)		472436R01	1			
19	WATER SUPPLY PIPE (A)		472438R01	1			
20	ELBOW		470303-01	1			
21	WATER SUPPLY PIPE (B)		472439R01	1			
22	PUMP MOTOR (G)		384346G01	1			
23	COVER - PUMP MOTOR		371173R01	1			
24	WATER SUPPLY PIPE (E)		472558R01	1			
25	WATER SUPPLY PIPE (F)		255236R01	1			
26	SOCKET		472564P01	1			
27	BRACKET(B) - WATER VALVE		475117M01	1			
28	DRAIN VALVE (G)		384344G01	1			
29	DRAIN HOSE		486187R01	1			
30	SI HOSE	$\phi 14 \times \phi 18 \times L30$	H11418030	1			
31	DRAIN PIPE (B)		472442P01	1			
32	FLOAT SWITCH	OLV-29Z-2P2	P00816-01	1			
33	INSULATION TUBE		H72030480	1			



HA

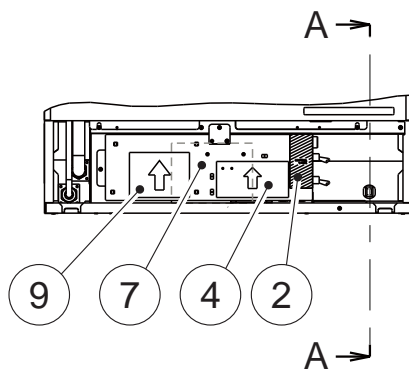
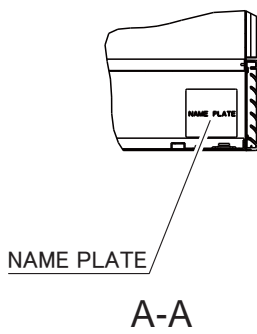
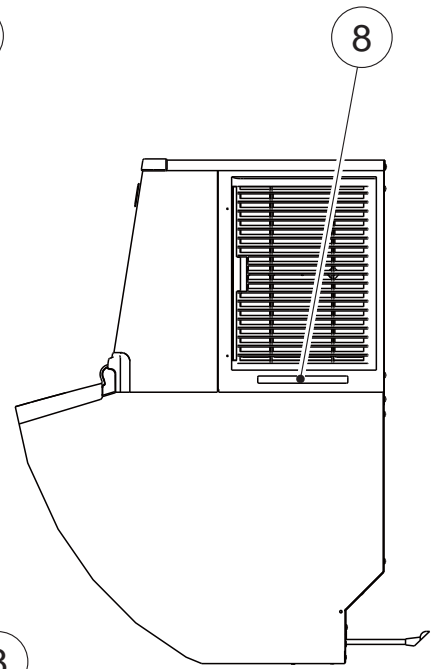
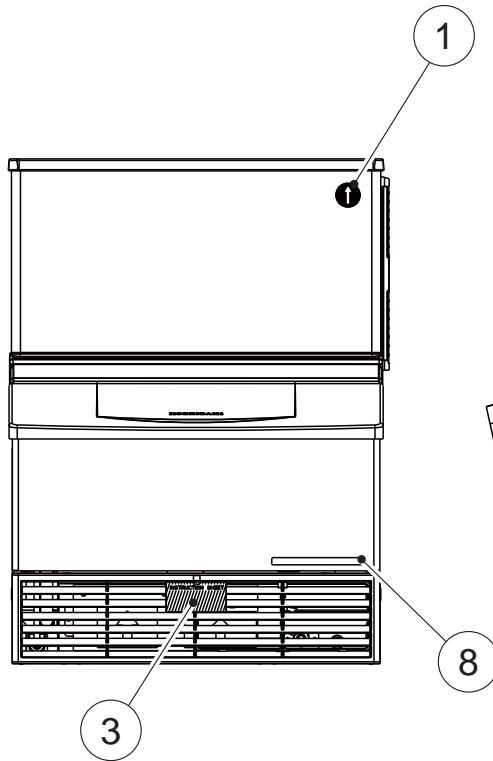
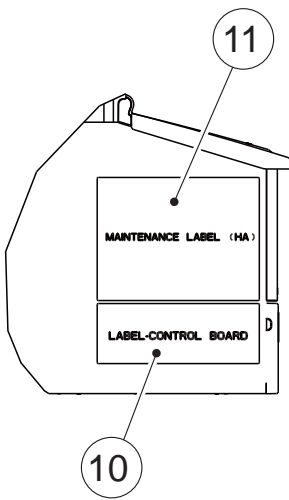
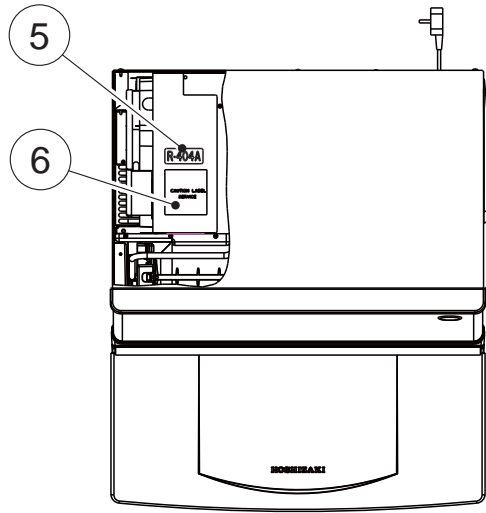
MODEL: KM-230BAJ		TITLE: D. MECHANICAL BIN SWITCH					
INDEX NO.	DESCRIPTION	MATERIAL OR MODEL NUMBER	PART NUMBER	REQ'D NUMBER			
				G-1			
1	BASE - ACTUATOR		118845P01	1			
2	REED SWITCH (G)		384899G01	1			
3	ACTUATOR		370981G01	1			
4	GROMMET (E)		472446R01	1			
5	TRUSS HEAD TAPPING SCREW T2	SUS 3X8	FT20308M0	1			

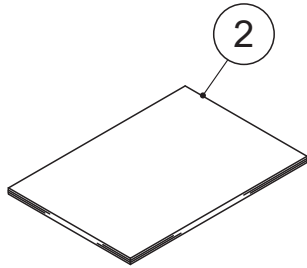
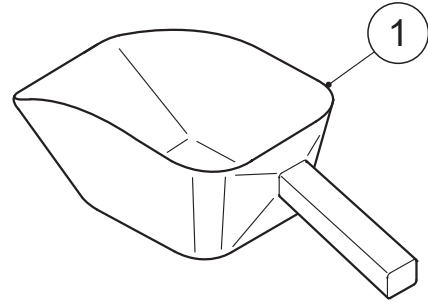
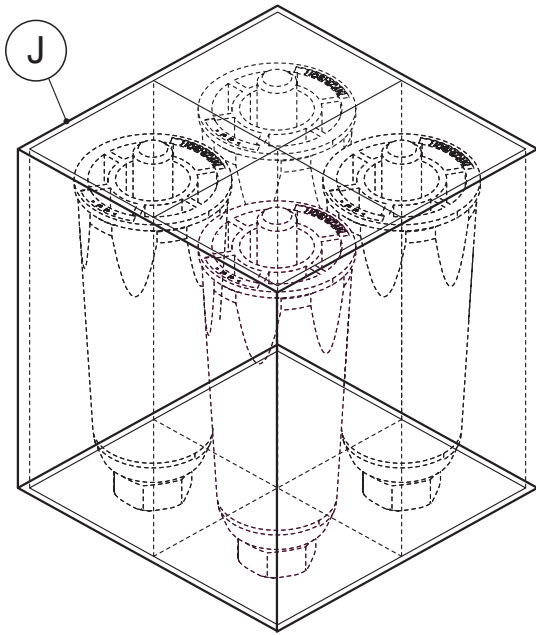




HA

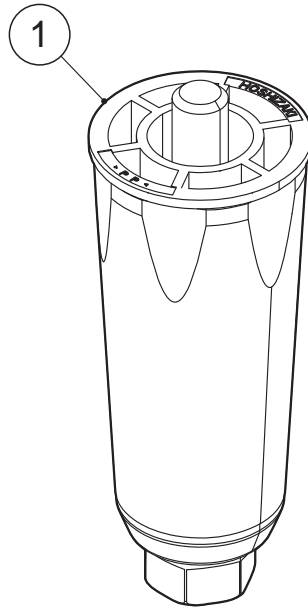
MODEL: KM-230BAJ		TITLE: F. LOUVER ASSY - 24					
INDEX NO.	DESCRIPTION	MATERIAL OR MODEL NUMBER	PART NUMBER	REQ'D NUMBER			
				G-1			
1	LOUVER - 24		118900P01	1			
2	MAGNET CATCH	MC-110NF-GR	P01032-01	2			
3	TRUSS HEAD TAPPING SCREW T2	SUS 3x8	FT20308M0	4			
4	AIR FILTER		371154G01	1			





HA

MODEL: KM-230BAJ		TITLE: H. ACCESSORIES					
INDEX NO.	DESCRIPTION	MATERIAL OR MODEL NUMBER	PART NUMBER	REQ'D NUMBER			
				G-1			
J	LEG SET - UNC		472736A01	1			
1	SCOOP		1H4123P02	1			
2	INSTRUCTION MANUAL		L1F112101	1			



HA

MODEL: KM-230BAJ		TITLE: J. LEG SET - UNC					
INDEX NO.	DESCRIPTION	MATERIAL OR MODEL NUMBER	PART NUMBER	REQ'D NUMBER			
				G-1			
1	LEG - UNC		371053G01	1			