



HOSHIZAKI

Parts List

Modular Crescent Cuber

Models

KM-23 IBAJ

KM-30 IBAJ, BWJ



hoshizakiamerica.com

Number: 71426
Issued: 6-28-2019
Revised: 8-29-2024

CONTENTS

| | |
|---------------------------------|----|
| Auxiliary Codes..... | 3 |
| Note About Ordering Parts | 3 |
| A. Main Assembly | 4 |
| B. Refrigeration Circuit..... | 7 |
| KM-231BAJ, KM-301BAJ | 7 |
| KM-301BWJ | 9 |
| C. Water Circuit..... | 11 |
| D. Control Box Assembly..... | 13 |
| E. Accessories & Labels | 15 |

Auxiliary Codes

KM-231BAJ

J-0 March 2019
J-1 December 2019
K-0 January 2020
K-1 March 2020
K-2 May 2020
K-3 September 2020
L-0 January 2021
L-1 August 2021
L-2 December 2021
M-0 January 2022
N-0 February 2023
N-1 May 2023
P-0 January 2024
P-1 March 2024
P-2 July 2024

KM-301BAJ

J-0 March 2019
K-0 January 2020
K-1 March 2020
K-2 May 2020
K-3 September 2020
L-0 January 2021
L-1 June 2021
M-0 January 2022
N-0 February 2023
N-1 May 2023
P-0 January 2024
P-1 March 2024
P-2 July 2024
P-3 September 2024

KM-301BWJ

J-0 March 2019
K-0 January 2020
K-1 March 2020
K-2 July 2020
K-3 September 2020
L-0 January 2021
L-1 June 2021
M-0 January 2022
N-0 March 2023
N-1 July 2023
P-2 July 2024

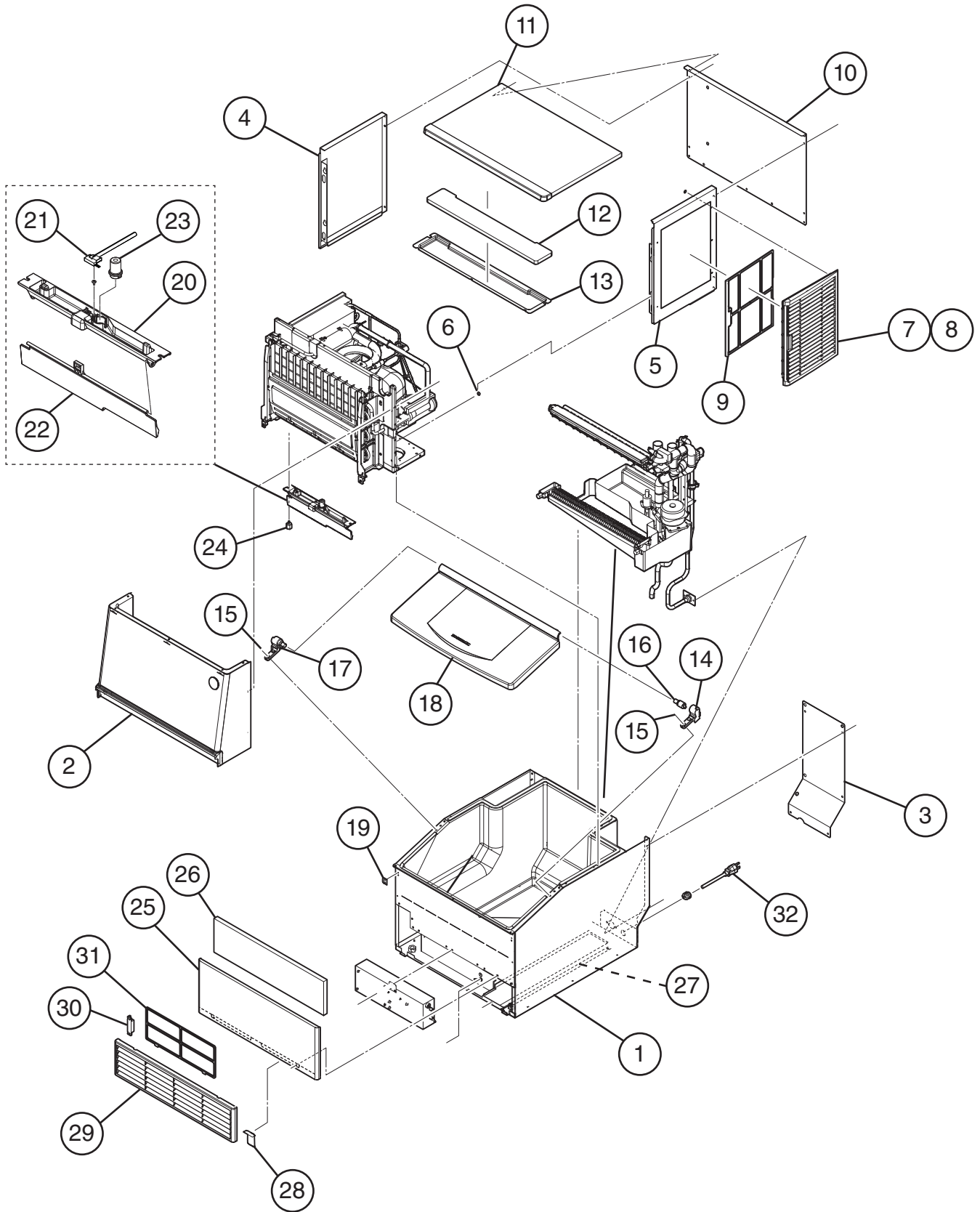
Auxiliary Code Breakdown

The auxiliary code is the first two characters in the serial number. The first character indicates the year. Years progress or regress in alphabetical order. The series runs from "A" through "V" and the letters "I" and "O" are skipped. The second character indicates significant part changes within a year. Base is "0" and this number advances for each change. In cases where there is a letter in parentheses, this designates the month. This is the last character in the serial number. The series runs from "(A)" through "(M)" and the letter "(I)" is skipped. This designation is only included when identifying a parts change within an auxiliary code.

Note About Ordering Parts

Most assemblies cannot be ordered as complete units; parts in the assemblies generally must be ordered separately.

A. Main Assembly
KM-231BAJ, KM-301B_J
J-0 to P-3

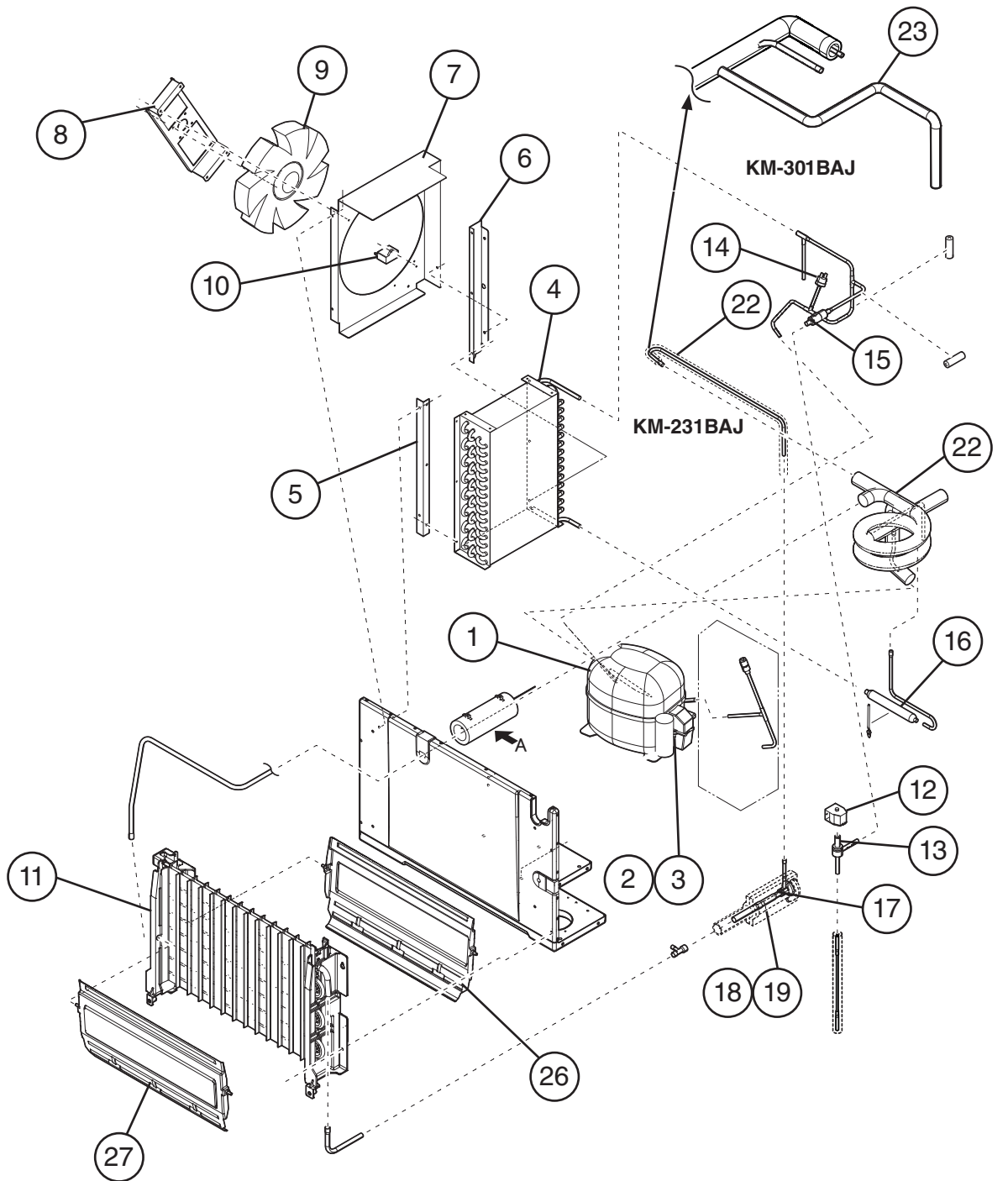


| Title: A. Main Assembly Model: KM-231BAJ, KM-301B_J | | | | | | | | | | | |
|-----------------------------------------------------|----------------------------------------|--------------------------|-------------|-----------------|-----|------------|--|--|--|--|--|
| Index No. | Description | Material or Model Number | Part Number | Required Number | | | | | | | |
| | | | | J-0 to K-0 | K-1 | K-2 to P-3 | | | | | |
| Main Assembly | | | | | | | | | | | |
| 1 | Bin Assembly | KM-231BAJ | 118999G02 | 1 | - | | | | | | |
| | | | 1A5840G01 | | 1 | 1 | | | | | |
| | | KM-301BAJ | 118990G02 | 1 | - | | | | | | |
| | | | 1A5828G01 | | 1 | 1 | | | | | |
| KM-301BWJ | 118990G04 | 1 | - | | | | | | | | |
| | 1A5828G02 | | 1 | 1 | | | | | | | |
| 2 | Front Cover | KM-231BAJ | 2A9327G02 | 1 | 1 | 1 | | | | | |
| | | KM-301B_J | 2A9169G02 | 1 | 1 | 1 | | | | | |
| 3 | Rear Cover | | 371199M01 | 1 | 1 | 1 | | | | | |
| 4 | Left Side Panel | | 2A9106G02 | 1 | 1 | 1 | | | | | |
| 5 | Right Side Panel | KM-231BAJ | 2A9105G02 | 1 | 1 | 1 | | | | | |
| | | KM-301BAJ | | | | | | | | | |
| | | KM-301BWJ | 2A9105G03 | 1 | 1 | 1 | | | | | |
| 6 | Taper Collar | | 4H0171-01 | 4 | 4 | 4 | | | | | |
| 7 | Louver Assembly (includes 8 and 9) | | 2A6649A02 | 1 | 1 | 1 | | | | | |
| 8 | Louver B | KM-231BAJ | 1A0548-01 | 1 | 1 | 1 | | | | | |
| | | KM-301BAJ | | | | | | | | | |
| 9 | Air Filter B | KM-231BAJ KM-301BAJ | 2A2063G01 | 1 | 1 | 1 | | | | | |
| 10 | Rear Panel | KM-231BAJ | 371248M01 | 1 | 1 | 1 | | | | | |
| | | KM-301BAJ | 371000M01 | 1 | 1 | 1 | | | | | |
| | | KM-301BWJ | 371000M02 | 1 | 1 | 1 | | | | | |
| 11 | Top Panel | KM-231BAJ | 4A6546G02 | 1 | 1 | 1 | | | | | |
| | | KM-301B_J | 4A6519G02 | 1 | 1 | 1 | | | | | |
| 12 | Top Insulation | KM-231BAJ | 472571P01 | 1 | 1 | 1 | | | | | |
| | | KM-301B_J | 472444P01 | 1 | 1 | 1 | | | | | |
| 13 | Top Cover | KM-231BAJ | 255268P01 | 1 | 1 | 1 | | | | | |
| | | KM-301B_J | 254953P01 | 1 | 1 | 1 | | | | | |
| 14 | Right Hinge Mount | | 370969P01 | 1 | 1 | 1 | | | | | |
| 15 | Pan Head Machine Screw (spring washer) | | 7C1220516 | 4 | 4 | 4 | | | | | |
| 16 | Hinge | | P01080-01 | 1 | 1 | 1 | | | | | |
| 17 | Left Hinge Mount | | 370970P01 | 1 | 1 | 1 | | | | | |
| 18 | Door Assembly | KM-231BAJ | 371214G01 | 1 | 1 | - | | | | | |
| | | | 1A5841G01 | | | 1 | | | | | |
| | | KM-301B_J | 370980G01 | 1 | 1 | - | | | | | |
| | | | 1A5842G01 | | | 1 | | | | | |
| 19 | Clamp | | 4A6669-01 | 2 | - | | | | | | |
| | | | 443461-01 | | 2 | 2 | | | | | |
| 20 | Actuator Base | | 118845P01 | 1 | 1 | 1 | | | | | |
| 21 | Reed Switch G | | 4A6593G01 | 1 | 1 | 1 | | | | | |
| 22 | Actuator | KM-231BAJ | 370981G01 | 1 | 1 | 1 | | | | | |
| | | KM-301B_J | 371416G01 | 1 | 1 | 1 | | | | | |
| 23 | Grommet E | | 472446R01 | 1 | 1 | 1 | | | | | |
| 24 | Thumbscrew | | 415949G12 | 2 | 2 | 2 | | | | | |

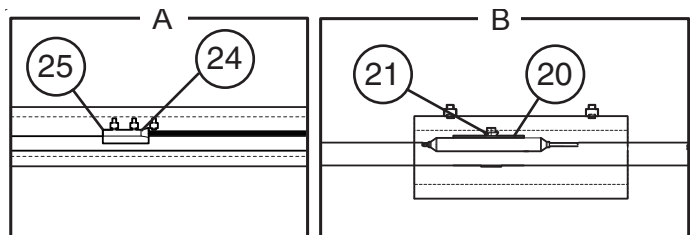
Title: A. Main Assembly Model: KM-231BAJ, KM-301B_J

| Index No. | Description | Material or Model Number | Part Number | Required Number | | | | | | | | |
|-----------|-------------------|--------------------------|-------------|-----------------|-----|------------|--|--|--|--|--|--|
| | | | | J-0 to K-0 | K-1 | K-2 to P-3 | | | | | | |
| 25 | Front Panel | KM-231BAJ | 4A6523-03 | 1 | 1 | - | | | | | | |
| | | | 3B0575-02 | | | 1 | | | | | | |
| | | KM-301B_J | 4A6523-04 | 1 | 1 | - | | | | | | |
| | | | 3B0575-01 | | | 1 | | | | | | |
| 26 | Front Insulation | KM-231BAJ | 472743P01 | 1 | 1 | 1 | | | | | | |
| | | KM-301B_J | 472742P01 | 1 | 1 | 1 | | | | | | |
| 27 | Wire Cover | | 376185M01 | 1 | 1 | 1 | | | | | | |
| 28 | Barrier | | 482909M01 | 1 | 1 | 1 | | | | | | |
| 29 | Louver | KM-231BAJ | 118900P01 | 1 | 1 | 1 | | | | | | |
| | | KM-301BAJ | 118899P01 | 1 | 1 | 1 | | | | | | |
| | | KM-301BWJ | | | | | | | | | | |
| 30 | Magnet Catch | | P01032-01 | 2 | 2 | 2 | | | | | | |
| 31 | Air Filter | KM-231BAJ | 371154G01 | 1 | 1 | 1 | | | | | | |
| | | KM-301BAJ | | | | | | | | | | |
| 32 | Power Supply Cord | | P00004-01 | 1 | 1 | 1 | | | | | | |

B. Refrigeration Circuit
KM-231BAJ, KM-301BAJ
 J-0 to P-3



Model Shown: KM-231BAJ

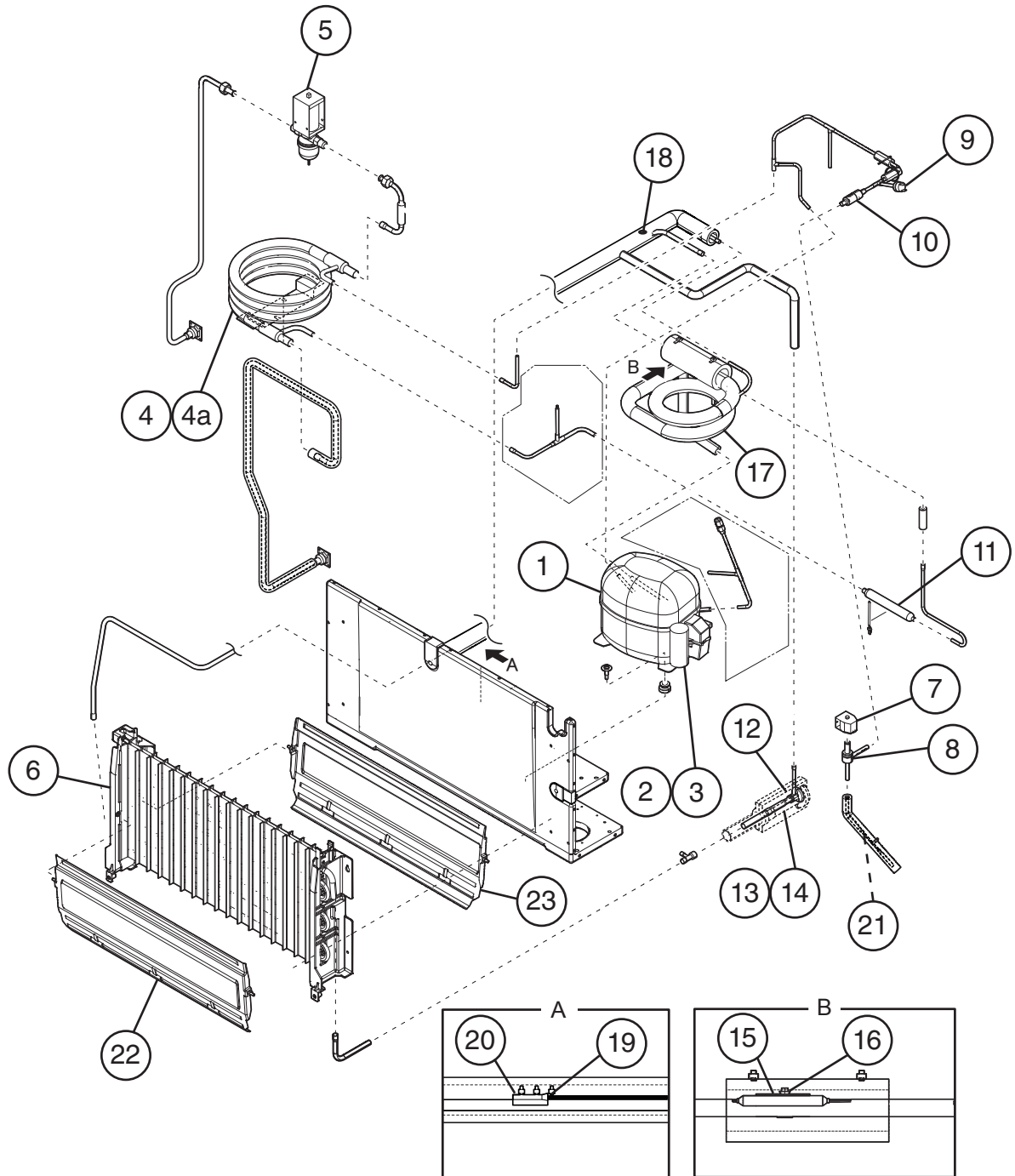


| Title: B. Refrigeration Circuit Model: KM-231BAJ, KM-301BAJ | | | | | | | | | | | | |
|-------------------------------------------------------------|--------------------------------------|---------------------------------------------------|-------------|-----------------|--|--|--|--|--|--|--|--|
| Index No. | Description | Material or Model Number | Part Number | Required Number | | | | | | | | |
| | | | | J-0 to P-3 | | | | | | | | |
| Refrigeration Circuit | | | | | | | | | | | | |
| 1 | Compressor | KM-231BAJ | 4A4185-01 | 1 | | | | | | | | |
| | | KM-301BAJ | P01081-01 | 1 | | | | | | | | |
| 2 | Start Relay | KM-231BAJ (includes external protector) | 4A2135-04 | 1 | | | | | | | | |
| | | KM-301BAJ | 4A3113-01 | 1 | | | | | | | | |
| 3 | Start Capacitor | KM-231BAJ 320MFD, 125VAC | 4A2134-04 | 1 | | | | | | | | |
| | | KM-301BAJ 240MFD, 125VAC | 4A2134-03 | 1 | | | | | | | | |
| 4 | Condenser | KM-231BAJ | P00823-01 | 1 | | | | | | | | |
| | | KM-301BAJ | P00822-01 | 1 | | | | | | | | |
| 5 | Condenser Bracket A | | 472458M01 | 1 | | | | | | | | |
| 6 | Condenser Bracket B | | 472463M01 | 1 | | | | | | | | |
| 7 | Shroud | KM-231BAJ | 255353M01 | 1 | | | | | | | | |
| | | KM-301BAJ | 255381M01 | 1 | | | | | | | | |
| 8 | Fan Motor Bracket | | 371200M01 | 1 | | | | | | | | |
| 9 | Fan Motor | | 384348G01 | 1 | | | | | | | | |
| 10 | Fan Motor Capacitor | 6 MFD, 220VAC | 443158-02 | 1 | | | | | | | | |
| 11 | Evaporator | KM-231BAJ | 4A6540G01 | 1 | | | | | | | | |
| | | KM-301BAJ | 4A6539G01 | 1 | | | | | | | | |
| 12 | Valve Coil | | 384347G01 | 1 | | | | | | | | |
| 13 | Valve Body | | 4A3978-01 | 1 | | | | | | | | |
| 14 | High-Pressure Switch | KM-231BAJ | 463180-04 | 1 | | | | | | | | |
| | | KM-310BAJ | 463180-01 | 1 | | | | | | | | |
| 15 | Strainer | | 441569-04 | 1 | | | | | | | | |
| 16 | Drier | | 458776-01 | 1 | | | | | | | | |
| 17 | Thermostatic Expansion Valve | KM-231BAJ | P01129-01 | 1 | | | | | | | | |
| | | KM-301BAJ | P00826-01 | 1 | | | | | | | | |
| 18 | Thermostatic Expansion Valve Cover A | | 324313-01 | 1 | | | | | | | | |
| 19 | Thermostatic Expansion Valve Cover B | | 324313-02 | 1 | | | | | | | | |
| 20 | Thermostatic Expansion Valve Holder | | 451267-01 | 1 | | | | | | | | |
| 21 | Clamp | | 443461-01 | 1 | | | | | | | | |
| 22 | Heat Exchanger A | KM-231BAJ | 2A9119G01 | 1 | | | | | | | | |
| | | KM-301BAJ | 4A6514G01 | 1 | | | | | | | | |
| 23 | Heat Exchanger B | KM-301BAJ | 4A6665G01 | 1 | | | | | | | | |
| 24 | Thermistor | | P00027-01 | 1 | | | | | | | | |
| 25 | Thermistor Holder | | 436455-01 | 1 | | | | | | | | |
| 26 | Separator A | KM-231BAJ | 384672G01 | 1 | | | | | | | | |
| | | KM-301BAJ | 384672G03 | 1 | | | | | | | | |
| 27 | Separator B | KM-231BAJ | 384672G02 | 1 | | | | | | | | |
| | | KM-301BAJ | 384672G04 | 1 | | | | | | | | |

B. Refrigeration Circuit

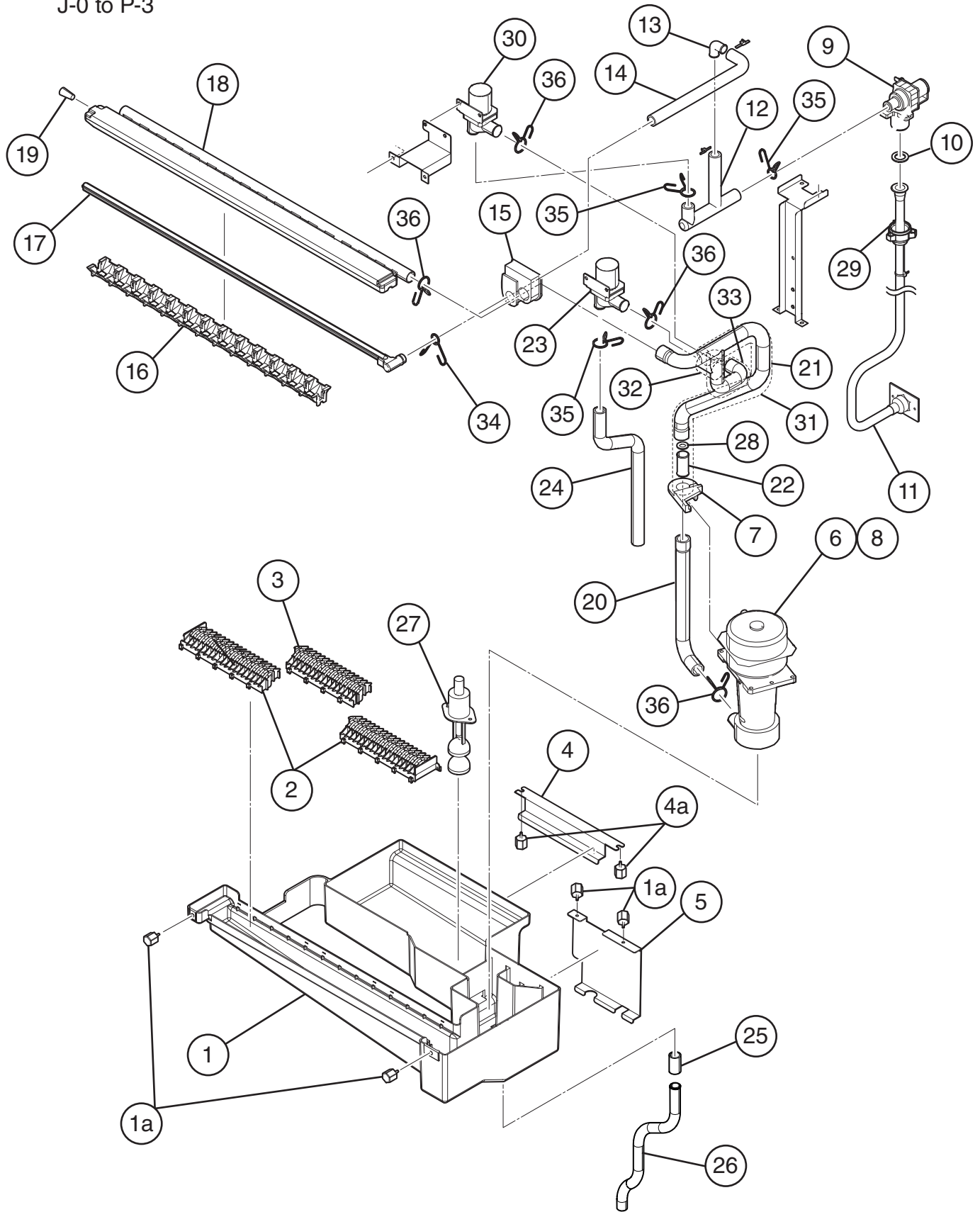
KM-301BWJ

J-0 to P-2



| Title: B. Refrigeration Circuit Model: KM-301BWJ | | | | | | | | | | | | |
|--------------------------------------------------|-------------------------------------------|--------------------------|-------------|------------|-----------------|--|--|--|--|--|--|--|
| Index No. | Description | Material or Model Number | Part Number | J-0 to P-2 | Required Number | | | | | | | |
| | | | | | | | | | | | | |
| Refrigeration Circuit | | | | | | | | | | | | |
| 1 | Compressor | | 4A4185-01 | 1 | | | | | | | | |
| 2 | Start Relay (includes external protector) | | 4A2135-04 | 1 | | | | | | | | |
| 3 | Starting Capacitor | 340MFD, 125VAC | 4A2134-04 | 1 | | | | | | | | |
| 4 | Water-Cooled Condenser | | P01212-01 | 1 | | | | | | | | |
| 4a | Flange Bolt | | 7B0230516 | 2 | | | | | | | | |
| 5 | Water Regulating Valve | | P04025-01 | 1 | | | | | | | | |
| 6 | Evaporator | | 4A6539G01 | 1 | | | | | | | | |
| 7 | Valve Coil | | 384347G01 | 1 | | | | | | | | |
| 8 | Valve Body | | 4A3978-01 | 1 | | | | | | | | |
| 9 | High-Pressure Switch | | 463180-05 | 1 | | | | | | | | |
| 10 | Strainer | | 441569-04 | 1 | | | | | | | | |
| 11 | Drier | | 458776-01 | 1 | | | | | | | | |
| 12 | Thermostatic Expansion Valve | | P00826-01 | 1 | | | | | | | | |
| 13 | Thermostatic Expansion Valve Cover A | | 324313-01 | 1 | | | | | | | | |
| 14 | Thermostatic Expansion Valve Cover B | | 324313-02 | 1 | | | | | | | | |
| 15 | Thermostatic Expansion Valve Holder | | 451267-01 | 1 | | | | | | | | |
| 16 | Clamp | | 443461-01 | 1 | | | | | | | | |
| 17 | Heat Exchanger A | | 4A6665G01 | 1 | | | | | | | | |
| 18 | Heat Exchanger B | | 2A9100G01 | 1 | | | | | | | | |
| 19 | Thermistor | | P00027-01 | 1 | | | | | | | | |
| 20 | Thermistor Holder | | 436455-01 | 1 | | | | | | | | |
| 21 | Capillary Tube | | 7K2032010 | 1 | | | | | | | | |
| 22 | Separator A | | 384672G03 | 1 | | | | | | | | |
| 23 | Separator B | | 384672G04 | 1 | | | | | | | | |

C. Water Circuit
KM-231BAJ, KM-301B_J
 J-0 to P-3



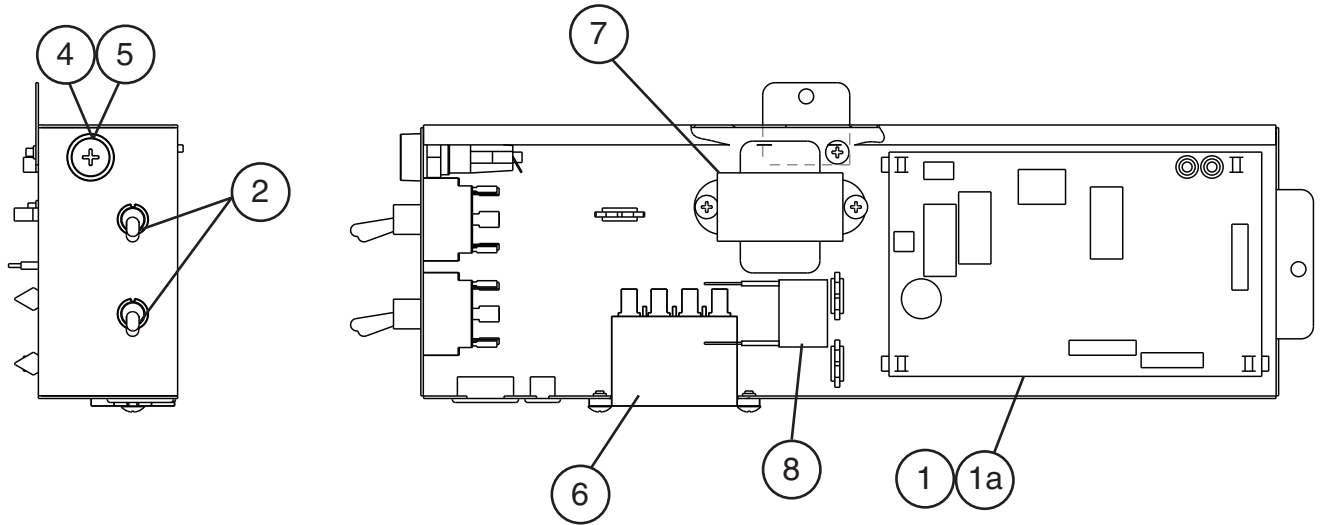
| Title: C. Water Circuit Model: KM-231BAJ, KM-301B_J | | | | | | | | | | | | |
|-----------------------------------------------------|-------------------------------------|--------------------------|-------------|-----------------|------------|--|--|--|--|--|--|--|
| Index No. | Description | Material or Model Number | Part Number | Required Number | | | | | | | | |
| | | | | J-0 to N-1 | P-0 to P-3 | | | | | | | |
| 1 | Water Tank | KM-231BAJ | 118944P01 | 1 | 1 | | | | | | | |
| | | KM-301B_J | 118840P01 | 1 | 1 | | | | | | | |
| 1a | Thumbscrew | | 415949G12 | 4 | 4 | | | | | | | |
| 2 | Cube Guide A | | 258598P01 | 2 | 2 | | | | | | | |
| 3 | Cube Guide B | KM-231BAJ | 2A3363-01 | 1 | 1 | | | | | | | |
| | | KM-301B_J | | 2 | 2 | | | | | | | |
| 4 | Tank Hook B | KM-231BAJ | 371007M01 | 1 | 1 | | | | | | | |
| | | KM-301B_J | 371193M01 | 1 | 1 | | | | | | | |
| 4a | Thumbscrew | | 415949G12 | 2 | 2 | | | | | | | |
| 5 | Tank Hook D | | 371204M01 | 1 | 1 | | | | | | | |
| 6 | Pump Motor (includes items 7 and 8) | | 384346G01 | 1 | 1 | | | | | | | |
| 7 | Pump Motor Cover | | 371173R01 | 1 | 1 | | | | | | | |
| 8 | Pump Motor Capacitor | 1 MFD, 400VAC | 4A2128-09 | 1 | 1 | | | | | | | |
| 9 | Inlet Water Valve | | 3U0150-01 | 1 | 1 | | | | | | | |
| 10 | Rubber Gasket | | 4A7594-01 | 1 | 1 | | | | | | | |
| 11 | Water Supply Pipe | | 2A9244G01 | 1 | 1 | | | | | | | |
| 12 | Water Supply Pipe A | | 472438R01 | 1 | 1 | | | | | | | |
| 13 | Elbow | | 470303-01 | 1 | 1 | | | | | | | |
| 14 | Water Supply Pipe B | | 472439R01 | 1 | 1 | | | | | | | |
| 15 | Grommet B | | 472436R01 | 1 | 1 | | | | | | | |
| 16 | Spray Guide | KM-231BAJ | 252052P03 | 1 | - | | | | | | | |
| | | | 2A4282-03 | | 1 | | | | | | | |
| | | KM-301B_J | 118939P01 | 1 | - | | | | | | | |
| | | | 2A4282-01 | | 1 | | | | | | | |
| 17 | Water Supply Tube | KM-231BAJ | 250743-03 | 1 | 1 | | | | | | | |
| | | KM-301B_J | 254949P01 | 1 | 1 | | | | | | | |
| 18 | Spray Tube | KM-231BAJ | 255329P01 | 1 | 1 | | | | | | | |
| | | KM-301B_J | 254950P01 | 1 | 1 | | | | | | | |
| 19 | Plug | | 4A0176-01 | 1 | 1 | | | | | | | |
| 20 | Water Supply Pipe E | | 472558R01 | 1 | 1 | | | | | | | |
| 21 | Water Supply Pipe F | | 255236R01 | 1 | 1 | | | | | | | |
| 22 | Socket | | 472564P01 | 1 | 1 | | | | | | | |
| 23 | Drain Valve | | 384344G01 | 1 | 1 | | | | | | | |
| 24 | Drain Pipe | | 472441R01 | 1 | 1 | | | | | | | |
| 25 | SI Hose | | 7730-1519 | 1 | 1 | | | | | | | |
| 26 | Drain Pipe B | | 472442P01 | 1 | 1 | | | | | | | |
| 27 | Float Switch | | P00816-01 | 1 | 1 | | | | | | | |
| 28 | Orifice | KM-231BAJ | 4Y4194P01 | 1 | 1 | | | | | | | |
| 29 | Spring Washer | | 7L22-0400 | 1 | 1 | | | | | | | |
| 30 | Cleaning Valve | | 384352G01 | 1 | 1 | | | | | | | |
| 31 | Insulation Tube | | 7762-2040 | 1 | 1 | | | | | | | |
| 32 | Insulation Tube | | 7762-2040 | 1 | 1 | | | | | | | |
| 33 | Insulation Tube | | 7762-2040 | 1 | 1 | | | | | | | |
| 34 | Hose Clamp | 13.5 mm | 427443-07 | 1 | 1 | | | | | | | |
| 35 | Hose Clamp | 18 mm | 427433-05 | 3 | 3 | | | | | | | |
| 36 | Hose Clamp | 20 mm | 427443-06 | 4 | 4 | | | | | | | |

D. Control Box Assembly

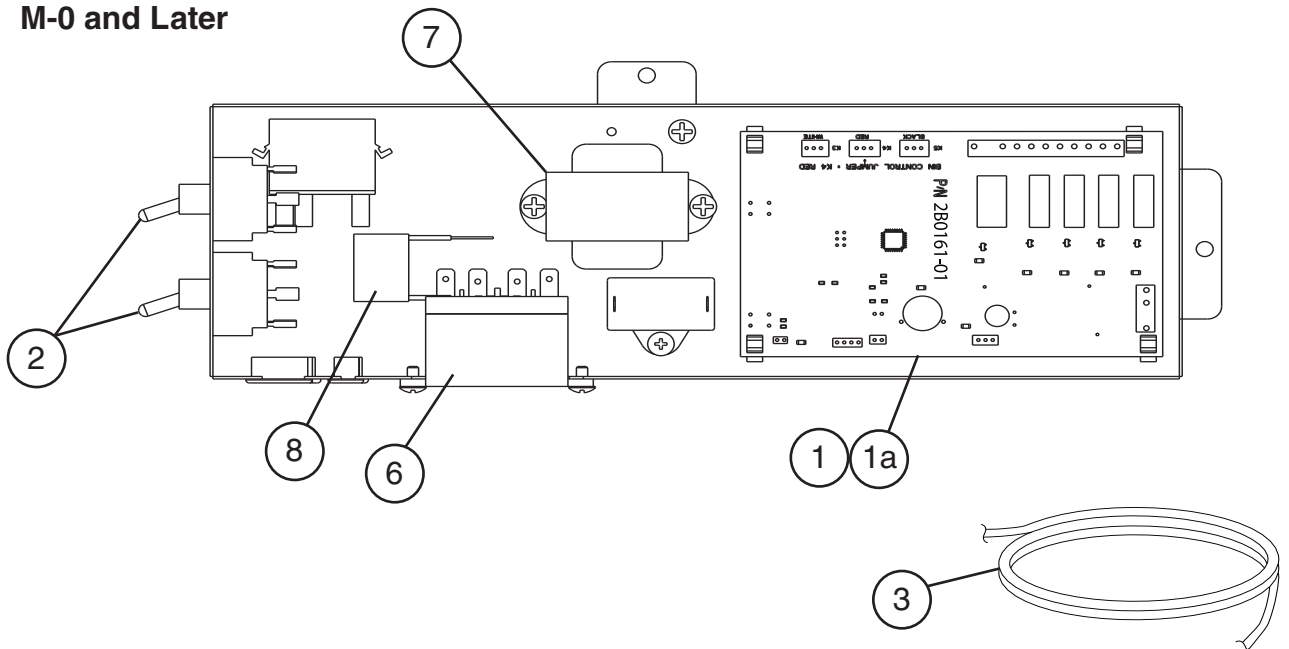
KM-231BAJ, KM-301B_J

J-0 to P-3

L-1 and Earlier

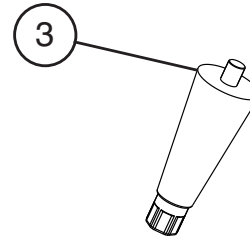
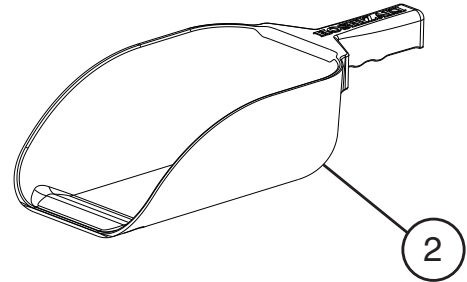
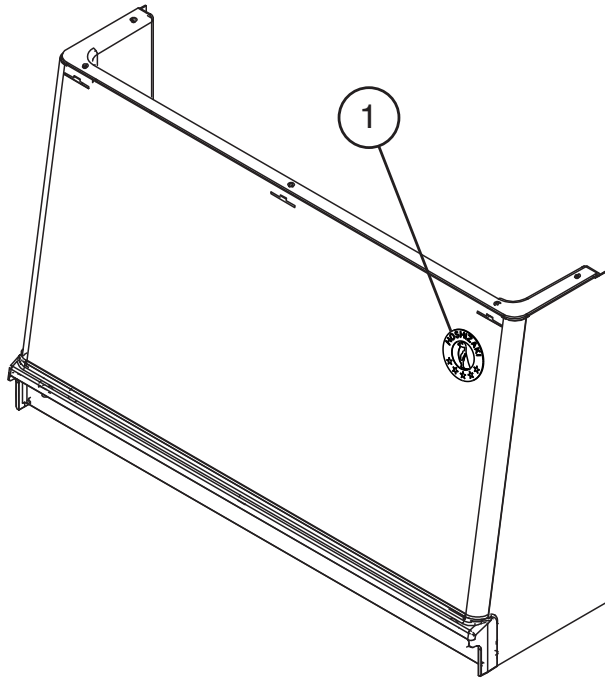


M-0 and Later



| Title: D. Control Box Assembly Model: KM-231BAJ, KM-301B_J | | | | | | | | | | | |
|------------------------------------------------------------|----------------------------------------------------------------------|--------------------------|-------------|-----------------|------------|--|--|--|--|--|--|
| Index No. | Description | Material or Model Number | Part Number | Required Number | | | | | | | |
| | | | | J-0 to L-1 | M-0 to P-3 | | | | | | |
| 1 | Control Board | KM-231BAJ KM-301BAJ | SP-5633 | 1 | - | | | | | | |
| | | | 2B0161-01 | | 1 | | | | | | |
| | | KM-301BWJ | SP-5634 | 1 | - | | | | | | |
| | | | 2B0161-01 | | 1 | | | | | | |
| 1a | Control Board Support | | 4A0336-03 | 4 | 4 | | | | | | |
| 2 | Toggle Switch | | P00033-01 | 2 | - | | | | | | |
| | | | 443119-01 | | 2 | | | | | | |
| 3 | Wire Harness (includes items 4 and 5 serial number L-2 and later) | | 1A6589-01 | | 1 | | | | | | |
| 4 | Fuse Holder | | P00014-01 | 1 | - | | | | | | |
| | | | 4A5443-01 | | 1 | | | | | | |
| 5 | Fuse | 5A, 250V | P01143-01 | 1 | 1 | | | | | | |
| 6 | Power Relay | | 4A3140-01 | 1 | 1 | | | | | | |
| 7 | Control Transformer | | 3A4395-01 | 1 | - | | | | | | |
| | | | 3A0172-01 | | 1 | | | | | | |
| 8 | Noise Killer (capacitor) | .47 MFD, 275VAC | P00228-01 | 1 | 1 | | | | | | |

E. Accessories & Labels
KM-231BAJ, KM-301B_J
 J-0 to P-3



| Title: E. Accessories & Labels Model: KM-231BAJ, KM-301B_J | | | | | | | | | | |
|------------------------------------------------------------|---------------|--------------------------|-------------|-----------------|--|--|--|--|--|--|
| Index No. | Description | Material or Model Number | Part Number | Required Number | | | | | | |
| | | | | J-0 to P-3 | | | | | | |
| 1 | Penguin Label | | 475552L02 | 1 | | | | | | |
| 2 | Scoop | | 2X4119P01 | 1 | | | | | | |
| 3 | Leg | | 4A2525-01 | 4 | | | | | | |