



HOSHIZAKI

Parts List

Modular Crescent Cuber

Model
KM-260BWH



hoshizakiamerica.com

Number: F041-3250
Issued: 7-2016

Auxiliary Codes

| | | |
|------------------|-----|----------------|
| KM-260BWH | U-1 | September 2009 |
| | V-1 | April 2010 |
| | V-2 | August 2010 |

Auxiliary Code Breakdown

The auxiliary code is the first two characters in the serial number. The first character indicates the year. Years progress or regress in alphabetical order. The series runs from "A" through "V" and the letters "I" and "O" are skipped. The second character indicates significant part changes within a year. Base is "0" and this number advances for each change. In cases where there is a letter in parentheses, this designates the month. This is the last character in the serial number. The series runs from "(A)" through "(M)" and the letter "(I)" is skipped. This designation is only included when identifying a parts change within an auxiliary code.

Note About Ordering Parts

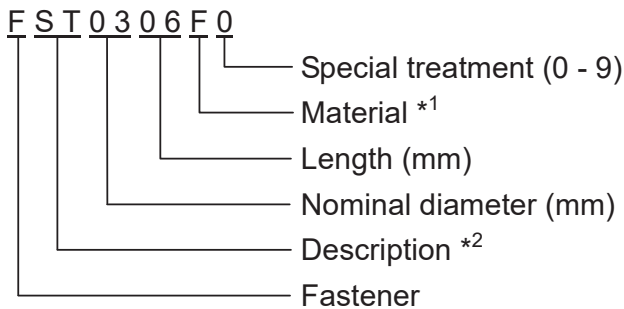
Most assemblies cannot be ordered as complete units; parts in the assemblies generally must be ordered separately.

MARKS LOCATED UNDER THE AUXILIARY CODE

- = Part deleted.
- x = Part deleted and replaced by "o" part.
- o = New part in place of "x" part.

FASTENER PART NUMBER

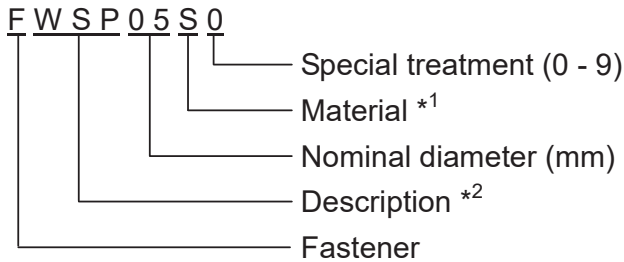
SCREWS



*1 Material

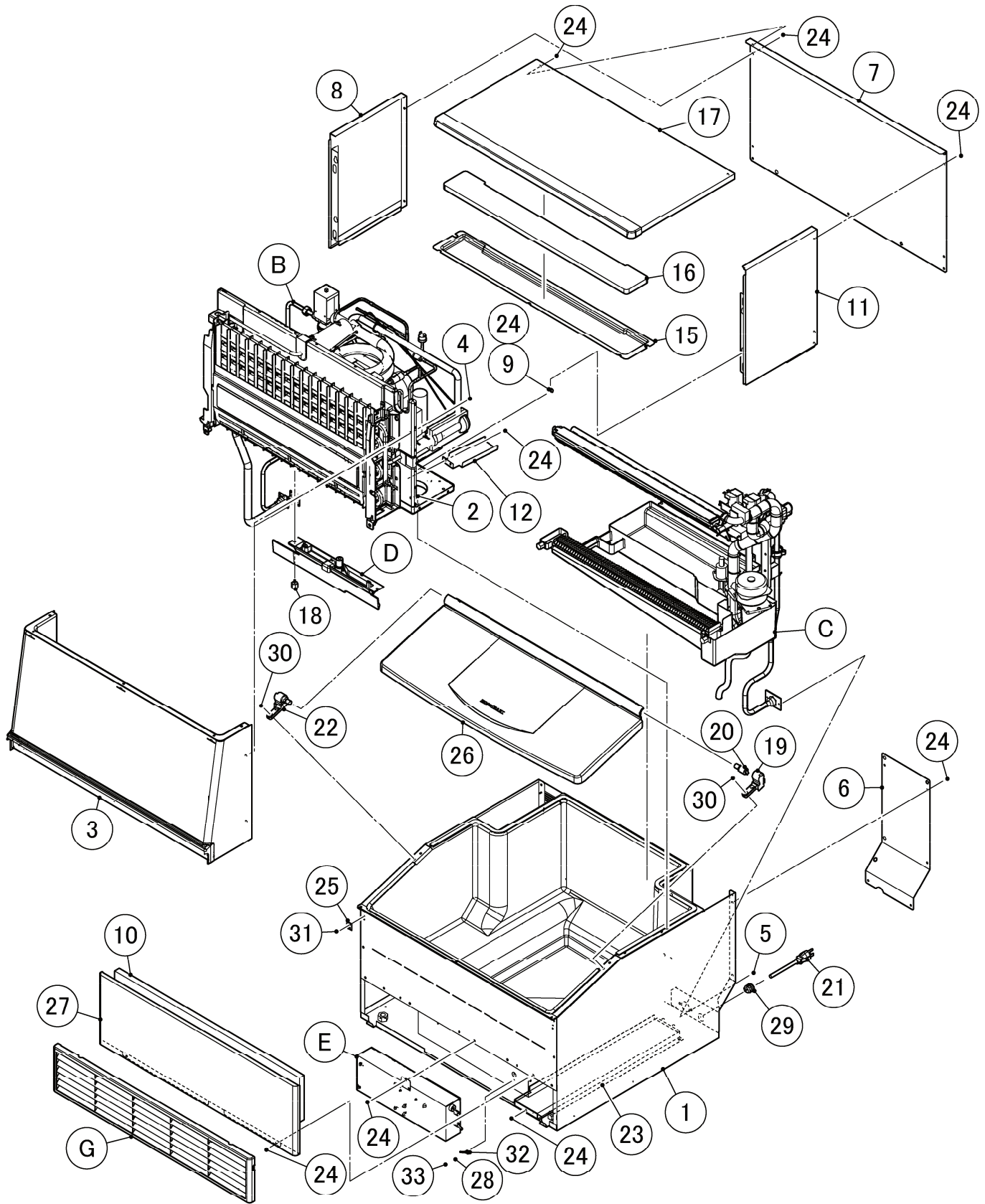
- F: Steel
- S: Austenitic stainless steel
- M: Martensitic stainless steel
- B: Copper alloy
- P: Polycarbonate
- N: Polyamide
- V: PVC
- A: ABS
- X: Polyacetal
- L: Aluminum

NUTS & WASHERS



*2 Description

- First letter
- S: Machine screw
- T: Tapping screw
- M: Wood screw
- B: Bolt
- W: Washer
- N: Nut



MODEL: **KM-260BWH**

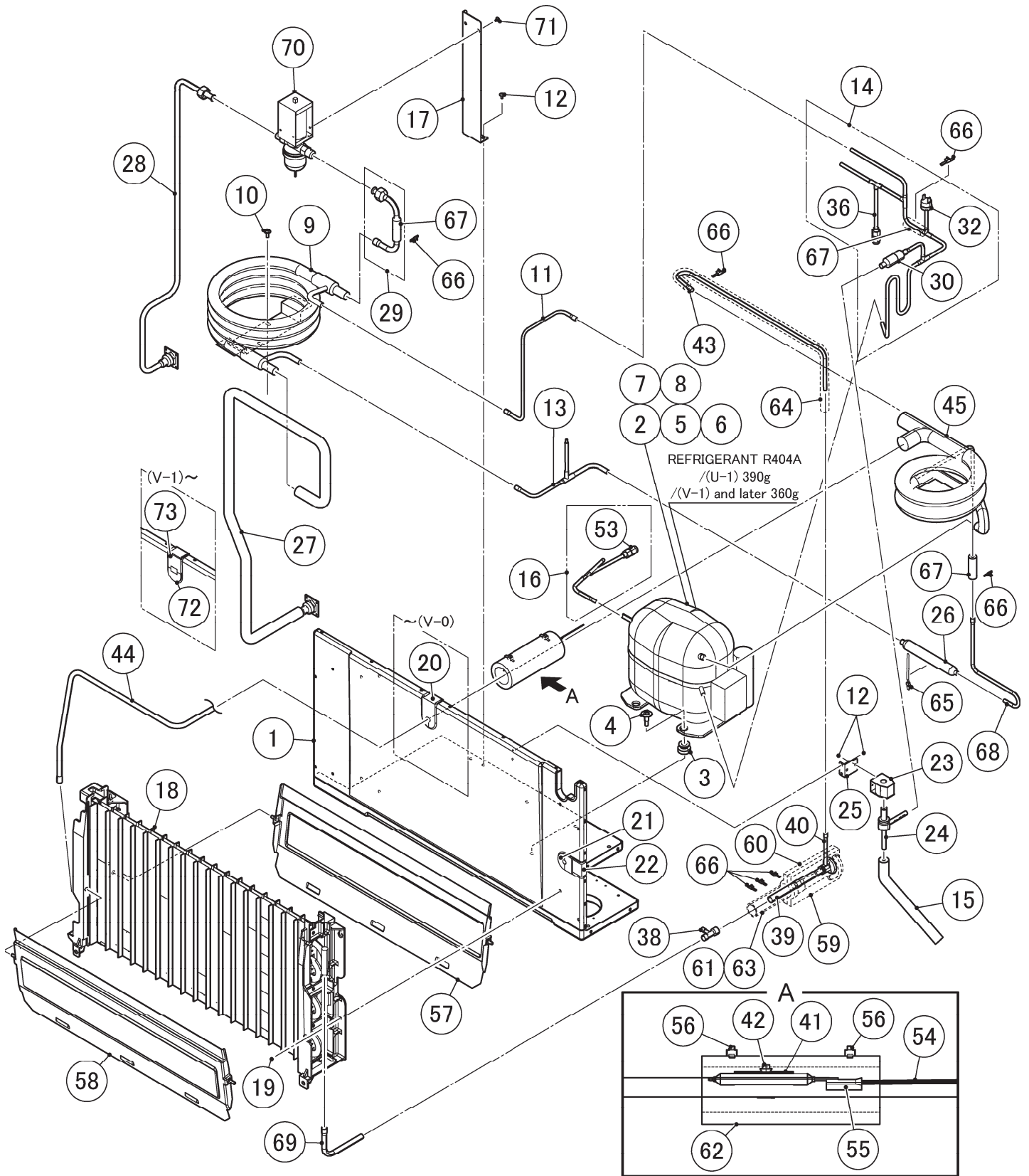
TITLE: **A. ICE CUBER ASSY**

| INDEX NO. | DESCRIPTION | MATERIAL OR MODEL NUMBER | PART NUMBER | REQ'D NUMBER | | | |
|-----------|----------------------------|--------------------------|-------------|--------------|-----|-----|--|
| | | | | U-1 V-0 | V-1 | V-2 | |
| B | REFRIGERATION CIRCUIT | | 119697A01 | 1 | 1 | 1 | |
| C | WATER CIRCUIT-260 | | 119146A01 | 1 | - | - | |
| | | | 120450A01 | | 1 | 1 | |
| D | MECHANICAL BIN SWITCH - 30 | | 371417A01 | 1 | 1 | 1 | |
| E | CONTROL BOX ASSY | | 371208A02 | 1 | 1 | 1 | |
| F | LABEL LOCATION | | 256080A03 | 1 | 1 | 1 | |
| G | LOUVER ASSY - 30 | | 371295A02 | 1 | 1 | 1 | |
| H | ACCESSORIES | | A01679-01 | 1 | 1 | 1 | |
| | | | | | | | |
| 1 | BIN ASSY - 30 | | 118990G04 | 1 | 1 | 1 | |
| 2 | TRUSS HEAD SCREW | SUS 4x30 | FST0430S0 | 5 | 5 | 5 | |
| 3 | FRONT COVER - 30 | | 254938G02 | 1 | 1 | 1 | |
| 4 | TRUSS HEAD SCREW | SUS 4x20 | FST0420S0 | 4 | 4 | 4 | |
| 5 | T2 SCREW | SUS 4x12 | FT20412M0 | 6 | 6 | 6 | |
| 6 | REAR COVER | | 371199M01 | 1 | 1 | 1 | |
| 7 | REAR PANEL (UP) | | 371000M02 | 1 | 1 | 1 | |
| 8 | SIDE PANEL (L,UP) | | 371013G02 | 1 | 1 | 1 | |
| 9 | TAPER COLLAR | | 4H0171-01 | 4 | 4 | 4 | |
| 10 | INSULATION (F) - 30 | | 472742P01 | 1 | 1 | 1 | |
| 11 | SIDE PANEL (R,UP) | | 371015G03 | 1 | 1 | 1 | |
| 12 | BARRIER | | 474515M01 | 1 | 1 | 1 | |
| 15 | TOP COVER - 30 | | 254953P01 | 1 | 1 | 1 | |
| 16 | INSULATION - TOP (30) | | 472444P01 | 1 | 1 | 1 | |
| 17 | TOP PANEL - 30 | | 371008G02 | 1 | 1 | 1 | |
| 18 | THUMBSCREW | | 415949G12 | 2 | 2 | 2 | |
| 19 | HINGE MOUNT (R) | | 370969P01 | 1 | 1 | 1 | |
| 20 | HINGE | FYN-P1-R103 | P01080-01 | 1 | 1 | 1 | |
| 21 | POWER SUPPLY CORD | | P00004-01 | 1 | 1 | 1 | |
| 22 | HINGE MOUNT (L) | | 370970P01 | 1 | 1 | 1 | |
| 23 | WIRE COVER | | 372564M01 | 1 | 1 | 1 | |
| 24 | TRUSS HEAD SCREW | 4x8 | FST0408F0 | 25 | 25 | 25 | |
| 25 | CLAMP | | 472587M01 | 2 | 2 | 2 | |
| 26 | DOOR ASSY | | 370980G01 | 1 | 1 | 1 | |

MODEL: **KM-260BWH**

TITLE: **A. ICE CUBER ASSY**

| INDEX NO. | DESCRIPTION | MATERIAL OR MODEL NUMBER | PART NUMBER | REQ'D NUMBER | | | |
|-----------|-----------------------------------|--------------------------|-------------|--------------|-----|-----|--|
| | | | | U-1 V-0 | V-1 | V-2 | |
| 27 | FRONT PANEL (LO) | | 255033M04 | 1 | 1 | 1 | |
| 28 | SPRING WASHER | | FWSP04S0 | 1 | 1 | 1 | |
| 29 | BUSHING | SR-7K-2 | 420472-02 | 1 | 1 | 1 | |
| 30 | PAN HEAD SCREW (S) | SUS 5x16 | FSS0516S0 | 4 | 4 | 4 | |
| 31 | TRUSS HEAD TAPPING SCREW (TYPE B) | 4x8 | FT20408F0 | 2 | 2 | 2 | |
| 32 | WIRE HARNESS | | 255562Z01 | 1 | 1 | 1 | |
| 33 | TRUSS HEAD SCREW | 4x8 | FST0408S0 | 1 | 1 | 1 | |



MODEL: **KM-260BWH**TITLE: **B. REFRIGERATION CIRCUIT**

| INDEX NO. | DESCRIPTION | MATERIAL OR MODEL NUMBER | PART NUMBER | REQ'D NUMBER | | | |
|-----------|----------------------------|----------------------------------|-------------|--------------|-----|-----|--|
| | | | | U-1 V-0 | V-1 | V-2 | |
| 1 | BASE ASSY | | 371180G01 | 1 | - | - | |
| | BASE ASSY - 30 | | 373776G01 | | 1 | 1 | |
| 2 | COMPRESSOR | SC10CL 115V 60Hz | P01081-01 | 1 | 1 | 1 | |
| 3 | GROMMET | | 450897-01 | 4 | 4 | 4 | |
| 4 | BOLT | | 468180-01 | 4 | 4 | 4 | |
| 5 | STARTING RELAY | | P01178-01 | 1 | 1 | 1 | |
| 6 | COVER | | P01179-01 | 1 | 1 | 1 | |
| 7 | STARTING CAPACITOR | | P01180-01 | 1 | 1 | 1 | |
| 8 | CORD RELIEF | | 452239-01 | 1 | 1 | 1 | |
| 9 | CONDENSER - WATER COOLED | | P01212-01 | 1 | 1 | 1 | |
| 10 | FLANGE BOLT | | FTQ0512F0 | 2 | 2 | 2 | |
| 11 | COPPER TUBE(E) - H | | 474072M01 | 1 | 1 | 1 | |
| 12 | TRUSS HEAD SCREW | 4X8 | FST0408F0 | 6 | 6 | 6 | |
| 13 | COPPER TUBE(F) - H | | 474073G01 | 1 | 1 | 1 | |
| 14 | COPPER TUBE (A) - H | (includes items: 30, 32, 36) | 371212G03 | 1 | 1 | 1 | |
| 15 | COPPER TUBE - HOT GAS | | 371216G01 | 1 | 1 | 1 | |
| 16 | COPPER TUBE - ACCESS VALVE | (includes item: 53) | 472598G02 | 1 | 1 | 1 | |
| 17 | BRACKET - WR | | 474074M01 | 1 | 1 | 1 | |
| 18 | EVAPORATOR ASSY | | 371296G01 | 1 | - | - | |
| | | | 373810G01 | - | 1 | 1 | |
| 19 | TRUSS HEAD SCREW | SUS 4X12 | FST0412S0 | 4 | 4 | 4 | |
| 20 | GROMMET (A) | | 472435R01 | 1 | - | - | |
| 21 | GROMMET (C1) | | 472437R01 | 1 | 1 | 1 | |
| 22 | GROMMET (C2) | | 472560R01 | 1 | 1 | 1 | |
| 23 | COIL - VALVE | AMS-C12H DU-3 | 4A3277-01 | 1 | 1 | 1 | |
| 24 | VALVE BODY | ATS-B7SH DU-2 | 4A3978-01 | 1 | 1 | 1 | |
| 25 | BRACKET - HOT GAS | | 472590M01 | 1 | 1 | 1 | |
| 26 | DRIER | | P00026-01 | 1 | 1 | 1 | |
| 27 | COPPER TUBE(A) | | 372947G01 | 1 | 1 | 1 | |
| 28 | COPPER TUBE(B) | | 372948G01 | 1 | 1 | 1 | |
| 29 | COPPER TUBE (C) | | 474075G01 | 1 | 1 | 1 | |
| 30 | STRAINER | (included in item 14: 371212G03) | P00812-01 | 1 | 1 | 1 | |

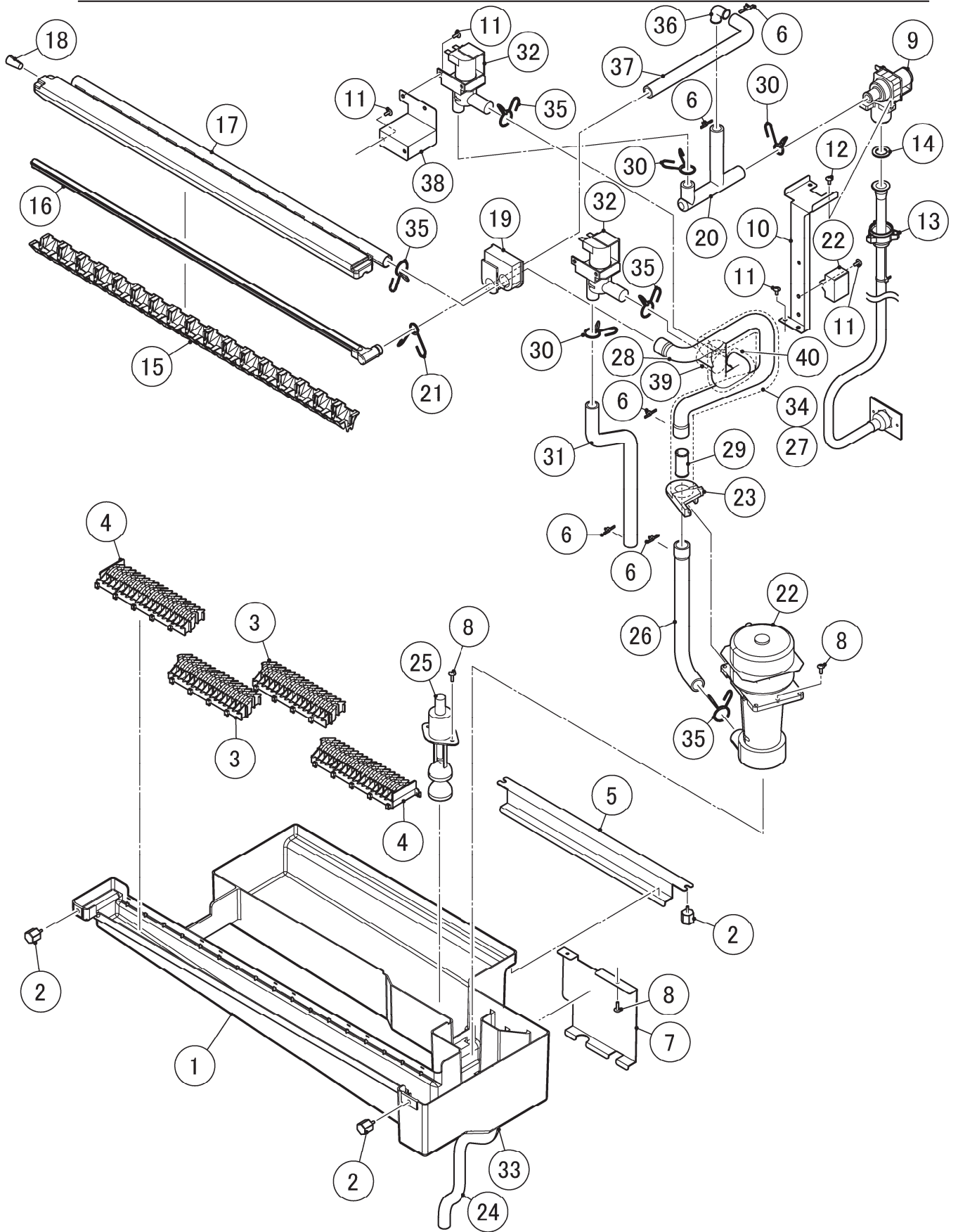
MODEL: **KM-260BWH**TITLE: **B. REFRIGERATION CIRCUIT**

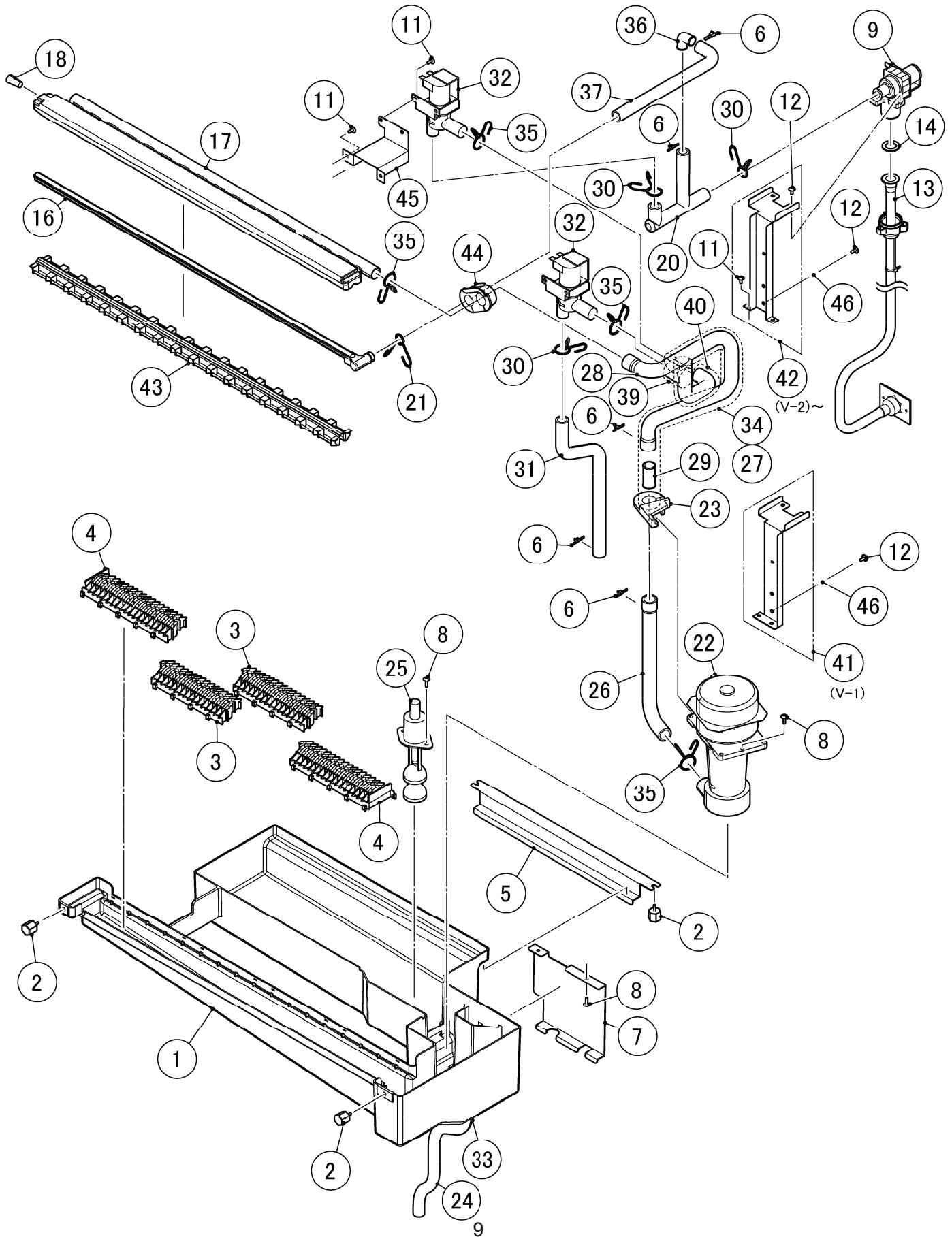
| INDEX NO. | DESCRIPTION | MATERIAL OR MODEL NUMBER | PART NUMBER | REQ'D NUMBER | | | |
|-----------|------------------------|---|-------------|--------------|-----|-----|--|
| | | | | U-1 V-0 | V-1 | V-2 | |
| 32 | PRESSURE SWITCH | (included in item 14: 371212G03) ACB-1UB43 | 463180-05 | 1 | 1 | 1 | |
| 36 | ACCESS VALVE | (included in item 14: 371212G03) TCJ-2F20NHDU-1 | 457729-01 | 1 | 1 | 1 | |
| 38 | TEE | 111R-642 | 436000-08 | 1 | 1 | 1 | |
| 39 | COPPER TUBE (A) - L | | 472596M01 | 1 | 1 | 1 | |
| 40 | EXP. VALVE | HFE-10NHD-2 | 4A1414-01 | 1 | - | - | |
| | | HFE-10NHD-6 | P00826-01 | | 1 | 1 | |
| 41 | HOLDER - EXPV | | 451267-01 | 1 | 1 | 1 | |
| 42 | CLAMP | | 443461-01 | 1 | 1 | 1 | |
| 43 | COPPER TUBE (C) - H | | 371213M01 | 1 | 1 | 1 | |
| 44 | COPPER TUBE (C) - L | | 371215M01 | 1 | - | - | |
| | | | 374282M01 | | 1 | 1 | |
| 45 | HEAT EXCHANGER | | 255315G02 | 1 | 1 | 1 | |
| 53 | ACCESS VALVE | (included in item 16: 472598G02) TCJ-2F20NHDU-1 | 457729-01 | 1 | 1 | 1 | |
| 54 | THERMISTOR | | P00027-01 | 1 | 1 | 1 | |
| 55 | HOLDER - THERMISTOR | | 436455-01 | 1 | 1 | 1 | |
| 56 | TIE | CV-200 | 7920-0010 | 2 | 2 | 2 | |
| 57 | SEPARATOR - 30 | | 370971G03 | 1 | 1 | 1 | |
| 58 | SEPARATOR - 30 | | 370971G04 | 1 | 1 | 1 | |
| 59 | COVER (A) - EXP. VALVE | | 324313-01 | 1 | 1 | 1 | |
| 60 | COVER (B) - EXP. VALVE | | 324313-02 | 1 | 1 | 1 | |
| 61 | INSULATION TUBE | 7762-2030 L=100 | H72030100 | 1 | 1 | 1 | |
| 62 | INSULATION TUBE | 7762-3858 L=150 | H73858150 | 1 | 1 | 1 | |
| 63 | INSULATION TUBE | | H71323140 | 1 | 1 | 1 | |
| 64 | INSULATION TUBE | | H70717640 | 1 | 1 | 1 | |
| 65 | PUSH MOUNT TIE | T30RSF | 436156-01 | 1 | 1 | 1 | |
| 66 | TIE | CV-150 | 7920-0003 | 8 | 8 | 8 | |
| 67 | INSULATION TUBE | 7762-1020 L=50 | H71020050 | 3 | 3 | 3 | |
| 68 | COPPER TUBE (B) - H | | 472595M01 | 1 | 1 | 1 | |

MODEL: **KM-260BWH**

TITLE: **B. REFRIGERATION CIRCUIT**

| INDEX NO. | DESCRIPTION | MATERIAL OR MODEL NUMBER | PART NUMBER | REQ'D NUMBER | | | |
|-----------|---------------------|--------------------------|-------------|--------------|-----|-----|--|
| | | | | U-1 V-0 | V-1 | V-2 | |
| 69 | COPPER TUBE (B) - L | | 472597M01 | 1 | - | - | |
| | | | 474848M01 | | 1 | 1 | |
| 70 | WATER REGULATOR | | P04025-01 | 1 | 1 | 1 | |
| 71 | TRUSS HEAD SCREW | 4x6 | FST0406F0 | 2 | 2 | 2 | |
| 72 | GROMMET (A1) | | 475110R01 | | 1 | 1 | |
| 73 | GROMMET (A2) | | 475111R01 | | 1 | 1 | |



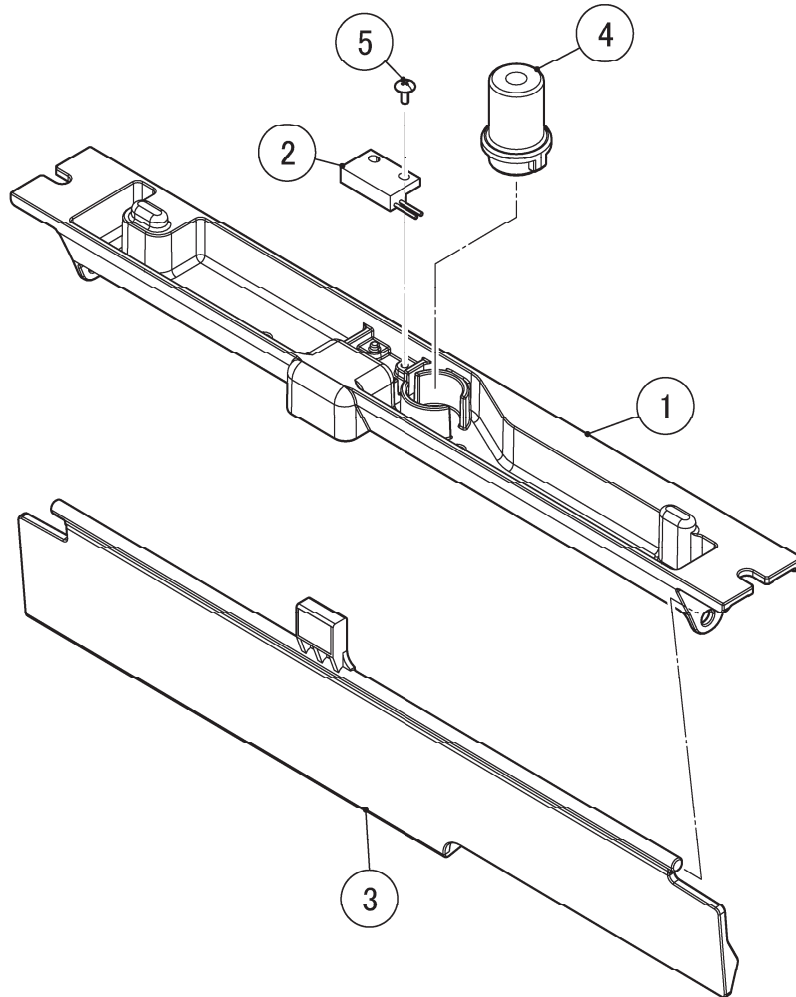


MODEL: **KM-260BWH**TITLE: **C. WATER CIRCUIT - 260**

| INDEX NO. | DESCRIPTION | MATERIAL OR MODEL NUMBER | PART NUMBER | REQ'D NUMBER | | | |
|-----------|--|--------------------------|-------------|--------------|-----|-----|--|
| | | | | U-1 V-0 | V-1 | V-2 | |
| 1 | TANK - 30 | | 118840P01 | 1 | 1 | 1 | |
| 2 | THUMBSCREW | | 415949G12 | 4 | 4 | 4 | |
| 3 | CUBE GUIDE (B) | | 2A3363-01 | 2 | 2 | 2 | |
| 4 | CUBE GUIDE (A) | | 2A3362-01 | 2 | - | - | |
| | | | 258598P01 | | 2 | 2 | |
| 5 | HOOK (B) - TANK | | 371193M01 | 1 | 1 | 1 | |
| 6 | TIE | CV-100 | 7920-0002 | 5 | 5 | 5 | |
| 7 | HOOK (D) - TANK | | 371204M01 | 1 | 1 | 1 | |
| 8 | TRUSS HEAD SCREW | SUS 4x12 | FST0412S0 | 6 | 6 | 6 | |
| 9 | WATER VALVE | 2L/min | 3U0150-01 | 1 | 1 | 1 | |
| 10 | BRACKET (A) - WATER VALVE | | 372006M01 | 1 | - | - | |
| 11 | TRUSS HEAD SCREW | 4x8 | FST0408F0 | 9 | 9 | 9 | |
| 12 | TRUSS HEAD SCREW | SUS 4x8 | FST0408S0 | 2 | 3 | 3 | |
| | | | | | | | |
| 13 | WATER SUPPLY PIPE | | 371230G01 | 1 | - | - | |
| | | | 373857G01 | | 1 | 1 | |
| 14 | RUBBER GASKET | | 413854-03 | 1 | 1 | 1 | |
| 15 | SPRAY GUIDE | | 118939P01 | 1 | - | - | |
| 16 | WATER SUPPLY TUBE - 30 | | 254949P01 | 1 | 1 | 1 | |
| 17 | SPRAY TUBE - 30 | | 254950P01 | 1 | 1 | 1 | |
| 18 | PLUG | | 4A0176-01 | 1 | 1 | 1 | |
| 19 | GROMMET (B) | | 472436R01 | 1 | - | - | |
| 20 | WATER SUPPLY PIPE (A) | | 472438R01 | 1 | 1 | 1 | |
| 21 | HOSE CLAMP ※Use either of the right | 13.5mm SUS | 427443-07 | 1 | 1 | 1 | |
| | | | P02909-07 | 1 | 1 | 1 | |
| 22 | PUMP MOTOR | PV-0511AHZ1 | P00468-01 | 1 | 1 | 1 | |
| 23 | COVER - PUMP MOTOR | | 371173R01 | 1 | 1 | 1 | |
| 24 | DRAIN PIPE (B) | | 472442P01 | 1 | 1 | 1 | |
| 25 | FLOAT SWITCH | OLV-29Z-2P2 | P00816-01 | 1 | 1 | 1 | |
| 26 | WATER SUPPLY PIPE (E) | | 472558R01 | 1 | - | - | |
| | | | 474711R01 | | 1 | 1 | |
| 27 | TIE | CV-150 | 7920-0003 | 15 | 15 | 15 | |
| 28 | WATER SUPPLY PIPE (F) | | 255236R01 | 1 | 1 | 1 | |
| 29 | SOCKET | | 472564P01 | 1 | 1 | 1 | |

MODEL: **KM-260BWH**TITLE: **C. WATER CIRCUIT - 260**

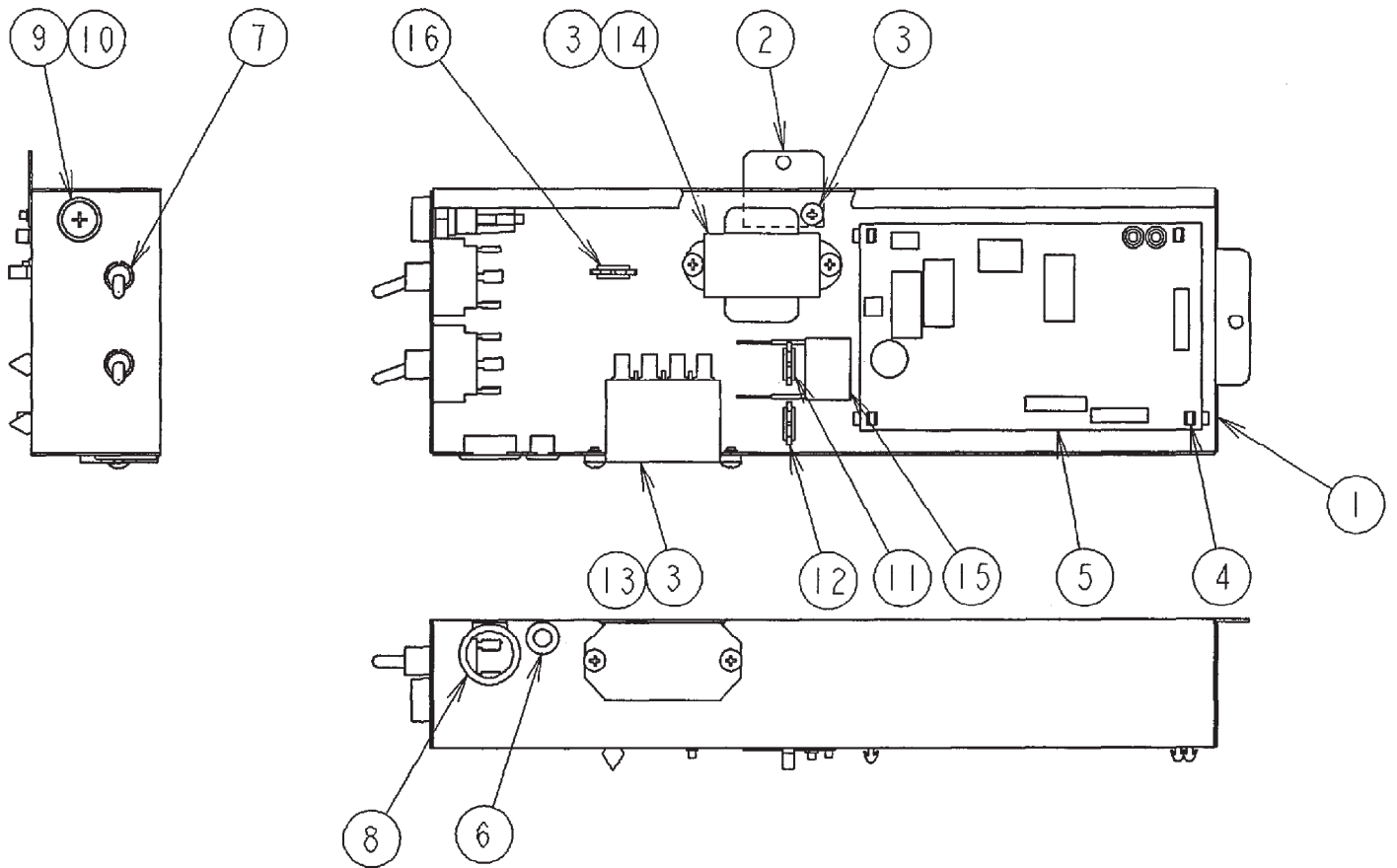
| INDEX NO. | DESCRIPTION | MATERIAL OR MODEL NUMBER | PART NUMBER | REQ'D NUMBER | | | |
|-----------|--|--------------------------|-------------|--------------|-----|-----|--|
| | | | | U-1 V-0 | V-1 | V-2 | |
| 30 | HOSE CLAMP ※Use either of the right | 18mm SUS | 427443-05 | 3 | 3 | 3 | |
| | | | P02909-05 | 3 | 3 | 3 | |
| 31 | DRAIN PIPE | | 472441R01 | 1 | - | - | |
| | | | 472441R02 | | 1 | 1 | |
| 32 | SOLENOID VALVE | FDC-90-02-115 | P00018-02 | 2 | 2 | 2 | |
| 33 | SILICON HOSE | φ14xφ18xL30 | H11418030 | 1 | 1 | 1 | |
| 34 | INSULATION TUBE | 7762-2030 L=510 | H72030510 | 1 | - | - | |
| | | | H72030480 | | 1 | 1 | |
| 35 | HOSE CLAMP ※Use either of the right | 20mm SUS | 427443-06 | 4 | 4 | 4 | |
| | | | P02909-06 | 4 | 4 | 4 | |
| 36 | ELBOW | | 470303-01 | 1 | 1 | 1 | |
| 37 | WATER SUPPLY PIPE (B) | | 472439R01 | 1 | 1 | 1 | |
| 38 | BRACKET (B) - WATER VALVE | | 472467M01 | 1 | 1 | - | |
| 39 | INSULATION TUBE | 7762-2030 L=30 | H72030030 | 1 | 1 | 1 | |
| 40 | INSULATION TUBE | 7762-2030 L=200 | H72030200 | 1 | 1 | 1 | |
| 41 | BRACKET (A) - WATER VALVE | | 373853M01 | | 1 | - | |
| 42 | BRACKET (A) - WATER VALVE | | 374254M01 | | | 1 | |
| 43 | SPRAY GUIDE | | 258313P07 | | 1 | 1 | |
| 44 | GROMMET | | 474786R01 | | 1 | 1 | |
| 45 | BRACKET (B) - WATER VALVE | | 475117M01 | | | 1 | |
| 46 | SPRING WASHER | | FWSP04S0 | 1 | 1 | 1 | |

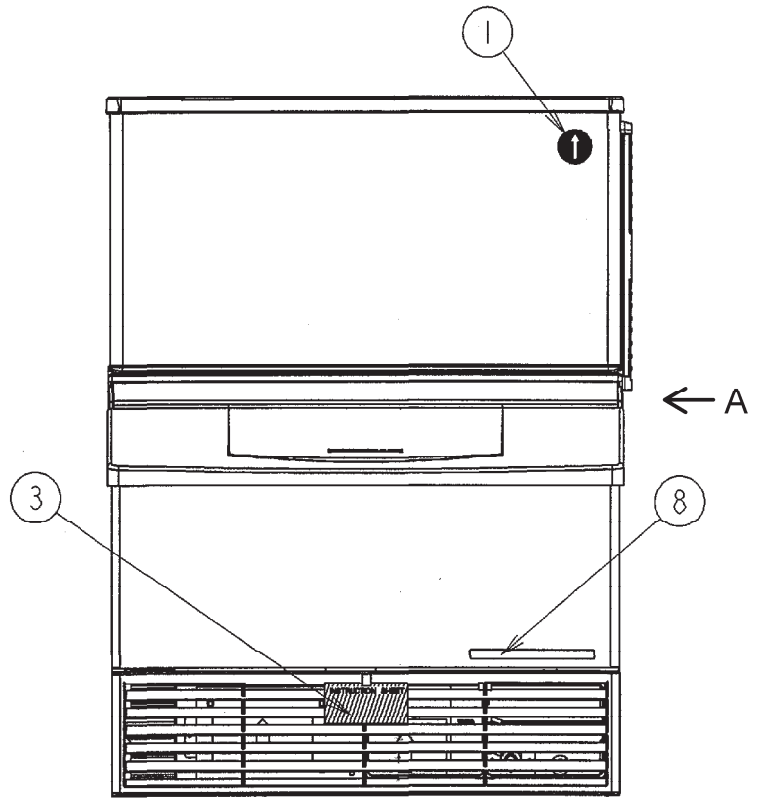
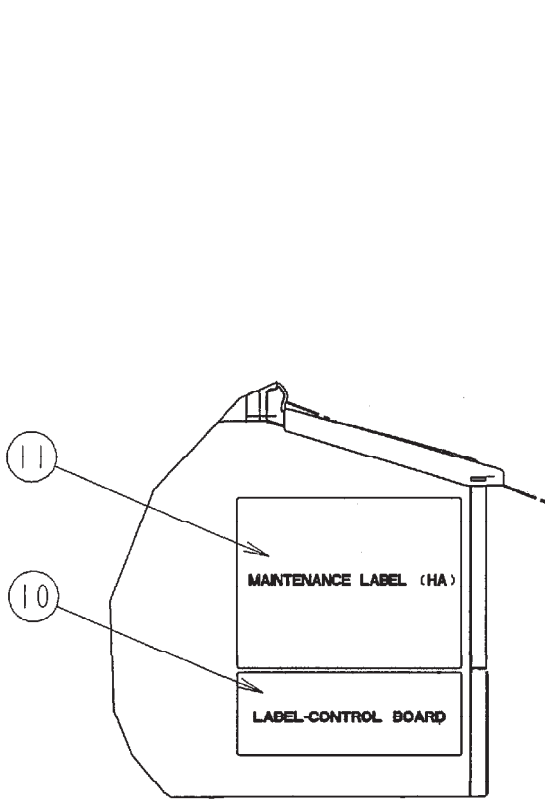
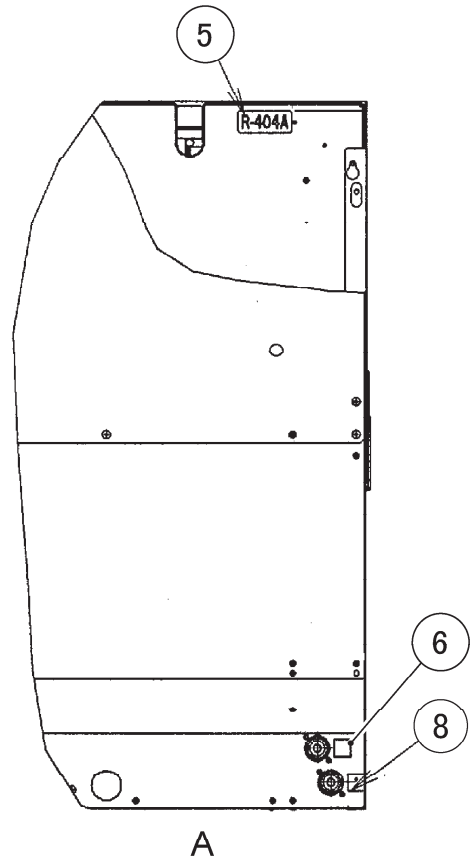
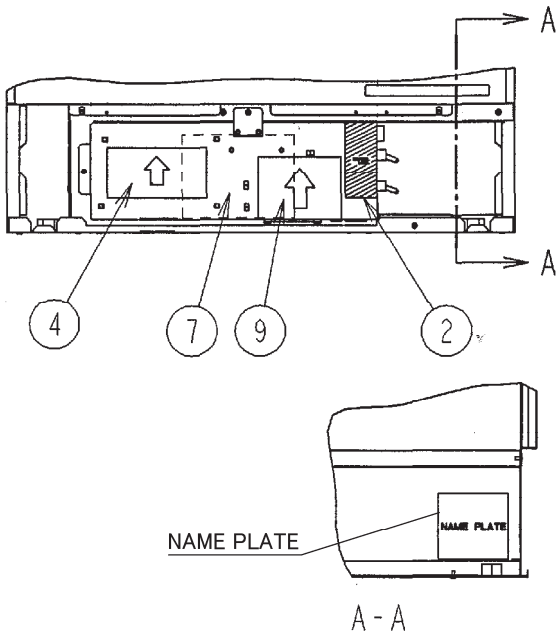


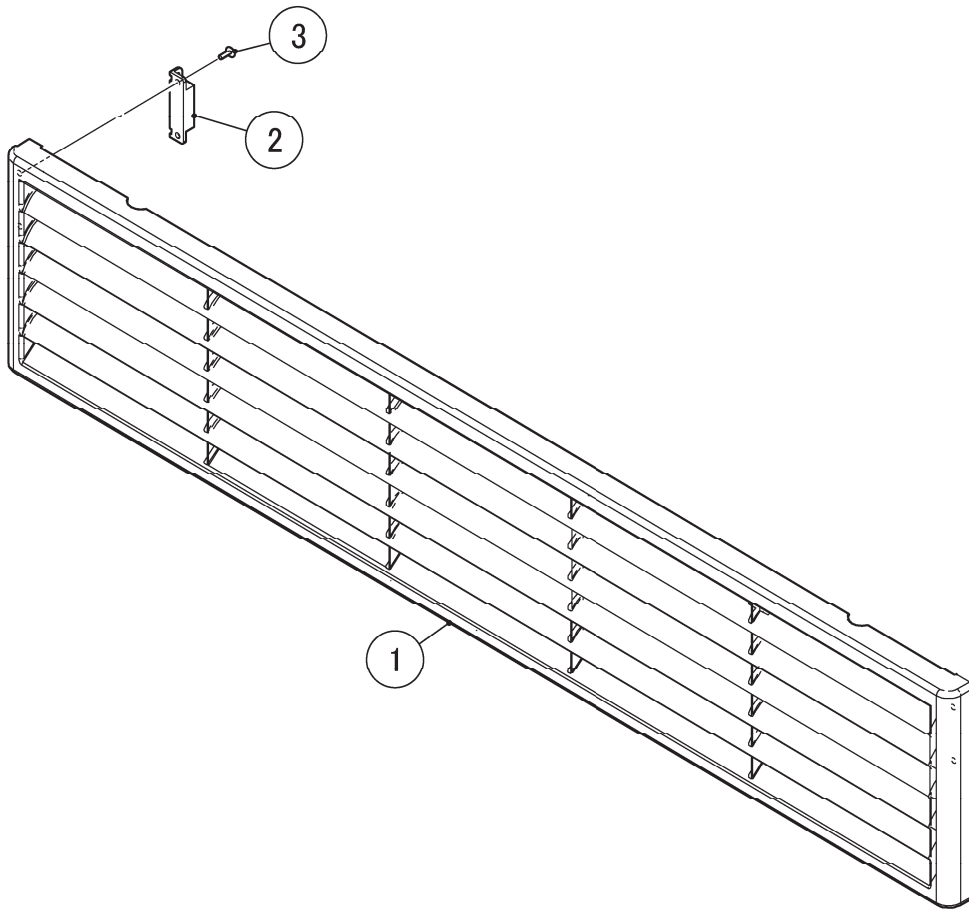
MODEL: KM-260BWH

TITLE: D. MECHANICAL BIN SWITCH - 30

| INDEX NO. | DESCRIPTION | MATERIAL OR MODEL NUMBER | PART NUMBER | REQ'D NUMBER | | | |
|-----------|---------------|--------------------------|-------------|--------------|-----|-----|--|
| | | | | U-1 V-0 | V-1 | V-2 | |
| 1 | ACTUATOR BASE | | 118845P01 | 1 | 1 | 1 | |
| 2 | REED SWITCH | | 431788-02 | 1 | 1 | 1 | |
| 3 | ACTUATOR - 30 | | 371416G01 | 1 | 1 | 1 | |
| 4 | GROMMET (E) | | 472446R01 | 1 | 1 | 1 | |
| 5 | T2 SCREW | SUS 3X8 | FT20308M0 | 1 | 1 | 1 | |
| | | | | | | | |
| | | | | | | | |
| | | | | | | | |
| | | | | | | | |
| | | | | | | | |
| | | | | | | | |
| | | | | | | | |
| | | | | | | | |
| | | | | | | | |
| | | | | | | | |
| | | | | | | | |
| | | | | | | | |
| | | | | | | | |
| | | | | | | | |
| | | | | | | | |
| | | | | | | | |
| | | | | | | | |
| | | | | | | | |
| | | | | | | | |
| | | | | | | | |
| | | | | | | | |
| | | | | | | | |
| | | | | | | | |
| | | | | | | | |
| | | | | | | | |
| | | | | | | | |
| | | | | | | | |
| | | | | | | | |
| | | | | | | | |







MODEL: **KM-260BWH**

TITLE: **G. LOUVER ASSY - 30**

| INDEX NO. | DESCRIPTION | MATERIAL OR MODEL NUMBER | PART NUMBER | REQ'D NUMBER | | | |
|-----------|--------------|--------------------------|-------------|--------------|-----|-----|--|
| | | | | U-1 V-0 | V-1 | V-2 | |
| 1 | LOUVER - 30 | | 118899P01 | 1 | 1 | 1 | |
| 2 | MAGNET CATCH | MC-110NF-GR | P01032-01 | 2 | 2 | 2 | |
| 3 | T2 SCREW | SUS 3x8 | FT20308M0 | 4 | 4 | 4 | |
| | | | | | | | |
| | | | | | | | |
| | | | | | | | |
| | | | | | | | |
| | | | | | | | |
| | | | | | | | |
| | | | | | | | |
| | | | | | | | |
| | | | | | | | |
| | | | | | | | |
| | | | | | | | |
| | | | | | | | |
| | | | | | | | |
| | | | | | | | |
| | | | | | | | |
| | | | | | | | |
| | | | | | | | |
| | | | | | | | |
| | | | | | | | |
| | | | | | | | |
| | | | | | | | |

