



# HOSHIZAKI

## Parts List

Modular Crescent Cuber

Model

KM-300BWJ



[hoshizakiamerica.com](https://www.hoshizakiamerica.com)

Number: F113-4267  
Issued: 12-2022

## **Auxiliary Codes**

<b>KM-300BWJ</b>	G-1	April 2017
	H-1	March 2018

## **Auxiliary Code Breakdown**

The auxiliary code is the first two characters in the serial number. The first character indicates the year. Years progress or regress in alphabetical order. The series runs from "A" through "V" and the letters "I" and "O" are skipped. The second character indicates significant part changes within a year. Base is "0" and this number advances for each change. In cases where there is a letter in parentheses, this designates the month. This is the last character in the serial number. The series runs from "(A)" through "(M)" and the letter "(I)" is skipped. This designation is only included when identifying a parts change within an auxiliary code.

## **Note About Ordering Parts**

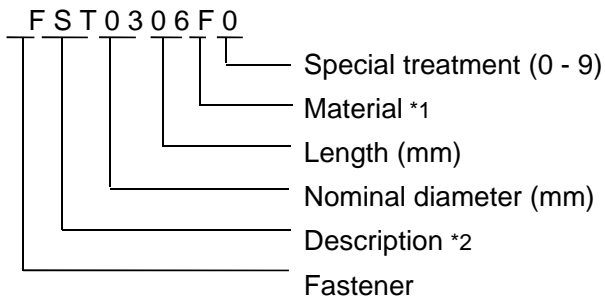
Most assemblies cannot be ordered as complete units; parts in the assemblies generally must be ordered separately.

## MARKS LOCATED UNDER THE AUXILIARY CODE

- = Part deleted.
- x = Part deleted and replaced by "o" part.
- o = New part in place of "x" part.

## FASTENER PART NUMBER

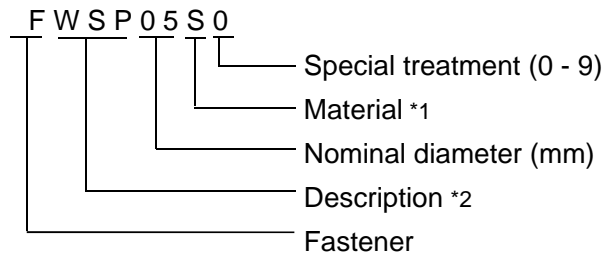
### SCREWS



\*1 Material

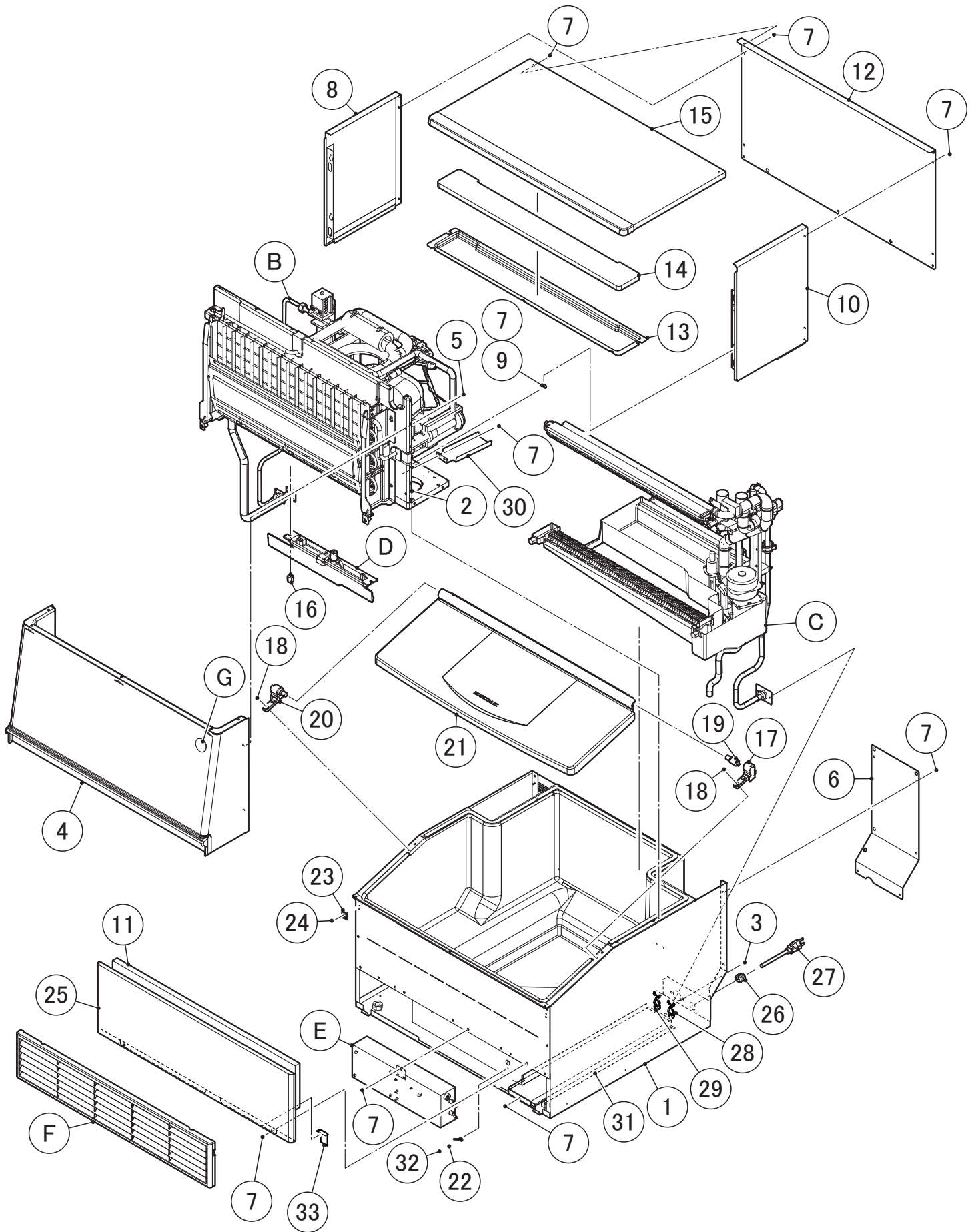
- F: Steel
- S: Austenitic stainless steel
- M: Martensitic stainless steel
- B: Copper alloy
- P: Polycarbonate
- N: Polyamide
- V: PVC
- A: ABS
- X: Polyacetal
- L: Aluminum

### NUTS & WASHERS



\*2 Description

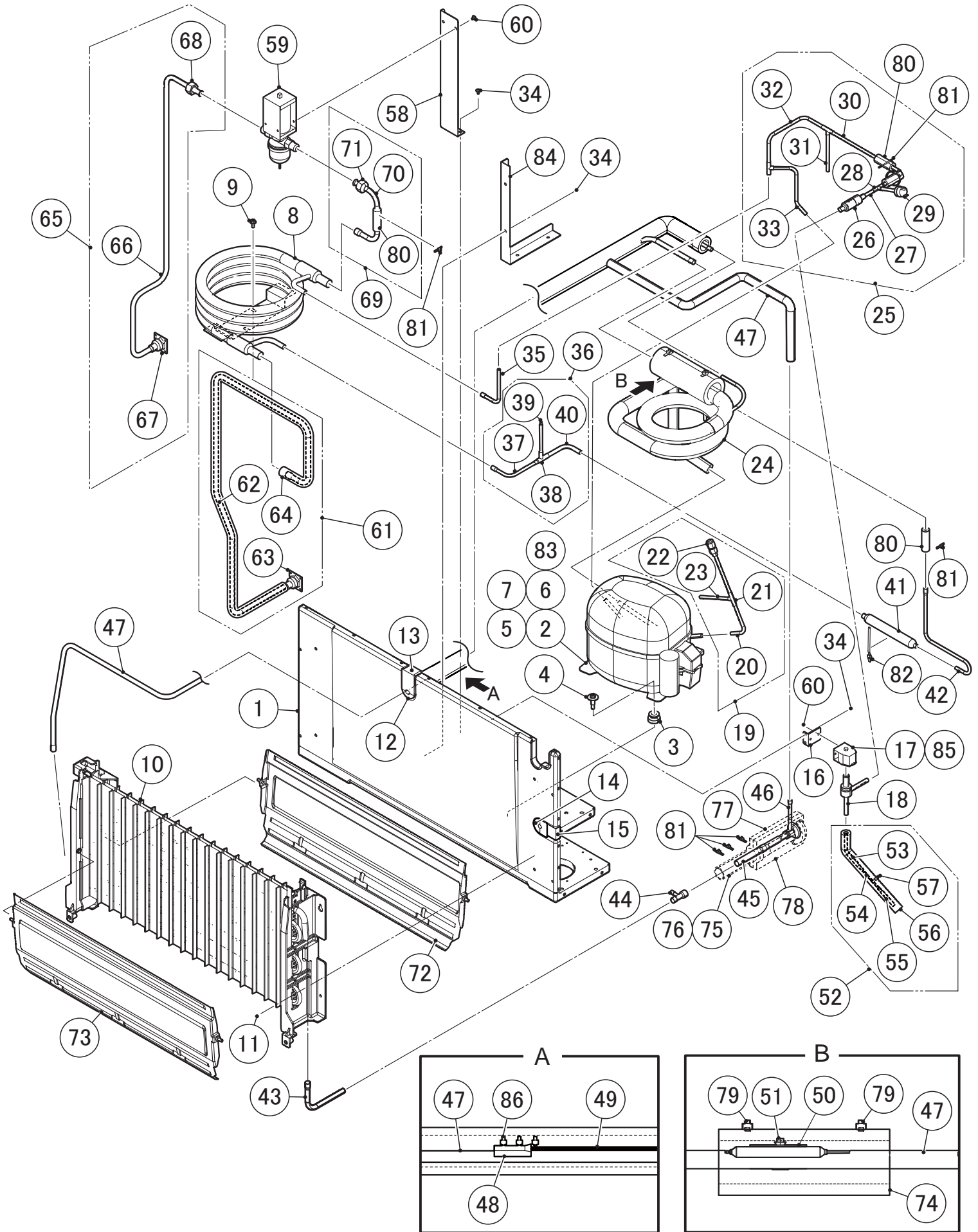
- First letter
- S: Machine screw
- T: Tapping screw
- M: Wood screw
- B: Bolt
- W: Washer
- N: Nut



MODEL: **KM-300BWJ**TITLE: **A. ICE CUBER ASSY**

INDEX NO.	DESCRIPTION	MATERIAL OR MODEL NUMBER	PART NUMBER	REQ'D NUMBER			
				G-1 H-0	H-1		
B	REFRIGERATION CIRCUIT		124910A01	1	1		
C	WATER CIRCUIT-260		124913A01	1	1		
D	MECHANICAL BIN SWITCH - 30		384902A01	1	1		
E	CONTROL BOX ASSY		371208A04	1	1		
F	LOUVER ASSY - 30		371295A02	1	1		
G	LABEL LOCATION		270859A03	1	1		
H	ACCESSORIES		A03349-01	1	1		
1	BIN ASSY - 30		118990G04	1	1		
2	TRUSS HEAD SCREW	SUS 4x30	FST0430S0	5	5		
3	TRUSS HEAD TAPPING SCREW T2	SUS 4x12	FT20412M0	6	6		
4	FRONT COVER - 30		254938G02	1	1		
5	TRUSS HEAD MACHINE SCREW	SUS 4x20	FST0420S0	4	4		
6	REAR COVER		371199M01	1	1		
7	TRUSS HEAD SCREW	4x8	FST0408F0	25	25		
8	SIDE PANEL (L,UP)		371013G02	1	1		
9	TAPER COLLAR		4H0171-01	4	4		
10	SIDE PANEL (R,UP)		371015G03	1	1		
11	INSULATION (F) - 30		472742P01	1	1		
12	REAR PANEL (UP)		371000M02	1	1		
13	TOP COVER - 30		254953P01	1	1		
14	INSULATION - TOP (30)		472444P01	1	1		
15	TOP PANEL - 30		371008G02	1	1		
16	THUMBSCREW		415949G12	2	2		
17	HINGE MOUNT(R)		370969P01	1	1		
18	PAN HEAD MACHINE SCREW (SPRING WASHER)	SUS 5x16	FSS0516S0	4	4		
19	HINGE	FYN-P1-R103	P01080-01	1	1		
20	HINGE MOUNT(L)		370970P01	1	1		
21	DOOR ASSY - 30		370980G01	1	1		
22	SPRING WASHER		FWSP04S0	1	1		
23	CLAMP		472587M01	2	2		
24	T2 TRUSS HEAD SCREW	4x8	FT20408F0	2	2		
25	FRONT PANEL (LO)		255033M04	1	1		





MODEL: **KM-300BWJ**TITLE: **B. REFRIGERATION CIRCUIT**

INDEX NO.	DESCRIPTION	MATERIAL OR MODEL NUMBER	PART NUMBER	REQ'D NUMBER			
				G-1 H-0	H-1		
1	BASE ASSY - 30		384375G01	1	-		
1	BASE ASSY - 30		384375G02	-	1		
2	COMPRESSOR		P01130-01	1	1		
3	RUBBER GROMMET		4A1452-01	4	4		
4	BOLT		468180-01	4	4		
5	STARTING RELAY		4A4232-01	1	1		
6	STARTING CAPACITOR		4A2134-04	1	1		
7	COVER		4A2141-01	1	1		
8	CONDENSER - WATER COOLED		P01212-01	1	1		
9	FLANGE BOLT (S-TITE)		FTQ0512F0	2	2		
10	EVAP. ASSY		384377G01	1	1		
11	TRUSS HEAD SCREW	SUS 4X12	FST0412S0	4	4		
12	GROMMET(A1)		482520R01	1	1		
13	GROMMET(A2)		482521R01	1	1		
14	GROMMET (C1)		472437R01	1	1		
15	GROMMET (C2)		472560R01	1	1		
16	BRACKET - HOT GAS		472590M01	1	1		
17	COIL VALVE (G)		384347G01	1	1		
18	VALVE BODY		4A3978-01	1	1		
19	COPPER TUBE - ACCESS VALVE		482670G01	1	1		
20	COPPER TUBE(A) - ACCESS VALVE		482671M01	1	1		
21	TEE - 6.4		417394-01	1	1		
22	ACCESS VALVE		457729-01	1	1		
23	COPPER TUBE (B) - ACCESS VALVE		482672M01	1	1		
24	HEAT EXCHANGER		270855G01	1	1		
25	COPPER TUBE (A) - H		270853G01	1	1		
26	STRAINER		P00812-01	1	1		
27	COPPER TUBE(A3) - H		482673M01	1	1		
28	TEE - 6.4		417394-01	3	3		
29	PRESSURE SWITCH		P05220-05	1	1		
30	COPPER TUBE(A5) - H		482674M01	1	1		
31	COPPER TUBE (B) - ACCESS VALVE		482672M01	1	1		
32	COPPER TUBE(A4) - H		482675M01	1	1		

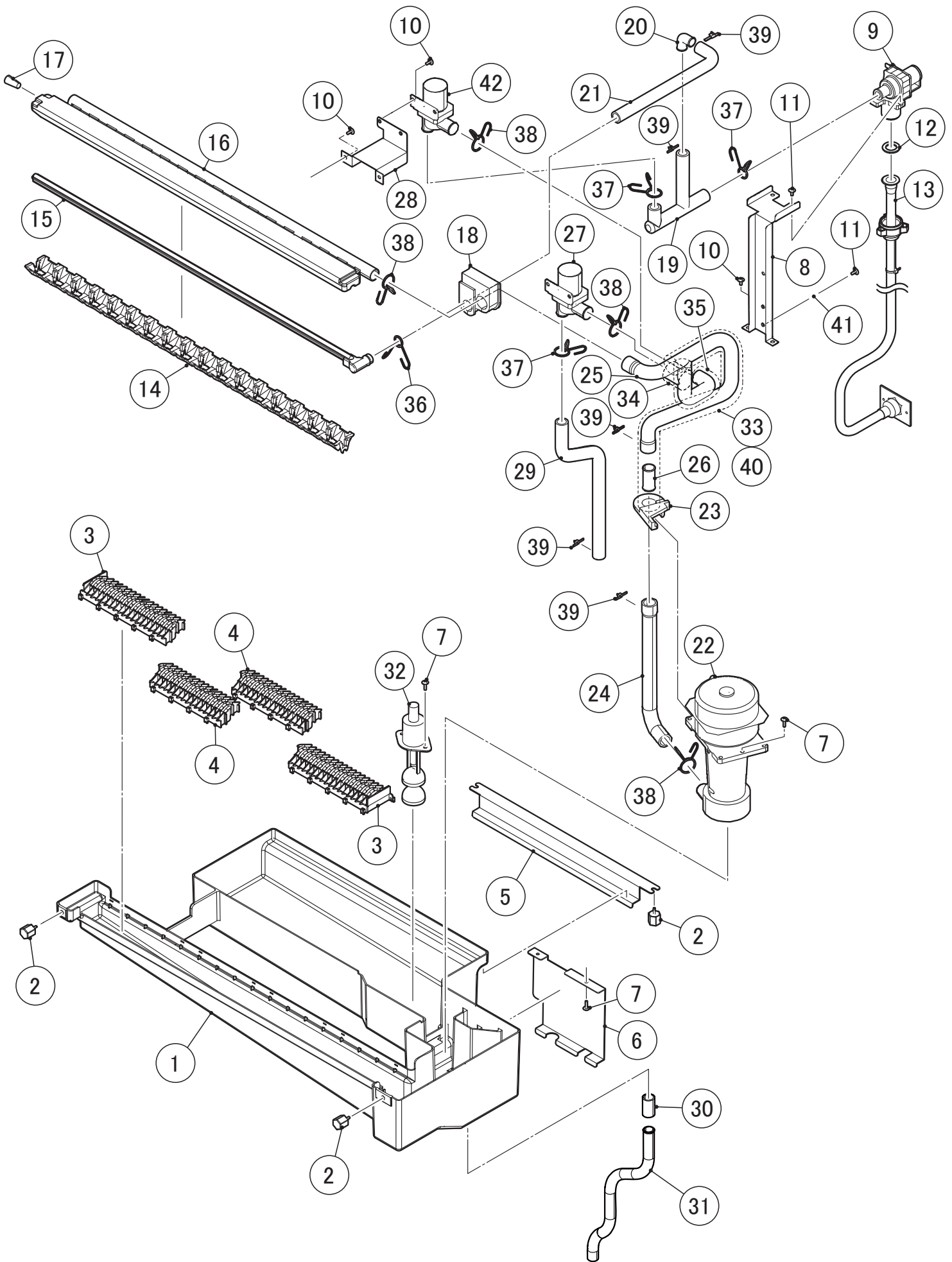


MODEL: **KM-300BWJ**

TITLE: **B. REFRIGERATION CIRCUIT**

INDEX NO.	DESCRIPTION	MATERIAL OR MODEL NUMBER	PART NUMBER	REQ'D NUMBER			
				G-1 H-0	H-1		
33	COPPER TUBE(A1) - H		482676M01	1	1		
34	TRUSS HEAD SCREW	4X8	FST0408F0	8	8		
35	COPPER TUBE(E) - H		482677M01	1	1		
36	COPPER TUBE(F)-H		474073G01	1	1		
37	COPPER TUBE(F1)-H		474073M01	1	1		
38	TEE		420041-03	1	1		
39	COPPER TUBE (B) - CAPILLARY		446047-02	1	1		
40	COPPER TUBE(F2)-H		474073M04	1	1		
41	DRIER		P00026-01	1	1		
42	COPPER TUBE (B) - H		472595M01	1	1		
43	COPPER TUBE (B) - L		472597M01	1	1		
44	TEE		420335-01	1	1		
45	COPPER TUBE (A) - L		472596M01	1	1		
46	EXP. VALVE		P00826-01	1	1		
47	HEAT EXCHANGER		270858G01	1	1		
48	HOLDER-THERMISTOR		436455-01	1	1		
49	THERMISTOR		P00027-01	1	1		
50	HOLDER - EXPV		451267-01	1	1		
51	CLAMP		443461-01	1	1		
52	COPPER TUBE - HOT GAS		384381G01	1	1		
53	COPPER TUBE - HOT GAS		384381M01	1	1		
54	CAPILLARY TUBE		7K2032010	1	1		
55	COPPER TUBE - HOT GAS		384381M03	1	1		
56	INSULATION TUBE		H71020210	1	1		
57	TIE		7920-0003	1	1		
58	BRACKET - WR		474074M01	1	1		
59	WATER REGULATOR		P04025-01	1	1		
60	TRUSS HEAD SCREW	4X6	FST0406F0	4	4		
61	COPPER TUBE(A)		372947G01	1	1		
62	COPPER TUBE(A1)		372947M01	1	1		
63	INLET FITTING		473982G01	1	1		
64	INSULATION TUBE		H71020H12	1	1		
65	COPPER TUBE(B)		372948G01	1	1		

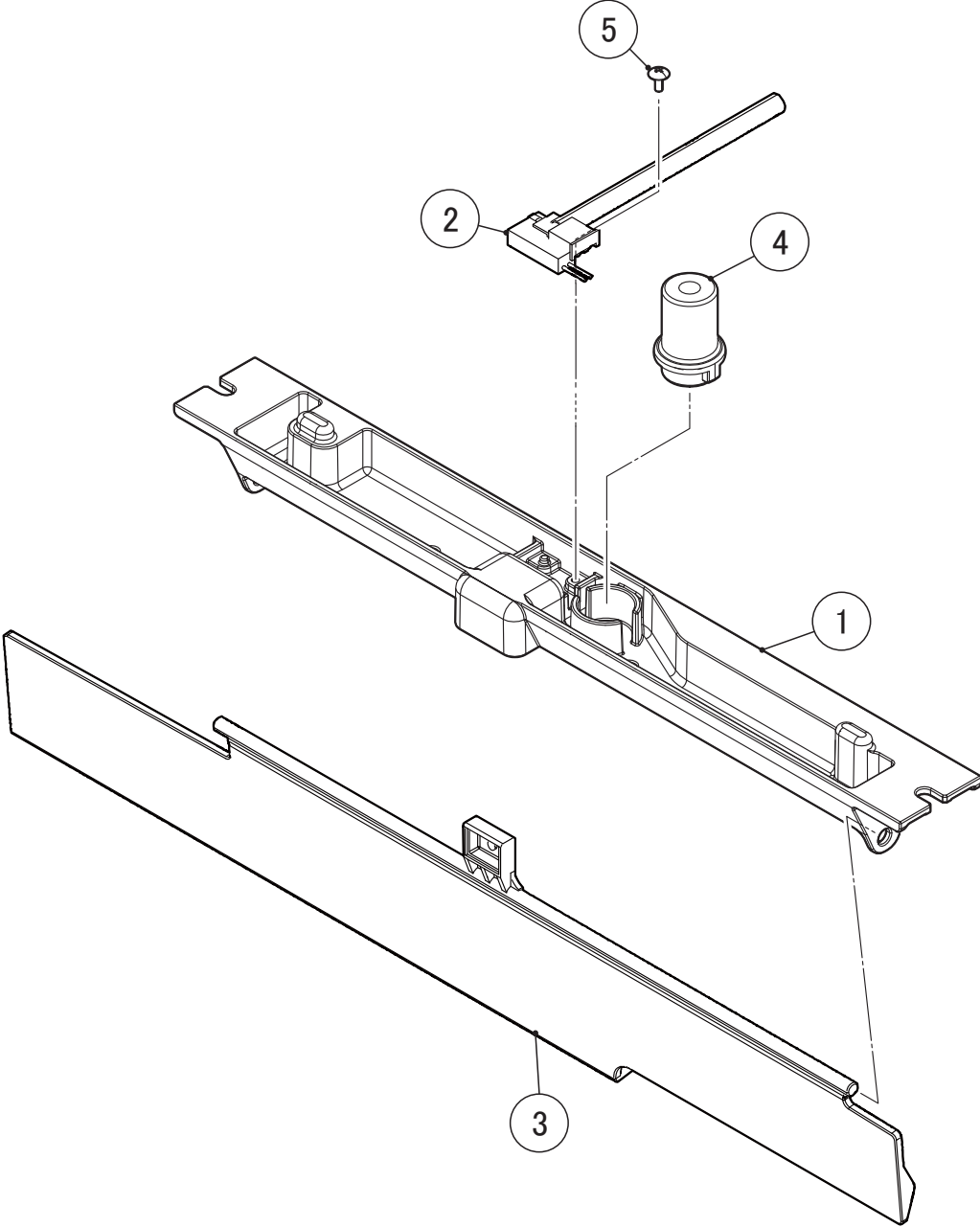




MODEL: **KM-300BWJ**TITLE: **C. WATER CIRCUIT - 260**

INDEX NO.	DESCRIPTION	MATERIAL OR MODEL NUMBER	PART NUMBER	REQ'D NUMBER			
				G-1			
1	TANK - 30		118840P01	1			
2	THUMBSCREW		415949G12	4			
3	CUBE GUIDE (A)		258598P01	2			
4	CUBE GUIDE (B)		2A3363-01	2			
5	HOOK (B) - TANK		371193M01	1			
6	HOOK (D) - TANK		371204M01	1			
7	TRUSS HEAD SCREW		FST0412S0	6			
8	BRACKET(A) - WATER VALVE		384384M01	1			
9	WATER VALVE	2L/min	3U0150-01	1			
10	TRUSS HEAD SCREW	4x8	FST0408F0	9			
11	TRUSS HEAD SCREW	SUS 4x8	FST0408S0	3			
12	RUBBER GASKET		4C0066R01	1			
13	WATER SUPPLY PIPE		371230G01	1			
14	SPRAY GUIDE		118939P01	1			
15	WATER SUPPLY TUBE - 30		254949P01	1			
16	SPRAY TUBE - 30		254950P01	1			
17	PLUG		4C0037R01	1			
18	GROMMET (B)		472436R01	1			
19	WATER SUPPLY PIPE (A)		472438R01	1			
20	ELBOW		470303-01	1			
21	WATER SUPPLY PIPE (B)		472439R01	1			
22	PUMP MOTOR (G)		384346G01	1			
23	COVER - PUMP MOTOR		371173R01	1			
24	WATER SUPPLY PIPE (E)		472558R01	1			
25	WATER SUPPLY PIPE (F)		255236R01	1			
26	SOCKET		472564P01	1			
27	DRAIN VALVE (G)		384344G01	1			
28	BRACKET(B) - WATER VALVE		475117M01	1			
29	DRAIN HOSE		486187R01	1			
30	SI HOSE		H11418030	1			
31	DRAIN PIPE (B)		472442P01	1			
32	FLOAT SWITCH		P00816-01	1			
33	INSULATION TUBE	7762-2030 L=510	H72030480	1			

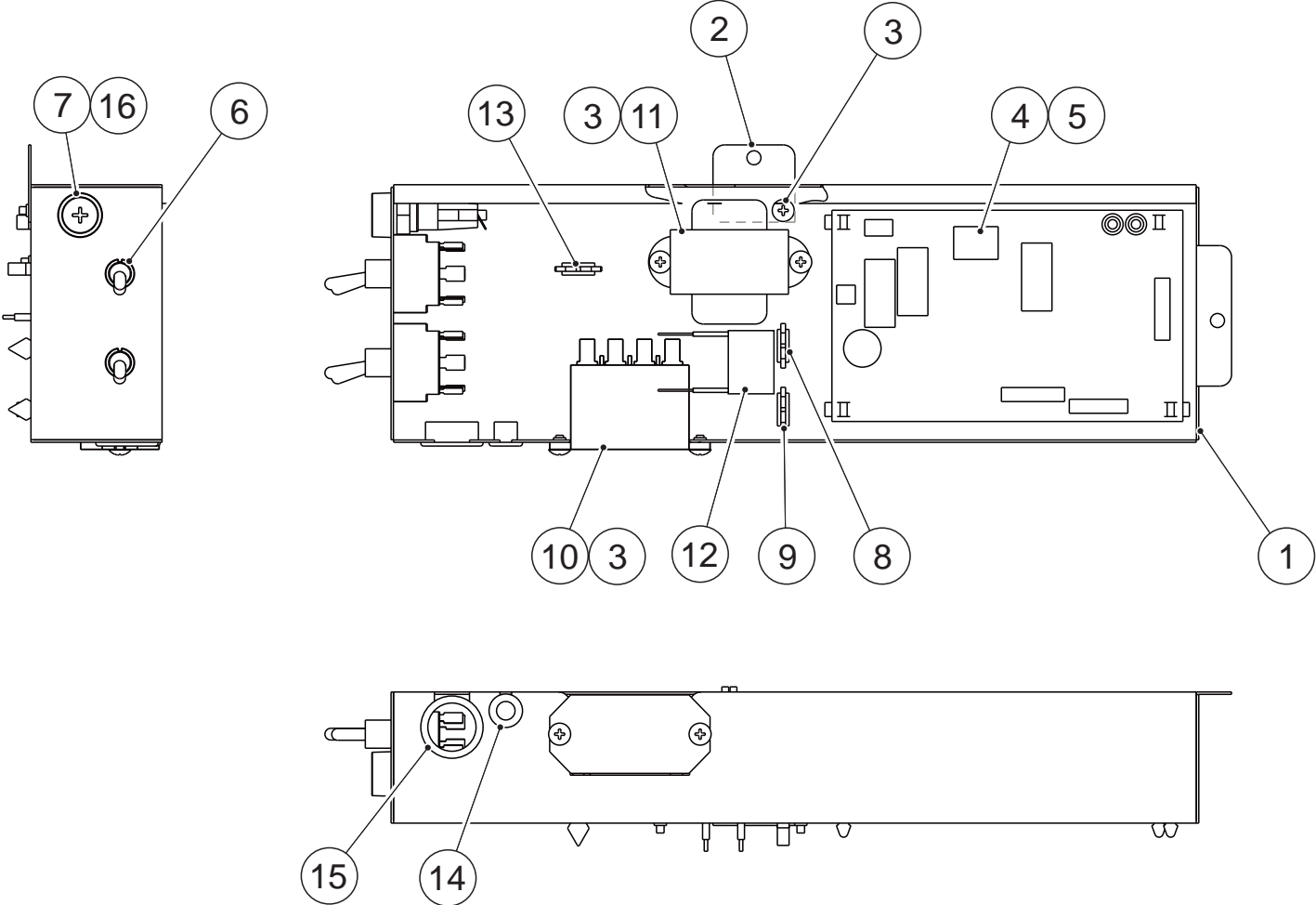




MODEL: **KM-300BWJ**

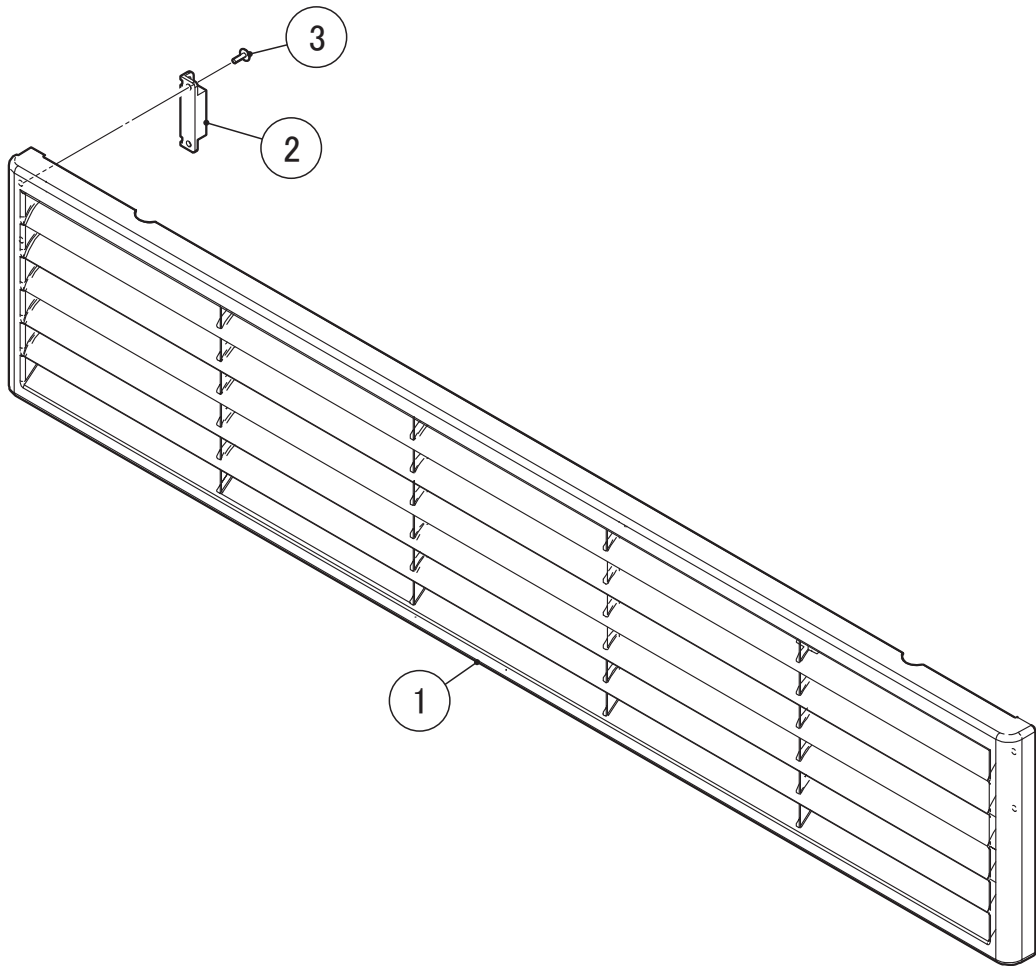
TITLE: **D. MECHANICAL BIN SWITCH - 30**

INDEX NO.	DESCRIPTION	MATERIAL OR MODEL NUMBER	PART NUMBER	REQ'D NUMBER			
				G-1 H-0	H-1		
1	BASE - ACTUATOR		118845P01	1	1		
2	REED SWITCH (G)		384899G01	1	1		
3	ACTUATOR - 30		371416G01	1	1		
4	GROMMET (E)		472446R01	1	1		
5	TRUSS HEAD TAPPING SCREW T2	SUS 3X8	FT20308M0	1	1		





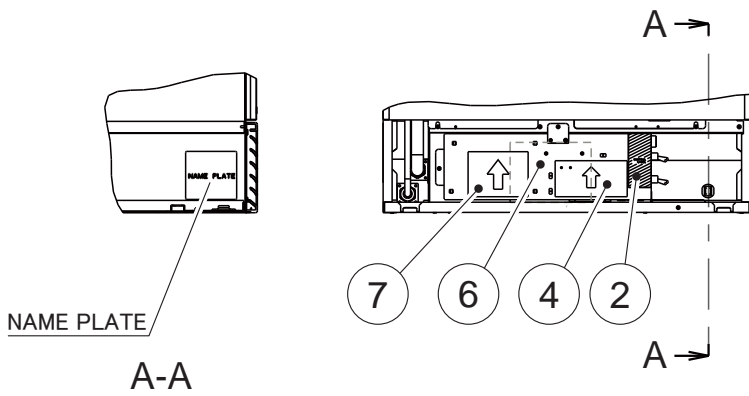
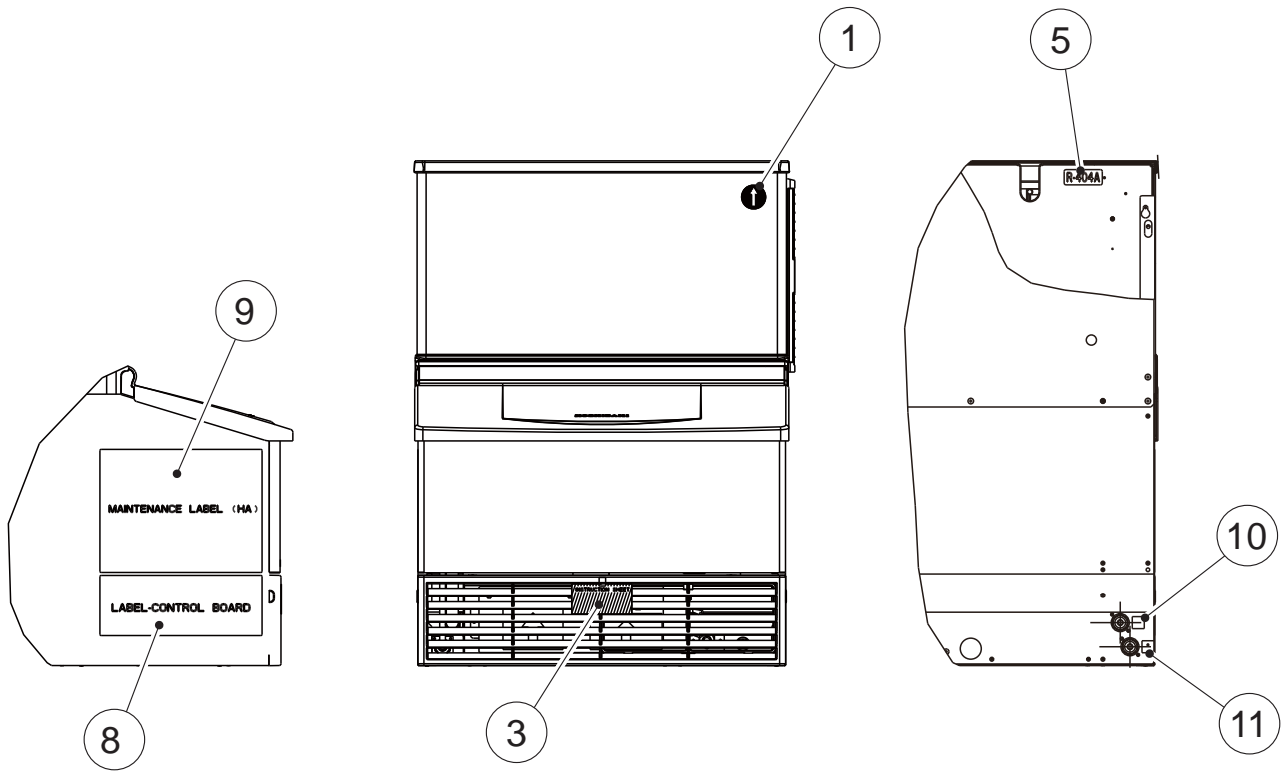




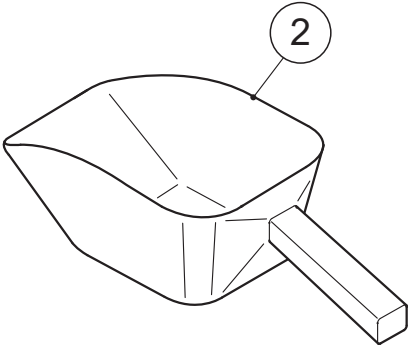
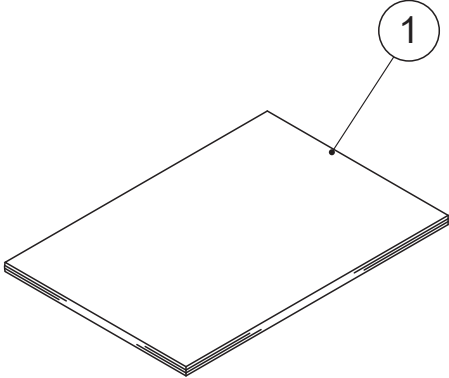
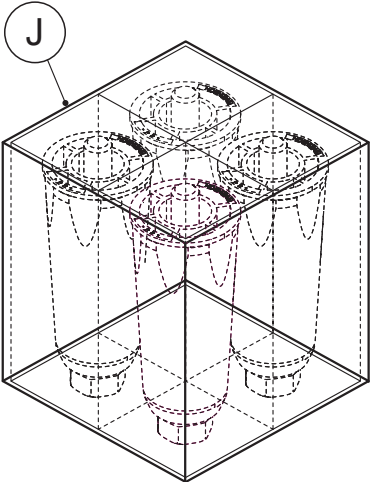
MODEL: **KM-300BWJ**

TITLE: **F. LOUVER ASSY - 30**

INDEX NO.	DESCRIPTION	MATERIAL OR MODEL NUMBER	PART NUMBER	REQ'D NUMBER			
				G-1 H-0	H-1		
1	LOUVER - 30		118899P01	1	1		
2	MAGNET CATCH	MC-110NF-GR	P01032-01	2	2		
3	TRUSS HEAD TAPPING SCREW T2	SUS 3x8	FT20308M0	4	4		



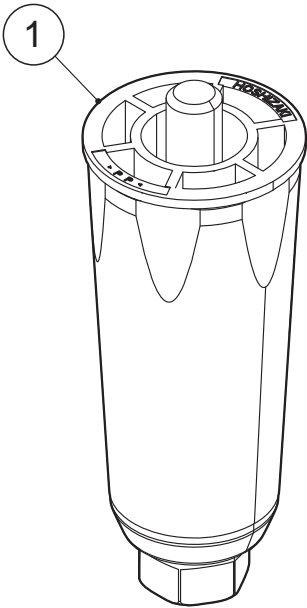




MODEL: **KM-300BWJ**

TITLE: **H. ACCESSORIES**

INDEX NO.	DESCRIPTION	MATERIAL OR MODEL NUMBER	PART NUMBER	REQ'D NUMBER			
				G-1			
J	LEG SET - UNC		472736A01	1			
1	SCOOP		1H4123P02	1			
2	INSTRUCTION MANUAL		L1F112101	1			





MODEL: **KM-300BWJ**

TITLE: **J. LEG SET - UNC**

INDEX NO.	DESCRIPTION	MATERIAL OR MODEL NUMBER	PART NUMBER	REQ'D NUMBER			
				G-1 H-0	H-1		
1	LEG-UNC		371053G01	1	1		