

# Hoshizaki America, Inc.

## Modular Crescent Cuber

Model  
KM-320MAH-E



“A Superior Degree  
of Reliability”

[www.hoshizaki.com](http://www.hoshizaki.com)

## PARTS LIST



Number: 71292  
Issued: 11-11-2008  
Revised: 3-3-2016

## CONTENTS

|  |    |
|--|----|
| Auxiliary Codes.....                           | 3  |
| Note About Ordering Parts .....                | 3  |
| A. Main Assembly & Refrigeration Circuit ..... | 4  |
| B. Water Circuit .....                         | 6  |
| C. Control Box Assembly .....                  | 8  |
| D. Accessories & Labels .....                  | 10 |

## Auxiliary Codes

### KM-320MAH-E

|     |               |
|-----|---------------|
| T-0 | April 2008    |
| U-1 | July 2009     |
| V-2 | May 2010      |
| A-0 | February 2011 |
| B-0 | February 2012 |
| C-2 | October 2013  |
| D-0 | March 2014    |
| D-1 | April 2014    |
| E-0 | April 2015    |

## Auxiliary Code Breakdown

The auxiliary code is the first two characters in the serial number. The first character indicates the year. Years progress or regress in alphabetical order. The series runs from "A" through "V" and the letters "I" and "O" are skipped. The second character indicates significant part changes within a year. Base is "0" and this number advances for each change. In cases where there is a letter in parentheses, this designates the month. This is the last character in the serial number. The series runs from "(A)" through "(M)" and the letter "(I)" is skipped. This designation is only included when identifying a parts change within an auxiliary code.

## Note About Ordering Parts

Most assemblies cannot be ordered as complete units; parts in the assemblies generally must be ordered separately.

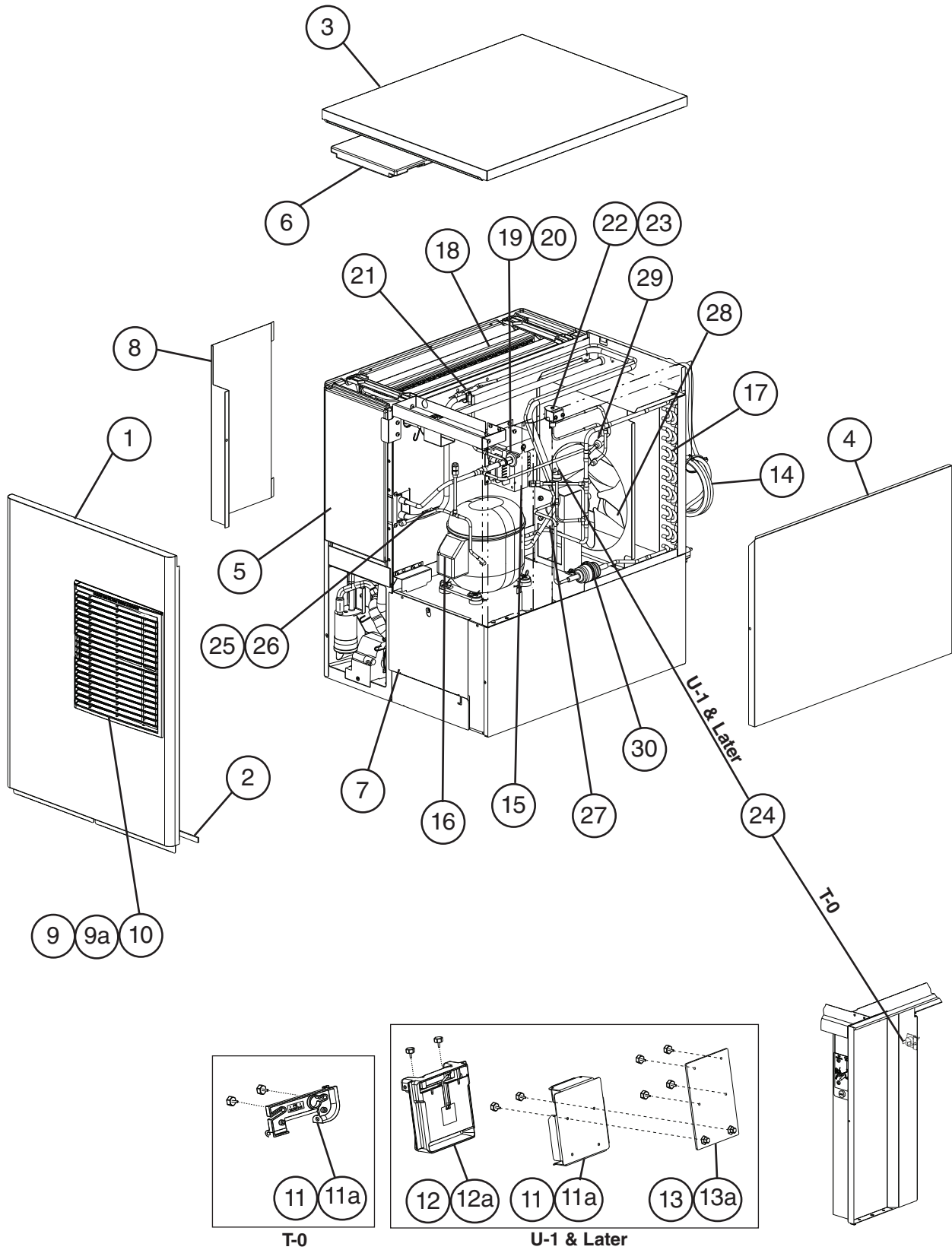
### **IMPORTANT**

IEC standards require that the clamping means of earthing terminals be adequately secured against accidental loosening and that accessible metal parts of the icemaker which may become live in the event of an insulation fault be permanently and reliably connected to an earthing terminal within the icemaker or to the earthing contact of the icemaker inlet. This is accomplished in this icemaker through the use of stainless steel lock washers.

# A. Main Assembly & Refrigeration Circuit

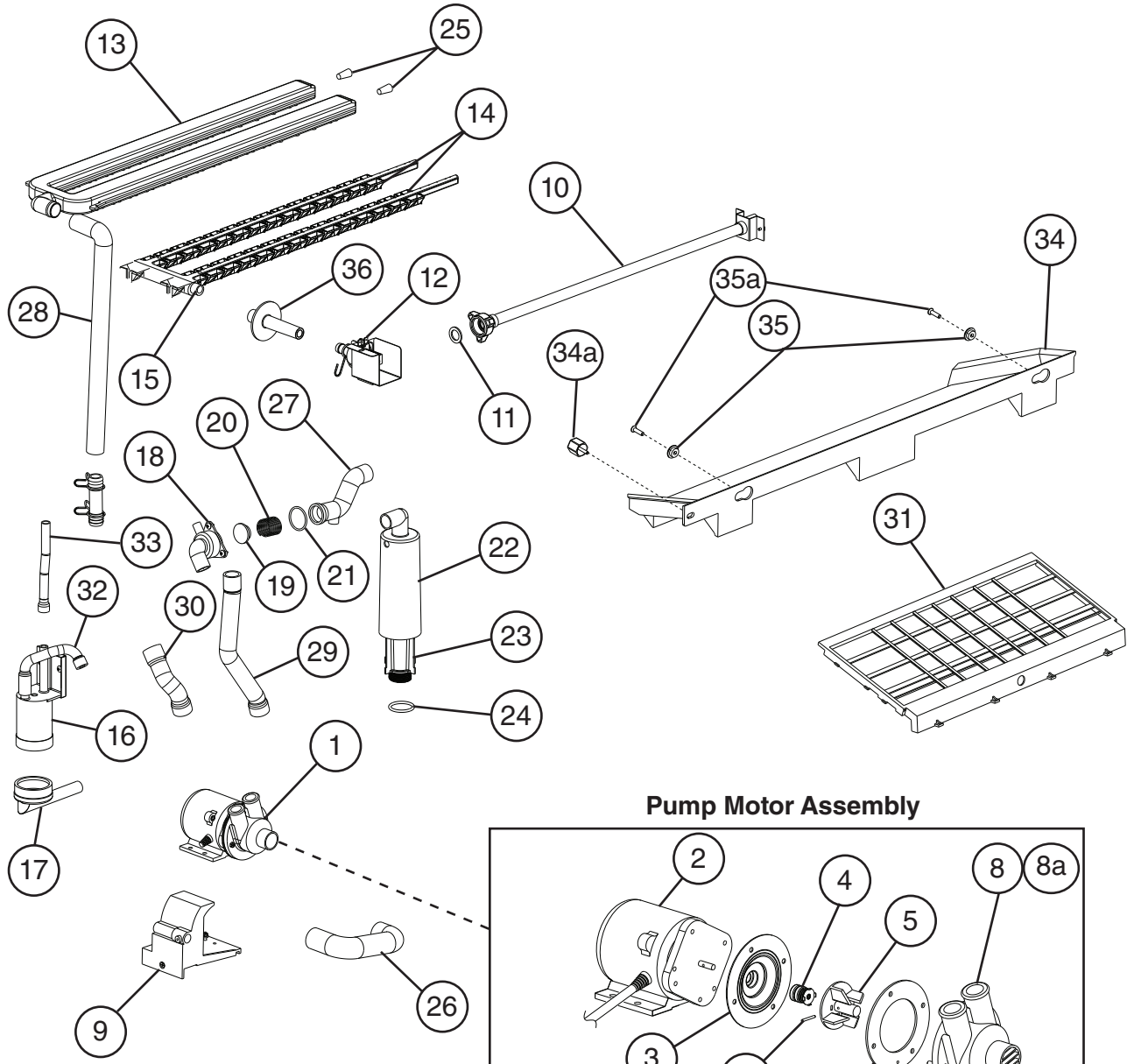
## KM-320MAH-E

T-0 to E-0



| Title: A. Main Assembly & Refrigeration Circuit Model: KM-320MAH-E |  |                          |             |                 |            |     |            |   |  |  |  |  |
|--|--|--------------------------|-------------|-----------------|------------|-----|------------|---|--|--|--|--|
| Index No.  | Description                              | Material or Model Number | Part Number | Required Number |            |     |            |   |  |  |  |  |
|  |  |                          |             | T-0             | U-1 to A-0 | B-0 | C-2 to E-0 |   |  |  |  |  |
| <b>Main Assembly</b>   |  |                          |             |                 |            |     |            |   |  |  |  |  |
| 1  | Front Panel                              |                          | 2A2141G01   | 1               | 1          | 1   | 1          |   |  |  |  |  |
| 2  | Gasket                                   | L=550                    | 4A0808L02   | 1               | 1          | 1   | 1          |   |  |  |  |  |
| 3  | Top Panel                                |                          | 3A1890A01   | 1               | 1          | 1   | 1          |   |  |  |  |  |
| 4  | Right Side Panel                         |                          | 2A2117G01   | 1               | 1          | 1   | 1          |   |  |  |  |  |
| 5  | Front Insulation                         |                          | 215731G01   | 1               | 1          | 1   | 1          |   |  |  |  |  |
| 6  | Top Insulation                           |                          | 215730G01   | 1               | 1          | 1   | 1          |   |  |  |  |  |
| 7  | Base Cover                               |                          | 321525G01   | 1               | 1          | 1   | 1          |   |  |  |  |  |
| 8  | Control Box Cover                        |                          | 3A2476-01   | 1               | 1          | 1   | 1          |   |  |  |  |  |
| 9  | Louver                                   |                          | 1A0547-01   | 1               | 1          | 1   | 1          |   |  |  |  |  |
| 9a   | Push Retainer                            |                          | 4A2414-01   | 3               | 3          | 3   | 3          |   |  |  |  |  |
| 10   | Air Filter                               |                          | 2A2062G01   | 1               | 1          | 1   | 1          |   |  |  |  |  |
| 11   | Bulb Holder                              |                          | 3A3903-01   | 1               | -          |     |            |   |  |  |  |  |
|  | Mechanical Bin Control Switch Mount      |                          | 3A4463-01   |                 | 1          | 1   | -          |   |  |  |  |  |
|  |  |                          | 3A6040-01   |                 |            |     |            | 1 |  |  |  |  |
| 11a  | Thumbscrew                               |                          | 415949G11   | 2               | -          |     |            |   |  |  |  |  |
|  |  |                          | 415949G10   |                 | 2          | 2   | 2          |   |  |  |  |  |
| 12   | Bin Control                              |                          | 2A4393G01   |                 | 1          | 1   | 1          |   |  |  |  |  |
| 12a  | Thumbscrew                               |                          | 415949G10   |                 | 2          | 2   | 2          |   |  |  |  |  |
| 13   | Mechanical Bin Control Extension Bracket |                          | 4A5046G01   |                 | 1          | 1   | 1          |   |  |  |  |  |
| 13a  | Thumbscrew                               |                          | 415949G10   |                 | 4          | 4   | 4          |   |  |  |  |  |
| 14   | Power Supply Cord                        |                          | 452359-02   | 1               | 1          | 1   | 1          |   |  |  |  |  |
| 15   | Main Transformer                         |                          | 4A5261-01   | 1               | 1          | 1   | 1          |   |  |  |  |  |
| <b>Refrigeration Circuit</b>                                       |  |                          |             |                 |            |     |            |   |  |  |  |  |
| 16   | Compressor                               |                          | 4A4426-01   | 1               | 1          | 1   | 1          |   |  |  |  |  |
| 17   | Condenser                                |                          | 2A3476-01   | 1               | 1          | 1   | 1          |   |  |  |  |  |
| 18   | Evaporator                               |                          | 2A3526G01   | 1               | 1          | 1   | 1          |   |  |  |  |  |
| 19   | Thermostatic Expansion Valve             |                          | 4A1414-01   | 1               | 1          | 1   | 1          |   |  |  |  |  |
| 20   | Thermostatic Expansion Valve Cover       |                          | 3A0944-01   | 1               | 1          | 1   | 1          |   |  |  |  |  |
| 21   | Thermostatic Expansion Valve Bulb Holder |                          | 3A0107-01   | 1               | 1          | 1   | 1          |   |  |  |  |  |
| 22   | Hot Gas Valve Body                       |                          | 3U0151-01   | 1               | 1          | 1   | 1          |   |  |  |  |  |
| 23   | Valve Coil                               |                          | 3U0151F01   | 1               | 1          | 1   | 1          |   |  |  |  |  |
| 24   | High-Pressure Switch                     |                          | 433441-07   | 1               | 1          | -   |            |   |  |  |  |  |
|  |  |                          | 463180-04   |                 |            |     | 1          |   |  |  |  |  |
| 25   | Thermistor                               |                          | 429006-03   | 1               | 1          | 1   | 1          |   |  |  |  |  |
| 26   | Thermistor Holder                        |                          | 427430-01   | 1               | 1          | 1   | 1          |   |  |  |  |  |
| 27   | Fan Motor                                |                          | 4A3158-01   | 1               | 1          | 1   | 1          |   |  |  |  |  |
| 28   | Fan Blade                                |                          | 444898-01   | 1               | 1          | 1   | 1          |   |  |  |  |  |
| 29   | Strainer                                 |                          | 441569-01   | 1               | 1          | 1   | 1          |   |  |  |  |  |
| 30   | Drier                                    |                          | 4A2666-01   | 1               | 1          | 1   | 1          |   |  |  |  |  |

**B. Water Circuit**  
**KM-320MAH-E**  
 T-0 to E-0

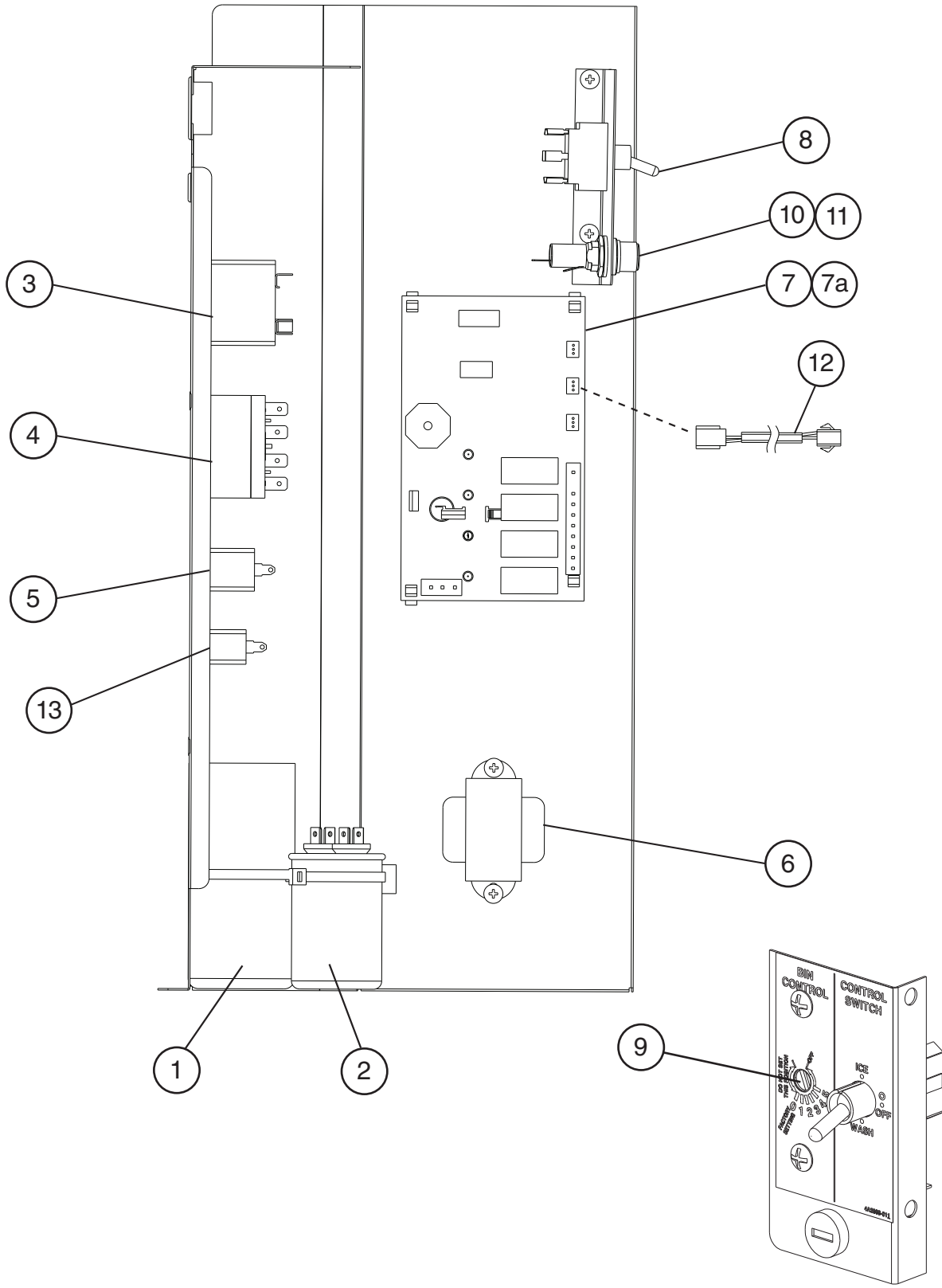


| Title: B. Water Circuit Model: KM-320MAH-E |   |                          |             |                 |            |  |  |  |  |  |  |  |
|--|---|--------------------------|-------------|-----------------|------------|--|--|--|--|--|--|--|
| Index No.                                  | Description                                       | Material or Model Number | Part Number | Required Number |            |  |  |  |  |  |  |  |
|  |   |                          |             | T-0 U-1         | V-2 to E-0 |  |  |  |  |  |  |  |
| 1  | Pump Motor Assembly (Includes Items 2 through 8a) |                          | 3A2638A02   |                 |            |  |  |  |  |  |  |  |
| 2  | Pump Motor  |                          | 2A2758-01   | 1               | 1          |  |  |  |  |  |  |  |
| 3  | Pump Flange                                       |                          | 3A2988-01   | 1               | 1          |  |  |  |  |  |  |  |
| 4  | Mechanical Seal                                   |                          | 465627-01   | 1               | 1          |  |  |  |  |  |  |  |
| 5  | Impeller  |                          | 417082-01   | 1               | 1          |  |  |  |  |  |  |  |
| 6  | Pin   |                          | 4A0648-01   | 1               | 1          |  |  |  |  |  |  |  |
| 7  | Pump Gasket                                       |                          | 4A2974-01   | 1               | 1          |  |  |  |  |  |  |  |
| 8  | Pump Housing                                      |                          | 211409-02   | 1               | 1          |  |  |  |  |  |  |  |
| 8a   | Screw   |                          | 4A3871-01   | 4               | 4          |  |  |  |  |  |  |  |
| 9  | Pump Motor Bracket                                |                          | 211408-01   | 1               | 1          |  |  |  |  |  |  |  |
| 10   | Water Supply Pipe                                 |                          | 4A0768G04   | 1               | -          |  |  |  |  |  |  |  |
|  |   |                          | 4A5216G04   |                 | 1          |  |  |  |  |  |  |  |
| 11   | Rubber Gasket                                     |                          | 413854-03   | 1               | 1          |  |  |  |  |  |  |  |
| 12   | Inlet Water Valve                                 |                          | 4A1176-05   | 1               | -          |  |  |  |  |  |  |  |
|  |   |                          | 4A5251-05   |                 | 1          |  |  |  |  |  |  |  |
| 13   | Spray Tube  |                          | 1A0260-02   | 1               | 1          |  |  |  |  |  |  |  |
| 14   | Spray Guide                                       |                          | 208586-01   | 6               | 6          |  |  |  |  |  |  |  |
| 15   | Water Supply Tube                                 |                          | 2A0079-01   | 1               | 1          |  |  |  |  |  |  |  |
| 16   | Float Switch                                      |                          | 4A3624-01   | 1               | 1          |  |  |  |  |  |  |  |
| 17   | Float Switch Connector                            |                          | 426799-01   | 1               | 1          |  |  |  |  |  |  |  |
| 18   | Drain Valve Housing                               |                          | 321001-01   | 1               | 1          |  |  |  |  |  |  |  |
| 19   | Drain Valve Seat                                  |                          | 433705-01   | 1               | 1          |  |  |  |  |  |  |  |
| 20   | Drain Valve Spring                                |                          | 3A0875-01   | 1               | 1          |  |  |  |  |  |  |  |
| 21   | Drain Valve O-Ring                                |                          | 7611-G035   | 1               | 1          |  |  |  |  |  |  |  |
| 22   | Overflow Cap                                      |                          | 321002-01   | 1               | 1          |  |  |  |  |  |  |  |
| 23   | Overflow Pipe                                     |                          | 430722-08   | 1               | 1          |  |  |  |  |  |  |  |
| 24   | Overflow Pipe O-Ring                              |                          | 4A1234-01   | 1               | 1          |  |  |  |  |  |  |  |
| 25   | Spray Tube Plug                                   |                          | 4A0176-01   | 2               | 2          |  |  |  |  |  |  |  |
| 26   | Suction Hose                                      |                          | 433466-01   | 1               | 1          |  |  |  |  |  |  |  |
| 27   | Drain Hose  |                          | 433468-01   | 1               | 1          |  |  |  |  |  |  |  |
| 28   | Rubber Hose                                       | L=353                    | 4A1551-03   | 1               | 1          |  |  |  |  |  |  |  |
| 29   | Vinyl Hose  | L=250                    | 7716-2025   | 1               | 1          |  |  |  |  |  |  |  |
| 30   | Vinyl Hose  | L=110                    | 7716-2025   | 1               | 1          |  |  |  |  |  |  |  |
| 31   | Cube Guide  |                          | 212088-01   | 1               | 1          |  |  |  |  |  |  |  |
| 32   | Silicone Hose                                     | L=140                    | 7730I3812   | 1               | 1          |  |  |  |  |  |  |  |
| 33   | Silicone Hose                                     | L=140                    | 7730I3896   | 1               | 1          |  |  |  |  |  |  |  |
| 34   | Deflector A                                       |                          | 3A3500-01   | 1               | 1          |  |  |  |  |  |  |  |
| 34a  | Thumbscrew  |                          | 415949G12   | 1               | 1          |  |  |  |  |  |  |  |
| 35   | Collar  |                          | 435269-01   | 2               | 2          |  |  |  |  |  |  |  |
| 35a  | Flat Head T2 Screw                                | 4x16                     | 7P22-0416   | 2               | 2          |  |  |  |  |  |  |  |
| 36   | Connector Pipe                                    |                          | 4A1142-01   |                 | 1          |  |  |  |  |  |  |  |
|  | Hose Clamp  | 16.5 mm                  | 427443-04   | 1               | 1          |  |  |  |  |  |  |  |
|  | Hose Clamp  | 18 mm                    | 427443-05   | 1               | 1          |  |  |  |  |  |  |  |
|  | Hose Clamp  | 23 mm                    | 427443-10   | 2               | 2          |  |  |  |  |  |  |  |
|  | Hose Clamp  | 25 mm                    | 427443-03   | 4               | 4          |  |  |  |  |  |  |  |

# C. Control Box Assembly

## KM-320MAH-E

T-0 to E-0

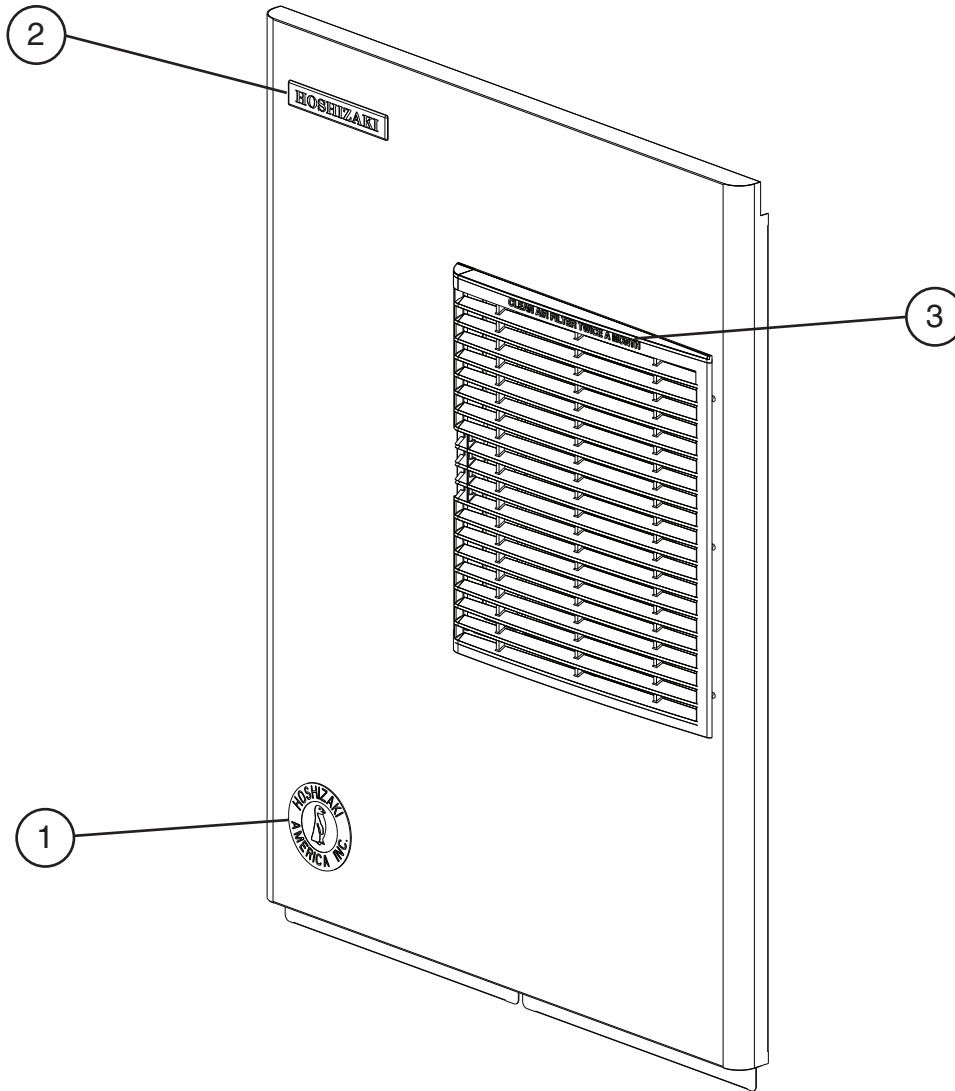


T-0



| Title: C. Control Box Assembly Model: KM-320MAH-E |                                     |                          |             |                 |     |     |            |  |  |  |  |  |
|---|-------------------------------------|--------------------------|-------------|-----------------|-----|-----|------------|--|--|--|--|--|
| Index No.   | Description                         | Material or Model Number | Part Number | Required Number |     |     |            |  |  |  |  |  |
|   |                                     |                          |             | T-0             | U-1 | V-2 | B-0 to E-0 |  |  |  |  |  |
| 1   | Start Capacitor                     | 53-64MFD, 330VAC         | 3A4705-01   | 1               | 1   | 1   | 1          |  |  |  |  |  |
| 2   | Run Capacitor                       | 15MFD, 440VAC            | 3A2005-11   | 1               | 1   | 1   | 1          |  |  |  |  |  |
| 3   | Start Relay                         |                          | 4A1107-15   | 1               | 1   | 1   | 1          |  |  |  |  |  |
| 4   | Magnetic Contactor                  |                          | 428393-01   | 1               | 1   | -   |            |  |  |  |  |  |
|   | Compressor Relay                    |                          | 4A3140-01   |                 |     | 1   | 1          |  |  |  |  |  |
| 5   | Pump Motor Capacitor                | 5.5MFD, 250VAC           | 4A2128-03   | 1               | 1   | 1   | 1          |  |  |  |  |  |
| 6   | Control Transformer                 |                          | 3A0172-01   | 1               | 1   | 1   | 1          |  |  |  |  |  |
| 7   | Control Board                       | "E" Board                | 2A1410-01   | 1               | -   |     |            |  |  |  |  |  |
|   |                                     | "G" Board                | 2A3792-01   |                 | 1   | 1   | 1          |  |  |  |  |  |
| 7a  | Control Board Support               |                          | 4A0336-03   | 4               | 4   | 4   | 4          |  |  |  |  |  |
| 8   | Control Switch                      |                          | 4A2436-01   | 1               | 1   | 1   | 1          |  |  |  |  |  |
| 9   | Bin Control Thermostat              |                          | 4A2879-01   | 1               | -   |     |            |  |  |  |  |  |
| 10  | Fuse Holder                         |                          | 4A0892-01   | 1               | -   |     |            |  |  |  |  |  |
|   |                                     |                          | 4A3449-01   |                 | 1   | 1   | -          |  |  |  |  |  |
|   |                                     |                          | 4A5443-01   |                 |     |     | 1          |  |  |  |  |  |
| 11  | Fuse                                | AGC-10A, 250VAC          | 4A0893-07   | 1               | 1   | 1   | 1          |  |  |  |  |  |
| 12  | Mechanical Bin Control Wire Harness |                          | 4A2200G04   |                 | 1   | 1   | 1          |  |  |  |  |  |
| 13  | Fan Motor Capacitor                 | 2.5MFD, 250VAC           | 4A2128-05   | 1               | 1   | 1   | 1          |  |  |  |  |  |

**D. Accessories & Labels**  
**KM-320MAH-E**  
 T-0 to E-0



| Title: D. Accessories & Labels |                    | Model: KM-320MAH-E       |             | Required Number |                |  |  |  |  |  |  |
|--------------------------------|--------------------|--------------------------|-------------|-----------------|----------------|--|--|--|--|--|--|
| Index No.                      | Description        | Material or Model Number | Part Number | T-0 to D-1 (H)  | D-1 (J) to E-0 |  |  |  |  |  |  |
| 1                              | Penguin Label-HA-R |                          | 4A0526-01   | 1               | 1              |  |  |  |  |  |  |
| 2                              | Hoshizaki Emblem   |                          | 4A0560-01   | 1               | 1              |  |  |  |  |  |  |
| 3                              | Air Filter Label   |                          | 426177-01   | 1               | -              |  |  |  |  |  |  |
| 4                              | Universal Brace    |                          | 4A0363-01   | 2               | 2              |  |  |  |  |  |  |
| 4a                             | Hex Head Bolt      | 5×12, SS                 | 7B02-0512   | 4               | 4              |  |  |  |  |  |  |