



HOSHIZAKI

Parts List

Modular Crescent Cuber

Models

KM-340MAJ, MWJ



hoshizakiamerica.com

Number: 71389
Issued: 10-23-2017
Revised: 6-12-2018

CONTENTS

Auxiliary Codes..... 3
Note About Ordering Parts 3
A. Main Assembly and Refrigeration Circuit..... 4
 KM-340MAJ 4
 KM-340MWJ 6
B. Water Circuit 8
C. Control Box Assembly 11
D. Accessories & Labels 12

Auxiliary Codes

KM-340MAJ

G-0 July 2017
G-1 October 2017
H-0 January 2018
H-1 March 2018

KM-340MWJ

G-0 July 2017
G-1 October 2017
H-0 January 2018
H-1 March 2018

Auxiliary Code Breakdown

The auxiliary code is the first two characters in the serial number. The first character indicates the year. Years progress or regress in alphabetical order. The series runs from "A" through "V" and the letters "I" and "O" are skipped. The second character indicates significant part changes within a year. Base is "0" and this number advances for each change. In cases where there is a letter in parentheses, this designates the month. This is the last character in the serial number. The series runs from "(A)" through "(M)" and the letter "(I)" is skipped. This designation is only included when identifying a parts change within an auxiliary code.

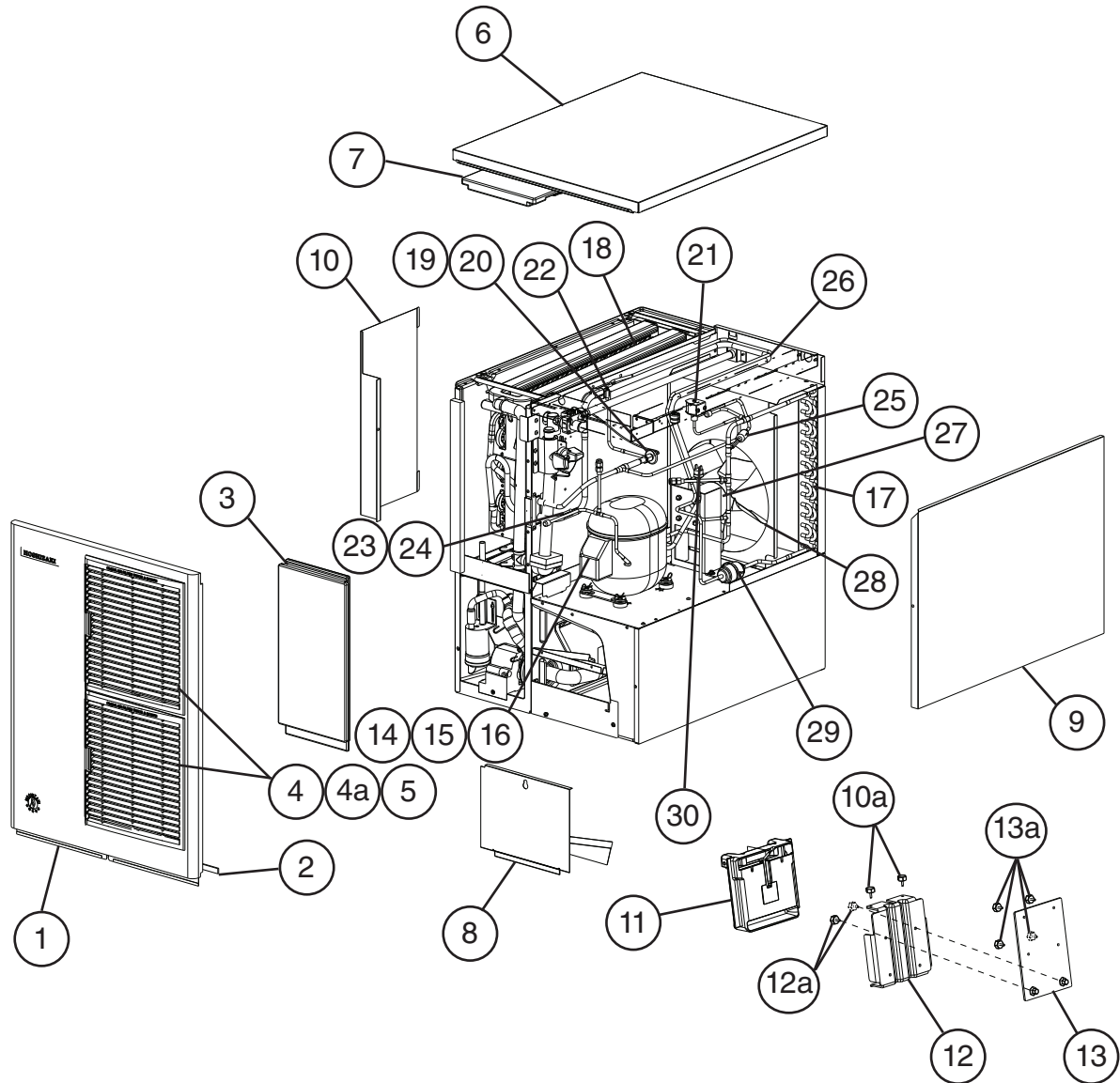
Note About Ordering Parts

Most assemblies cannot be ordered as complete units; parts in the assemblies generally must be ordered separately.

A. Main Assembly and Refrigeration Circuit

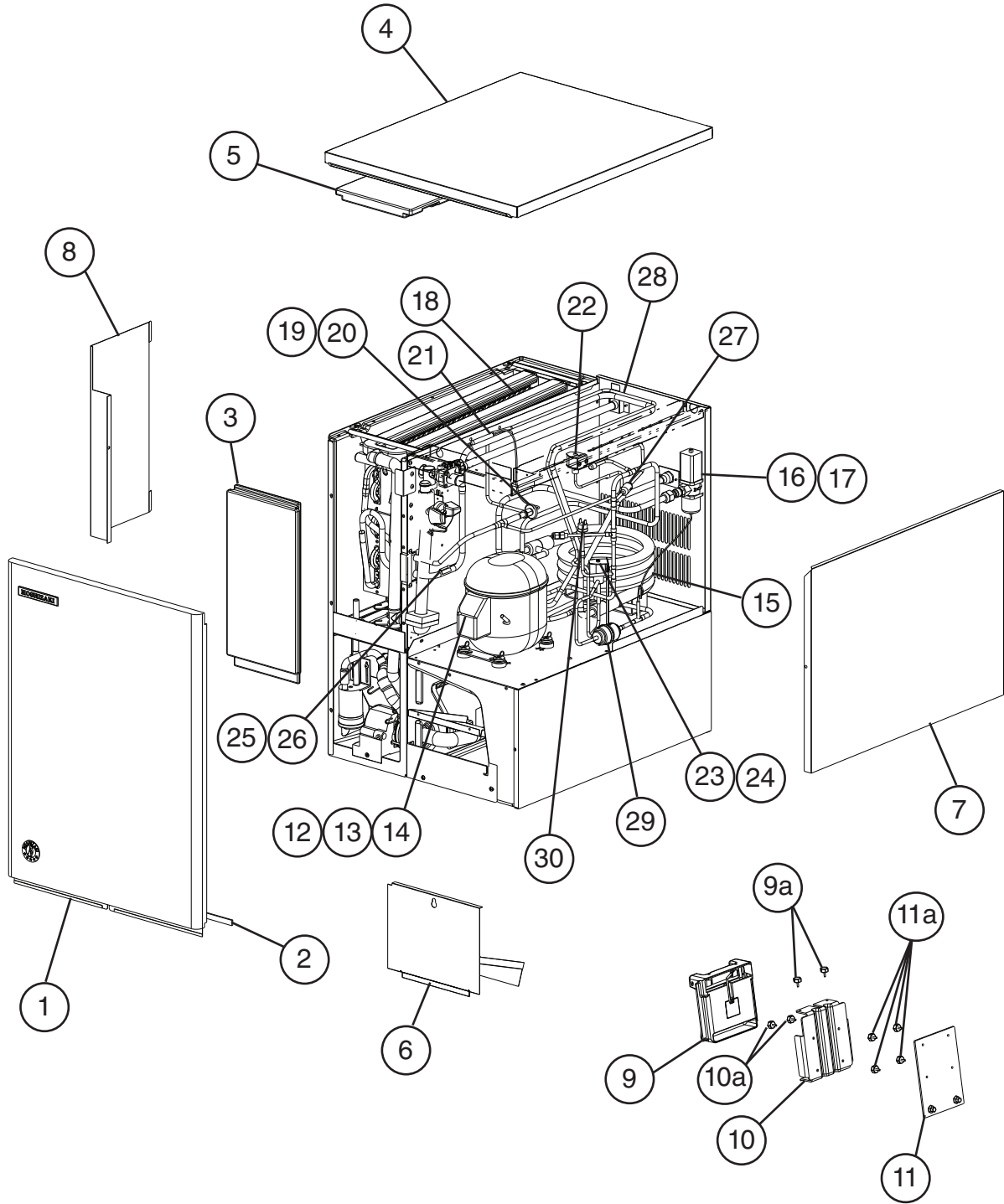
KM-340MAJ

G-0 to H-1



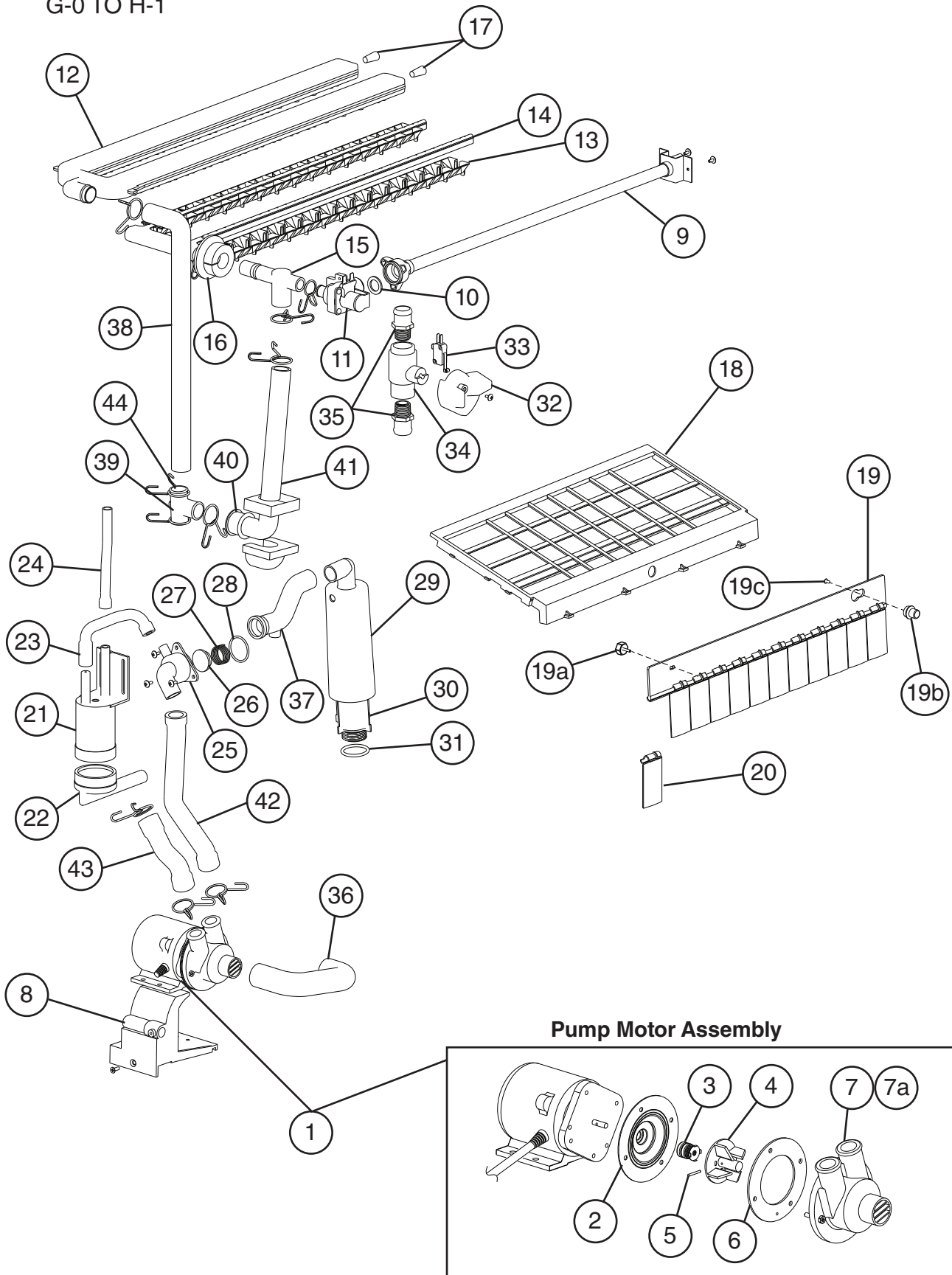
Title: A. Main Assembly and Refrigeration Circuit Model: KM-340MAJ												
Index No.	Description	Material or Model Number	Part Number	G-0 to H-1	Required Number							
Main Assembly												
1	Front Panel		2A3767G01	1								
2	Gasket		4A0808L02	1								
3	Front Insulation		215731G01	1								
4	Louver		1A0547-01	2								
4a	Push Retainer		4A2414-01	6								
5	Air Filter		2A2062G01	2								
6	Top Panel		3A1890A01	1								
7	Top Insulation		215730G01	1								
8	Base Cover		321525G01	1								
9	Right Side Panel		2A2117G01	1								
10	Control Box Cover		3A2476-01	1								
11	Mechanical Bin Control		2A4393G02	1								
11a	Thumbscrew		415949G10	2								
12	Mechanical Bin Control Switch Mount		3A6040-01	1								
12a	Thumbscrew		415949G10	2								
13	Mechanical Bin Control Extension Bracket		4A5046G01	1								
13a	Thumbscrew		415494G10	4								
Refrigeration Circuit												
14	Compressor		4A6090-01	1								
15	External Protector		4A2499-01	1								
16	Wire Kit		4A2990-01	1								
17	Condenser		2A3476-01	1								
18	Evaporator		1A4051G01	1								
19	Thermostatic Expansion Valve		4A4008-01	1								
20	Thermostatic Expansion Valve Cover		3A0944-01	1								
21	Hot Gas Valve Coil		3U0151-01	1								
22	Thermostatic Expansion Valve Bulb Holder		3A0107-01	1								
23	Thermistor		429006-03	1								
24	Thermistor Holder		427430-01	1								
25	Strainer		441569-01	1								
26	Heat Exchanger		2A3428G01	1								
27	Fan Motor		4A3158-01	1								
28	Fan Blade		4A3959-01	1								
29	Drier		4A1113-01	1								
30	High-Pressure Switch		463180-04	1								

A. Main Assembly and Refrigeration Circuit
KM-340MWJ
G-0 to H-1



Title: A. Main Assembly and Refrigeration Circuit Model: KM-340MWJ												
Index No.	Description	Material or Model Number	Part Number	G-0 to H-1	Required Number							
Main Assembly												
1	Front Panel		2A2150G01	1								
2	Gasket		4A0808L02	1								
3	Front Insulation		215731G01	1								
4	Top Panel		3A1890A01	1								
5	Top Insulation		215730G01	1								
6	Base Cover		321525G01	1								
7	Right Side Panel		2A2117G01	1								
8	Control Box Cover		3A2476-01	1								
9	Mechanical Bin Control		2A4393G02	1								
9a	Thumbscrew		415949G10	2								
10	Mechanical Bin Control Switch Mount		3A6040-01	1								
10a	Thumbscrew		415949G10	2								
11	Mechanical Bin Control Extension Bracket		4A5046G01	1								
11a	Thumbscrew		415949G10	4								
Refrigeration Circuit												
12	Compressor		4A6090-01	1								
13	External Protector		4A2499-01	1								
14	Wire Kit		4A2990-01	1								
15	Condenser		3A7321-01	1								
16	Water Regulator		4A0911-06	1								
17	Male Connector		4A1087-01	1								
18	Evaporator		1A4051G01	1								
19	Thermostatic Expansion Valve		4A4008-01	1								
20	Thermostatic Expansion Valve Cover		3A0944-01	1								
21	Thermostatic Expansion Valve Bulb Holder		3A0107-01	1								
22	Hot Gas Valve Coil		3U0151-01	1								
23	Liquid Line Valve Body		4A3276-01	1								
24	Valve Coil		4A3277-01	1								
25	Thermistor		429006-03	1								
26	Thermistor Holder		427430-01	1								
27	Strainer		441569-01	1								
28	Heat Exchanger		2A3428G01	1								
29	Drier		4A1113-01	1								
30	High-Pressure Switch		463180-05	1								

B. Water Circuit
KM-340MAJ, KM-340MWJ
 G-0 TO H-1

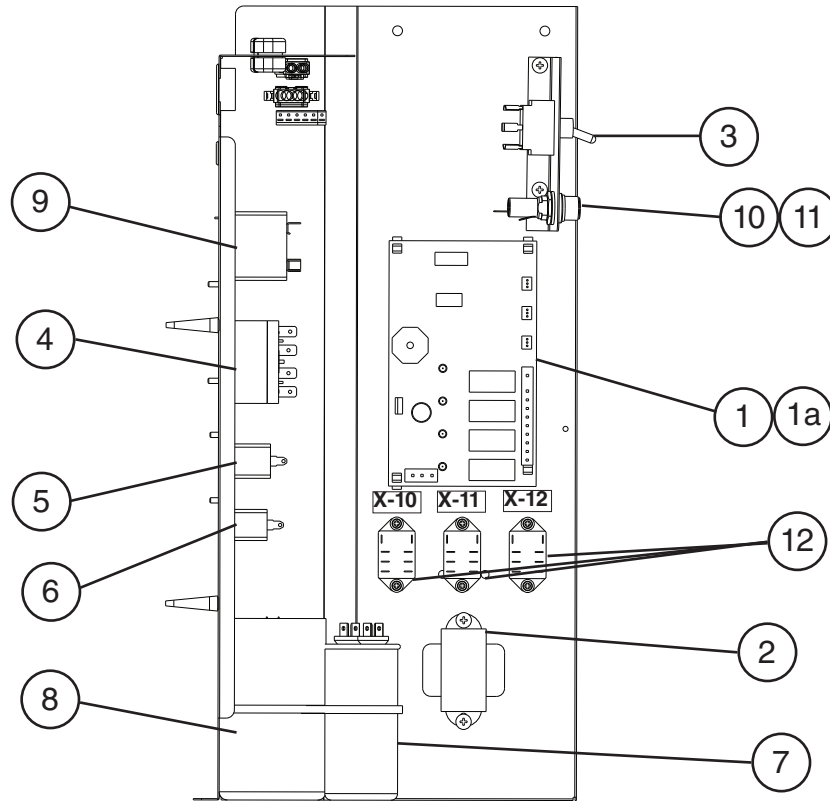


Title: B. Water Circuit Model: KM-340M_J

Index No.	Description	Material or Model Number	Part Number	G-0 to H-1	Required Number															
1	Pump Motor Assembly (includes pump motor and items 2 through 7a)	PA0613	3A2638A03	1																
2	Pump Flange		3A2988-01	1																
3	Mechanical Seal		465627-01	1																
4	Impeller		433522-01	1																
5	Pin		4A0648-01	1																
6	Pump Gasket		4A2974-01	1																
7	Pump Housing		211409-01	1																
7a	Screw	4x20	4A3871-01	4																
8	Pump Motor Bracket		211408-01	1																
9	Water Supply Pipe		4A5216G04	1																
10	Rubber Gasket		413854-03	1																
11	Inlet Water Valve		3U0111-04	1																
12	Spray Tube		1A0260-02	1																
13	Spray Guide		2A4282-02	2																
14	Water Supply Tube		2A0079-01	1																
15	Distributor (Tee)		4A0177-01	1																
16	Flange		439267-01	1																
17	Spray Tube Plug		4A0176-01	2																
18	Cube Guide		212088-01	1																
19	Splash Curtain		3A9602-01	1																
19a	Thumbscrew		415949G10	1																
19b	Collar		435269-01	1																
19c	Screw	4x12	7C22-0412	1																
20	Separator		4X7933-01	12																
21	Float Switch		4A3624-01	1																
22	Float Switch Connector		426799-01	1																
23	Silicone Hose	L=140 mm	773013896	1																
24	Silicone Hose (vent)	L=140 mm	773013812	1																
25	Drain Valve Housing		321001-01	1																
26	Drain Valve Seat		433705-01	1																
27	Drain Valve Spring		322110-01	1																
28	Drain Valve O-Ring		7611-G035	1																
29	Overflow Cap		321002-01	1																
30	Overflow Pipe		430722-11	1																
31	Overflow Pipe O-Ring		4A1234-01	1																
32	Cleaning Valve Handle		215383-01	1																
33	Cleaning Valve Microswitch		4A2546-01	1																
34	Cleaning Valve Ball Valve		439293-01	1																
35	Cleaning Valve Male Adaptor		325826-01	2																
36	Suction Hose		433466-01	1																
37	Drain Hose		433468-01	1																
38	Rubber Hose C		4A1551-03	1																
39	Distributor (Tee)		432426-01	1																
40	Rubber Ring		439236-01	1																
41	Rubber Hose D		4A1551-04	1																
42	Vinyl Hose	L=250 mm	7716-2025	1																

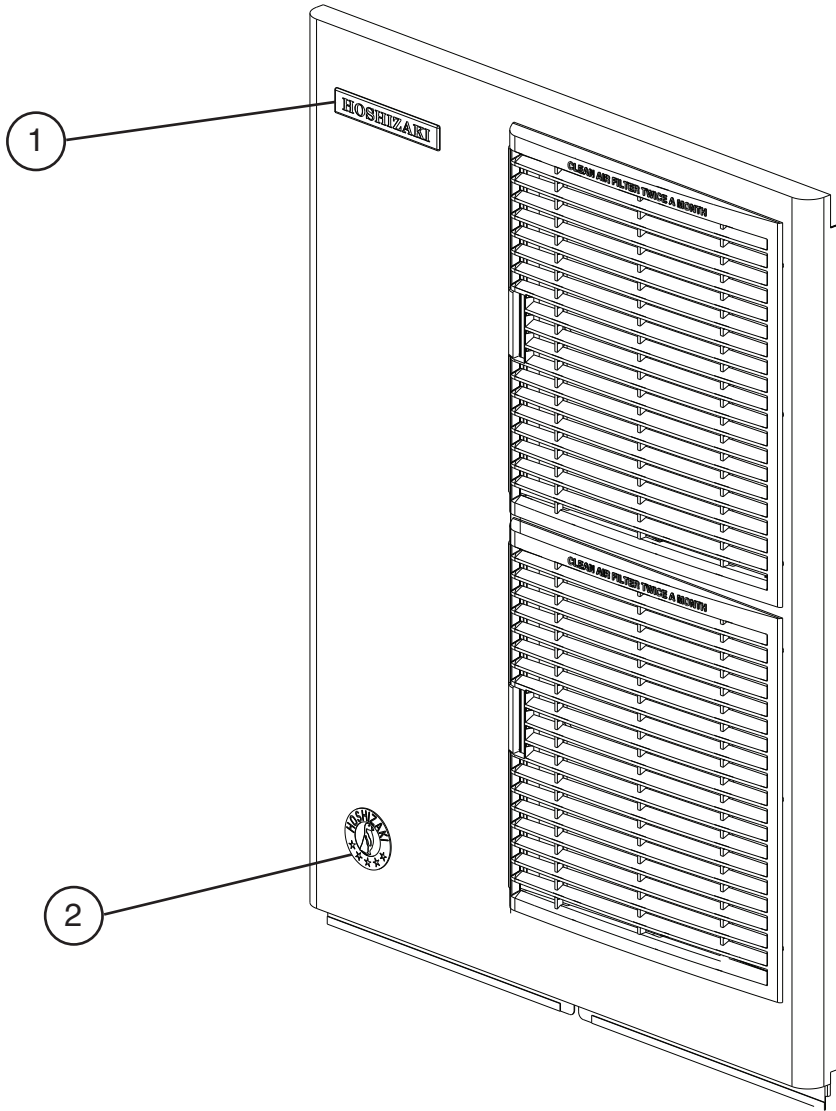
Title: B. Water Circuit Model: KM-340M_J												
Index No.	Description	Material or Model Number	Part Number	G-0 to H-1	Required Number							
43	Vinyl Hose (drain)	L=110 mm	7716-2025	1								
44	Reducing Pipe		4A5767-01	1								
Hose Clamps												
	Hose Clamp	25 mm	427443-03	8								
	Hose Clamp	26 - 30 mm	4A2017-02	1								
	Hose Clamp	17 - 21.5 mm	4A2017-05	1								

C. Control Box Assembly
KM-340MAJ, KM-340MWJ
 G-0 to H-1



Title: C. Control Box Assembly Model: KM-340MAJ KM-340MWJ					Required Number								
Index No.	Description	Material or Model Number	Part Number	G-0 to H-1									
1	Control Board		2A7664-02	1									
1a	Control Board Support		4A0336-03	4									
2	Control Transformer		3A0172-01	1									
3	Control Switch		443119-01	1									
4	Compressor Relay		4A3140-01	1									
5	Pump Motor Capacitor (included with Pump Motor Assembly PA0613)	5.5MFD, 250VAC	443192-03	1									
6	Fan Motor Capacitor	KM-340MAJ 5.0MFD, 250VAC	443192-02	1									
7	Run Capacitor	25MFD, 440VAC	3A2005-10	1									
8	Start Capacitor	243-292MFD, 250VAC	3A0076-21	1									
9	Start Relay		4A1107-23	1									
10	Fuse Holder		4A5443-01	1									
11	Fuse	AGC-10A, 250VAC	4A0893-07	1									
12	Relay (X10 - Pump Direction Relay X11 - X10 Control Relay X12 - Slush Control Relay)		406132-07	3									

D. Accessories & Labels
KM-340MAJ, KM-340MWJ
 G-0 to H-1



Title: D. Accessories & Labels Model: KM-340MAJ, KM-340MWJ					Required Number							
Index No.	Description	Material or Model Number	Part Number	G-0 to H-1								
					1	Hoshizaki Emblem		4A0560-01	1			
2	Penguin Label		475552L02	1								
3	Universal Brace		4A0363-01	2								
3a	Hex Head Bolt	5x12	7B02-0512	2								