

# Hoshizaki America, Inc.

Crescent Cuber

Model  
KM-61BAH



"A Superior Degree  
of Reliability"

[www.hoshizaki.com](http://www.hoshizaki.com)

PARTS LIST



Number: M006-3038  
Issued: 7-16-2007  
Revised: 12-2-2019

## Auxiliary Codes

<b>KM-61BAH</b>	S-1	July 2007
	S-2	September 2007
	S-3	October 2007
	T-0	January 2008
	T-1	May 2008
	U-0	January 2009
	U-1	February 2009
	V-0	January 2010
	V-1	June 2010
	A-0	January 2011
	B-0	January 2012
	C-0	January 2013
	D-0	January 2014
	E-0	January 2015
	E-1	September 2015

## Auxiliary Code Breakdown

The auxiliary code is the first two characters in the serial number. The first character indicates the year. Years progress or regress in alphabetical order. The series runs from "A" through "V" and the letters "I" and "O" are skipped. The second character indicates significant part changes within a year. Base is "0" and this number advances for each change. In cases where there is a letter in parentheses, this designates the month. This is the last character in the serial number. The series runs from "(A)" through "(M)" and the letter "(I)" is skipped. This designation is only included when identifying a parts change within an auxiliary code.

## Note About Ordering Parts

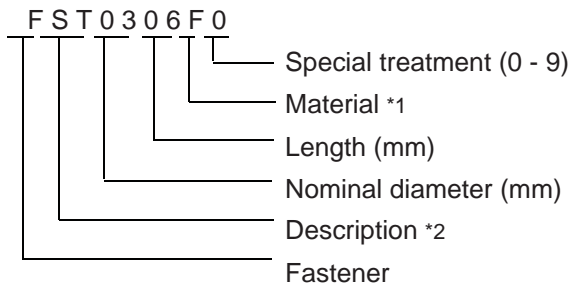
Most assemblies cannot be ordered as complete units; parts in the assemblies generally must be ordered separately.

## MARKS LOCATED UNDER THE AUXILIARY CODE

- = Part deleted.

## FASTENER PART NUMBER

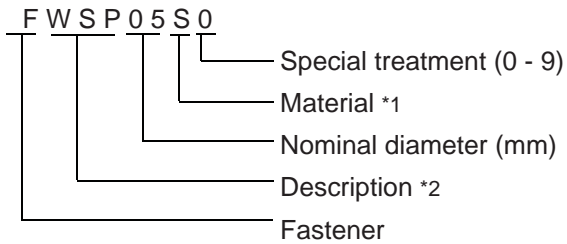
### SCREWS



\*1

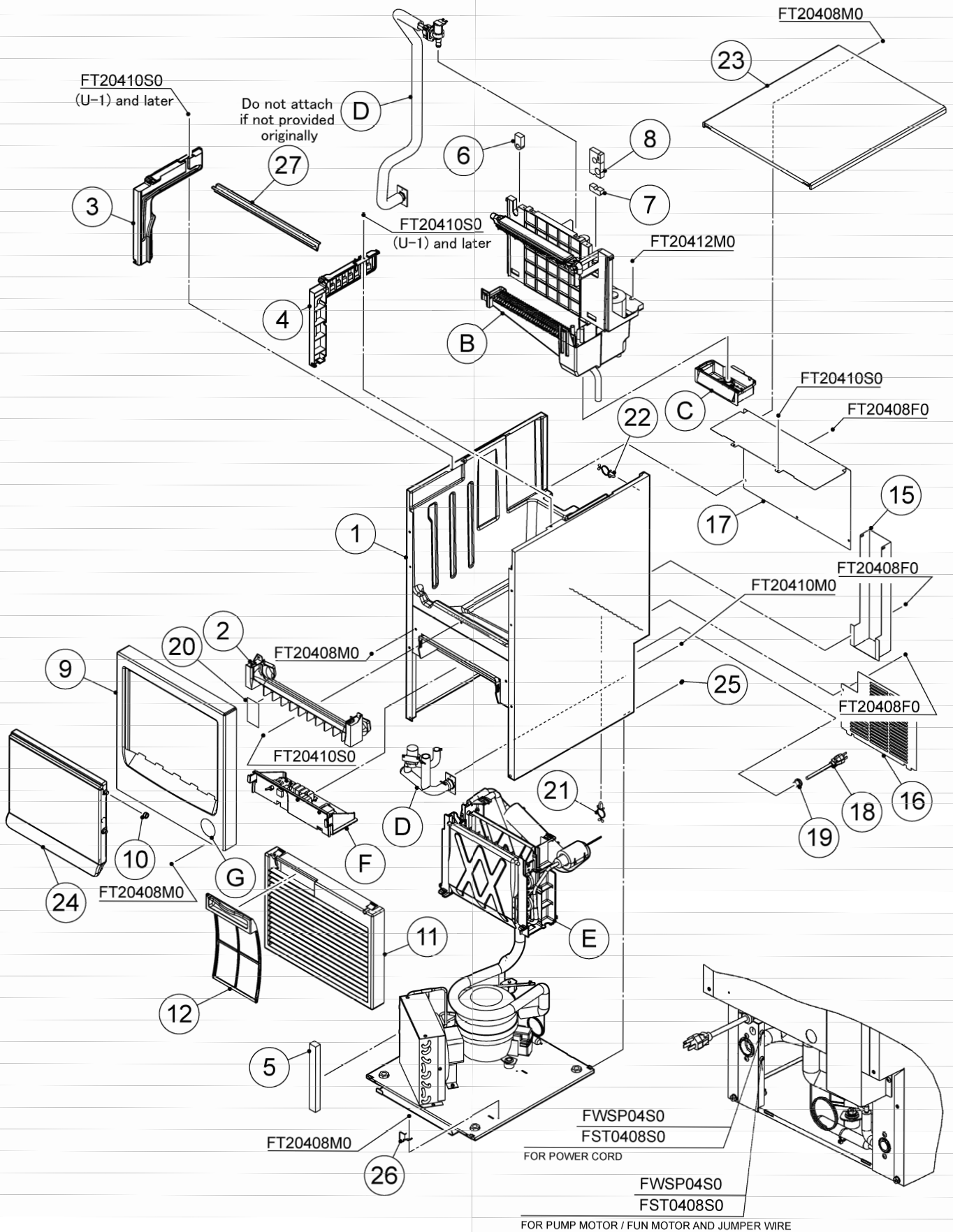
F: Steel  
S: Austenitic stainless steel  
M: Martensitic stainless steel  
B: Copper alloy  
P: Polycarbonate  
N: Polyamide  
V: PVC  
A: ABS  
X: Polyacetal  
L: Aluminum

### NUTS & WASHERS



\*2

First letter  
S: Machine screw  
T: Tapping screw  
M: Wood screw  
B: Bolt  
W: Washer  
N: Nut



HA

MODEL: KM-61BAH		TITLE: A. ICE CUBER ASSY						
INDEX NO.	DESCRIPTION	MATERIAL OR MODEL NUMBER	PART NUMBER	REQ'D NUMBER				
				S-1, S-2	S-3, T-0	T-1, U-0	U-1, V-0	V-1, E-0
B	ICE MAKING MECHANISM ASSY		118491A01	1	1	1	1	1
C	MECHANICAL BIN SWITCH		369003A01	1	1	-	-	-
			371148A01	-	-	1	1	1
D	WATER CIRCUIT ASSY		253738A01	1	-	-	-	-
			253738A02	-	1	1	1	1
E	REFRIGERATION CIRCUIT		118494A01	1	1	1	1	1
F	CONTROL BOX ASSY		252005A05	1	1	1	1	1
G	LABEL LOCATION		254312S01	1	1	1	1	1
K	ACCESSORIES			1	1	1	1	1
M	OPTIONAL PARTS	before serial number D04834L		1	1	1	1	1
		serial number D04834L and later		-	-	-	-	-
1	BODY ASSY		118004G01	1	1	1	-	-
			119360G01	-	-	-	1	1
2	FRONT FRAME		250744-01	1	1	1	1	1
3	RAIL (L)		117628-01	1	1	1	-	-
			119369P01	-	-	-	1	1
4	RAIL (R)		117629-01	1	1	1	-	-
			119370P01	-	-	-	1	1
5	AIR GUARD		470302-01	1	1	1	1	1
6	GROMMET-PIPE (C)	SANTOPRENE	470311-01	1	1	1	1	1
7	GROMMET-PIPE (B)	SANTOPRENE	470310-01	1	1	1	1	1
8	GROMMET-PIPE (A)	SANTOPRENE	470309-01	1	1	1	1	1
9	FRONT PANEL	before serial number D04834L	369029G01	1	1	1	1	1
		serial number D04834L and later	380574G01	-	-	-	-	1
10	COLLAR		481481P02	4	4	4	4	4
11	LOUVER		117636-01	1	1	1	1	1
12	AIR FILTER		250728G01	1	1	1	1	1
15	COVER - PIPE		368305-01	1	1	1	1	1
16	REAR COVER		368311-01	1	1	1	1	1
17	REAR PANEL		370654M02	1	1	1	1	1

HA

MODEL: <b>KM-61BAH</b>		TITLE: <b>A. ICE CUBER ASSY</b>						
INDEX NO.	DESCRIPTION	MATERIAL OR MODEL NUMBER	PART NUMBER	REQ'D NUMBER				
				S-1, S-2	S-3, T-0	T-1, U-0	U-1, V-0	V-1, E-0
18	POWER SUPPLY CORD	KP-30B SJT#16AWG	P00004-01	1	1	1	1	1
19	BUSHING	SR-7K-2	420472-02	1	1	1	1	1
20	SEAL - FILM		472471P01	1	1	1	1	1
21	CLAMP		427902-02	4	4	4	4	4
22	TWIST HOLDER		P00424-01	1	1	1	1	1
23	TOP PANEL ASSY	before serial number D04834L	369005A08	1	1	1	1	1
		serial number D04834L and later	380577A08	-	-	-	-	1
24	DOOR	Replace together with 4 pieces of No.10 COLLAR	369051G02	1	1	1	1	1
25	HEX. TAPPING SCREW W - FLANGE		P01572-01	4	4	4	4	4
26	GUIDE-DRAIN		4Y0191-01	2	2	2	2	2

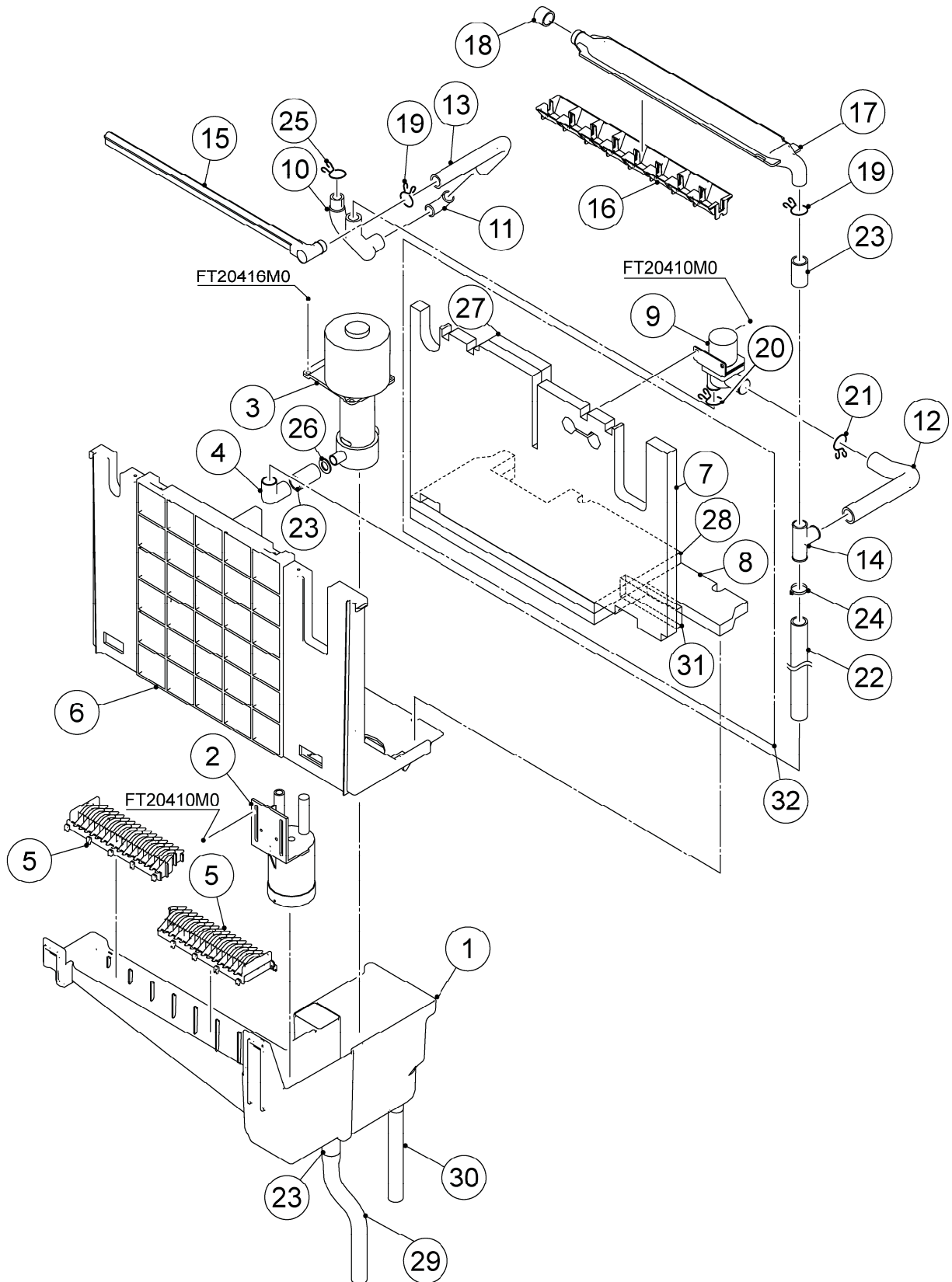
HA

MODEL: <b>KM-61BAH</b>		TITLE: <b>A. ICE CUBER ASSY</b>						
INDEX NO.	DESCRIPTION	MATERIAL OR MODEL NUMBER	PART NUMBER	REQ'D NUMBER				
				E-1				
B	ICE MAKING MECHANISM ASSY		118491A01	1				
C	MECHANICAL BIN SWITCH		369003A01	-				
			371148A01	1				
D	WATER CIRCUIT ASSY		253738A01	-				
			253738A02	1				
E	REFRIGERATION CIRCUIT		118494A01	1				
F	CONTROL BOX ASSY		252005A05	1				
G	LABEL LOCATION		254312S01	1				
K	ACCESSORIES			1				
M	OPTIONAL PARTS	before serial number D04834L		-				
		serial number D04834L and later		-				
1	BODY ASSY		118004G01	-				
			119360G01	1				
2	FRONT FRAME		250744-01	1				
3	RAIL (L)		117628-01	-				
			119369P01	1				
4	RAIL (R)		117629-01	-				
			119370P01	1				
5	AIR GUARD		470302-01	1				
6	GROMMET-PIPE (C)	SANTOPRENE	470311-01	1				
7	GROMMET-PIPE (B)	SANTOPRENE	470310-01	1				
8	GROMMET-PIPE (A)	SANTOPRENE	470309-01	1				
9	FRONT PANEL	before serial number D04834L	369029G01	-				
		serial number D04834L and later	380574G01	1				
10	COLLAR		481481P02	4				
11	LOUVER		117636-01	1				
12	AIR FILTER		250728G01	1				
15	COVER - PIPE		368305-01	1				
16	REAR COVER		368311-01	1				
17	REAR PANEL		370654M02	1				

HA

MODEL: <b>KM-61BAH</b>					TITLE: <b>A. ICE CUBER ASSY</b>				
INDEX NO.	DESCRIPTION	MATERIAL OR MODEL NUMBER	PART NUMBER	REQ'D NUMBER					
				E-1					
18	POWER SUPPLY CORD	KP-30B SJT#16AWG	P00004-01	1					
19	BUSHING	SR-7K-2	420472-02	1					
20	SEAL - FILM		472471P01	1					
21	CLAMP		427902-02	4					
22	TWIST HOLDER		P00424-01	1					
23	TOP PANEL ASSY	before serial number D04834L	369005A08	-					
		serial number D04834L and later	380577A08	1					
24	DOOR		369051G02	1					
25	HEX. TAPPING SCREW W - FLANGE		P01572-01	4					
26	GUIDE-DRAIN		4Y0191-01	2					
27	BRACE - RAIL	Do not attach if not provided originally	481548M01	1					





HA

MODEL: KM-61BAH		TITLE: B. ICE MAKING MECHANISM ASSY						
INDEX NO.	DESCRIPTION	MATERIAL OR MODEL NUMBER	PART NUMBER	REQ'D NUMBER				
				S-1, S-2	S-3, T-0	T-1, U-0	U-1, V-0	V-1, E-0
1	WATER TANK		117637-01	1	1	1	1	1
2	FLOAT SWITCH		4A3624-04	1	1	1	1	1
3	PUMP MOTOR	PV-0511BHZZ	P00467-01	1	1	1	1	1
4	ELBOW		417703-01	1	1	1	1	1
5	CUBE GUIDE (A)		250742-01	2	2	2	2	2
6	BRACKET - ICE MAKING		117630-01	1	1	1	1	1
7	INSULATION - MECHANISM (A)	Only available as No.32.	368342-01	-	-	-	-	-
8	INSULATION - MECHANISM (B)	Only available as No.32.	368343-01	-	-	-	-	-
9	SOLENOID VALVE	DSVP12N-2NSX-120A-L3SR	4A3722-01	1	1	1	-	
		FDC-90-02-115	P00018-02	-	-	-	1	1
10	WATER SUPPLY PIPE (A)		470306-01	1	1	1	1	1
11	ELBOW		470303-01	1	1	1	1	1
12	BYPASS PIPE		470308-01	1	1	1	1	-
			374229R01	-	-	-	-	1
13	WATER SUPPLY PIPE (B)		470307-01	1	1	1	1	-
	WATER SUPPLY HOSE (B)		374228R01	-	-	-	-	1
14	TEE		470312-01	1	1	1	1	1
15	WATER SUPPLY TUBE		250743-02	1	1	1	1	1
16	SPRAY GUIDE		252052P02	1	1	1	1	-
			258313P02	-	-	-	-	1
17	SPRAY TUBE		250746-02	1	1	1	1	1
18	SPRAY TUBE CAP		3A2645-01	1	1	1	1	1
	※Use either of the right		370777R01	1	1	1	1	1
19	HOSE CLAMP	16.5mm SUS	427443-04	2	2	2	2	2
	※Use either of the right		P02909-04	2	2	2	2	2
20	HOSE CLAMP	18mm SUS	427443-05	1	1	1	1	1
	※Use either of the right		P02909-05	1	1	1	1	1
21	HOSE CLAMP	20mm SUS	427443-06	1	1	1	1	1
	※Use either of the right		P02909-06	1	1	1	1	1

HA

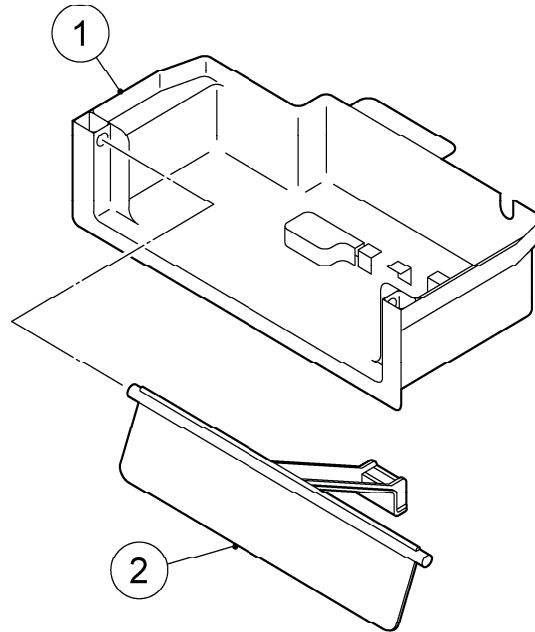
MODEL: <b>KM-61BAH</b>					TITLE: <b>B. ICE MAKING MECHANISM ASSY</b>				
INDEX NO.	DESCRIPTION	MATERIAL OR MODEL NUMBER	PART NUMBER	REQ'D NUMBER					
				S-1, S-2	S-3, T-0	T-1, U-0	U-1, V-0	V-1, E-0	
22	SILICONE HOSE	L=300 14 DIA x 18 DIA	H11418300	1	1	1	1	-	
		L=280 14 DIA x 18 DIA (CLEAR)	H11418280	-	-	-	-	1	
23	SILICONE HOSE	L=30 14 DIA x 18 DIA (CLEAR)	H11418030	3	3	3	3	3	
24	CABLE TIE	CV-100	7920-0002	8	8	8	8	8	
25	HOSE CLAMP ※Use either of the right	13.5mm SUS	427443-07	1	1	1	1	1	
			P02909-07	1	1	1	1	1	
26	ORIFICE		4Y4194P01	1	1	1	1	1	
27	INSULATION/MECHANISM (C)	Only available as No.32.	3Y2516Z01	-	-	-	-	-	
28	INSULATION/MECHANISM (D)	Only available as No.32.	3Y2517Z01	-	-	-	-	-	
29	PIPE/OVERFLOW		369038P01	1	1	1	1	1	
30	SILICONE HOSE	L=150 14 DIA x 18 DIA (CLEAR)	H11418150	1	1	1	1	1	
31	INSULATION - PUMP	Only available as No.32.	472395Z01	-	-	-	-	-	
32	INSULATION - MECHANISM		256825P01	-	-	-	1	1	

HA

MODEL: <b>KM-61BAH</b>		TITLE: <b>B. ICE MAKING MECHANISM ASSY</b>						
INDEX NO.	DESCRIPTION	MATERIAL OR MODEL NUMBER	PART NUMBER	REQ'D NUMBER				
				E-1				
1	WATER TANK		117637-01	1				
2	FLOAT SWITCH		4A3624-04	1				
3	PUMP MOTOR	PV-0511BHZ2	P00467-01	1				
4	ELBOW		417703-01	1				
5	CUBE GUIDE (A)		250742-01	2				
6	BRACKET - ICE MAKING		117630-01	1				
7	INSULATION - MECHANISM (A)	Only available as No.32.	368342-01	-				
8	INSULATION - MECHANISM (B)	Only available as No.32.	368343-01	-				
9	SOLENOID VALVE	DSVP12N-2NSX-120A-L3SR	4A3722-01					
		FDC-90-02-115	P00018-02	1				
10	WATER SUPPLY PIPE (A)		470306-01	1				
11	ELBOW		470303-01	1				
12	BYPASS PIPE		470308-01	-				
			374229R01	1				
13	WATER SUPPLY PIPE (B)		470307-01	-				
	WATER SUPPLY HOSE (B)		374228R01	1				
14	TEE		470312-01	1				
15	WATER SUPPLY TUBE		250743-02	1				
16	SPRAY GUIDE		252052P02	-				
			258313P02	1				
17	SPRAY TUBE		250746-02	1				
18	SPRAY TUBE CAP		3A2645-01	1				
	※Use either of the right		370777R01	1				
19	HOSE CLAMP	16.5mm SUS	427443-04	2				
	※Use either of the right		P02909-04	2				
20	HOSE CLAMP	18mm SUS	427443-05	1				
	※Use either of the right		P02909-05	1				
21	HOSE CLAMP	20mm SUS	427443-06	1				
	※Use either of the right		P02909-06	1				

HA

MODEL: <b>KM-61BAH</b>					TITLE: <b>B. ICE MAKING MECHANISM ASSY</b>				
INDEX NO.	DESCRIPTION	MATERIAL OR MODEL NUMBER	PART NUMBER	REQ'D NUMBER					
				E-1					
22	SILICONE HOSE	L=300 14 DIA x 18 DIA	H11418300	-					
		L=280 14 DIA x 18 DIA (CLEAR)	H11418280	1					
23	SILICONE HOSE	L=30 14 DIA x 18 DIA (CLEAR)	H11418030	3					
24	CABLE TIE	CV-100	7920-0002	8					
25	HOSE CLAMP ※Use either of the right	13.5mm SUS	427443-07	1					
			P02909-07	1					
26	ORIFICE		4Y4194P01	1					
27	INSULATION/MECHANISM (C)	Only available as No.32.	3Y2516Z01	-					
28	INSULATION/MECHANISM (D)	Only available as No.32.	3Y2517Z01	-					
29	PIPE/OVERFLOW		369038P01	1					
30	SILICONE HOSE	L=150 14 DIA x 18 DIA (CLEAR)	H11418150	1					
31	INSULATION - PUMP	Only available as No.32.	472395Z01	-					
32	INSULATION - MECHANISM		256825P01	1					



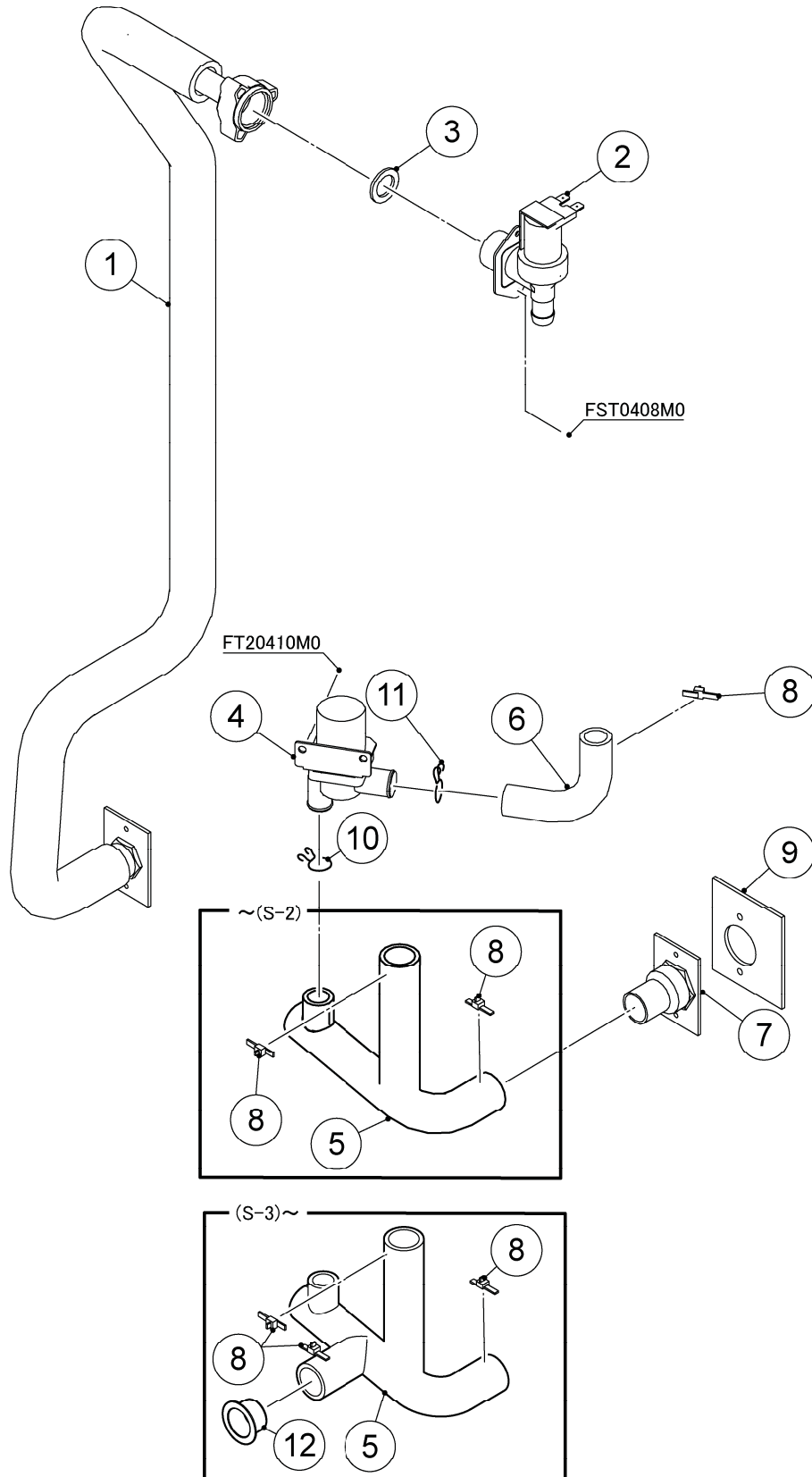
HA

MODEL: <b>KM-61BAH</b>		TITLE: <b>C. MECHANICAL BIN SWITCH</b>						
INDEX NO.	DESCRIPTION	MATERIAL OR MODEL NUMBER	PART NUMBER	REQ'D NUMBER				
				S-1, S-2	S-3, T-0	T-1, U-0	U-1, V-0	V-1, E-0
1	MECHANICAL SWITCH CASE		369011G01	1	1	-	-	-
			371149G01	-	-	1	1	1
2	DETECTOR		369012G01	1	1	-	-	-
			371150G01	-	-	1	1	1

HA

MODEL: <b>KM-61BAH</b>		TITLE: <b>C. MECHANICAL BIN SWITCH</b>						
INDEX NO.	DESCRIPTION	MATERIAL OR MODEL NUMBER	PART NUMBER	REQ'D NUMBER				
				E-1				
1	MECHANICAL SWITCH CASE		369011G01	-				
			371149G01	1				
2	DETECTOR		369012G01	-				
			371150G01	1				



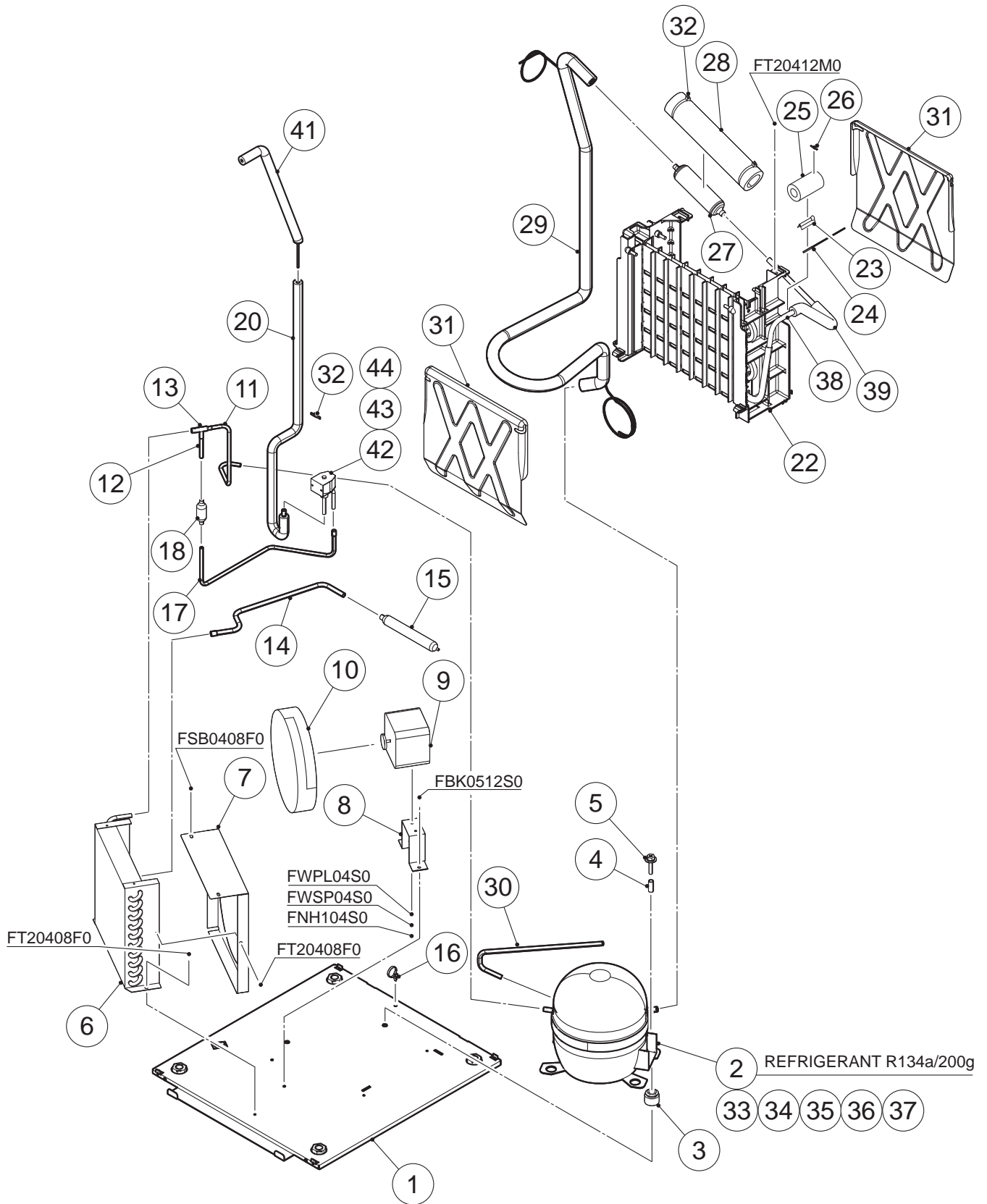


HA

MODEL: <b>KM-61BAH</b>		TITLE: <b>D. WATER CIRCUIT ASSY</b>						
INDEX NO.	DESCRIPTION	MATERIAL OR MODEL NUMBER	PART NUMBER	REQ'D NUMBER				
				S-1, S-2	S-3, T-0	T-1, U-0	U-1, V-0	V-1, E-0
1	WATER SUPPLY PIPE		369048G01	1	1	1	1	1
2	WATER VALVE	V19, 0.8L/min	P00463-01	1	1	1	1	1
3	RUBBER GASKET		413854-03	1	1	1	1	1
4	SOLENOID VALVE	DSVP12N-2NSX-120A-L3SR	4A3722-01	1	1	1	-	
		FDC-90-02-115	P00018-02	-	-	-	1	1
5	DRAIN HOSE	EPDM (BLACK) OR SANATOPRENE	470305-01	1	-	-	-	-
		SANATOPRENE	370704R01	-	1	1	1	1
6	HOSE - VALVE	EPDM (BLACK) OR SANATOPRENE	470304-01	1	1	1	1	1
7	DRAIN FITTING		472726G01	1	1	1	1	1
8	CABLE TIE	CV-150	7920-0003	3	4	4	4	4
9	INSULATION/DRAIN		4Y4319Z01	1	1	1	1	1
10	HOSE CLAMP ※Use either of the right	18mm SUS	427443-05	1	1	1	1	1
			P02909-05	1	1	1	1	1
11	HOSE CLAMP ※Use either of the right	20mm SUS	427443-06	1	1	1	1	1
			P02909-06	1	1	1	1	1
12	CAP		472250P01	-	1	1	1	1

HA

MODEL: <b>KM-61BAH</b>		TITLE: <b>D. WATER CIRCUIT ASSY</b>						
INDEX NO.	DESCRIPTION	MATERIAL OR MODEL NUMBER	PART NUMBER	REQ'D NUMBER				
				E-1				
1	WATER SUPPLY PIPE		369048G01	1				
2	WATER VALVE	V19, 0.8L/min	P00463-01	1				
3	RUBBER GASKET		413854-03	1				
4	SOLENOID VALVE	DSVP12N-2NSX-120A-L3SR	4A3722-01					
		FDC-90-02-115	P00018-02	1				
5	DRAIN HOSE	EPDM (BLACK) OR SANATOPRENE	470305-01	-				
		SANATOPRENE	370704R01	1				
6	HOSE - VALVE	EPDM (BLACK) OR SANATOPRENE	470304-01	1				
7	DRAIN FITTING		472726G01	1				
8	CABLE TIE	CV-150	7920-0003	4				
9	INSULATION/DRAIN		4Y4319Z01	1				
10	HOSE CLAMP ※Use either of the right	18mm SUS	427443-05	1				
			P02909-05	1				
11	HOSE CLAMP ※Use either of the right	20mm SUS	427443-06	1				
			P02909-06	1				
12	CAP		472250P01	1				



HA

MODEL: KM-61BAH		TITLE: E. REFRIGERATION CIRCUIT						
INDEX NO.	DESCRIPTION	MATERIAL OR MODEL NUMBER	PART NUMBER	REQ'D NUMBER				
				S-1, S-2	S-3, T-0	T-1, U-0	U-1, V-0	V-1, E-0
1	BASE		370282G01	1	1	1	1	1
2	COMPRESSOR	QA51K13GAU6-E0GS	P00023-01	1	1	1	1	1
3	RUBBER GROMMET	01-245970	463983-01	4	4	4	4	4
4	GROMMET SLEEVE	01-245960	463984-01	2	2	2	2	2
5	BOLT	8x35	436206-03	2	2	2	2	2
6	CONDENSER -AIR COOLED		P00003-01	1	1	1	1	1
7	SHROUD		368317-01	1	1	1	1	1
8	BRACKET - FM		470291-01	1	1	1	1	1
9	FAN MOTOR	M4Q045-BD03-04	P00465-01	1	1	1	1	1
10	FAN BLADE	200 DIA (22°)	P00006-01	1	1	1	1	1
11	COPPER TUBE(A) - HI	COPPER TUBE -HI(A) 370324G01	370327M01	1	1	1	1	1
12	COPPER TUBE - H-2	COPPER TUBE -HI(A) 370324G01	470300-01	1	1	1	1	1
13	TEE	COPPER TUBE -HI(A) 370324G01	420041-03	1	1	1	1	1
14	COPPER TUBE(D) - HIGH SIDE		471940M01	1	1	1	1	1
15	DRIER		P00007-01	1	1	1	1	1
16	PUSH MOUNT TIE	T30RSF	436156-01	1	1	1	1	1
17	COPPER TUBE - H-3		471941M01	1	1	1	1	1
18	STRAINER		P00008-01	1	1	1	1	1
20	COPPER TUBE - HOT GAS		370325G01	1	1	1	1	1
22	EVAPORATOR ASSY		252007G01	1	1	1	1	-
			258587G01	-	-	-	-	1
23	THERMISTOR HOLDER		436455-01	1	1	1	1	1
24	THERMISTOR	NBFC-36-H60-1	P00027-01	1	1	1	1	1
25	INSULATION - THERMISTOR		471010Z01	1	1	1	1	1
26	CABLE TIE	CV-100	7920-0002	3	3	3	3	3
27	ACCUMULATOR		P00010-01	1	1	1	1	1
28	ACCUMULATOR COVER		369039Z01	1	1	1	1	1
29	HEAT EXCHANGER		370326G01	1	1	1	1	-
			259014G01	-	-	-	-	1
30	COPPER TUBE - PROCESS(A)		471008M01	1	1	1	1	1
31	SEPARATOR		250749-02	2	2	2	2	2

HA

MODEL: <b>KM-61BAH</b>		TITLE: <b>E. REFRIGERATION CIRCUIT</b>						
INDEX NO.	DESCRIPTION	MATERIAL OR MODEL NUMBER	PART NUMBER	REQ'D NUMBER				
				S-1, S-2	S-3, T-0	T-1, U-0	U-1, V-0	V-1, E-0
32	CABLE TIE	CV-200	7920-0010	4	4	4	4	4
33	PTC RELAY	PTH7M4R7MC1	P00354-01	1	1	1	1	1
34	MOTOR PROTECTOR	MM3-38ECA	456254-01	1	1	1	1	1
35	PROTECTOR COVER	01-242281	P00355-01	1	1	1	1	1
36	CLAMP	01-236384	438846-01	1	1	1	1	1
37	CLIP	01-246801	438847-01	1	1	1	1	1
38	COPPER TUBE - ACCUMULATOR	COPPER TUBE - ACCUMULATOR 471166G01	471166M01	1	1	1	1	-
39	INSULATION TUBE	COPPER TUBE - ACCUMULATOR 471166G01 L=260	7762-1030	1	1	1	1	-
41	COPPER TUBE (B) - HOT GAS		4Y4336G01	1	1	1	1	1
42	VALVE BODY	AMS - B24BHDU - 1	4A3275-01	1	1	1	1	1
43	COIL - VALVE		4A3277-01	1	1	1	1	1
44	BOLT		4A3277F01	1	1	1	1	1
45	INSULATION TUBE	7762-1323 L=70	H71323070	1	1	1	1	1
46	CABLE TIE	CV-150	7920-0003	1	1	1	1	1
47	CABLE TIE	CV-70	7920-0001	1	1	1	1	1

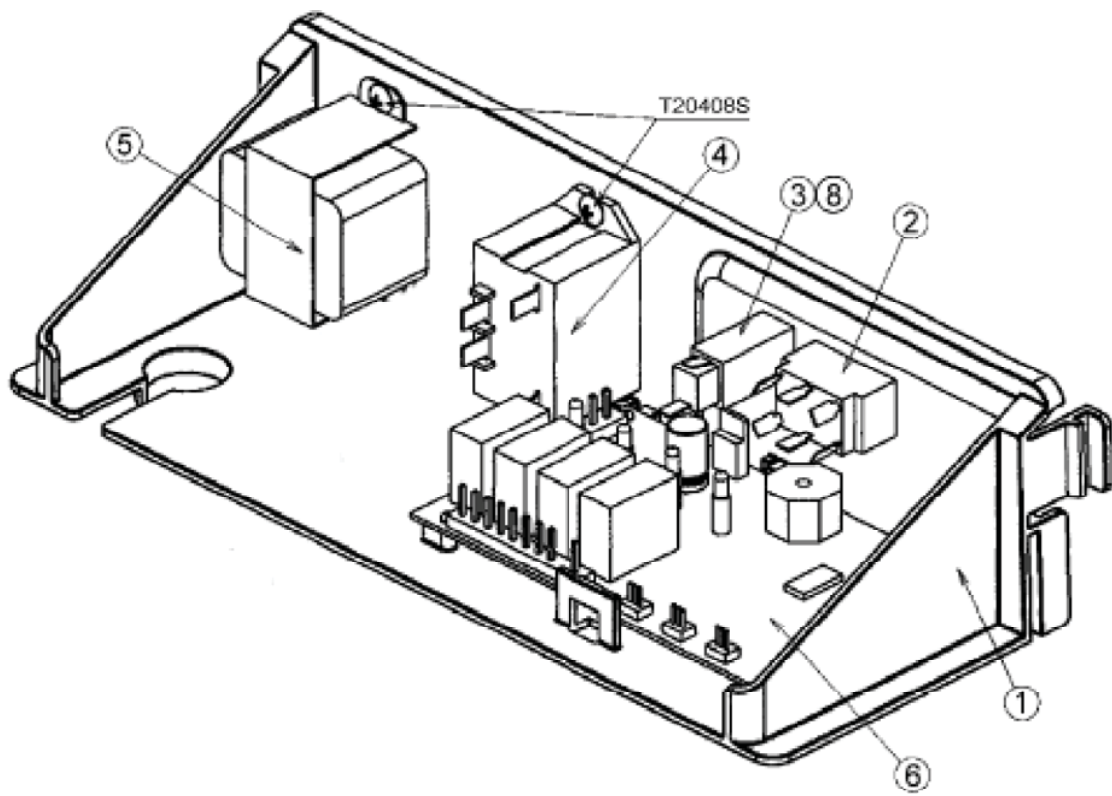
HA

MODEL: <b>KM-61BAH</b>		TITLE: <b>E. REFRIGERATION CIRCUIT</b>						
INDEX NO.	DESCRIPTION	MATERIAL OR MODEL NUMBER	PART NUMBER	REQ'D NUMBER				
				E-1				
1	BASE		370282G01	1				
2	COMPRESSOR	QA51K13GAU6-E0GS	P00023-01	1				
3	RUBBER GROMMET	01-245970	463983-01	4				
4	GROMMET SLEEVE	01-245960	463984-01	2				
5	BOLT	8x35	436206-03	2				
6	CONDENSER -AIR COOLED		P00003-01	1				
7	SHROUD		368317-01	1				
8	BRACKET - FM		470291-01	1				
9	FAN MOTOR	M4Q045-BD03-04	P00465-01	1				
10	FAN BLADE	200 DIA (22°)	P00006-01	1				
11	COPPER TUBE(A) - HI	COPPER TUBE -HI(A) 370324G01	370327M01	1				
12	COPPER TUBE - H-2	COPPER TUBE -HI(A) 370324G01	470300-01	1				
13	TEE	COPPER TUBE -HI(A) 370324G01	420041-03	1				
14	COPPER TUBE(D) - HIGH SIDE		471940M01	1				
15	DRIER		P00007-01	1				
16	PUSH MOUNT TIE	T30RSF	436156-01	1				
17	COPPER TUBE - H-3		471941M01	1				
18	STRAINER		P00008-01	1				
20	COPPER TUBE - HOT GAS		370325G01	1				
22	EVAPORATOR ASSY		252007G01	-				
			258587G01	1				
23	THERMISTOR HOLDER		436455-01	1				
24	THERMISTOR	NBFC-36-H60-1	P00027-01	1				
25	INSULATION - THERMISTOR		471010Z01	1				
26	CABLE TIE	CV-100	7920-0002	3				
27	ACCUMULATOR		P00010-01	1				
28	ACCUMULATOR COVER		369039Z01	1				
29	HEAT EXCHANGER		370326G01	-				
			259014G01	1				
30	COPPER TUBE - PROCESS(A)		471008M01	1				
31	SEPARATOR		250749-02	2				

HA

MODEL: <b>KM-61BAH</b>		TITLE: <b>E. REFRIGERATION CIRCUIT</b>						
INDEX NO.	DESCRIPTION	MATERIAL OR MODEL NUMBER	PART NUMBER	REQ'D NUMBER				
				E-1				
32	CABLE TIE	CV-200	7920-0010	4				
33	PTC RELAY	PTH7M4R7MC1	P00354-01	1				
34	MOTOR PROTECTOR	MM3-38ECA	456254-01	1				
35	PROTECTOR COVER	01-242281	P00355-01	1				
36	CLAMP	01-236384	438846-01	1				
37	CLIP	01-246801	438847-01	1				
38	COPPER TUBE - ACCUMULATOR	COPPER TUBE - ACCUMULATOR 471166G01	471166M01	-				
39	INSULATION TUBE	COPPER TUBE - ACCUMULATOR 471166G01 L=260	7762-1030	-				
41	COPPER TUBE (B) - HOT GAS		4Y4336G01	1				
42	VALVE BODY	AMS - B24BH DU - 1	4A3275-01	1				
43	COIL - VALVE		4A3277-01	1				
44	BOLT		4A3277F01	1				
45	INSULATION TUBE	7762-1323 L=70	H71323070	1				
46	CABLE TIE	CV-150	7920-0003	1				
47	CABLE TIE	CV-70	7920-0001	1				



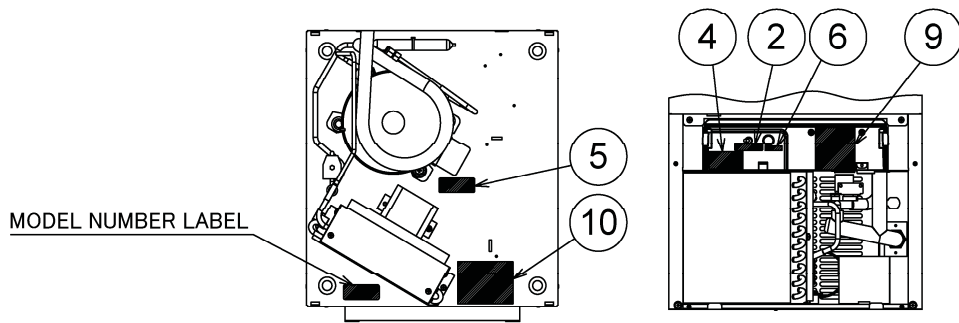
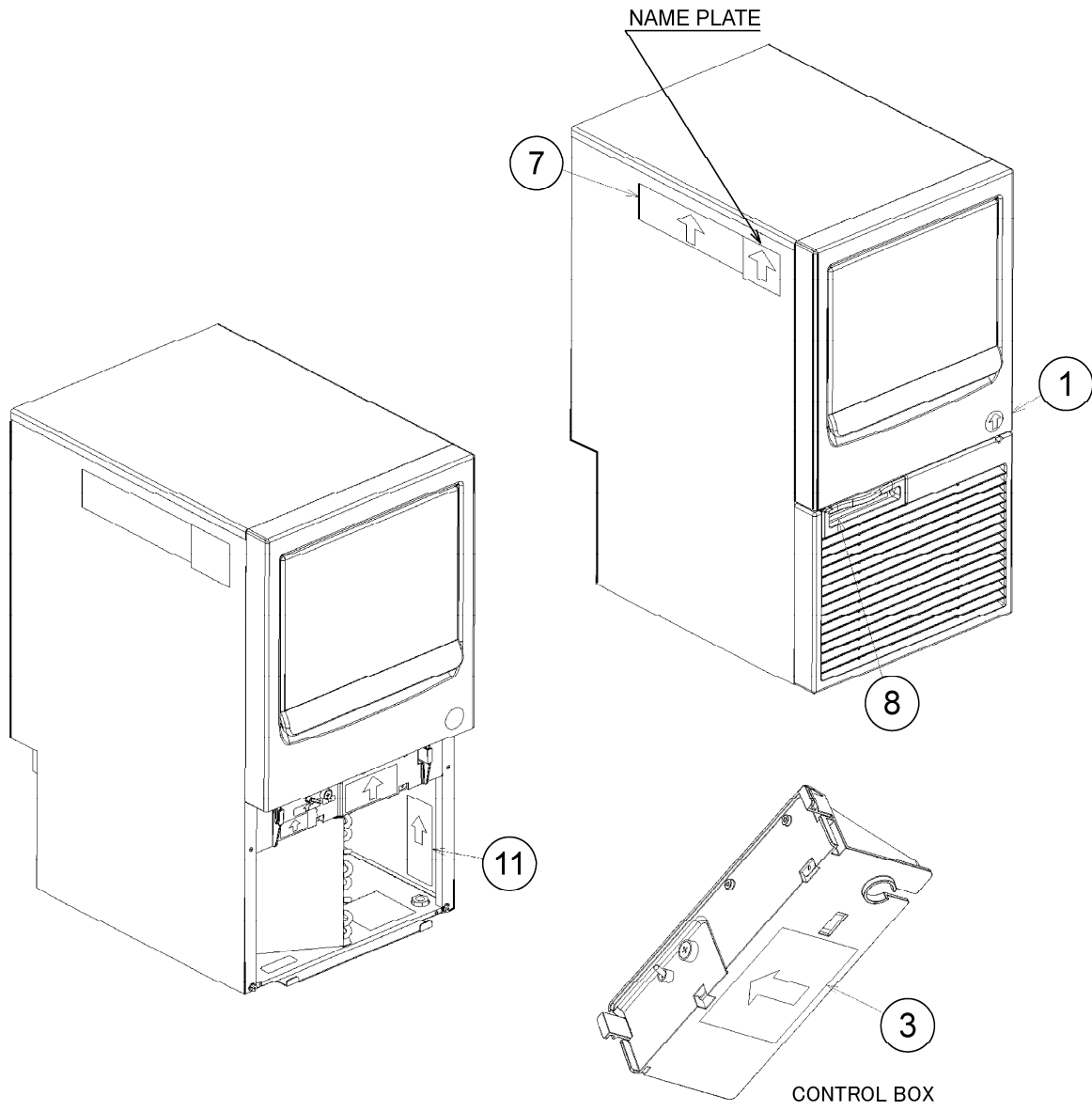


HA

MODEL: <b>KM-61BAH</b>		TITLE: <b>F. CONTROL BOX ASSY</b>						
INDEX NO.	DESCRIPTION	MATERIAL OR MODEL NUMBER	PART NUMBER	REQ'D NUMBER				
				S-1, S-2	S-3, T-0	T-1, U-0	U-1, V-0	V-1, E-0
1	CONTROL BOX		117624-01	1	1	1	1	1
2	TOGGLE SWITCH	KND-203	P00033-01	1	1	1	1	1
3	FUSE HOLDER	BF115	P00014-01	1	1	1	1	1
4	POWER RELAY	G7L-1A-TUB	449000-01	1	1	1	1	1
5	TRANSFORMER		3A4395-01	1	1	1	1	1
6	CONTROLLER BOARD	HKM2006V003	P01771-02	1	1	1	1	1
8	FUSE	125/250V 5A	420468-02	1	1	1	1	1

HA

MODEL: <b>KM-61BAH</b>		TITLE: <b>F. CONTROL BOX ASSY</b>						
INDEX NO.	DESCRIPTION	MATERIAL OR MODEL NUMBER	PART NUMBER	REQ'D NUMBER				
				E-1				
1	CONTROL BOX		117624-01	1				
2	TOGGLE SWITCH	KND-203	P00033-01	1				
3	FUSE HOLDER	BF115	P00014-01	1				
4	POWER RELAY	G7L-1A-TUB	449000-01	1				
5	TRANSFORMER		3A4395-01	1				
6	CONTROLLER BOARD	HKM2006V003	P01771-02	1				
8	FUSE	125/250V 5A	420468-02	1				

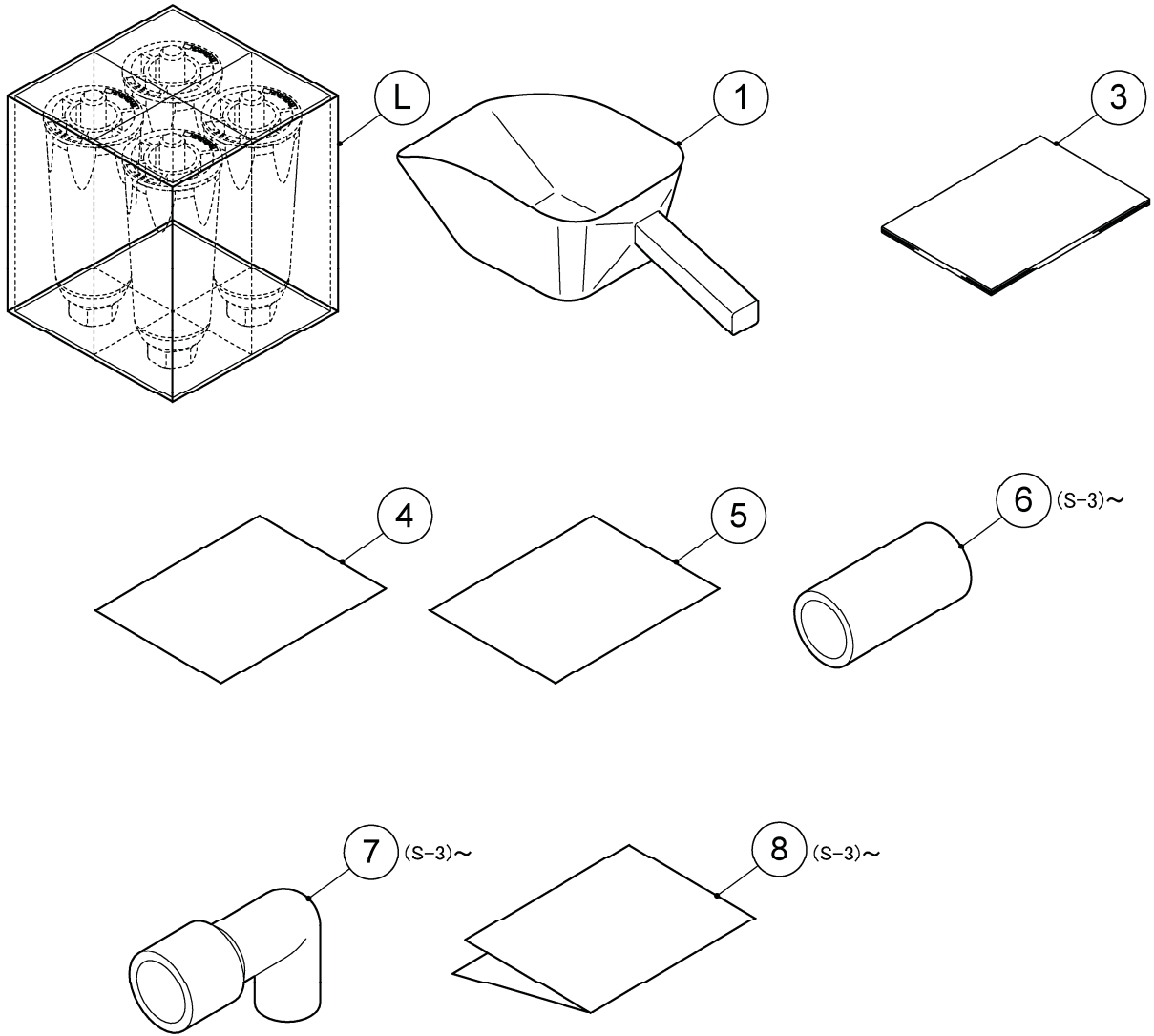


HA

MODEL: <b>KM-61BAH</b>		TITLE: <b>G. LABEL LOCATION</b>						
INDEX NO.	DESCRIPTION	MATERIAL OR MODEL NUMBER	PART NUMBER	REQ'D NUMBER				
				S-1, S-2	S-3, T-0	T-1, U-0	U-1, V-0	V-1, E-0
1	LOGO LABEL - PENGUIN		471487L01	1	1	1	1	1
2	CONTROL LABEL - FUSE		476009L01	1	1	1	1	1
3	WIRING LABEL		370655L01	1	1	1	1	1
4	CAUTION LABEL		464507-01	1	1	1	1	1
5	LABEL - R134a		444463-01	1	1	1	1	1
6	-		-	-				
7	MAINTENANCE LABEL		369056L01	1	1	1	1	1
8	LABEL - AIR FILTER		426177-01	1	1	1	1	1
9	CAUTION LABEL - SERVICE		370640L01	1	1	1	1	1
10	LABEL - ALARM		370310L01	1	1	1	1	1
11	LABEL /CONTROL BOARD		370605L02	1	1	1	1	1

HA

MODEL: <b>KM-61BAH</b>		TITLE: <b>G. LABEL LOCATION</b>						
INDEX NO.	DESCRIPTION	MATERIAL OR MODEL NUMBER	PART NUMBER	REQ'D NUMBER				
				E-1				
1	LOGO LABEL - PENGUIN		471487L01	1				
2	CONTROL LABEL - FUSE		476009L01	1				
3	WIRING LABEL		370655L01	1				
4	CAUTION LABEL		464507-01	1				
5	LABEL - R134a		444463-01	1				
6	-		-					
7	MAINTENANCE LABEL		369056L01	1				
8	LABEL - AIR FILTER		426177-01	1				
9	CAUTION LABEL - SERVICE		370640L01	1				
10	LABEL - ALARM		370310L01	1				
11	LABEL /CONTROL BOARD		370605L02	1				



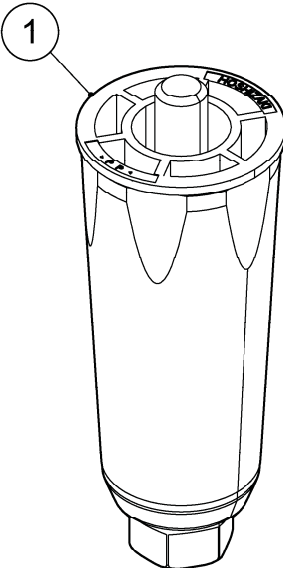
HA

MODEL: <b>KM-61BAH</b>		TITLE: <b>K. ACCESSORIES</b>						
INDEX NO.	DESCRIPTION	MATERIAL OR MODEL NUMBER	PART NUMBER	REQ'D NUMBER				
				S-1, S-2	S-3, T-0	T-1, U-0	U-1, V-0	V-1, E-0
L	LEG SET - UNC		472736A01	1	1	1	1	1
1	SCOOP		1H4123P02	1	1	1	1	1
3	INSTRUCTION MANUAL		L1M006105	1	1	1	1	1
4	WARRANTY CERTIFICATE		2A4016-01	1	1	1	1	1
5	REGISTRATION CARD		2A2894-01	1	1	1	1	1
6	JOINT PIPE		472483P01	-	1	1	1	1
7	INLET HOSE		472482R01	-	1	1	1	1
8	INSTALLATION SHEET - DRAIN PUMP		255307L01	-	1	1	1	1



HA

MODEL: <b>KM-61BAH</b>		TITLE: <b>K. ACCESSORIES</b>						
INDEX NO.	DESCRIPTION	MATERIAL OR MODEL NUMBER	PART NUMBER	REQ'D NUMBER				
				E-1				
L	LEG SET - UNC		472736A01	1				
1	SCOOP		1H4123P02	1				
3	INSTRUCTION MANUAL		L1M006105	1				
4	WARRANTY CERTIFICATE		2A4016-01	1				
5	REGISTRATION CARD		2A2894-01	1				
6	JOINT PIPE		472483P01	1				
7	INLET HOSE		472482R01	1				
8	INSTALLATION SHEET - DRAIN PUMP		255307L01	1				

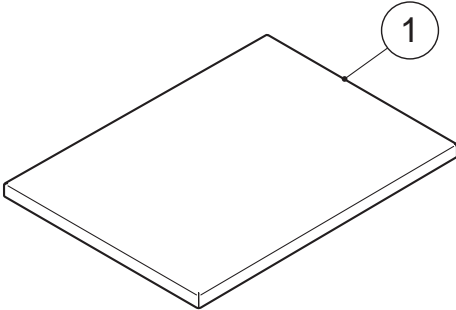


HA

MODEL: <b>KM-61BAH</b>		TITLE: <b>L. LEG SET - UNC</b>						
INDEX NO.	DESCRIPTION	MATERIAL OR MODEL NUMBER	PART NUMBER	REQ'D NUMBER				
				S-1, S-2	S-3, T-0	T-1, U-0	U-1, V-0	V-1, E-0
1	LEG - UNC		371053G01	4	4	4	4	4

HA

MODEL: <b>KM-61BAH</b>		TITLE: <b>L. LEG SET - UNC</b>						
INDEX NO.	DESCRIPTION	MATERIAL OR MODEL NUMBER	PART NUMBER	REQ'D NUMBER				
				E-1				
1	LEG - UNC		371053G01	4				



HA

MODEL: <b>KM-61BAH</b>		TITLE: <b>M. OPTIONAL PARTS</b>						
INDEX NO.	DESCRIPTION	MATERIAL OR MODEL NUMBER	PART NUMBER	REQ'D NUMBER				
				S-1, S-2	S-3, T-0	T-1, U-0	U-1, V-0	V-1, E-0
1	COVER - TOP PANEL	before serial number D04834L	266603M02	1	1	1	1	1
		serial number D04834L and later		-	-	-	-	-

HA

MODEL: <b>KM-61BAH</b>		TITLE: <b>M. OPTIONAL PARTS</b>						
INDEX NO.	DESCRIPTION	MATERIAL OR MODEL NUMBER	PART NUMBER	REQ'D NUMBER				
				E-1				
1	COVER - TOP PANEL	before serial number D04834L	266603M02	-				
		serial number D04834L and later		-				