

Hoshizaki America, Inc.

Modular Crescent Cuber

Models

KM-90 IMAH50

KM-90 IMRH50



“A Superior Degree
of Reliability”

www.hoshizaki.com

PARTS LIST



Number: 71315
Issued: 3-3-2011
Revised: 12-22-2015

CONTENTS

Auxiliary Codes.....	3
Note About Ordering Parts	3
A. Main Assembly & Refrigeration Circuit	4
KM-901MAH50	4
KM-901MRH50.....	6
B. Water Circuit	8
C. Control Box Assembly	10
D. Accessories & Labels	12

Auxiliary Codes

KM-901MAH50

V-0 June 2010
A-0 January 2011
A-1 November 2011
B-0 February 2012
C-0 January 2013
D-0 January 2014
E-0 January 2015

KM-901MRH50

V-0 July 2010
A-0 May 2011
A-1 November 2011
B-0 July 2012
C-0 January 2013
E-0 February 2015

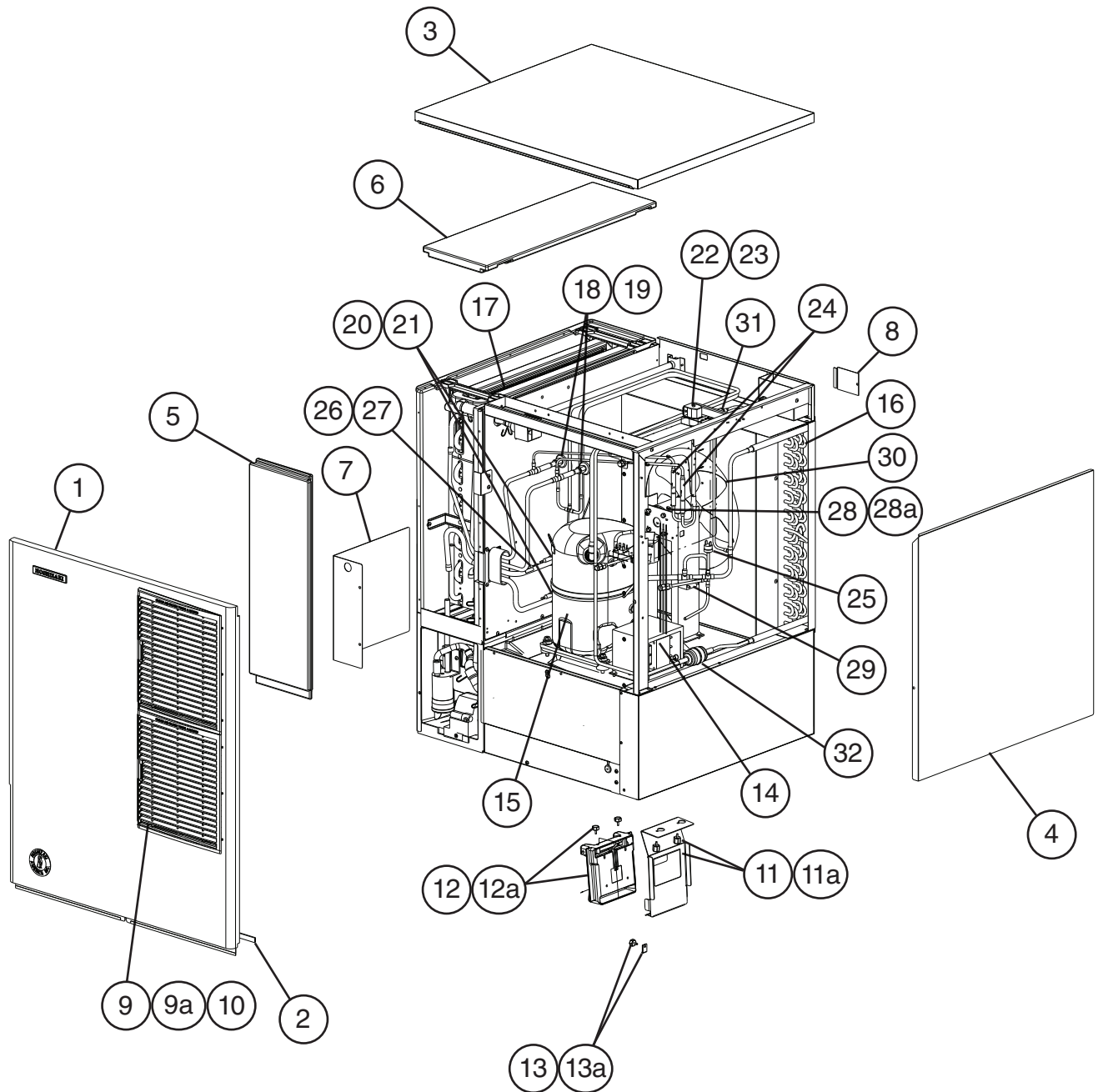
Auxiliary Code Breakdown

The auxiliary code is the first two characters in the serial number. The first character indicates the year. Years progress or regress in alphabetical order. The series runs from "A" through "V" and the letters "I" and "O" are skipped. The second character indicates significant part changes within a year. Base is "0" and this number advances for each change. In cases where there is a letter in parentheses, this designates the month. This is the last character in the serial number. The series runs from "(A)" through "(M)" and the letter "(I)" is skipped. This designation is only included when identifying a parts change within an auxiliary code.

Note About Ordering Parts

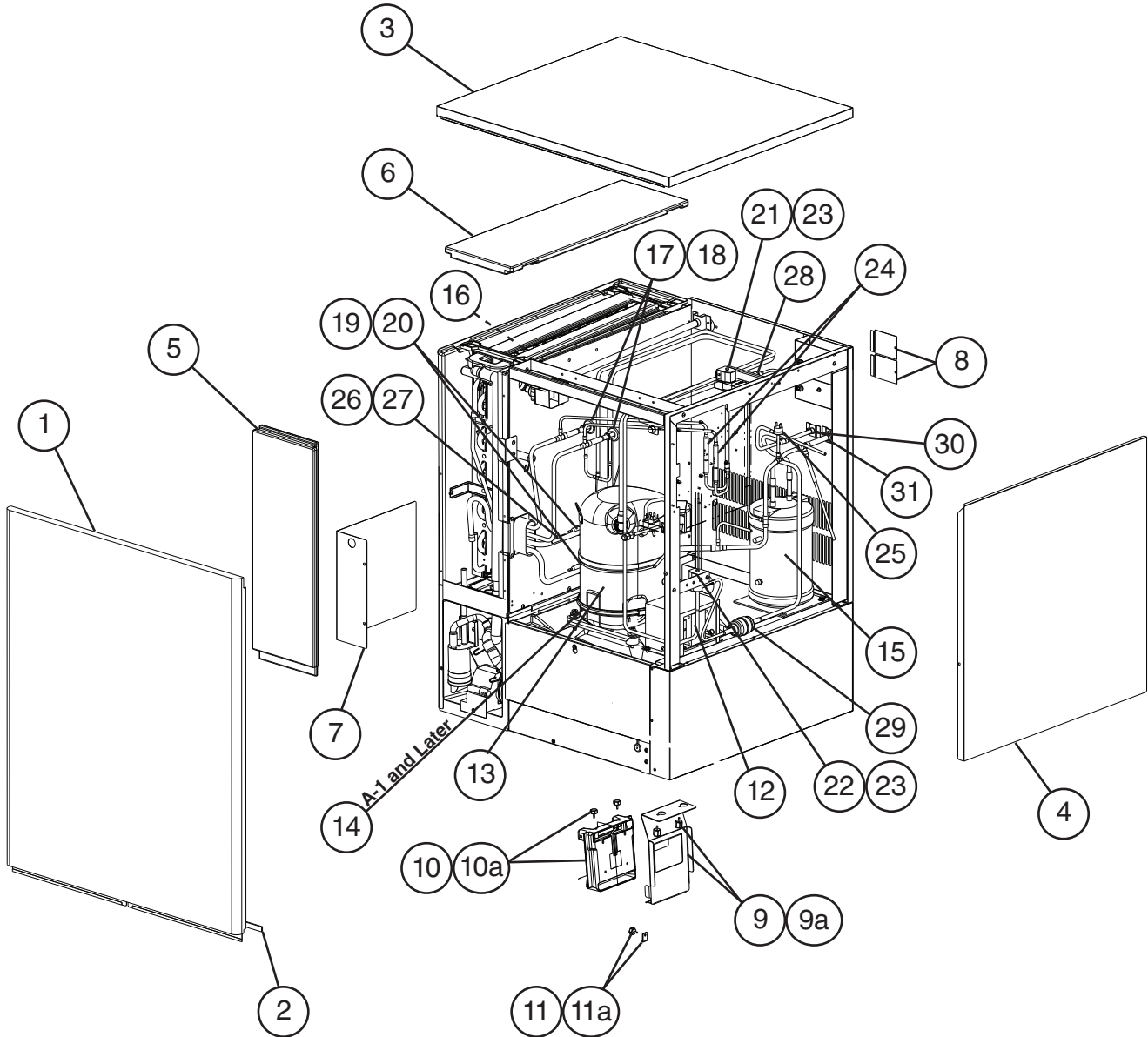
Most assemblies cannot be ordered as complete units; parts in the assemblies generally must be ordered separately.

A. Main Assembly & Refrigeration Circuit
KM-901MAH50
 V-0 to E-0



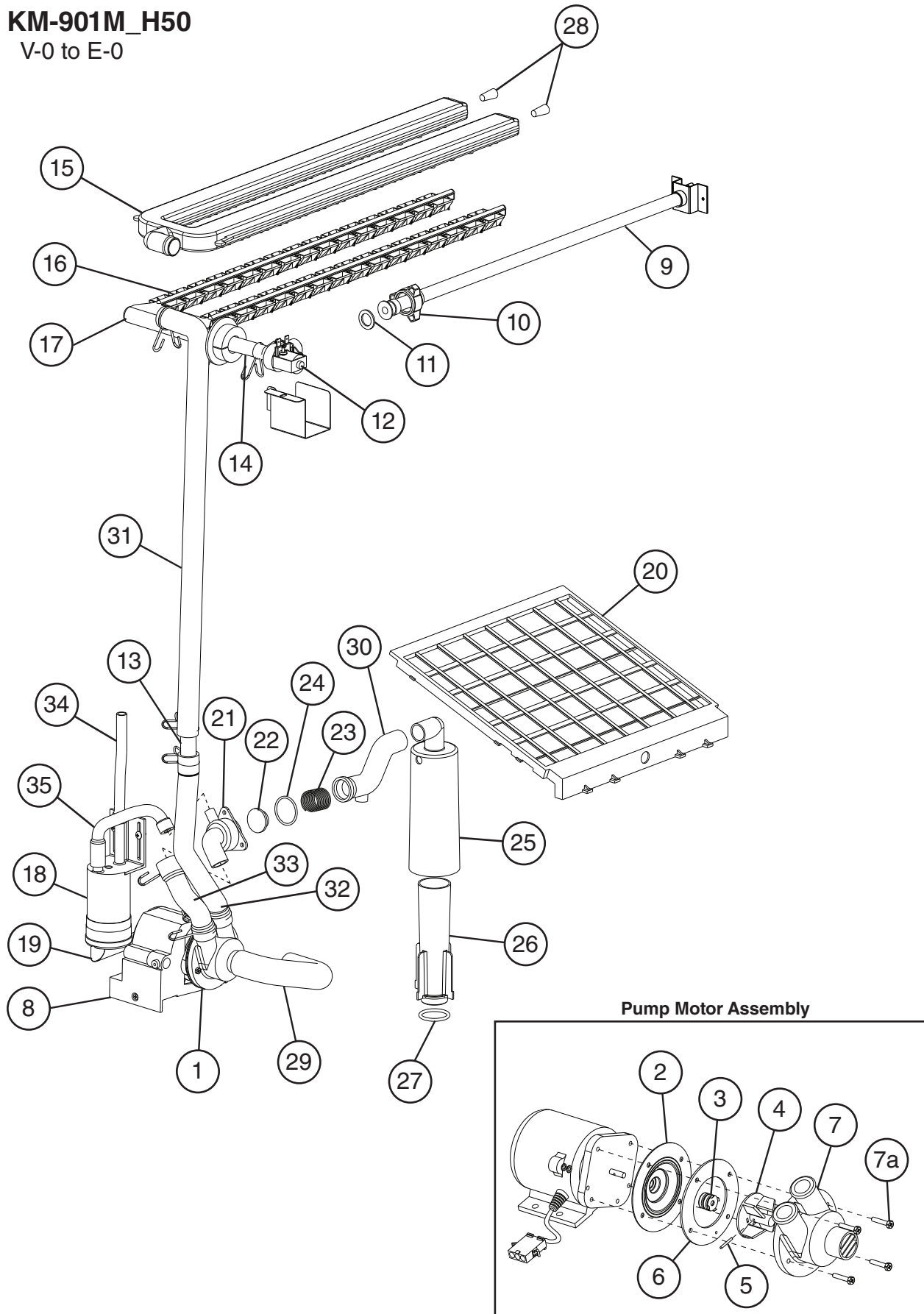
Title: A. Main Assembly & Refrigeration Circuit Model: KM-901MAH50											
Index No.	Description	Material or Model Number	Part Number	Required Number							
				V-0 to A-0	A-1 to B-0	C-0 to E-0					
Main Assembly											
1	Front Panel		2A3986G01	1	1	1					
2	Gasket	L=762 mm	4A0808L02	1	1	1					
3	Top Panel		3A4185G01	1	1	1					
4	Right Side Panel		2A2117G02	1	1	1					
5	Front Insulation		215731G02	1	1	1					
6	Top Insulation		215730G01	1	1	1					
7	Control Box Cover		3A2386-01	1	1	1					
8	Junction Box Cover		433410-01	1	1	1					
9	Louver		1A0547-01	2	2	2					
9a	Push Retainer		4A2414-01	6	6	6					
10	Air Filter		2A2062G01	2	2	2					
11	Bin Control Switch Mount		3A5210-01	1	1	1					
11a	Thumbscrew		415949G12	2	2	2					
12	Mechanical Bin Control		2A4393G01	1	1	1					
12a	Thumbscrew		415949G10	2	2	2					
13	Strap		435487-01	1	1	1					
13a	Thumbscrew		415949G10	1	1	1					
14	Main Transformer		4A5262-01	1	1	1					
Refrigeration Circuit											
15	Compressor		4A4954-01	1	-						
			4A4954-03		1	1					
16	Condenser		1A1259-01	1	1	1					
17	Evaporator		106396G02	1	1	-					
			1A2349G01			1					
18	Thermostatic Expansion Valve		4A4008-01	2	2	2					
19	Thermostatic Expansion Valve Cover		3A0944-01	2	2	2					
20	Thermostatic Expansion Valve Bulb Holder		3A0107-01	2	2	2					
21	Clamp		443461-02	2	2	2					
22	Hot Gas Valve Body		4A3978-01	1	1	1					
23	Valve Coil		4A3277-01	1	1	1					
24	Check Valve		4A1373-01	2	2	2					
25	High-Pressure Switch		463180-04	1	1	1					
26	Thermistor		429006-03	1	1	1					
27	Thermistor Holder		427430-01	1	1	1					
28	Fan Motor		4A3158-01	1	1	1					
28a	Self-Locking Nut	8-32	7N2110832	4	4	4					
29	Fan Motor Capacitor	5.0MFD, 250VAC	443192-02	1	1	1					
30	Fan Blade		4A4144-01	1	1	1					
31	Strainer		441569-02	1	1	1					
32	Drier		4A2666-01	1	1	1					

A. Main Assembly & Refrigeration Circuit
KM-901MRH50
 V-0 to E-0



Title: A. Main Assembly & Refrigeration Circuit Model: KM-901MRH50												
Index No.	Description	Material or Model Number	Part Number	Required Number								
				V-0 to A-0	A-1 to E-0							
Main Assembly												
1	Front Panel		2A2252G01	1	1							
2	Gasket	L=762 mm	4A0808L02	1	1							
3	Top Panel		3A1862A01	1	1							
4	Right Side Panel		2A2117G02	1	1							
5	Front Insulation		215731G02	1	1							
6	Top Insulation		215730G01	1	1							
7	Control Box Cover		3A2386-01	1	1							
8	Junction Box Cover		433410-01	2	2							
9	Bin Control Switch Mount		3A5210-01	1	1							
9a	Thumbscrew		415949G12	2	2							
10	Mechanical Bin Control		2A4393G01	1	1							
10a	Thumbscrew		415949G10	2	2							
11	Strap		435487-01	1	1							
11a	Thumbscrew		415949G10	1	1							
12	Main Transformer		4A5262-01	1	1							
Refrigeration Circuit												
13	Compressor (A-1 and later utilize external crankcase heater - item 14)		4A4954-02	1	-							
			4A4954-03		1							
14	Crankcase Heater		4A5397-02		1							
15	Receiver		437652-01	1	1							
16	Evaporator		106396G02	1	1							
17	Thermostatic Expansion Valve		4A1414-01	2	2							
18	Thermostatic Expansion Valve Cover		3A0944-01	2	2							
19	Thermostatic Expansion Valve Bulb Holder		3A0107-01	2	2							
20	Clamp		443461-02	2	2							
21	Hot Gas Valve Body		4A3978-01	1	1							
22	Liquid Line Valve Body		4A3276-01	1	1							
23	Valve Coil		4A3277-01	2	2							
24	Check Valve		4A1373-01	2	2							
25	High-Pressure Switch		463180-04	1	1							
26	Thermistor		429006-03	1	1							
27	Thermistor Holder		427430-01	1	1							
28	Strainer		441569-02	1	1							
29	Drier		4A2666-01	1	1							
30	Liquid Line Coupling		433751G01	1	1							
31	Discharge Line Coupling		434136G02	1	1							

B. Water Circuit
KM-901M_H50
 V-0 to E-0

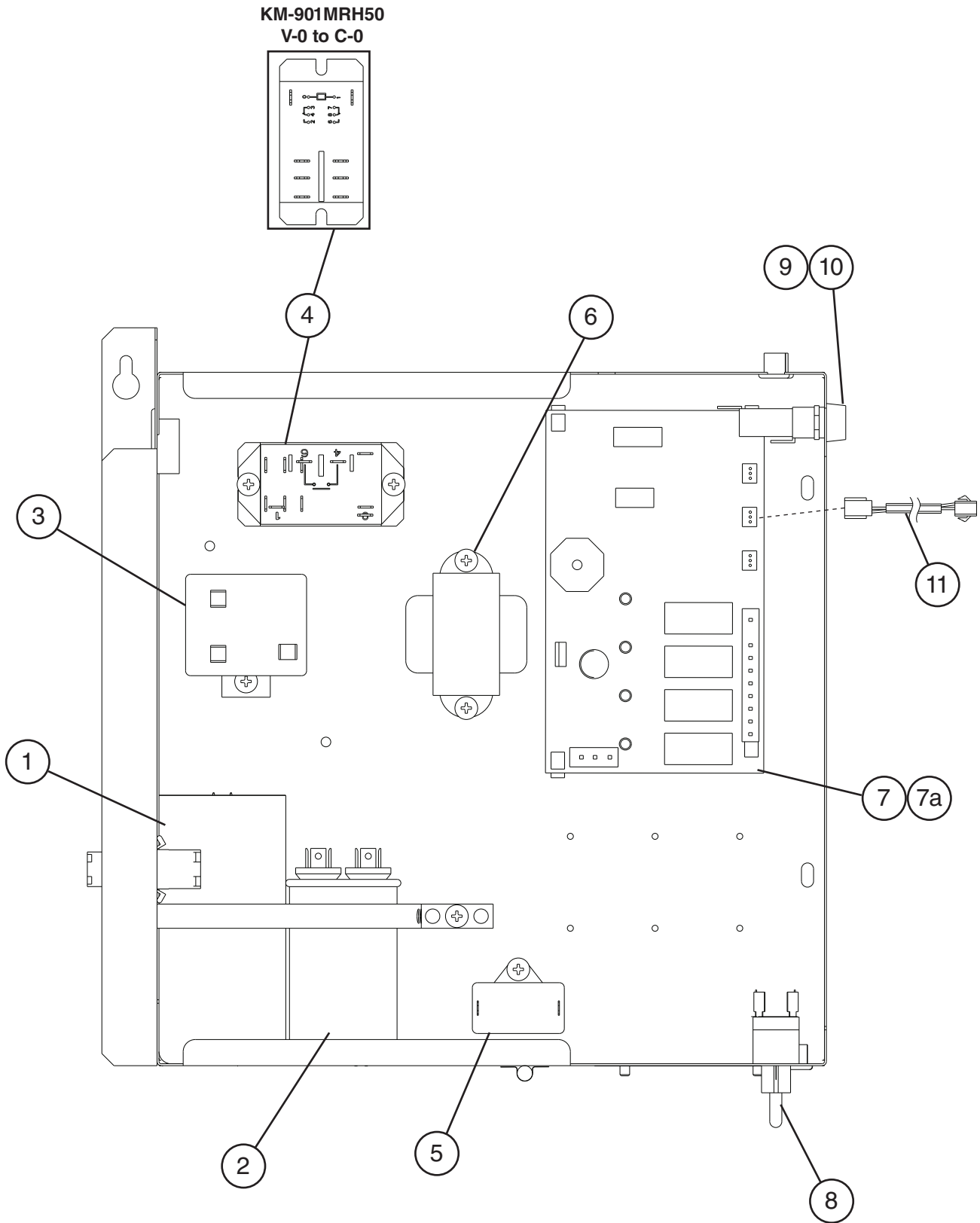


Title: B. Water Circuit Model: KM-901M_H50											
Index No.	Description	Material or Model Number	Part Number	Required Number							
				V-0 to B-0	C-0 to E-0						
1	Pump Motor Assembly (includes items 2 through 8a)	HS-0177	3A2638A02	1	1						
2	Pump Flange		3A2988-01	1	1						
3	Mechanical Seal		465627-01	1	1						
4	Impeller		417082-01	1	1						
5	Pin		4A0648-01	1	1						
6	Pump Gasket		4A2974-01	1	1						
7	Pump Housing		211409-02	1	1						
7a	Screw	4x20	4A3871-01	4	4						
8	Pump Motor Bracket		211408-01	1	1						
9	Water Supply Pipe		4A5216G04	1	1						
10	Water Supply Pipe Fitting Nut		468616-01	1	1						
11	Rubber Gasket		413854-03	1	1						
12	Inlet Water Valve		3U0111-04	1	-						
			4A5251-08		1						
13	Insert Coupling		4A0632-01	1	1						
14	Connecting Pipe		4A1142-01	1	1						
15	Spray Tube		1A0260-02	1	1						
16	Spray Guide		208586-01	6	-						
			2A4282-02		2						
17	Water Supply Tube		2A0079-01	1	1						
18	Float Switch		4A3624-01	1	1						
19	Float Switch Connector		426799-01	1	1						
20	Cube Guide		212088-01	1	1						
21	Drain Valve Housing		321001-01	1	1						
22	Valve Seat		433705-01	1	1						
23	Spring		3A0875-01	1	1						
24	O-Ring		7611-G035	1	1						
25	Overflow Cap		321002-01	1	1						
26	Overflow Pipe		430722-01	1	1						
27	O-Ring		4A1234-01	1	1						
28	Plug		4A0176-01	2	2						
29	Suction Hose		433466-01	1	1						
30	Drain Hose		433468-01	1	1						
31	Rubber Hose		4A1551-01	1	1						
32	Vinyl Hose	L=250 mm	7716-2025	1	1						
33	Vinyl Hose	L=110 mm	7716-2025	1	1						
34	Silicone Hose	L=140 mm	773013812	1	1						
35	Silicone Hose	L=140 mm	773013896	1	1						
Hose Clamps											
	Hose Clamp	16.5 mm	427443-04		1						
	Hose Clamp	18 mm	427443-05	2	1						
	Hose Clamp	23 mm	427443-10	2	2						
	Hose Clamp	25 mm	427443-03	4	4						

C. Control Box Assembly

KM-901M_H50

V-0 to E-0

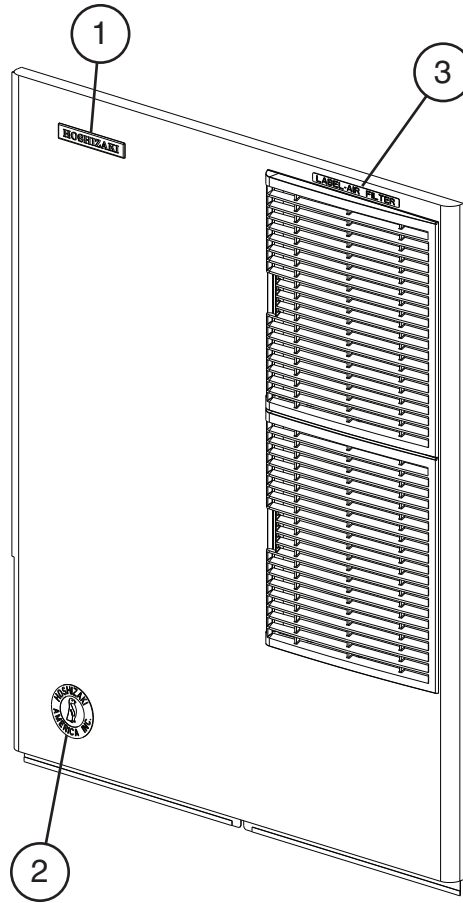


Title: C. Control Box Assembly Model: KM-901M_H50											
Index No.	Description	Material or Model Number	Part Number	Required Number							
				V-0 to C-0	D-0 to E-0						
1	Start Capacitor	130-156MFD, 250VAC	3A4788-01	1	1						
2	Run Capacitor	30MFD, 370VAC	3A2005-03	1	1						
3	Start Relay (Starter)		4A1107-09	1	1						
4	Compressor Relay	KM-901MAH50	4A3140-01	1	1						
		KM-901MRH50	4A5096-01	1	-						
			4A3140-01		1						
5	Pump Motor Capacitor	5.5MFD, 250VAC	443192-03	1	1						
6	Control Transformer		3A0172-01	1	1						
7	"G" Control Board		2A3792-01	1	1						
7a	Board Support		4A0336-03	4	4						
8	Control Switch (toggle)		443119-01	1	1						
9	Fuse Holder		4A5443-01	1	1						
10	Fuse	AGC-10A, 250VAC	4A0893-07	1	1						
11	Bin Control Wire Harness		4A2200G04	1	1						

D. Accessories & Labels

KM-901M_H50

V-0 to E-0



Title: D. Accessories & Labels Model: KM-901M_H50										
Index No.	Description	Material or Model Number	Part Number	Required Number						
				V-0 to D-0 (H)	D-0 (J) E-0					
1	Hoshizaki Emblem Label		4A0560-01	1	1					
2	Penguin Label		4A0526-01	1	1					
3	Air Filter Label	KM-901MAH50	426177-01	1	-					
4	Universal Brace		4A0363-01	2	2					
4a	Hex Bolt	5x12, SS	7B02-0512	2	2					