



HOSHIZAKI

Parts List

Modular Crescent Cuber

Model

KMD-410MAJ



hoshizakiamerica.com

Number: F129-4621
Issued: 09-2024

Auxiliary Codes

KMD-410MAJ	H-1	September 2018
KMD-410MAJ	L-1	December 2021

Auxiliary Code Breakdown

The auxiliary code is the first two characters in the serial number. The first character indicates the year. Years progress or regress in alphabetical order. The series runs from "A" through "V" and the letters "I" and "O" are skipped. The second character indicates significant part changes within a year. Base is "0" and this number advances for each change. In cases where there is a letter in parentheses, this designates the month. This is the last character in the serial number. The series runs from "(A)" through "(M)" and the letter "(I)" is skipped. This designation is only included when identifying a parts change within an auxiliary code.

Note About Ordering Parts

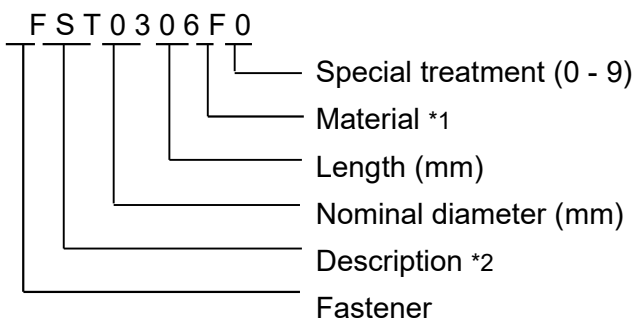
Most assemblies cannot be ordered as complete units; parts in the assemblies generally must be ordered separately.

MARKS LOCATED UNDER THE AUXILIARY CODE

- = Part deleted.

FASTENER PART NUMBER

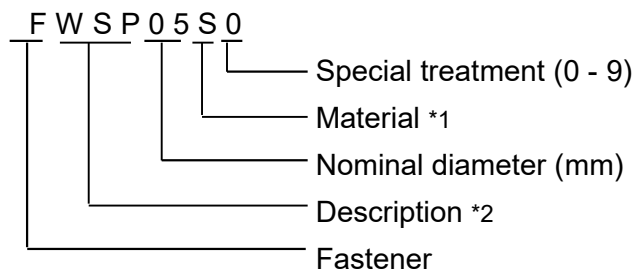
SCREWS



*1

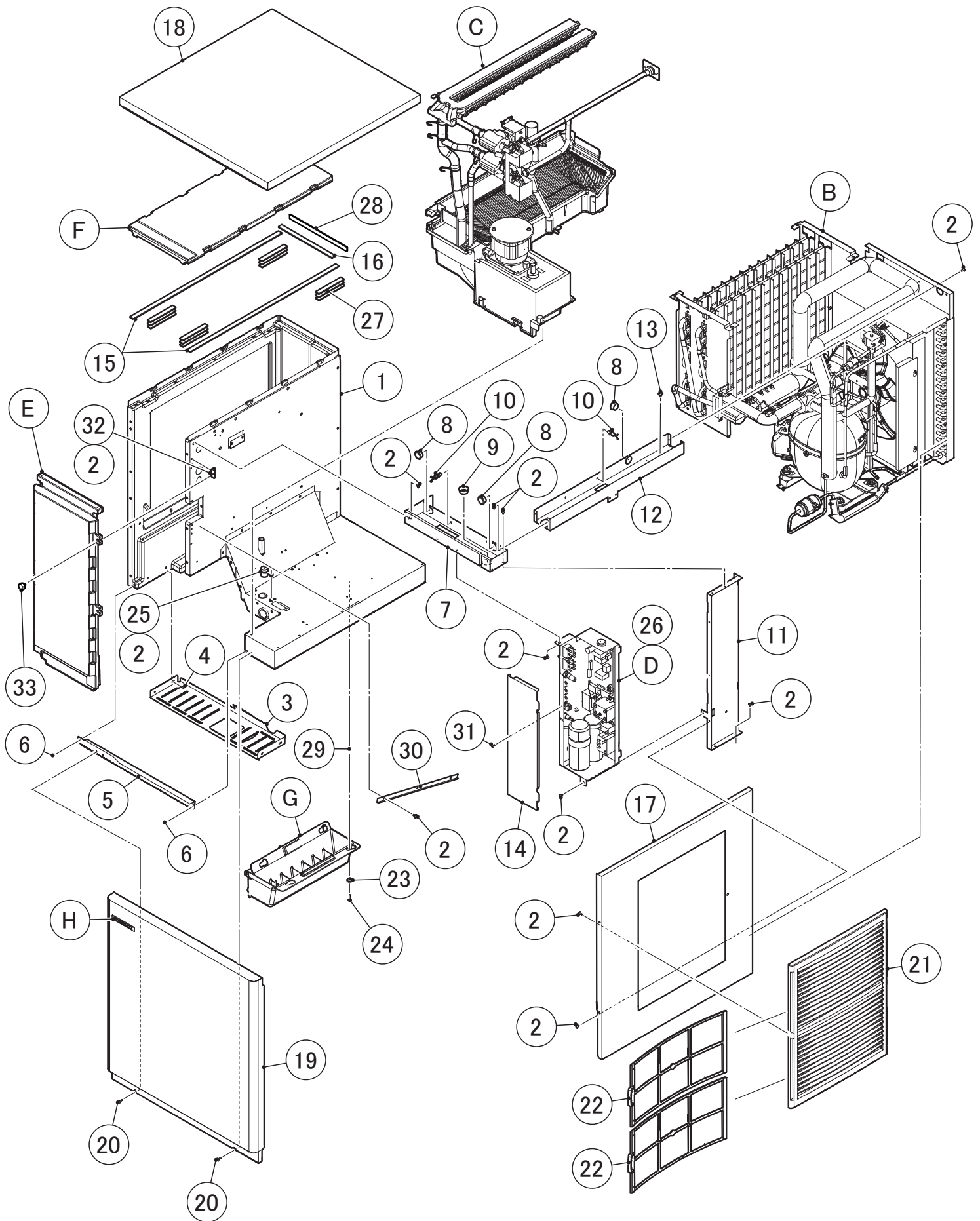
F: Steel
S: Austenitic stainless steel
M: Martensitic stainless steel
B: Copper alloy
P: Polycarbonate
N: Polyamide
V: PVC
A: ABS
X: Polyacetal
L: Aluminum

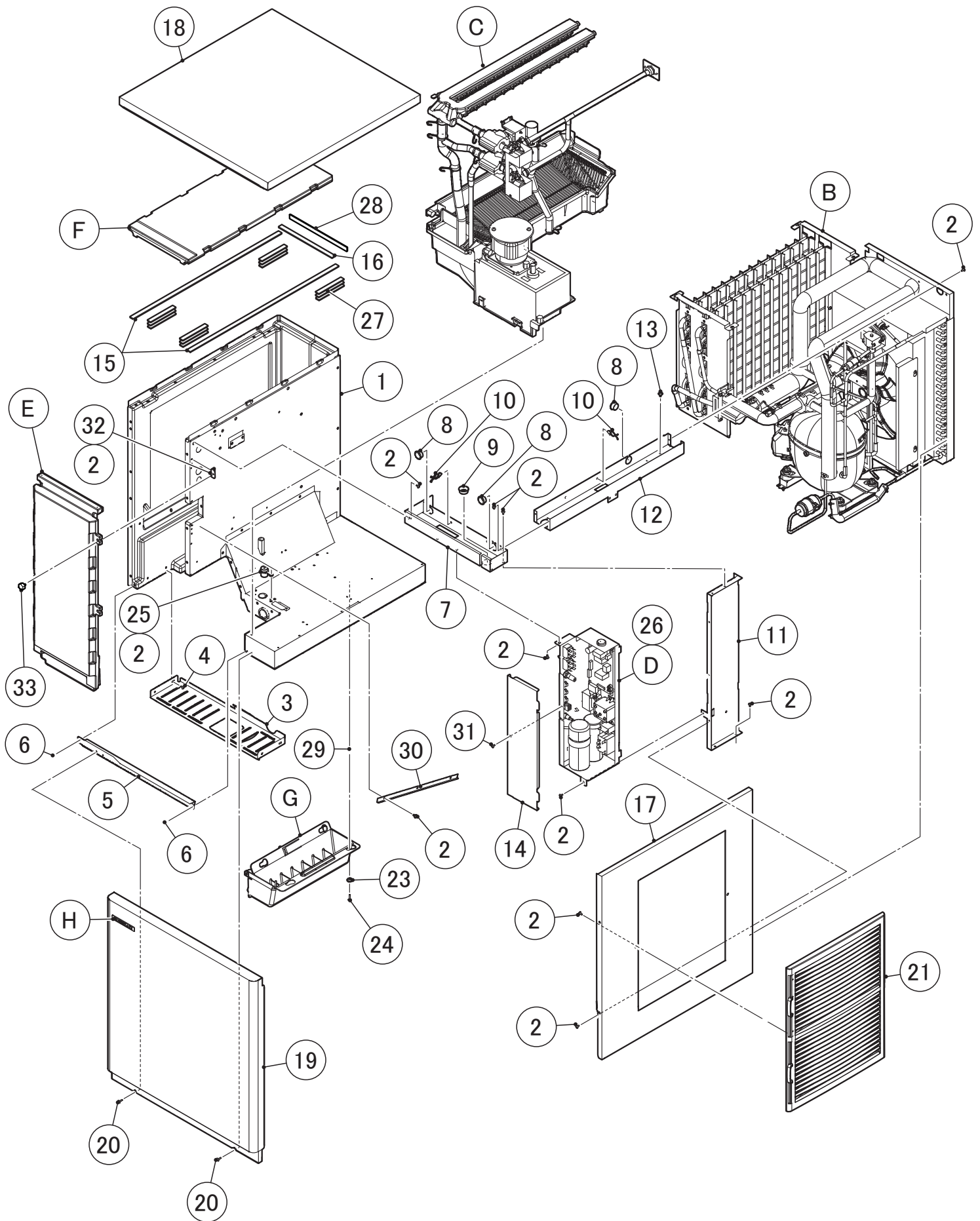
NUTS & WASHERS



*2

First letter
S: Machine screw
T: Tapping screw
M: Wood screw
B: Bolt
W: Washer
N: Nut



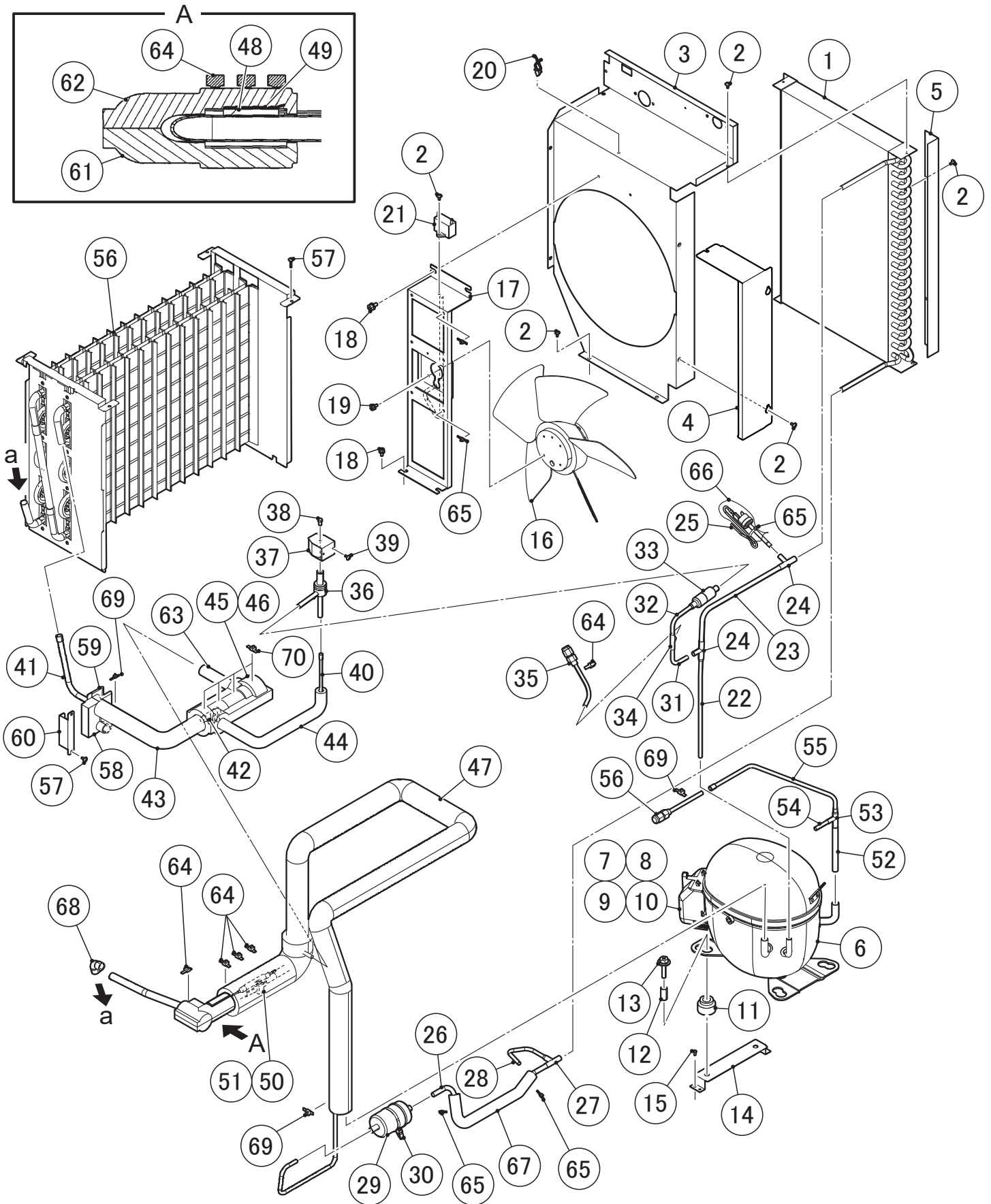


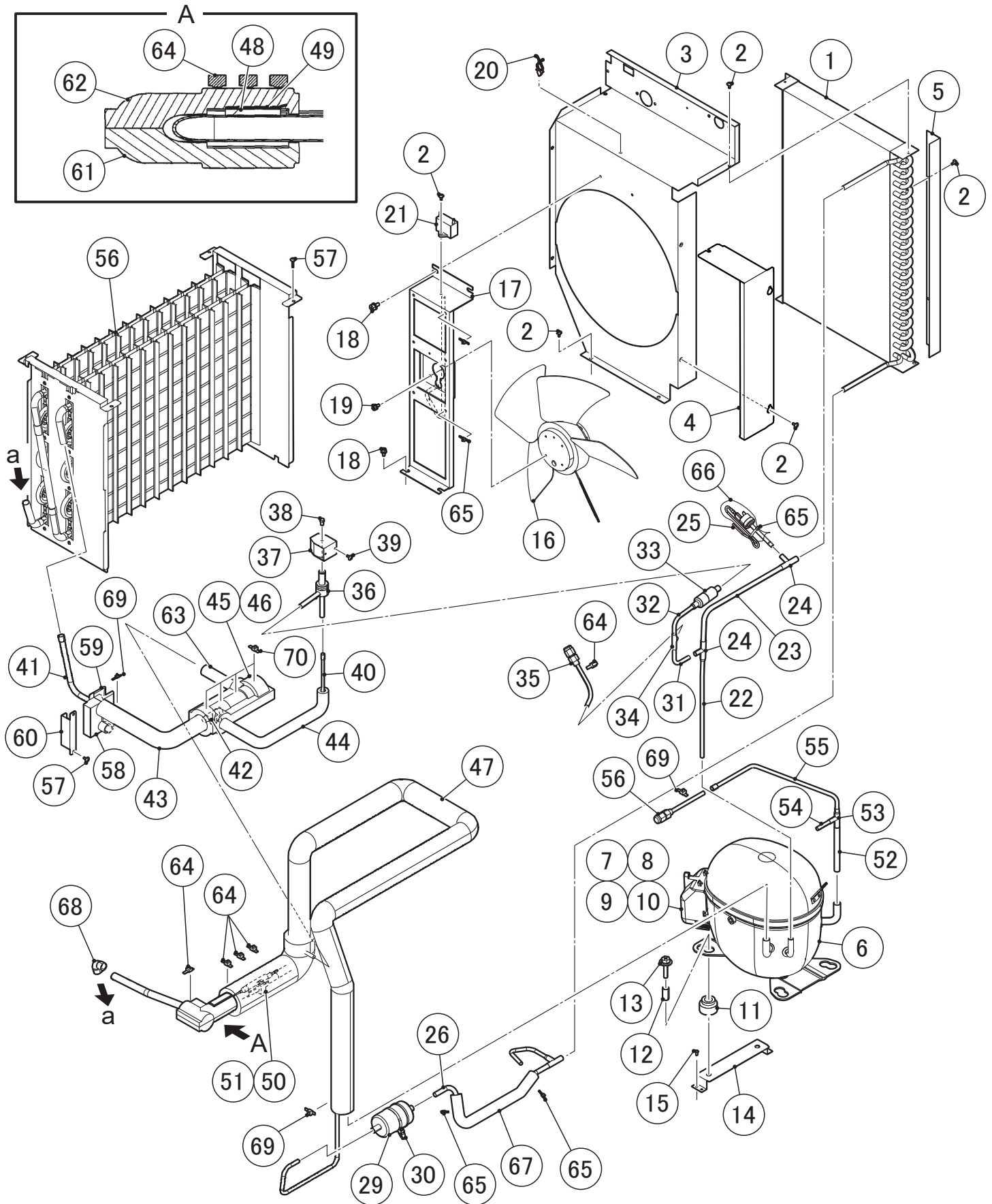
HA

MODEL: KMD-410MAJ				TITLE: A. ICE CUBER ASSY			
INDEX NO.	DESCRIPTION	MATERIAL OR MODEL NUMBER	PART NUMBER	REQ'D NUMBER			
				H-1,L-0	L-1		
B	REFRIGERATION CIRCUIT	F129	-	1	1		
		F129-D001	-	1	1		
C	WATER CIRCUIT	F129	-	1	1		
		F129-D001	-	1	1		
D	CONT. BOX ASSY		-	1	1		
E	FRONT INSULATION ASSY		388861A01	1	1		
F	TOP INSULATION ASSY		374537A01	1	1		
G	BIN SWITCH		-	1	1		
H	LABEL LOCATION		-	1	1		
K	ACCESSORIES		-	1	1		
M	OPTIONAL PARTS		-	1	1		
1	EVAP. CASE	F129	127328G07	1	1		
		F129-D001	127328G15	1	1		
2	T2 TRUSS HEAD SCREW	F129	FT20408F0	22	22		
		F129-D001	FT20408F0	7	7		
3	BOTTOM FRAME		275771M01	1	1		
4	T2 TRUSS HEAD SCREW		FT20408M0	4	4		
5	FRONT FRAME		388187G01	1	1		
6	TRUSS HEAD SCREW	F129	FST0408S0	6	5		
		F129-D001	FST0408S0	21	20		
7	TOP FRAME		371867M02	1	1		
8	BUSHING		428394-05	3	3		
9	BUSHING		428394-01	1	1		
10	CLAMP		427902-03	3	3		
11	SIDE FRAME (A)	F129	371873M01	1	1		
		F129-D001	371873M02	1	1		
12	SIDE FRAME (B)		371866M02	1	1		
13	SCREW - GROUNDING		433304-02	1	1		
14	CONT. BOX COVER		371874M01	1	1		
15	GASKET		127638Z01	2	2		
16	GASKET		127638Z02	1	1		

HA

MODEL: KMD-410MAJ		TITLE: A. ICE CUBER ASSY					
INDEX NO.	DESCRIPTION	MATERIAL OR MODEL NUMBER	PART NUMBER	REQ'D NUMBER			
				H-1,L-0	L-1		
17	SIDE PANEL (R)		255966G07	1	-		
	SIDE PANEL (R1)		255966M11	-	1		
18	TOP PANEL		274705M02	1	1		
19	FRONT PANEL		373166G01	1	1		
20	TRUSS HEAD SCREW		FST0420S0	2	2		
21	LOUVER ASSY		3C0589A01	0	1		
	LOUVER		120457P01	1	0		
	AIR FILTER		258589G01	2	0		
23	COLLAR		435269-01	4	4		
24	T2 TRUSS HEAD SCREW		FT20416M0	4	4		
25	HOLE PLUG		373078R01	1	1		
26	WIRE HARNESS		373139Z01	1	1		
27	GASKET		127638Z03	12	12		
28	GASKET		127638Z04	1	1		
29	FLAT WASHER		FWPL04S0	4	4		
30	PLATE - SIDE PANEL	F129	379577M01	1	1		
		F129-D001	379577M02	1	1		
31	PAN HEAD SCREW SW		FSK0412S0	1	5		
32	BRACKET (A) - INSULATION	F129	484783M01	2	2		
		F129-D001	484783M02	2	2		
33	THUMB SCREW		415949G13	4	4		





HA

MODEL: KMD-410MAJ				TITLE: B. REFRIGERATION CIRCUIT			
INDEX NO.	DESCRIPTION	MATERIAL OR MODEL NUMBER	PART NUMBER	REQ'D NUMBER			
				H-1,L-0	L-1		
1	CONDENSER		P00815-01	1	1		
2	T2 TRUSS HEAD SCREW	F129	FT20408F0	17	17		
		F129-D001	FT20408F0	13	12		
3	SHROUD		255968M02	1	1		
4	FAN BLADE COVER		390094M01	1	1		
5	BARRIER		371872M01	1	1		
6	COMPRESSOR	NT6217GKV 115V 60Hz	P01550-01	1	1		
7	TERMINAL COVER	COMP. ACCESSORY	P02814-01	1	1		
8	PROTECTOR	COMP. ACCESSORY	P01552-01	1	1		
9	PROTECTOR RETAINER	COMP. ACCESSORY	P02815-01	1	1		
10	SCREW	COMP. ACCESSORY	P00840-01	1	1		
11	GROMMET	COMP. ACCESSORY	P00846-01	4	4		
12	SPACER	COMP. ACCESSORY	P00847-01	4	4		
13	BOLT	M8X35	436206-03	4	4		
14	COMP. MOUNT		371868G01	2	2		
15	RIVET	SSD43SSBS	7170-0005	8	8		
16	FAN MOTOR	A4E300-AU26-07	P02596-01	1	1		
17	FAN MOTOR BRACKET		371870G01	1	1		
18	HEX HEAD BOLT W/WASHER [SW]	5X10 SUS	FBK0510S0	4	4		
19	HEX HEAD BOLT W/WASHER [SW]	4X8 SUS	FBK0408S0	3	3		
20	CLAMP	No. 249	427902-03	1	1		
21	CAPACITOR	UJ22B605UEF	443158-02	1	1		
22	COPPER TUBE (A1) - HIGH SIDE	COPPER TUBE (A) - HIGH SIDE 371884G01	371884M01	1	1		
23	COPPER TUBE (A2) - HIGH SIDE	COPPER TUBE (A) - HIGH SIDE 371884G01	371884M02	1	1		
24	TEE	COPPER TUBE (A) - HIGH SIDE 371884G01	420041-02	1	1		
25	PRESSURE SWITCH		P05220-04	1	1		

HA

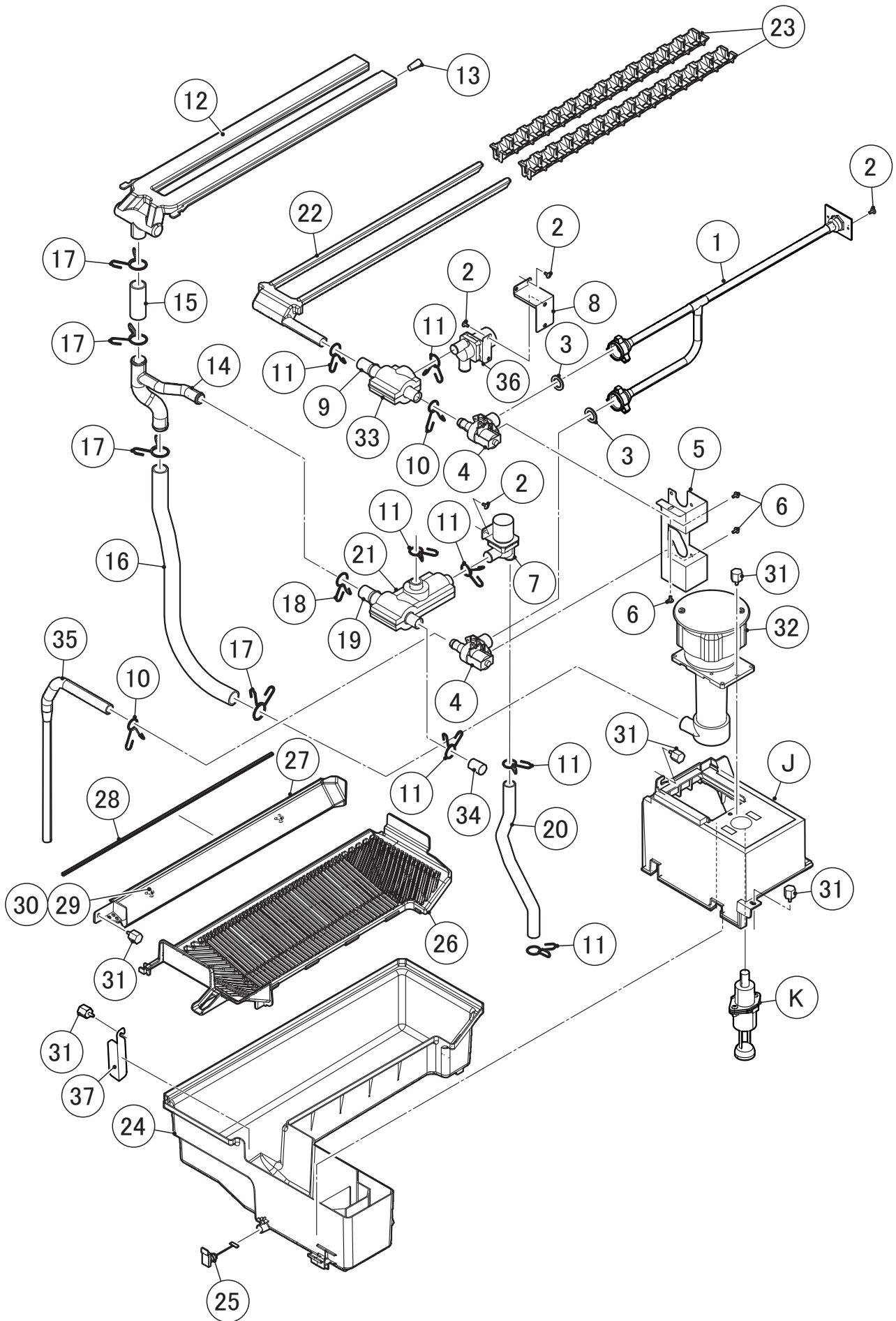
MODEL: KMD-410MAJ				TITLE: B. REFRIGERATION CIRCUIT			
INDEX NO.	DESCRIPTION	MATERIAL OR MODEL NUMBER	PART NUMBER	REQ'D NUMBER			
				H-1,L-0	L-1		
26	COPPER TUBE (B1) - HIGH SIDE	COPPER TUBE (B) - HIGH SIDE 255971G01	255971M01	1	-		
	TEE	COPPER TUBE (B) - HIGH SIDE 255971G01	420041-11	1	-		
	COPPER TUBE (B2) - HIGH SIDE	COPPER TUBE (B) - HIGH SIDE 255971G01	255971M03	1	-		
	COPPER TUBE (B) - HIGH SIDE		255971G01	-	1		
29	DRIER	DML032.5s	P02070-01	1	-		
			P05348-01	-	1		
30	TIE	T50RSF	436156-02	1	1		
31	COPPER TUBE (D1) - HIGH SIDE	COPPER TUBE (D) - HIGH SIDE 371885G01	371885M01	1	1		
32	COPPER TUBE (D2) - HIGH SIDE	COPPER TUBE (D) - HIGH SIDE 371885G01	371885M02	1	1		
33	STRAINER	COPPER TUBE (D) - HIGH SIDE 371885G01	P00812-01	1	1		
34	TEE	COPPER TUBE (D) - HIGH SIDE 371885G01	417394-01	1	1		
35	ACCESS VALVE	TCJ-2F20NHDU-1	457729-01	2	2		
36	VALVE BODY	ATS-B7SHDU-2	4A3978-01	1	1		
37	COIL-VALVE	AMS-C12HDU-3	4A3277-01	1	-		
	HOT GAS VALVE COIL-HARNES		3C0334G01	-	1		
38	BOLT	M4X8	4A3277F01	1	1		
39	TRUSS HEAD SCREW	F129	FST0408S0	2	2		
		F129-D001	FST0408S0	9	8		
40	COPPER TUBE (E1) - HOT GAS	COPPER TUBE (E) - HOT GAS 388846G01	371878M01	1	1		

HA

MODEL: KMD-410MAJ				TITLE: B. REFRIGERATION CIRCUIT			
INDEX NO.	DESCRIPTION	MATERIAL OR MODEL NUMBER	PART NUMBER	REQ'D NUMBER			
				H-1,L-0	L-1		
41	COPPER TUBE (E2) - HOT GAS	COPPER TUBE (E) - HOT GAS 388846G01	388845M01	1	1		
42	TEE	COPPER TUBE (E) - HOT GAS 388846G01	420335-01	1	1		
43	INSULATION TUBE	COPPER TUBE (E) - HOT GAS 388846G01 L=300	H71030300	1	1		
44	INSULATION TUBE	COPPER TUBE (E) - HOT GAS 388846G01 L=360	H71020360	1	1		
45	EXPANSION VALVE		4A1414-02	1	1		
46	EXPANSION VALVE COVER		3A0944-01	1	1		
47	HEAT EXCHANGER		276950G01	1	1		
48	THERMISTOR	NBFC-36-H60-1	P00027-01	1	1		
49	HOLDER - THERMISTOR		427430-01	1	1		
50	HOLDER - EXP. VALVE 3/8		3C0058M01	1	1		
51	CLAMP		443461-02	1	1		
52	COPPER TUBE (F1) - ACCESS VALVE	COPPER TUBE (F) - ACCESS VALVE 371877G01	371877M01	1	1		
53	TEE	COPPER TUBE (F) - ACCESS VALVE 371877G01	417394-01	1	1		
54	COPPER TUBE (F2) - ACCESS VALVE	COPPER TUBE (F) - ACCESS VALVE 371877G01	371877M03	1	1		
55	COPPER TUBE (F3) - ACCESS VALVE	COPPER TUBE (F) - ACCESS VALVE 371877G01	371877M04	1	1		
56	EVAPORATOR ASSY		276955G01	1	1		
57	T2 TRUSS HEAD SCREW	F129	FT20408M0	2	2		
		F129 F129-D001	FT20416M0	4	4		

HA

MODEL: KMD-410MAJ		TITLE: B. REFRIGERATION CIRCUIT					
INDEX NO.	DESCRIPTION	MATERIAL OR MODEL NUMBER	PART NUMBER	REQ'D NUMBER			
				H-1,L-0	L-1		
58	RUBBER INSULATION (B)		3C0066R01	1	1		
59	RUBBER INSULATION (A)		3C0067R01	1	1		
60	INSULATION HOLDER		473043M01	1	1		
61	INSULATION - THERMISTOR (A)		439368-01	1	1		
62	INSULATION - THERMISTOR (B)		439368-02	1	1		
63	INSULATION TUBE	L=90	H71020290	1	1		
64	NYLON TIE	CV-200	7920-0010	14	12		
65	TIE	CV-100	7920-0002	7	5		
66	BAG		485815P01	1	1		
67	INSULATION TUBE	L=300	H71020300	1	1		
68	ELBOW		417395-03	1	1		
69	TIE		7920-0003	-	3		
70	NYLON TIE	CV-250	7920-0011	-	-		

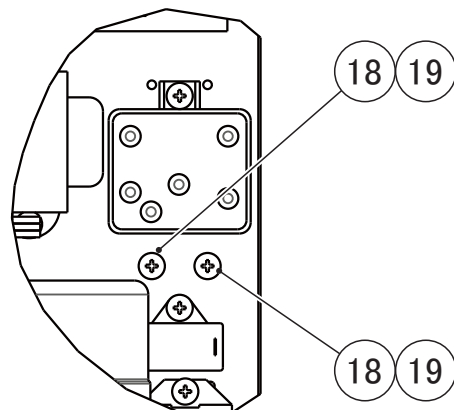
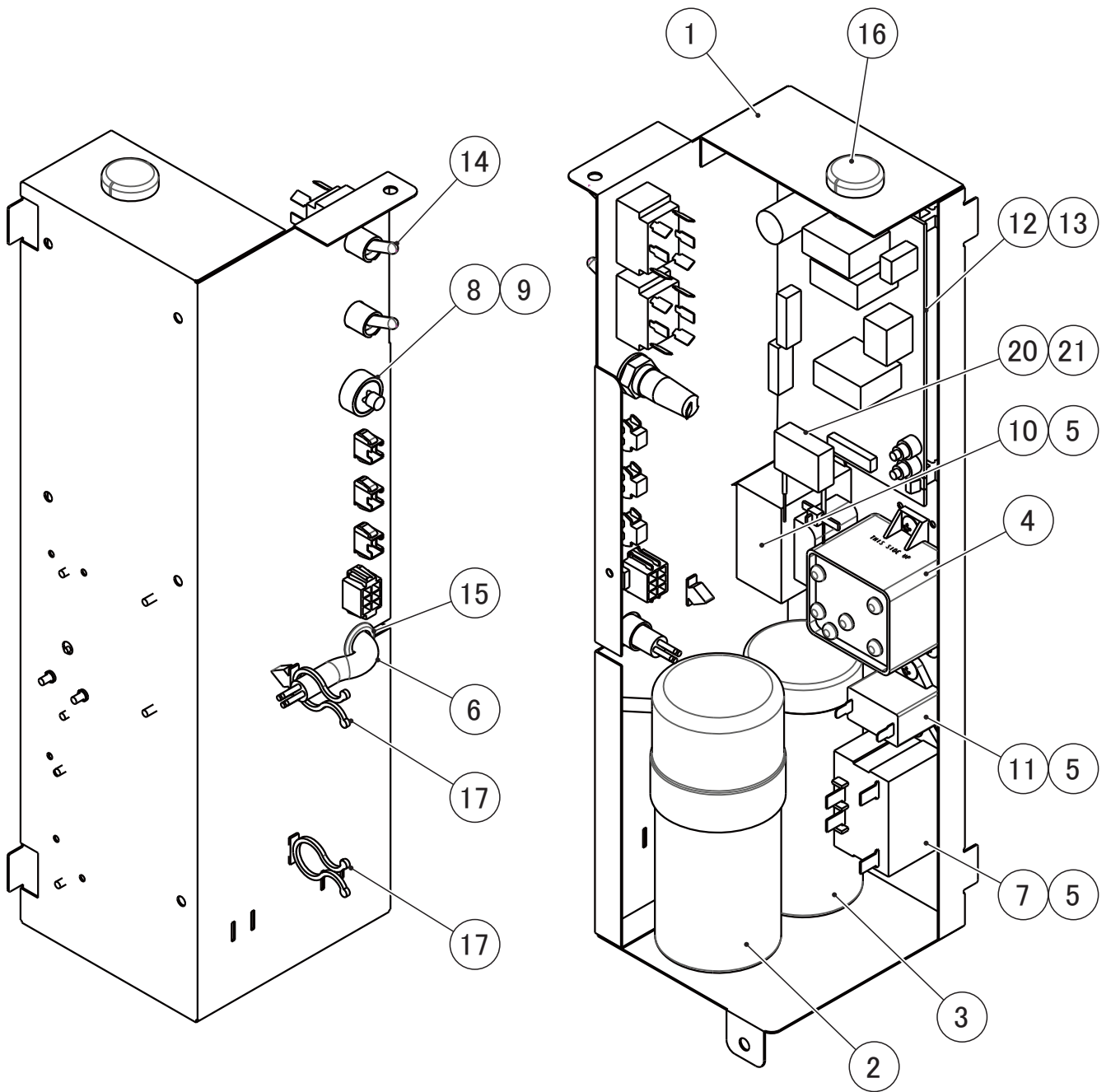


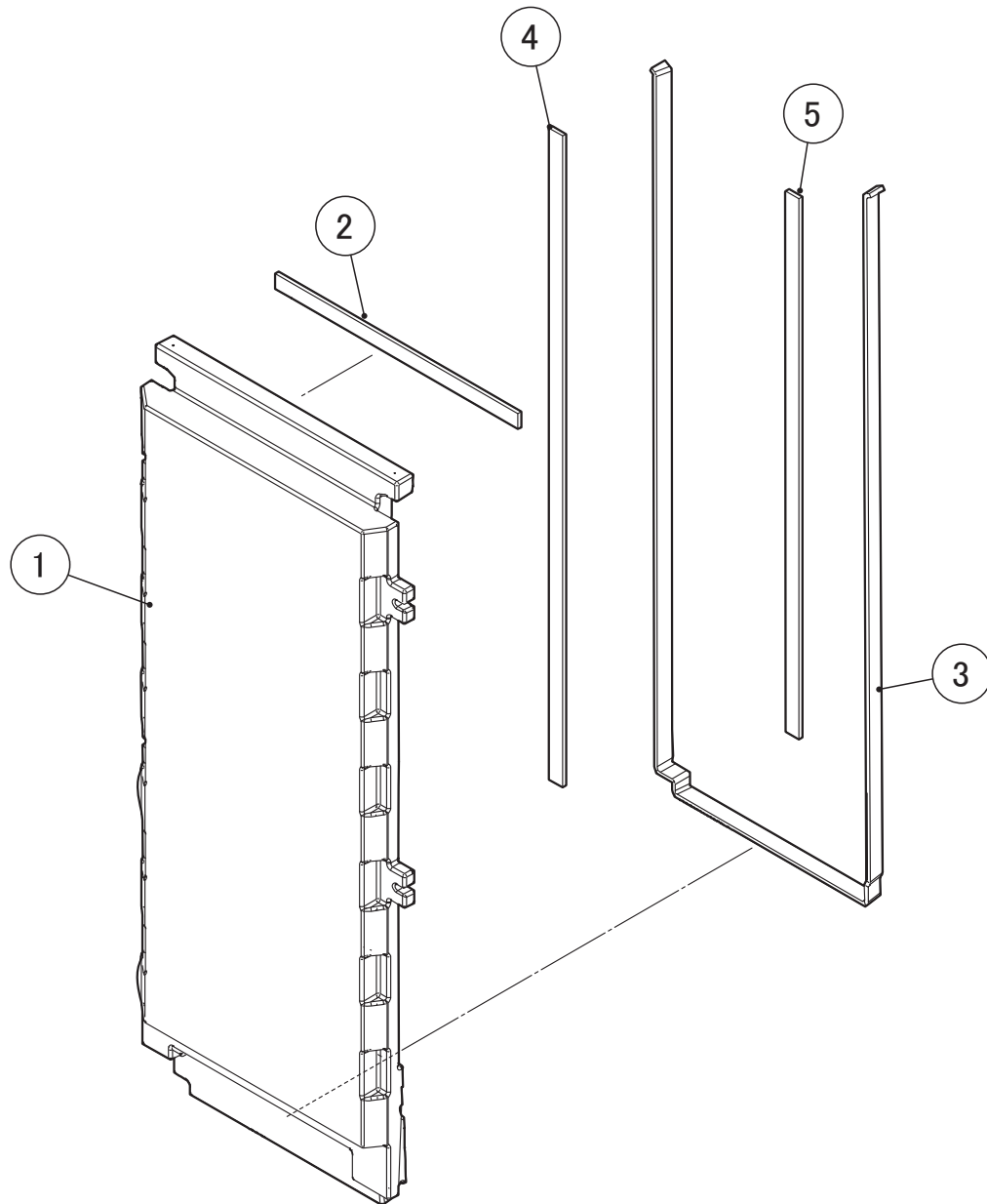
HA

MODEL: KMD-410MAJ				TITLE: C. WATER CIRCUIT ASSY			
INDEX NO.	DESCRIPTION	MATERIAL OR MODEL NUMBER	PART NUMBER	REQ'D NUMBER			
				H-1,L-0	L-1		
J	PUMP BRACKET ASSY		388856A01	1	1		
K	FLOAT SW. ASSY		389075A01	1	1		
1	WATER SUPPLY PIPE		371882G02	1	1		
2	T2 TRUSS HEAD SCREW	F129	FT20408F0	1	9		
		F129-D001	FT20408F0	5	5		
3	RUBBER GASKET		413854-03	2	2		
4	WATER VALVE		P01559-01	2	-		
			4C0227G01	-	2		
5	WATER VALVE BRACKET		371875G02	1	1		
6	TRUSS HEAD SCREW	F129	FST0408S0	4	5		
		F129-D001	FST0408S0	8	8		
7	SOLENOID VALVE	FDC-90-02-115	P00018-02	2	-		
	DRAIN VALVE (G)		3C0351G01	-	1		
8	BRACKET - NSF VALVE		474226M01	1	1		
9	TEE		371167R01	1	1		
10	HOSE CLAMP		P02909-04	2	2		
11	HOSE CLAMP		P02909-05	7	7		
12	SPRAY TUBE		127382P01	1	1		
13	PLUG		4C0037R01	2	2		
14	CONNECTING PIPE		388309P01	1	1		
15	SILICONE HOSE	Φ20XΦ 25(CLEAR)L=60	H12025060	1	1		
16	SILICONE HOSE	Φ20XΦ 25(CLEAR)L=465	H12025465	1	1		
17	HOSE CLAMP		C06092-01	4	4		
18	HOSE CLAMP		P02909-06	1	1		
19	BYPASS HOSE		371165R01	1	1		
20	SILICONE HOSE	Φ15XΦ 19(CLEAR)L=340	H11519340	1	1		
21	BYPASS INSULATION		371169Z01	1	1		

HA

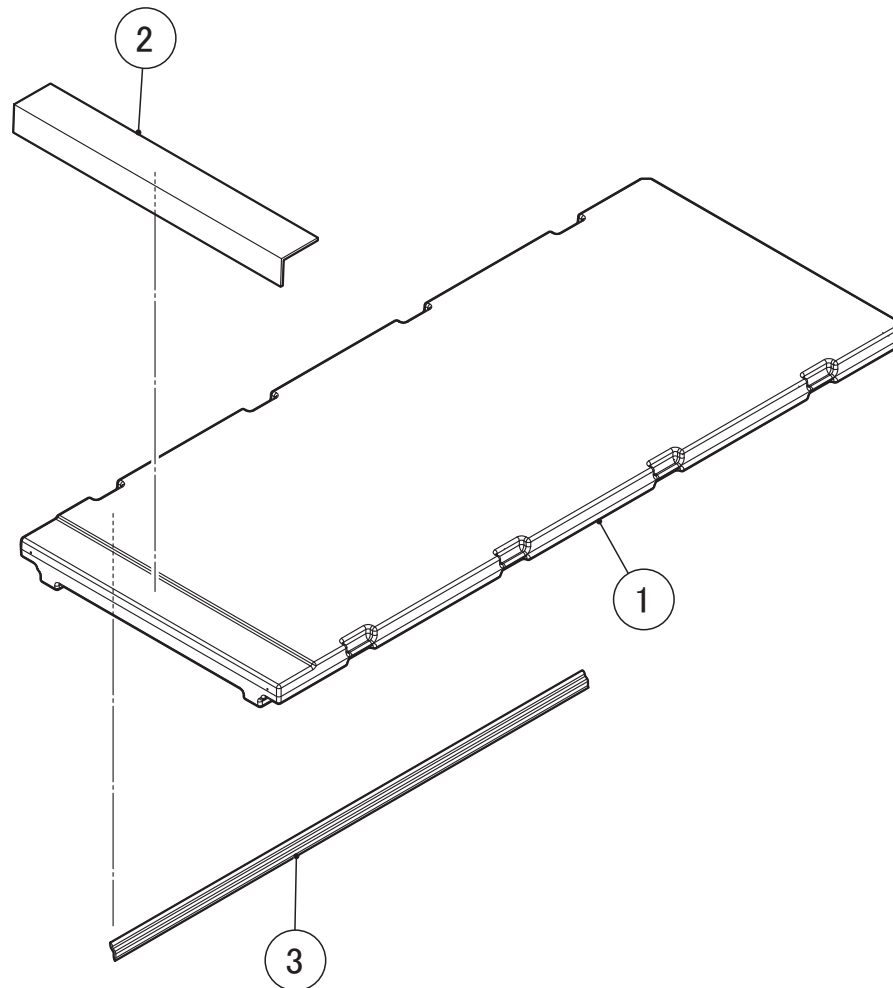
MODEL: KMD-410MAJ		TITLE: C. WATER CIRCUIT ASSY					
INDEX NO.	DESCRIPTION	MATERIAL OR MODEL NUMBER	PART NUMBER	REQ'D NUMBER			
				H-1,L-0	L-1		
22	WATER SUPPLY TUBE		276018P01	1	1		
23	SPRAY GUIDE		252052P03	2	2		
24	WATER TANK		127337P01	1	1		
25	DRAIN CAP		371168G01	1	1		
26	CUBE GUIDE		118904P01	1	1		
27	DEFLECTOR (L)		255250P01	1	1		
28	GASKET		371166R01	1	1		
29	COLLAR		435269-01	2	2		
30	T2 SCREW	4X16 SUS	FT20416M0	2	2		
31	THUMBSCREW		415949G12	4	5		
32	PUMP MOTOR		391582G01	1	1		
33	INLET INSULATION		373079Z01	1	1		
34	PLUG		472567P01	1	1		
35	WATER SUPPLY PIPE (B)		484865P01	1	1		
36	DRAIN VALVE (G)		3C0351G02	-	1		
37	BARRIER - KMD		487742M01	-	1		





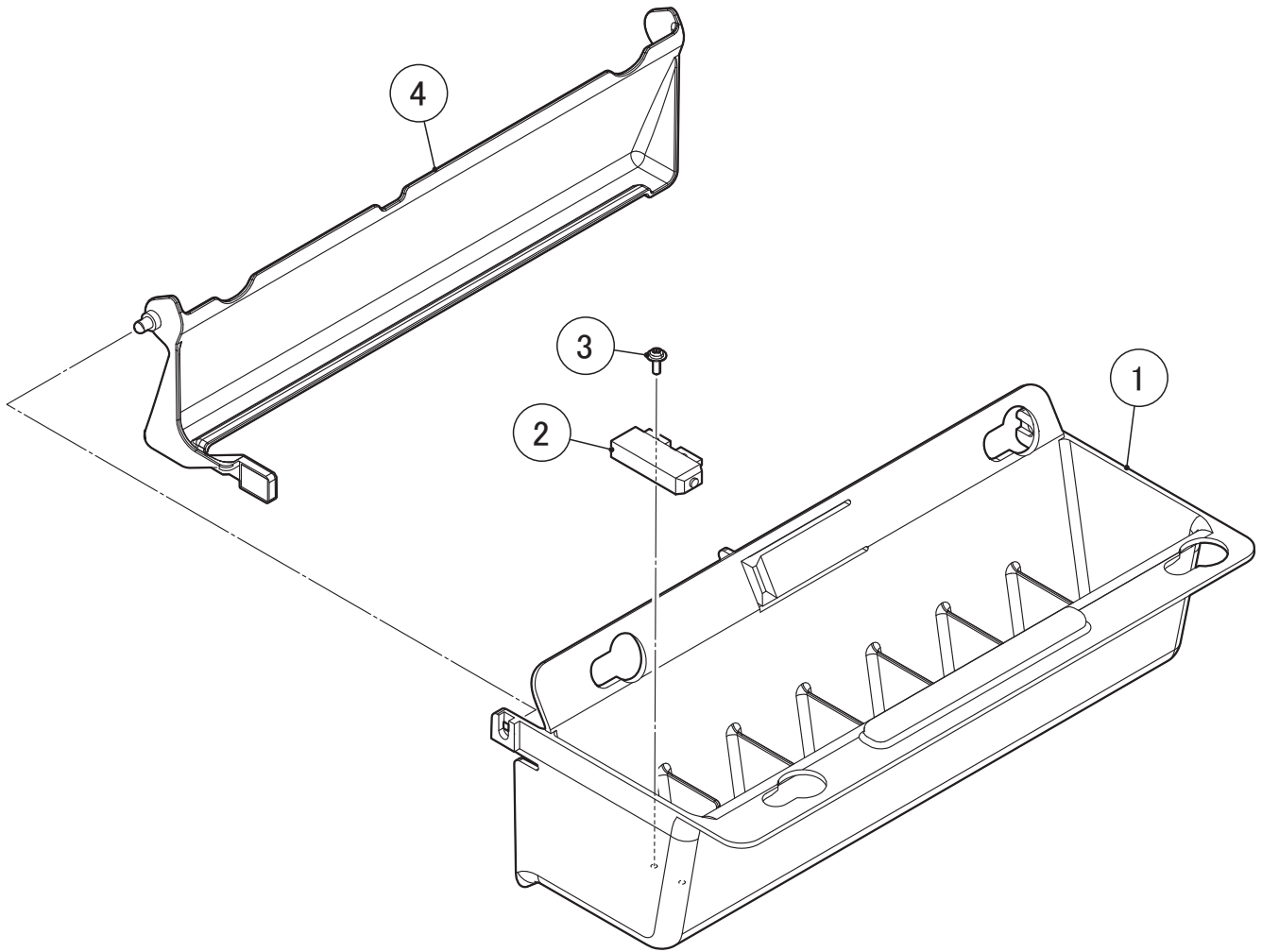
HA

MODEL: KMD-410MAJ		TITLE: E. FRONT INSULATION ASSY					
INDEX NO.	DESCRIPTION	MATERIAL OR MODEL NUMBER	PART NUMBER	REQ'D NUMBER			
				H-1,L-0	L-1		
1	FRONT INSULATION		275773G01	1	1		
2	GASKET		388861Z02	1	1		
3	GASKET		388861Z03	1	1		
4	GASKET		388861Z04	1	1		
5	GASKET		388861Z05	1	1		



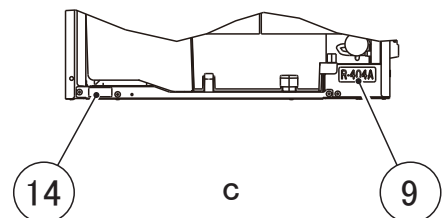
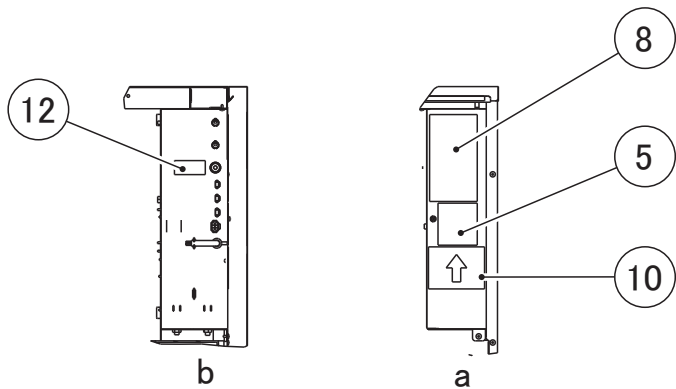
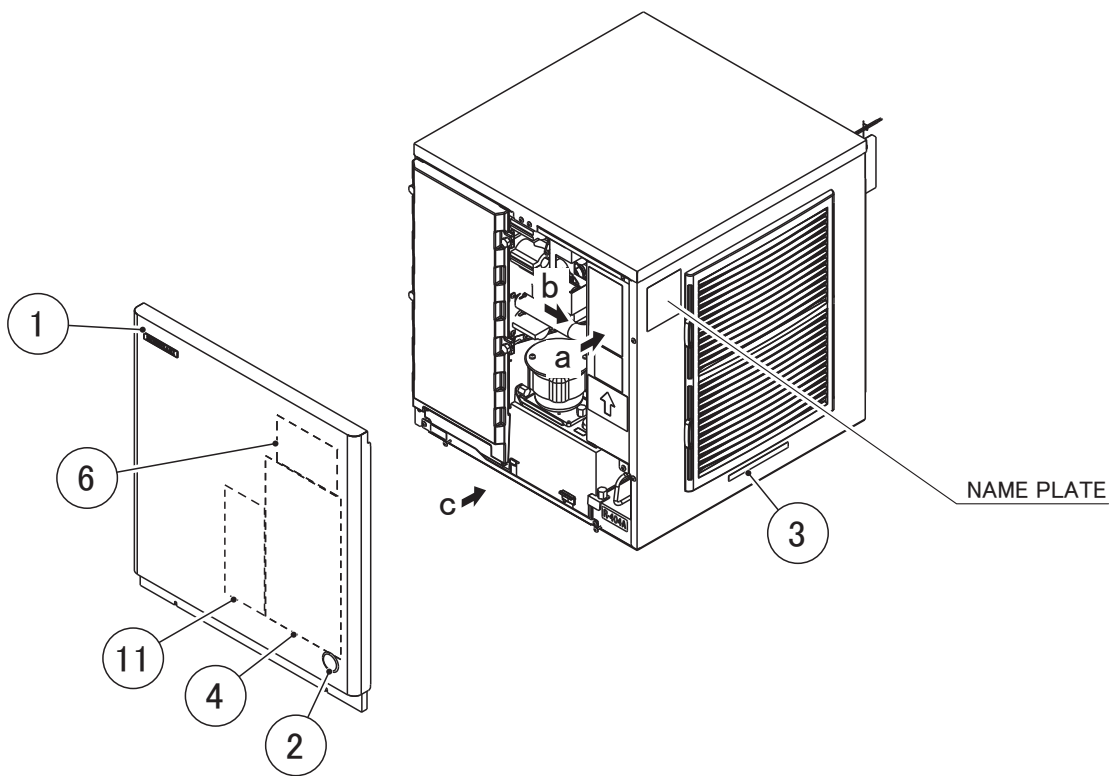
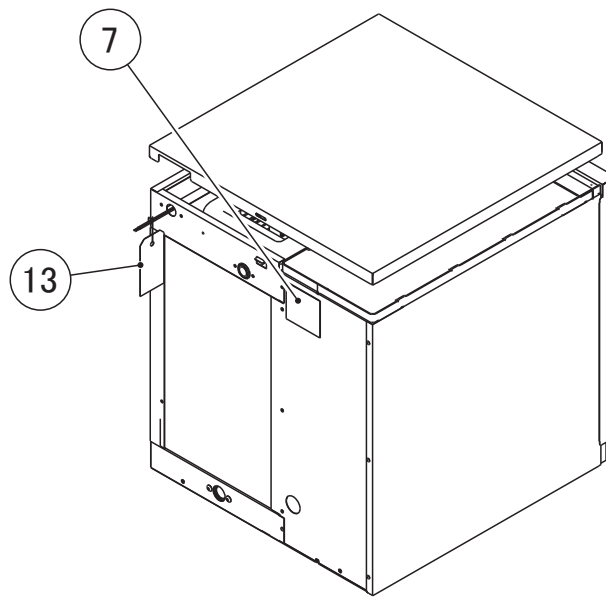
HA

MODEL: KMD-410MAJ		TITLE: F. TOP INSULATION ASSY					
INDEX NO.	DESCRIPTION	MATERIAL OR MODEL NUMBER	PART NUMBER	REQ'D NUMBER			
				H-1,L-0	L-1		
1	TOP INSULATION		255254G01	1	1		
2	INSULATION		473041Z01	1	1		
3	GASKET		374537Z03	1	1		



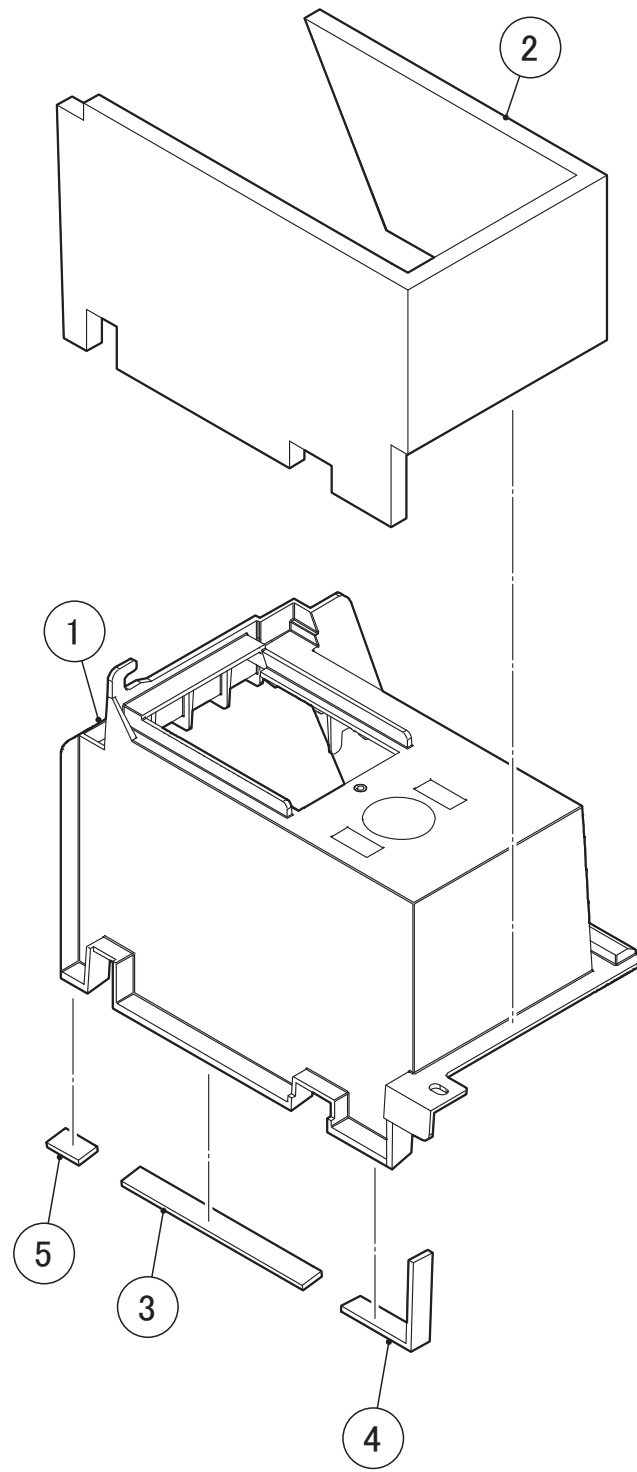
HA

MODEL: KMD-410MAJ		TITLE: G. BIN SWITCH					
INDEX NO.	DESCRIPTION	MATERIAL OR MODEL NUMBER	PART NUMBER	REQ'D NUMBER			
				H-1,L-0	L-1		
1	SWITCH HOUSING		255248P01	1	1		
2	REED SWITCH		P02304-04	1	1		
3	TAPPING SCREW		431415-03	2	2		
4	DETECTOR		371158G01	1	1		



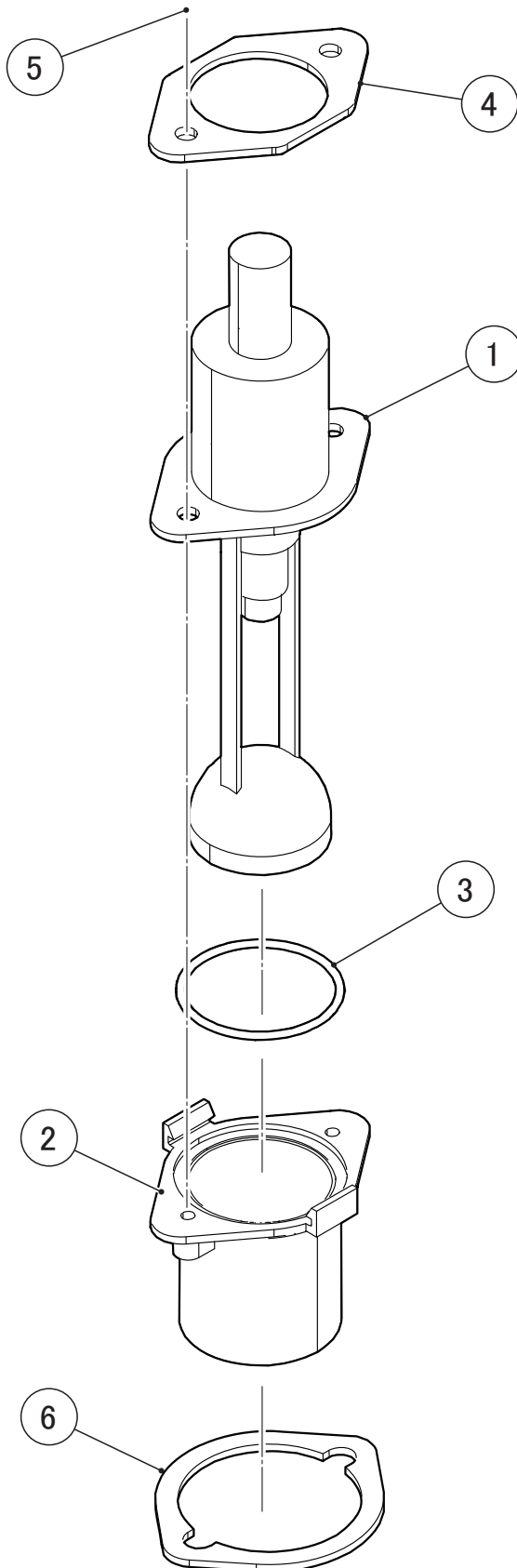
HA

MODEL: KMD-410MAJ				TITLE: H. LABEL LOCATION			
INDEX NO.	DESCRIPTION	MATERIAL OR MODEL NUMBER	PART NUMBER	REQ'D NUMBER			
				H-1,L-0	L-1		
1	EMBLEM		456245-01	1	1		
2	LABEL - PENGUIN		468184-01	1	1		
3	LABEL - AIR FILTER		426177-01	1	1		
4	MAINTENANCE LABEL		276974L01	1	1		
5	CAUTION LABEL - SERVICE		471180L01	1	1		
6	WIRING LABEL		373135L01	1	1		
7	INSTRUCTION LABEL		472709L01	1	1		
8	MANUAL LABEL		371379L01	1	1		
9	LABEL/R-404A		453230-01	1	1		
10	LABEL - ALARM		370310L01	1	1		
11	LABEL - CONTROL BOARD		370605L01	1	1		
12	LABEL - FUSE		472712L01	1	1		
13	TAG - WARNING ELECT CONNECTION		4C0205L01	1	1		
14	LABEL-FRONT FRAME		484959L01	1	1		



HA

MODEL: KMD-410MAJ		TITLE: J. PUMP BRACKET ASSY					
INDEX NO.	DESCRIPTION	MATERIAL OR MODEL NUMBER	PART NUMBER	REQ'D NUMBER			
				H-1,L-0	L-1		
1	PUMP BRACKET		127338G01	1	1		
2	PM BRACKET INSULATION		388191P01	1	1		
3	GASKET		388856Z01	1	1		
4	GASKET		388856Z02	1	1		
5	GASKET		388856Z03	1	1		

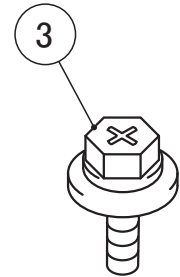
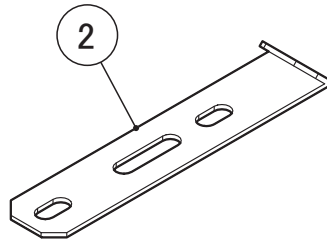
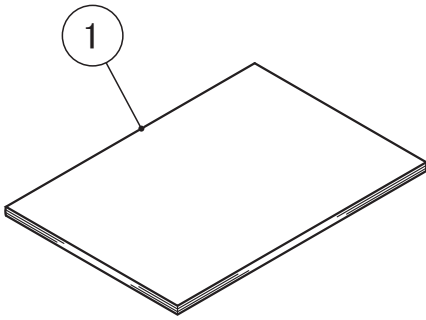


	No.4	No.6
Larger ice	2	0
Normal ice	1	1
Small ice	0	2

* The above may be factory adjusted.
See service manual for details.

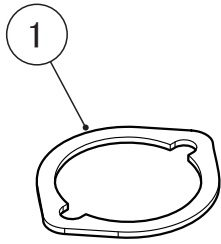
HA

MODEL: KMD-410MAJ		TITLE: K. FLOAT SW. ASSY					
INDEX NO.	DESCRIPTION	MATERIAL OR MODEL NUMBER	PART NUMBER	REQ'D NUMBER			
				H-1,L-0	L-1		
1	FLOAT SWITCH		P00816-01	1	1		
2	BRACKET - FLOAT SW.		258597P01	1	1		
3	PACKING		474862R01	1	1		
4	SPACER(A) - FLOAT SW.		485043P01	1	1		
5	T2 TRUSS HEAD SCREW		FST0412S0	2	2		
6	SPACER(B) - FLOAT SW.		485044P01	1	1		



HA

MODEL: KMD-410MAJ		TITLE: L. ACCESSORIES					
INDEX NO.	DESCRIPTION	MATERIAL OR MODEL NUMBER	PART NUMBER	REQ'D NUMBER			
				H-1,L-0	L-1		
1	INSTRUCTION MANUAL		L1F129101	1	1		
2	UNIVERSAL BRACE		473048M01	2	2		
3	HEX HEAD BOLT W/WASHER [SW]		FBK0512S0	2	2		



HA

MODEL: KMD-410MAJ		TITLE: M. OPTIONAL PARTS					
INDEX NO.	DESCRIPTION	MATERIAL OR MODEL NUMBER	PART NUMBER	REQ'D NUMBER			
				H-1,L-0	L-1		
1	SPACER(B)-FLOAT SW		485044P01	1	1		