



HOSHIZAKI

Parts List

Modular Crescent Cuber

Models

KMD-901MAH

KMD-901MWH(-M)

KMD-901MRH



hoshizakiamerica.com

Number: 71276
Issued: 3-27-2008
Revised: 7-30-2021

CONTENTS

Auxiliary Code Breakdown.....	3
Note About Ordering Parts	3
A. Main Assembly & Refrigeration Circuit	4
KMD-901MAH	4
KMD-901MWH(-M).....	6
KMD-901MRH	9
B. Water Circuit	11
C. Control Box Assembly	14
D. Accessories & Labels	16

Auxiliary Codes

KMD-901MAH

S-0 December 2007
T-0 April 2008
U-1 May 2009
U-2 August 2009
V-0 January 2010

KMD-901MWH

S-0 December 2007
T-0 April 2008
U-0 January 2009
U-1 March 2009
U-2 October 2009
V-1 July 2010
A-0 November 2011
A-1 November 2011
B-0 February 2012
C-0 March 2013
C-1 October 2013
D-0 March 2014
E-0 January 2015
F-0 May 2016
G-0 January 2017
G-1 May 2017

KMD-901MRH

S-0 December 2007
T-0 April 2008
U-0 January 2009
U-1 February 2009
U-2 August 2009
V-0 January 2010
V-1 July 2010
A-0 January 2011
A-1 October 2011
B-0 January 2012
C-0 January 2013
D-0 January 2014
D-1 November 2014
E-0 January 2015
F-0 January 2016
G-0 January 2017
G-1 April 2017

KMD-901MWH-M

B-0 November 2012

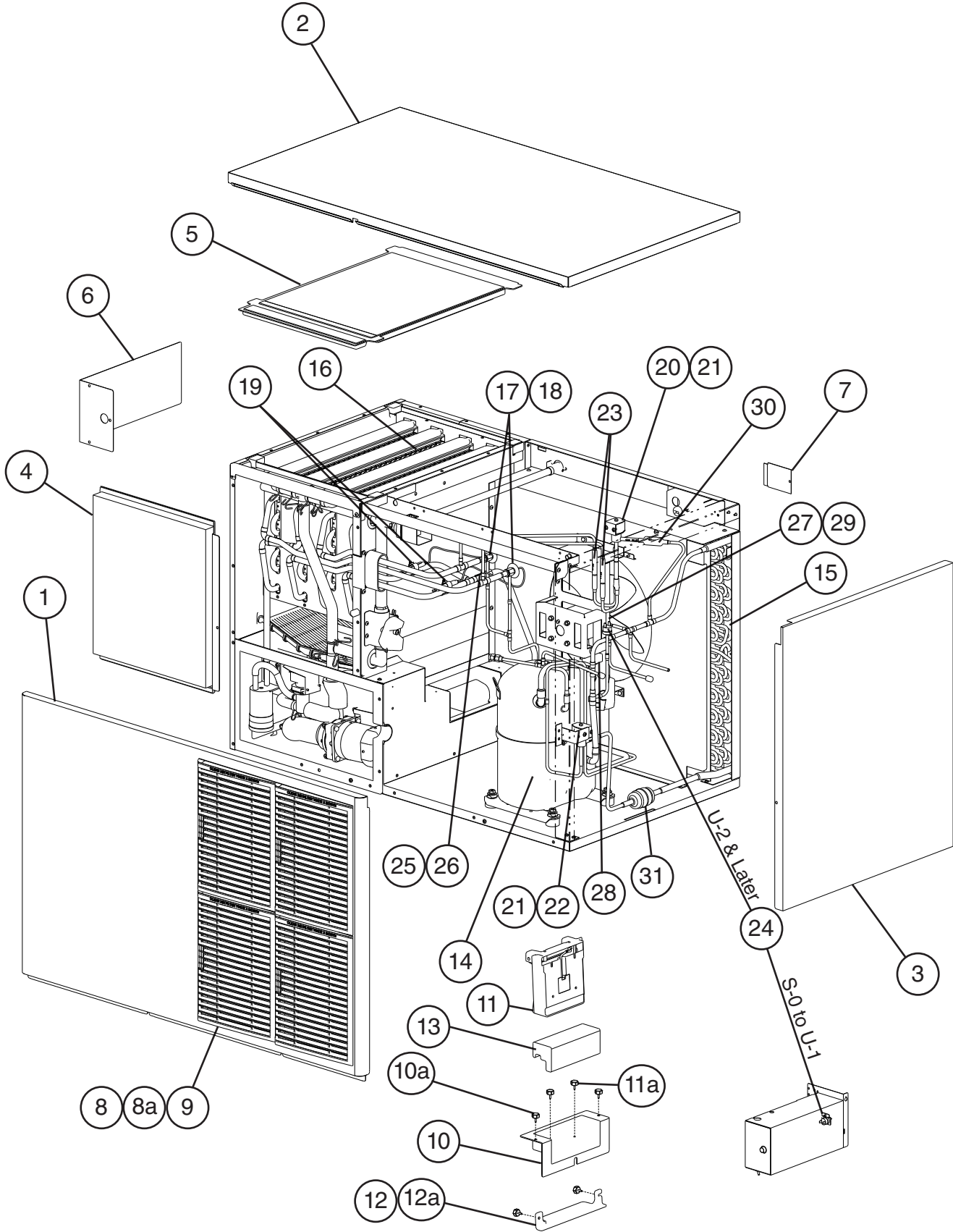
Auxiliary Code Breakdown

The auxiliary code is the first two characters in the serial number. The first character indicates the year. Years progress or regress in alphabetical order. The series runs from "A" through "V" and the letters "I" and "O" are skipped. The second character indicates significant part changes within a year. Base is "0" and this number advances for each change. In cases where there is a letter in parentheses, this designates the month. This is the last character in the serial number. The series runs from "(A)" through "(M)" and the letter "(I)" is skipped. This designation is only included when identifying a parts change within an auxiliary code.

Note About Ordering Parts

Most assemblies cannot be ordered as complete units; parts in the assemblies generally must be ordered separately.

A. Main Assembly & Refrigeration Circuit
KMD-901MAH
 S-0 to V-0

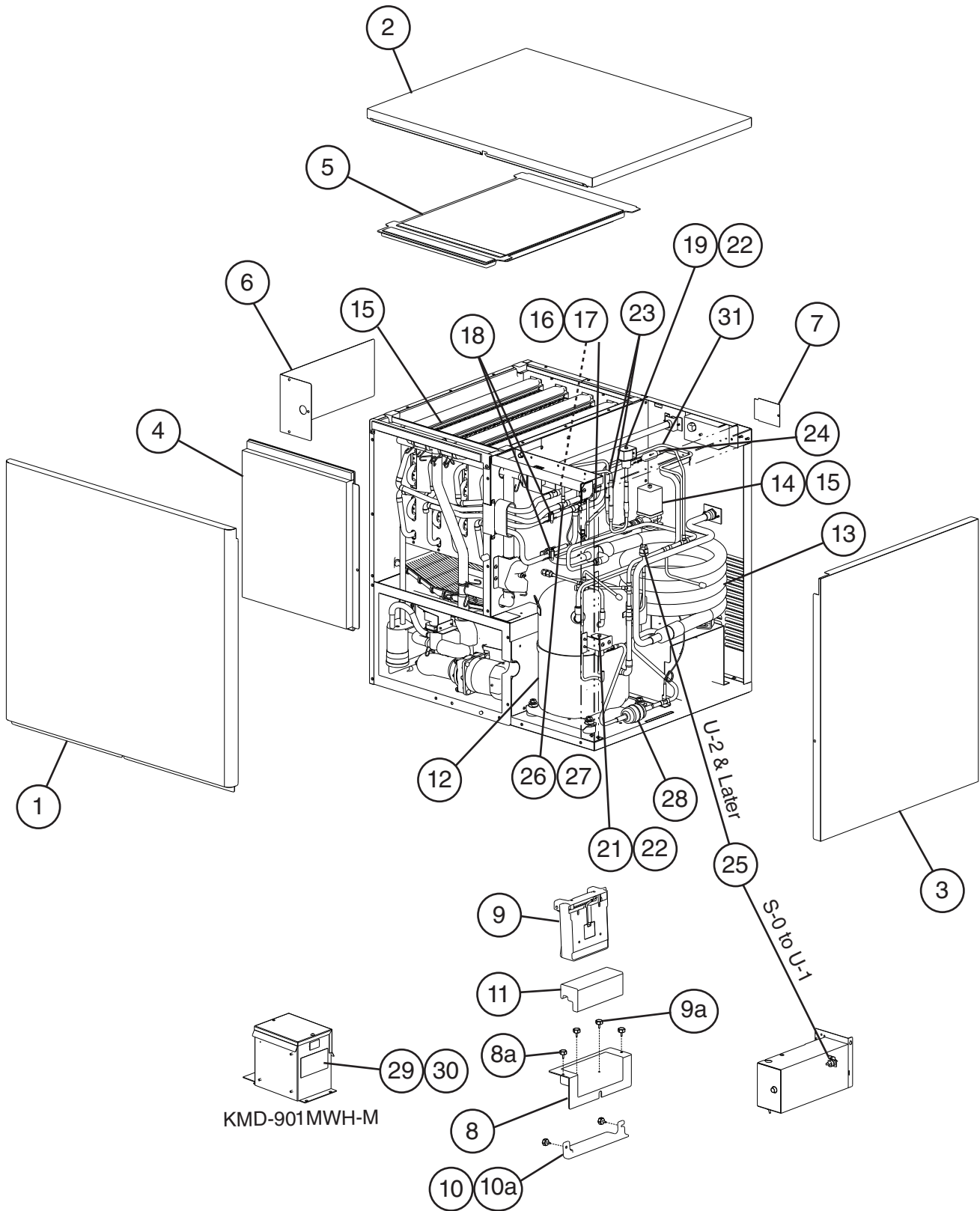


Title: A. Main Assembly & Refrigeration Circuit Model: KMD-901MAH												
Index No.	Description	Material or Model Number	Part Number	Required Number								
				S-0 to T-0	U-1	U-2 to V-0						
Main Assembly												
1	Front Panel		2A2932G01	1	1	1						
2	Top Panel		2A2931G01	1	1	1						
3	Right Side Panel		2A2800G01	1	1	1						
4	Front Insulation		3A2933G01	1	1	1						
5	Top Insulation		3A2934G01	1	1	1						
6	Control Box Cover		3A2371-01	1	1	1						
7	Junction Box Cover		433410-01	1	1	1						
8	Louver		1A0548-01	4	4	4						
8a	Push Retainer		4A2414-01	12	12	12						
9	Air Filter		2A2063G01	4	4	4						
10	Mechanical Bin Switch Cover		3A2642-01	1	1	1						
10a	Thumbscrew		415949G10	2	2	2						
11	Mechanical Bin Control		464574-01	1	-							
			2A4393G01		1	1						
11a	Thumbscrew		415949G10	2	2	2						
12	Mechanical Bin Switch Guide		3A2643-01	1	1	1						
12a	Thumbscrew		415949G10	2	2	2						
13	Mechanical Bin Switch Insulation		4A3068-01	1	1	1						
Refrigeration Circuit												
14	Compressor		4A4134-01	1	1	1						
15	Condenser		1A1432-01	1	1	1						
16	Evaporator		2A2781G02	1	1	1						
17	Thermostatic Expansion Valve		4A1414-01	2	2	2						
18	Thermostatic Expansion Valve Cover		3A0944-01	2	2	2						
19	Thermostatic Expansion Valve Bulb Holder		3A0107-01	2	2	2						
20	Hot Gas Valve Body		4A3978-01	1	1	1						
21	Valve Coil		4A3277-01	2	2	2						
22	Liquid Line Valve Body		4A3276-01	1	1	1						
23	Check Valve		4A1373-01	2	2	2						
24	High-Pressure Switch		433441-07	1	1	-						
			463180-04			1						
25	Thermistor	L=1050 mm	429006-03	1	1	1						
26	Thermistor Holder		427430-01	1	1	1						
27	Fan Motor		4A3158-01	1	1	1						
28	Fan Motor Capacitor	5.0MFD 250VAC	443192-02	1	1	1						
29	Fan Blade		4A4144-01	1	1	1						
30	Strainer		441569-02	1	1	1						
31	Drier		4A2666-01	1	1	1						

A. Main Assembly & Refrigeration Circuit

KMD-901MWH(-M)

S-0 to G-1

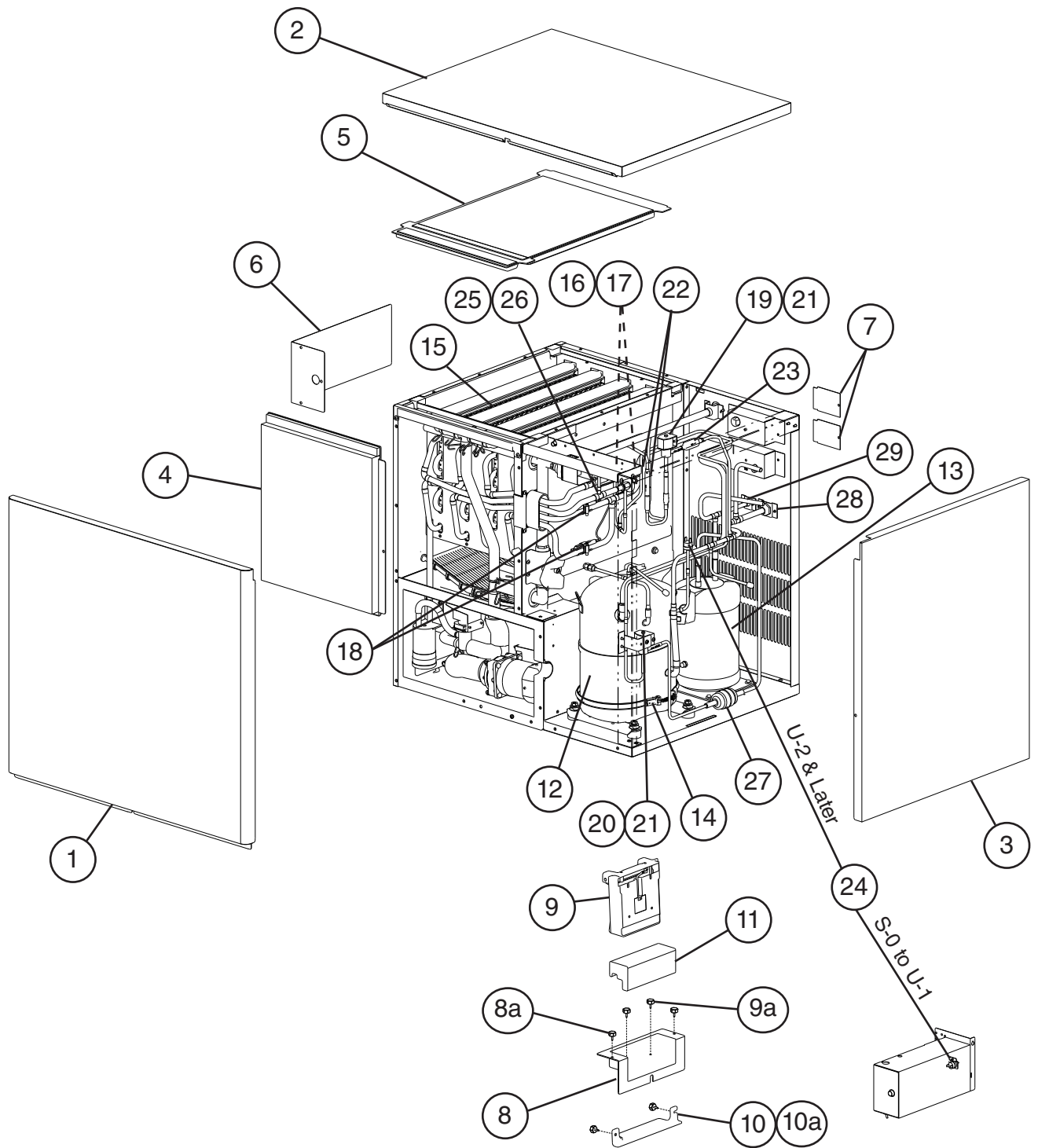


Title: A. Main Assembly & Refrigeration Circuit Model: KMD-901MWH(-M)												
Index No.	Description	Material or Model Number	Part Number	Required Number								
				S-0 to U-0	U-1	U-2 to A-0	A-1 to C-0	C-1 to G-1				
Main Assembly												
1	Front Panel		2A2956G01	1	1	1	1	1				
2	Top Panel		2A2955G01	1	1	1	1	1				
3	Right Side Panel		2A2800G01	1	1	1	1	1				
4	Front Insulation		3A2933G01	1	1	1	1	1				
5	Top Insulation		3A2934G01	1	1	1	1	1				
6	Control Box Cover	KMD-901MWH	3A2371-01	1	1	1	1	1				
		KMD-901MWH-M	3A2371-02				1					
7	Junction Box Cover	KMD-901MWH	433410-01	1	1	1	1	1				
		KMD-901MWH-M	433410-05				1					
8	Mechanical Bin Switch Cover		3A2642-01	1	1	1	1	1				
8a	Thumbscrew		415949G10	2	2	2	2	2				
9	Mechanical Bin Control		464574-01	1	-							
			2A4393G01		1	1	1	1				
9a	Thumbscrew		415949G10	2	2	2	2	2				
10	Mechanical Bin Switch Guide		3A2643-01	1	1	1	1	1				
10a	Thumbscrew		415949G10	2	2	2	2	2				
11	Mechanical Bin Switch Insulation		4A3068-01	1	1	1	1	1				
Refrigeration Circuit												
12	Compressor		4A1539-01	1	1	1	-					
			4A1539-03				1	1				
13	Condenser	KMD-901MWH	2A2359G04	1	1	1	1	-				
			3A7236-01					1				
		KMD-901MWH-M	3A7236-01				1					
14	Water Regulating Value	KMD-901MWH	4A0911-07	1	1	1	1	1				
		KMD-901MWH-M	4A1417-03				1					
15	Male Connector	KMD-901MWH	4A1087-01	1	1	1	1	1				
		KMD-901MWH-M	445180-01				1					
16	Evaporator		2A2781G02	1	1	1	1	1				
17	Thermostatic Expansion Valve		4A1414-01	2	2	2	2	2				
18	Thermostatic Expansion Valve Cover		3A0944-01	2	2	2	2	2				
19	Thermostatic Expansion Valve Bulb Holder		3A0107-01	2	2	2	2	2				
20	Hot Gas Valve Body		4A3978-01	1	1	1	1	1				
21	Liquid Line Valve Body		4A3276-01	1	1	1	1	1				
22	Valve Coil		4A3277-01	2	2	2	2	2				
23	Check Valve		4A1373-01	2	2	2	2	2				
24	Strainer		441569-02	1	1	1	1	1				
25	High-Pressure Switch		433441-05	1	1	-						
			463180-04			1	1	1				
26	Thermistor	L=1050 mm	429006-03	1	1	1	1	1				
27	Thermistor Holder		427430-01	1	1	1	1	1				
28	Drier		4A2666-01	1	1	1	1	1				

Title: A. Main Assembly & Refrigeration Circuit Model: KMD-901MWH(-M)

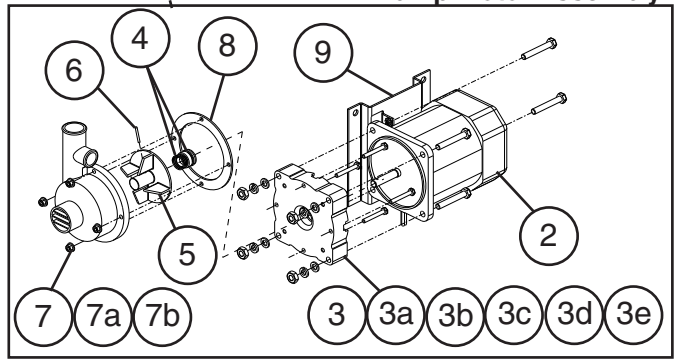
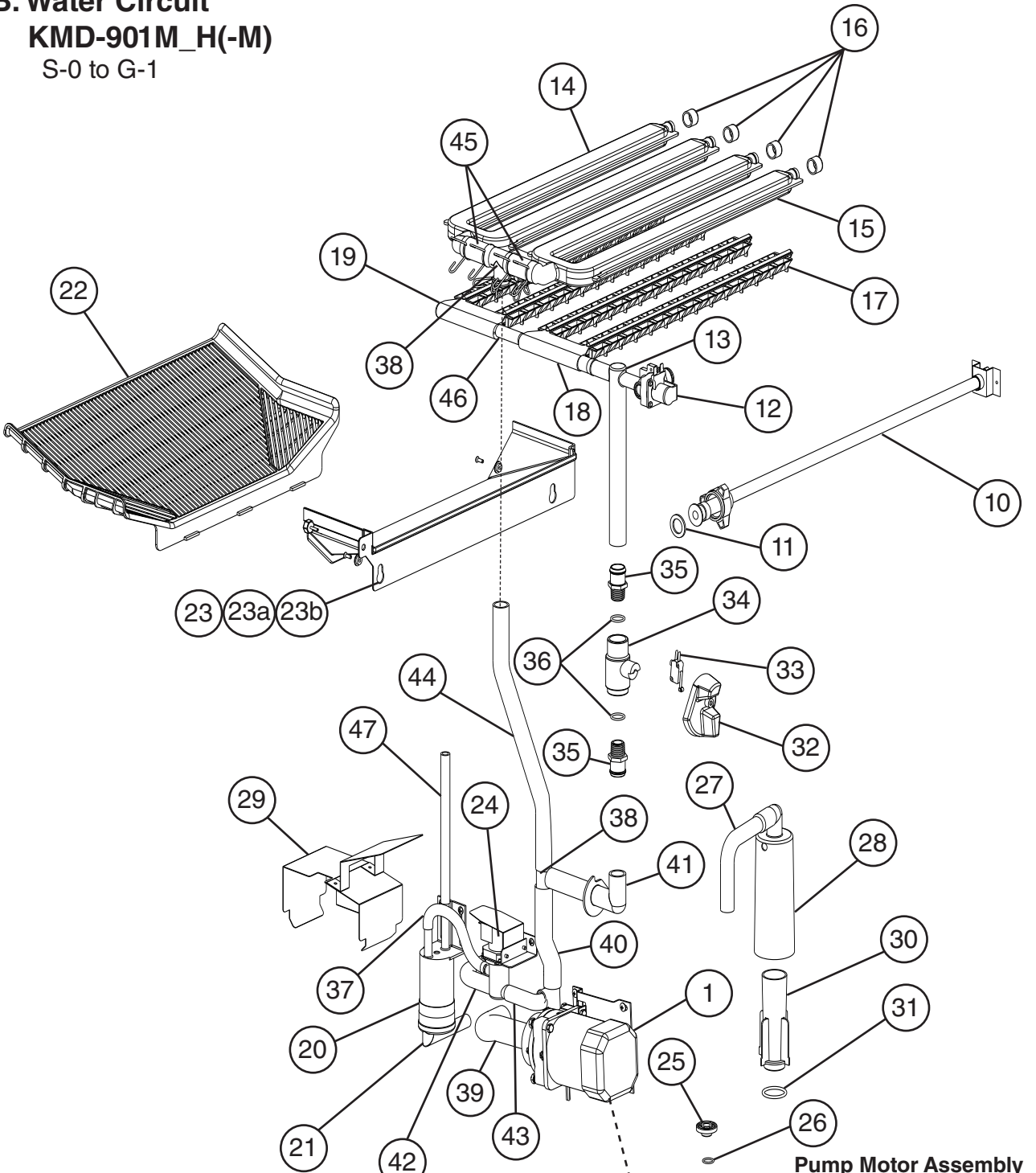
Index No.	Description	Material or Model Number	Part Number	Required Number									
				S-0 to U-0	U-1	U-2 to A-0	A-1 to C-0	C-1 to G-1					
29	Main Transformer	KMD-901MWH-M	4A0817-01				1						
30	Voltage Tap Switch	KMD-901MWH-M	4A1477-01				1						
31	Heat Exchanger		2A6869G01	1	1	1	1	1					

A. Main Assembly & Refrigeration Circuit
KMD-901MRH
 S-0 to G-1



Title: A. Main Assembly & Refrigeration Circuit Model: KMD-901MRH												
Index No.	Description	Material or Model Number	Part Number	Required Number								
				S-0 to U-0	U-1	U-2 to A-0	A-1 to G-1					
Main Assembly												
1	Front Panel		2A2956G01	1	1	1	1					
2	Top Panel		2A2955G01	1	1	1	1					
3	Right Side Panel		2A2800G01	1	1	1	1					
4	Front Insulation		3A2933G01	1	1	1	1					
5	Top Insulation		3A2934G01	1	1	1	1					
6	Control Box Cover		3A2371-01	1	1	1	1					
7	Junction Box Cover		433410-01	2	2	2	2					
8	Mechanical Bin Switch Cover		3A2642-01	1	1	1	1					
8a	Thumbscrew		415949G10	2	2	2	2					
9	Mechanical Bin Control		464574-01	1	-							
			2A4393G01		1	1	1					
9a	Thumbscrew		415949G10	2	2	2	2					
10	Mechanical Bin Switch Guide		3A2643-01	1	1	1	1					
10a	Thumbscrew		415949G10	2	2	2	2					
11	Mechanical Bin Switch Insulation		4A3068-01	1	1	1	1					
Refrigeration Circuit												
12	Compressor		4A1539-02	1	1	1	-					
			4A1539-03				1					
13	Receiver Tank		437652-01	1	1	1	1					
14	Crankcase Heater		4A5397-02				1					
15	Evaporator		2A2781G02	1	1	1	1					
16	Thermostatic Expansion Valve		4A1414-01	2	2	2	2					
17	Thermostatic Expansion Valve Cover		3A0944-01	2	2	2	2					
18	Thermostatic Expansion Valve Bulb Holder		3A0107-01	2	2	2	2					
19	Hot Gas Valve Body		4A3978-01	1	1	1	1					
20	Liquid Line Valve Body		4A3276-01	1	1	1	1					
21	Valve Coil		4A3277-01	2	2	2	2					
22	Check Valve		4A1373-01	2	2	2	2					
23	Strainer		441569-02	1	1	1	1					
24	High-Pressure Switch		433441-07	1	1	-						
			463180-04			1	1					
25	Thermistor	L=1050 mm	429006-03	1	1	1	1					
26	Thermistor Holder		427430-01	1	1	1	1					
27	Drier		4A2666-01	1	1	1	1					
28	Liquid Line Coupling		433751G01	1	1	1	1					
29	Discharge Line Coupling		434136G01	1	1	1	1					
30	Heat Exchanger		2A4270G01	1	1	1	1					

B. Water Circuit
KMD-901M_H(-M)
 S-0 to G-1

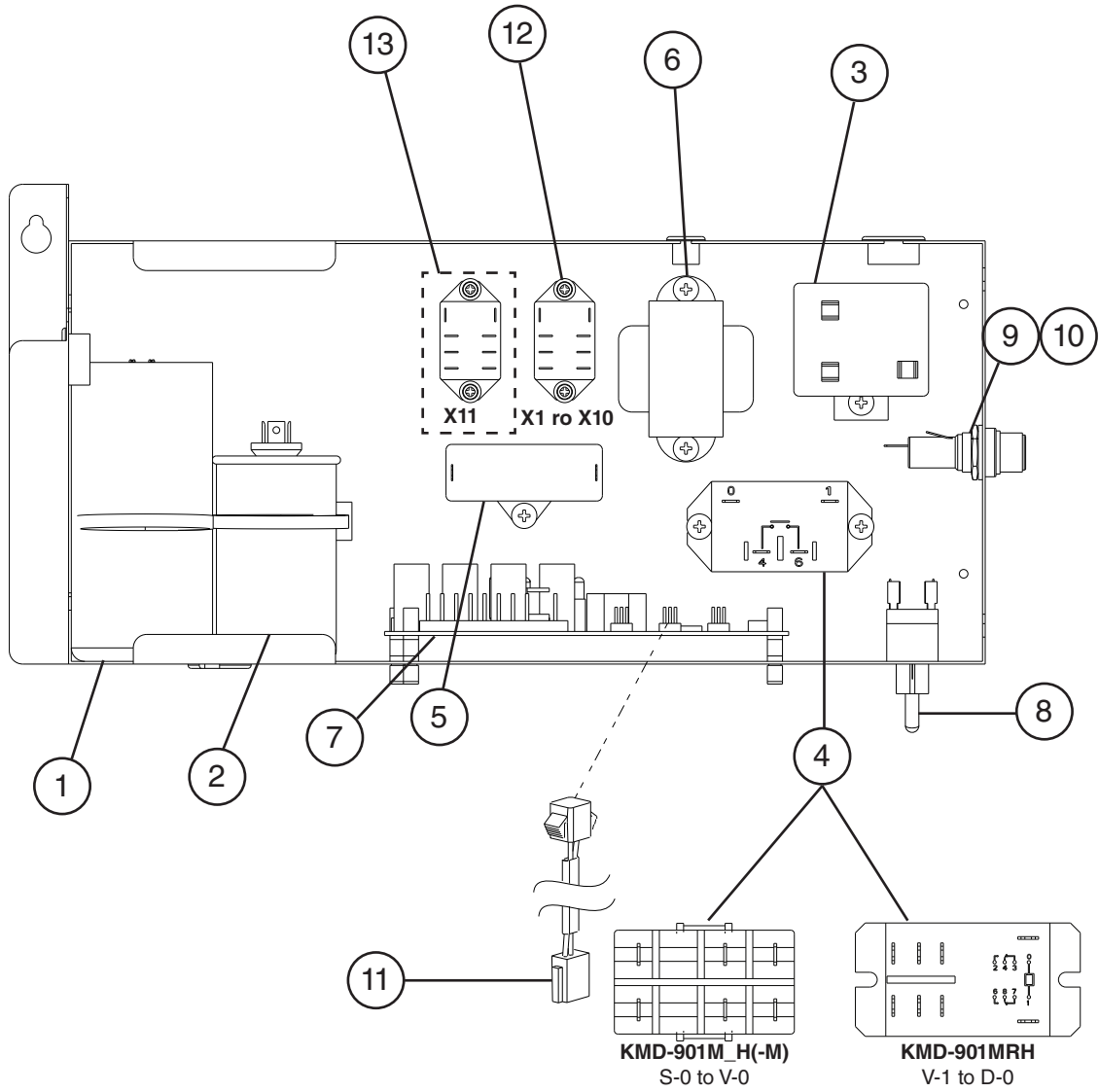


Title: B. Water Circuit Model: KMD-901M_H(-M)

Index No.	Description	Material or Model Number	Part Number	Required Number								
				S-0 to V-1	A-0 to G-0	G-1						
1	Pump Motor Assembly	HS-0178	2A2848A01	1	1	-						
2	Pump Motor		3A7682-01			1						
3	Pump Flange		215662-01	1	1	1						
3a	Hex Bolt	6x40	7B02-0640	4	4	4						
3b	Flat Washer		7W22-0600	4	4	4						
3c	Split Lock Washer		7L22-0600	4	4	4						
3d	Hex Nut		7N12-0600	4	4	4						
3e	Tooth Washer		7R22-0600	2	2	2						
4	Mechanical Seal		4A3820-01	1	1	1						
5	Impeller		428548-01	1	1	1						
6	Pin		4A0648-01	1	1	1						
7	Pump Housing		2A2762-01	1	1	1						
7a	Hex Bolt	4x30	7B02-0430	4	4	4						
7b	Hex Flange Nut		7J02-0400	4	4	4						
8	Packing		428547-01	1	1	1						
9	Pump Motor Bracket		323904-01	1	1	1						
10	Water Supply Pipe		4A0768G08	1	1	1						
11	Rubber Gasket		413854-03	1	1	1						
12	Inlet Water Valve		3U0111-02	1	1	1						
13	Water Valve Hose		3A2648-01	1	1	1						
14	Spray Tube A		2A2369-01	1	1	1						
15	Spray Tube B		2A2369-02	1	1	1						
16	Spray Tube Plug		3A2645-01	4	4	4						
17	Spray Guide		2A4282-03	4	4	4						
18	Water Supply Tube A		2A2370-01	1	1	1						
19	Water Supply Tube B		2A2370-02	1	1	1						
20	Float Switch		4A3624-01	1	1	1						
21	Float Switch Connector		426799-03	1	1	1						
22	Cube Guide A		1A0842-01	1	1	1						
23	Cube Guide B		1A0781-01	1	1	1						
23a	Thumbscrew		415949G10	1	1	1						
23b	Collar		435269-01	2	2	2						
24	Drain Valve		4A5447-01	1	1	1						
25	Drain Plug		309246-01	1	1	1						
26	O-Ring		7611-P015	1	1	1						
27	Overflow Drain Hose		4A3003-01	1	1	1						
28	Overflow Cap		321002-01	1	1	1						
29	Water Shield		3A2725G01	1	1	1						
30	Overflow Pipe		430722-10	1	1	1						
31	O-Ring		4A1234-01	1	1	1						
32	Cleaning Valve Handle		215383-01	1	1	1						
33	Cleaning Valve Microswitch		4A2546-01	1	1	1						
34	Cleaning Valve Ball Valve		439293-01	1	1	1						
35	Cleaning Valve Male Adapter		325826-01	2	2	2						
36	Cleaning Valve O-Ring		7611-P018	2	Replaced with Thread Sealant Tape							
37	Float Switch Hose		3A2647-01	1	1	1						

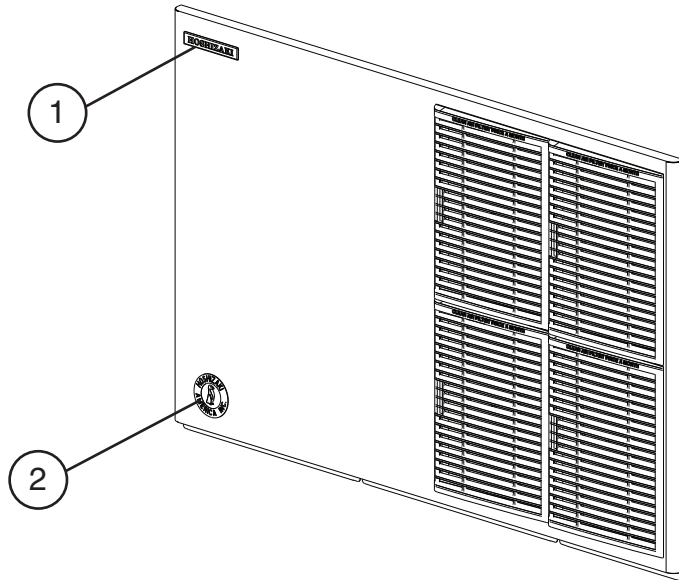
Title: B. Water Circuit Model: KMD-901M_H(-M)											
Index No.	Description	Material or Model Number	Part Number	Required Number							
				S-0 to V-1	A-0 to G-0	G-1					
38	Distributor (Tee)		432426-01	2	2	2					
39	Suction Hose		4A3001-01	1	1	1					
40	Discharge Hose		3A2646-01	1	1	1					
41	Bypass Hose		439237-03	1	1	1					
42	Drain Hose		4A3002-01	1	1	1					
43	Pump Motor Drain Hose		4A3044-01	1	1	1					
44	Vinyl Hose	L=358 mm	7716-2025	1	1	1					
45	Vinyl Hose	L=63 mm	7716-2025	2	2	2					
46	Vinyl Hose	L=47 mm	7716-1519	1	1	1					
47	Silicone Hose	L=200 mm	773013896	1	1	1					
Hose Clamps											
	Hose Clamp	27 mm	427443-08	2	2	2					
	Hose Clamp	25 mm	427443-03	9	9	9					
	Hose Clamp	20 mm	427443-06	3	3	3					
	Hose Clamp	18 mm	427443-05	1	1	1					
	Hose Clamp	17 mm	427443-04	3	3	3					

C. Control Box Assembly
KMD-901M_H(-M)
 S-0 to G-1



Title: C. Control Box Assembly Model: KMD-901M_H(-M)											
Index No.	Description	Material or Model Number	Part Number	Required Number							
				S-0 to V-0	V-1 to D-0	D-1 to G-1					
1	Start Capacitor	145-174MFD, 220 VAC	3A0076-11	1	1	1					
2	Run Capacitor	30MFD, 370 VAC	3A2005-03	1	1	1					
3	Start Relay		4A1107-13	1	1	1					
4	Magnetic Contactor	KMD-901M_H(-M)	428393-01	1	-						
	Compressor Relay	KMD-901MAH KMD-901MWH(-M)	4A3140-01		1	1					
		KMD-901MRH	4A5096-01		1	-					
			4A3140-01				1				
5	Pump Motor Capacitor	10MFD, 250 VAC	443192-01	1	1	1					
6	Control Transformer		3A0172-01	1	1	1					
7	Control Board		2A3792-01	1	1	1					
8	Control Switch		443119-01	1	1	1					
9	Fuse Holder		4A5443-01	1	1	1					
10	Fuse	AGC-10A, 250 VAC	4A0893-07	2	2	2					
11	Wire Harness	L=90 mm	4A2200G04	1	1	1					
12	Service Relay (X10)	KMD-901M_H (X1 or X10)	406132-07	1	1	1					
13	Crankcase Heater Relay (X11)	KMD-901MRH (X11)				1					

D. Accessories & Labels
KMD-901M_H(-M)
 S-0 to G-1



Title: D. Accessories & Labels Model: KMD-901M_H(-M)											
Index No.	Description	Material or Model Number	Part Number	Required Number							
				S-0 to G-1							
1	Hoshizaki Emblem Label		4A0560-01	1							
2	Penguin Label		4A0526-01	1							
3	Universal Brace		4A0363-01	2							
3a	Hex Bolt	5×12, SS	7B02-0512	4							